



US00D765299S

(12) **United States Design Patent**  
**Ladnier**

(10) **Patent No.:** **US D765,299 S**

(45) **Date of Patent:** **\*\* Aug. 30, 2016**

(54) **LIGHTING FIXTURE**

(71) Applicant: **DELTA T CORPORATION**,  
Lexington, KY (US)

(72) Inventor: **David Ladnier**, Versailles, KY (US)

(73) Assignee: **DELTA T CORPORATION**,  
Lexington, KY (US)

(\*\*) Term: **14 Years**

(21) Appl. No.: **29/509,369**

(22) Filed: **Nov. 17, 2014**

(51) **LOC (10) Cl.** ..... **26-03**

(52) **U.S. Cl.**  
USPC ..... **D26/76**

(58) **Field of Classification Search**  
USPC ..... D26/24, 39, 59, 67, 68, 69, 70, 71, 72,  
D26/74, 76, 77, 80, 88, 89, 98, 138, 139,  
D26/140, 141, 142, 151, 152  
CPC ..... F24S 4/001; F24S 4/005; F24S 8/00;  
F24S 8/04; F24S 8/043; F24S 8/046; F24S  
8/06-8/065; F24S 13/02; F24S 13/04; F24S  
13/06

See application file for complete search history.

(56) **References Cited**

**U.S. PATENT DOCUMENTS**

D186,952 S \* 12/1959 Akely et al. .... D26/76  
D188,436 S \* 7/1960 Budke et al. .... D26/77

D596,778 S \* 7/2009 Yamazato ..... D26/76  
D663,882 S \* 7/2012 Muraishi ..... D26/76  
D703,858 S \* 4/2014 Miller ..... D26/76  
D705,975 S \* 5/2014 Hedstrom ..... D26/76  
D705,976 S \* 5/2014 Hedstrom ..... D26/76  
D706,480 S \* 6/2014 Hedstrom ..... D26/76  
2006/0023445 A1 \* 2/2006 Haugaard ..... F21S 8/06  
362/225

\* cited by examiner

*Primary Examiner* — George D Kirschbaum

*Assistant Examiner* — Natasha Vujcic

(74) *Attorney, Agent, or Firm* — King & Schickli, PLLC

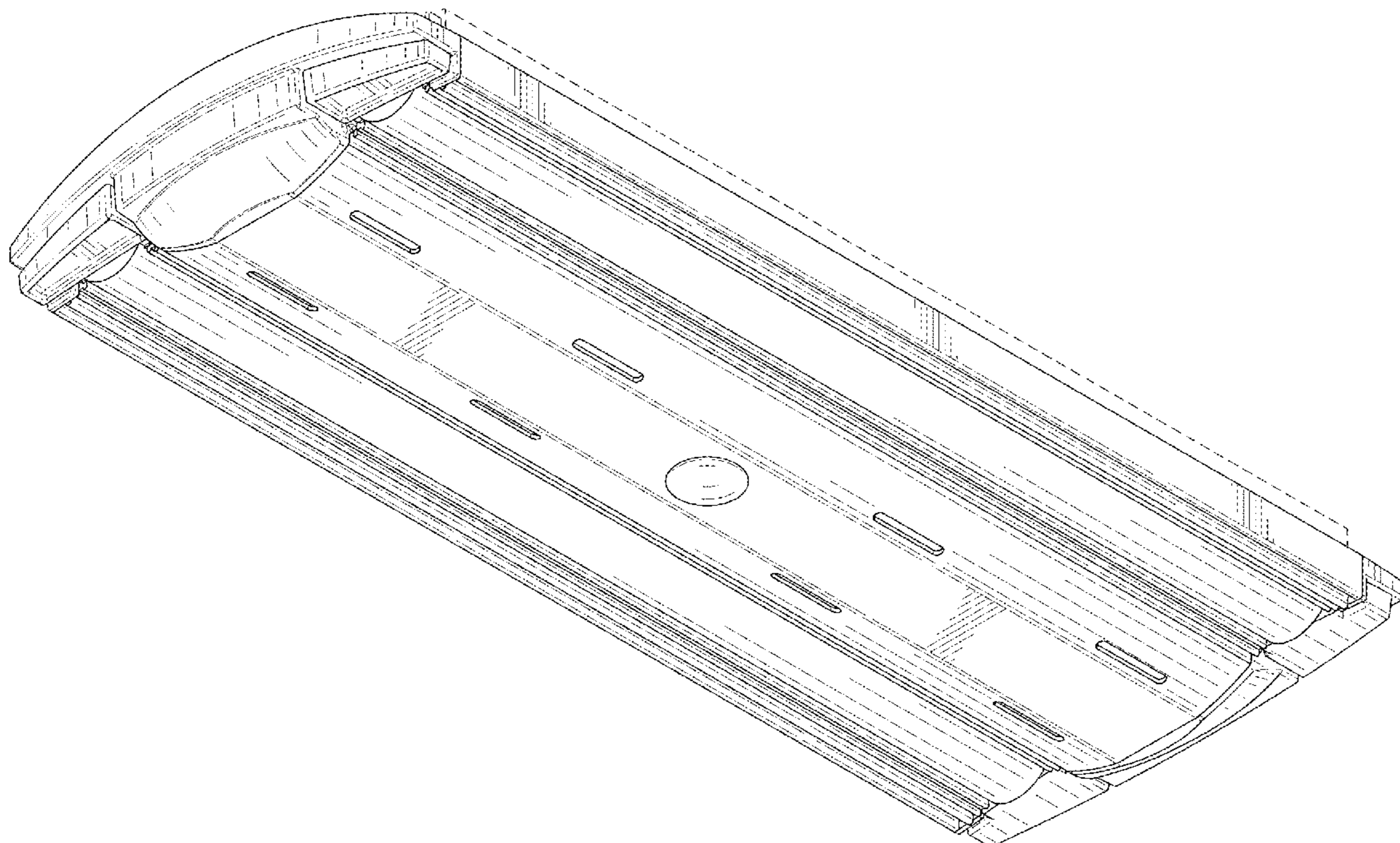
(57) **CLAIM**

The ornamental design for a lighting fixture, as shown.

**DESCRIPTION**

FIG. 1 is a bottom perspective view of the lighting fixture;  
FIG. 2 is a top perspective view of the lighting fixture;  
FIG. 3 is a left side view of the lighting fixture;  
FIG. 4 is a front view of the lighting fixture;  
FIG. 5 is a right side view of the lighting fixture;  
FIG. 6 is a top view of the lighting fixture; and,  
FIG. 7 is a bottom view of the lighting fixture.  
The broken lines in the drawings illustrate portions of the  
housing for lighting fixture which form no part of the  
claimed design.

**1 Claim, 5 Drawing Sheets**



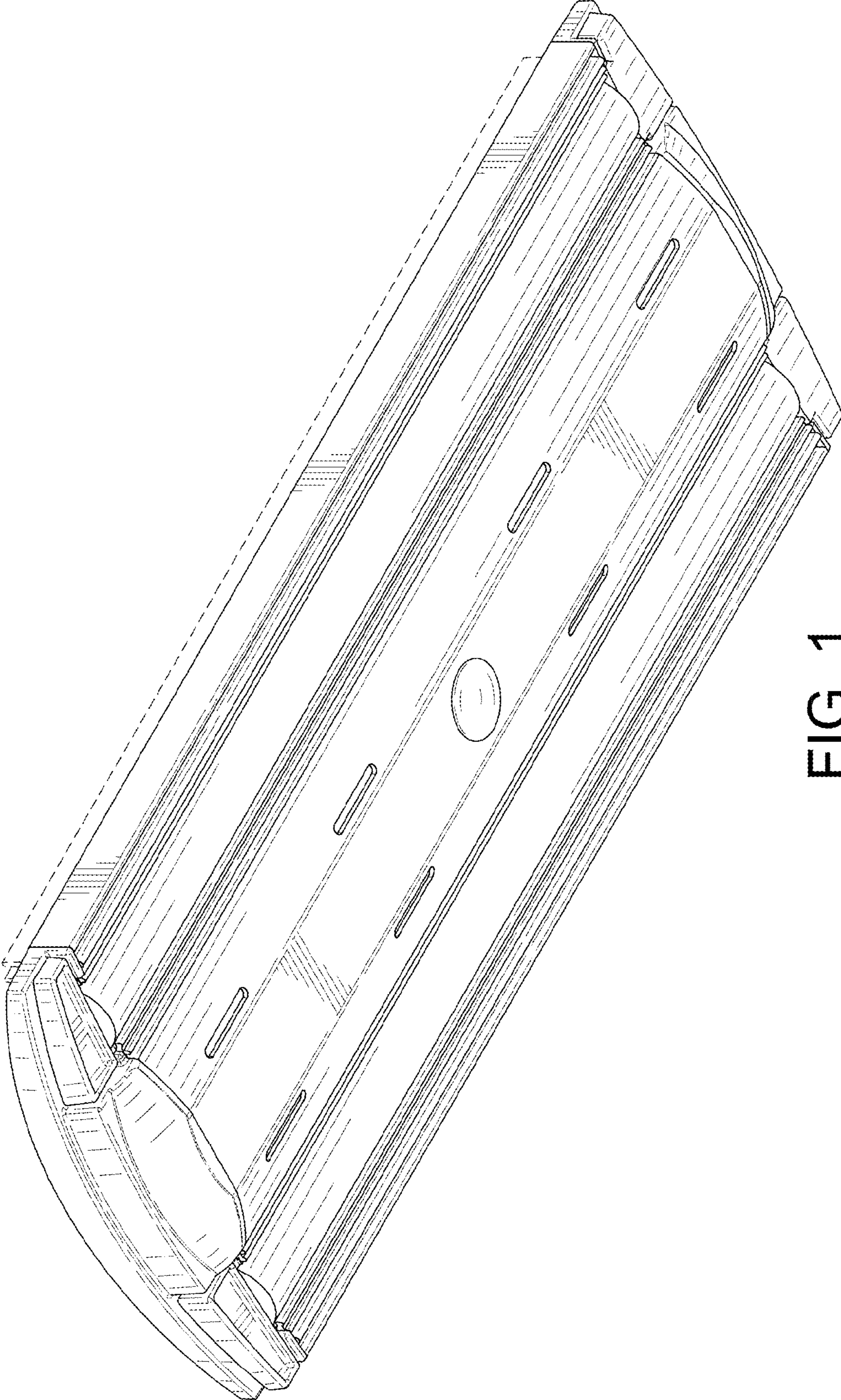


FIG. 1

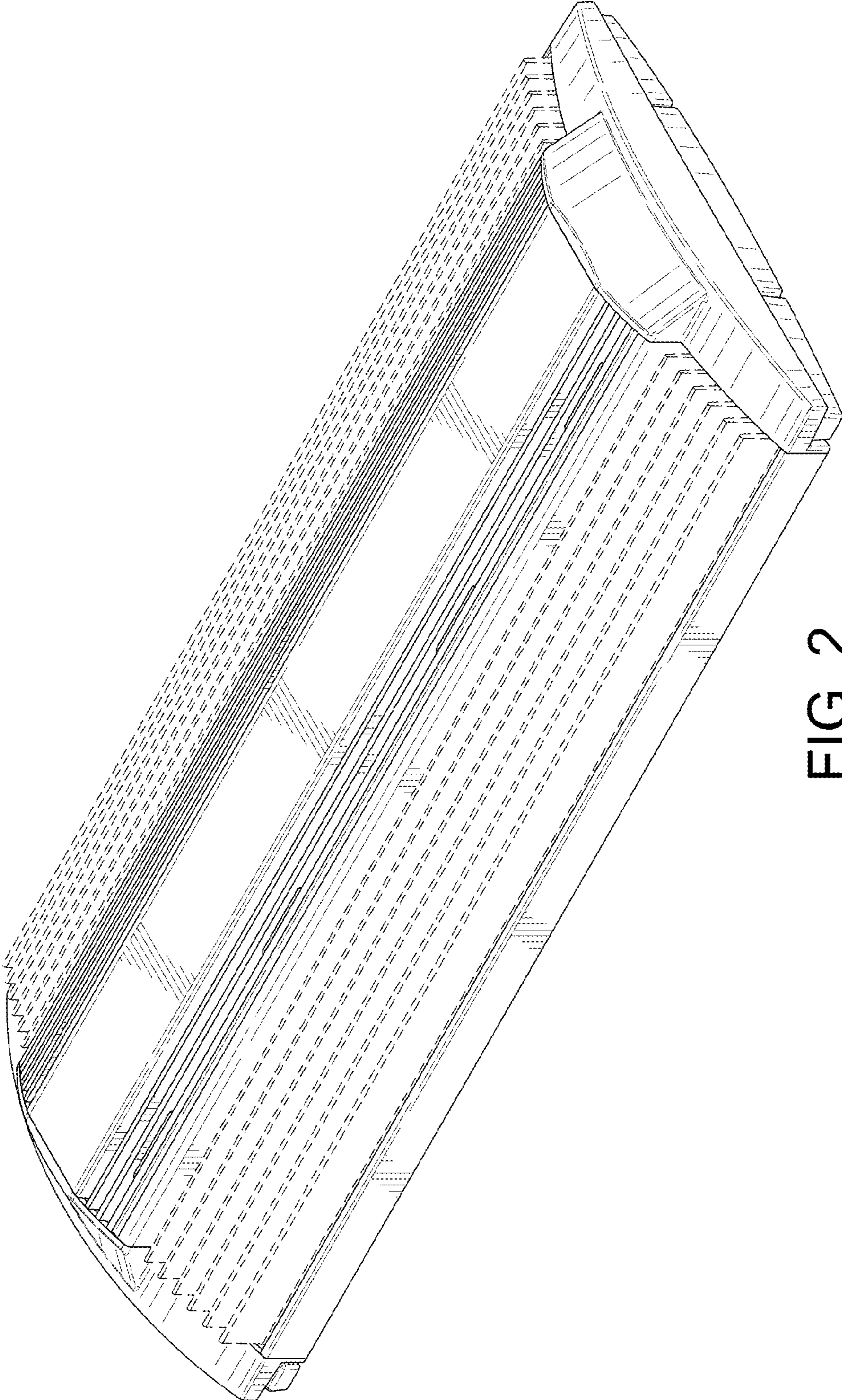


FIG. 2

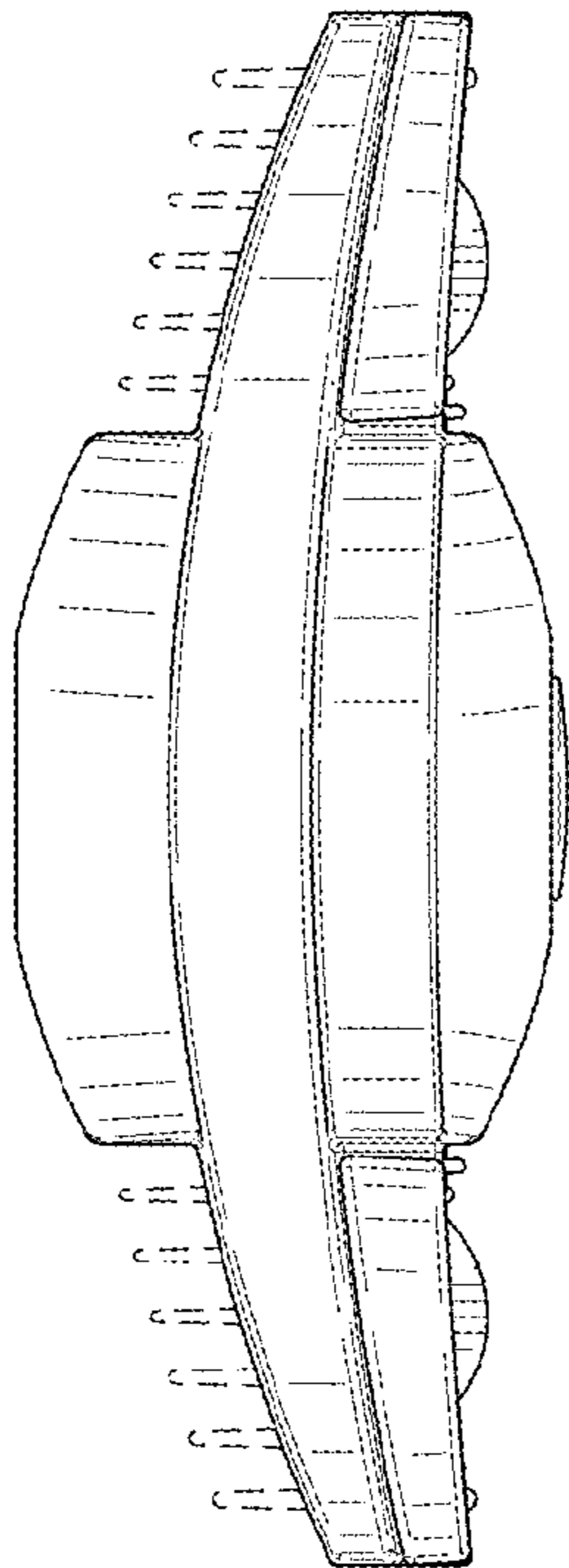


FIG. 3

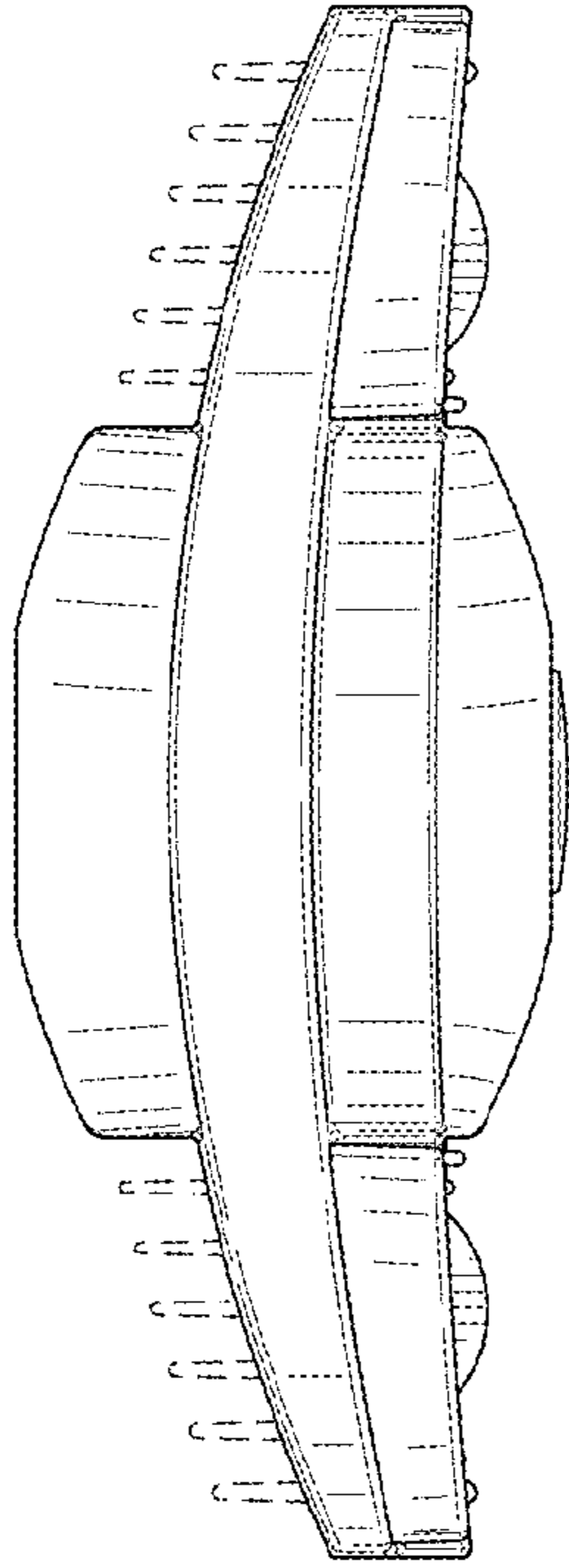


FIG. 5

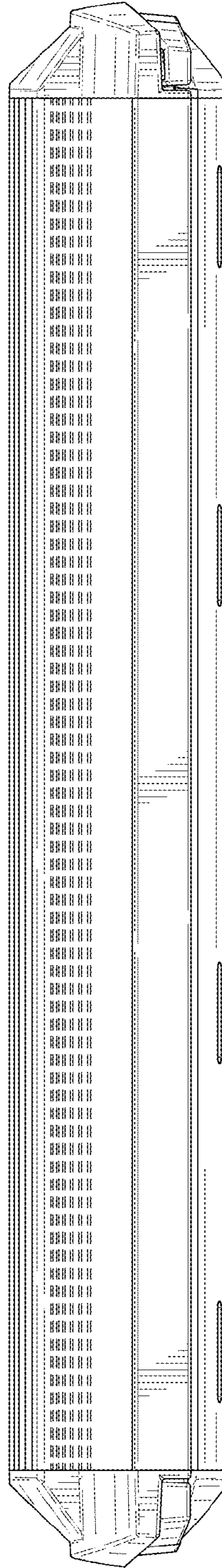


FIG. 4

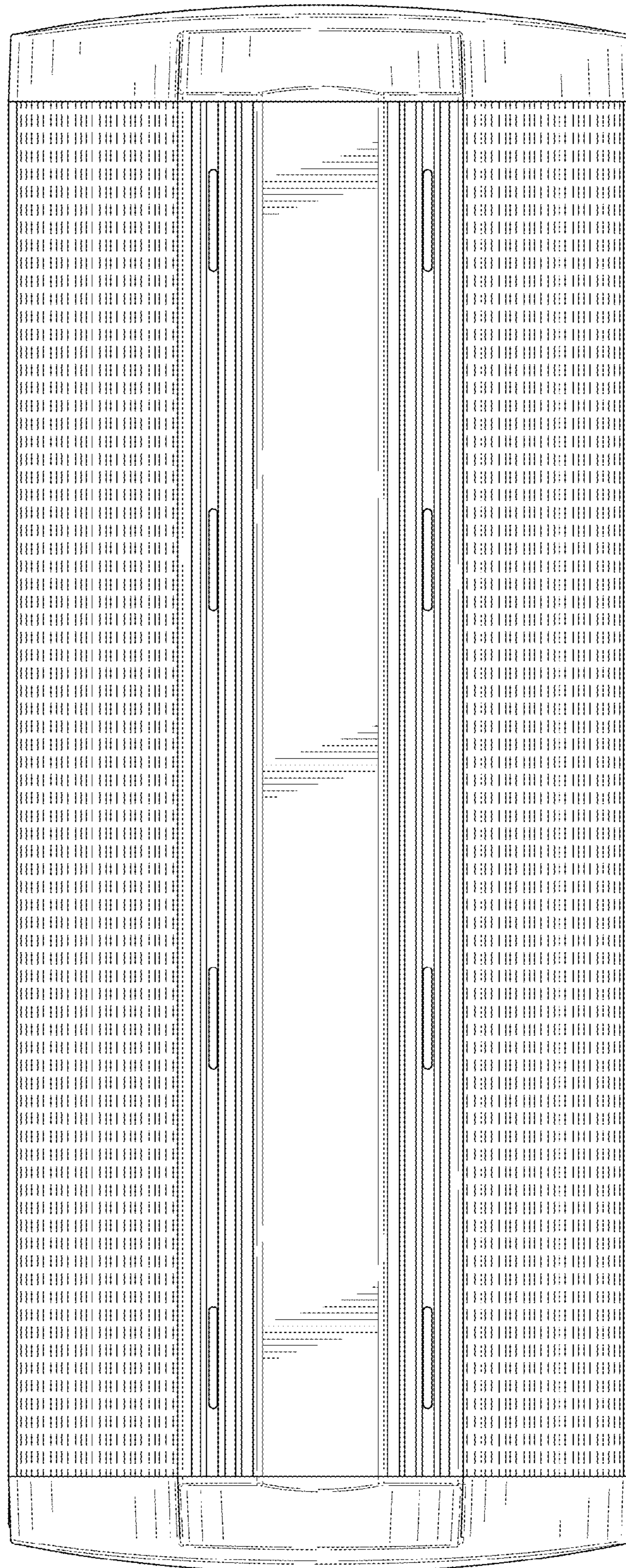


FIG. 6

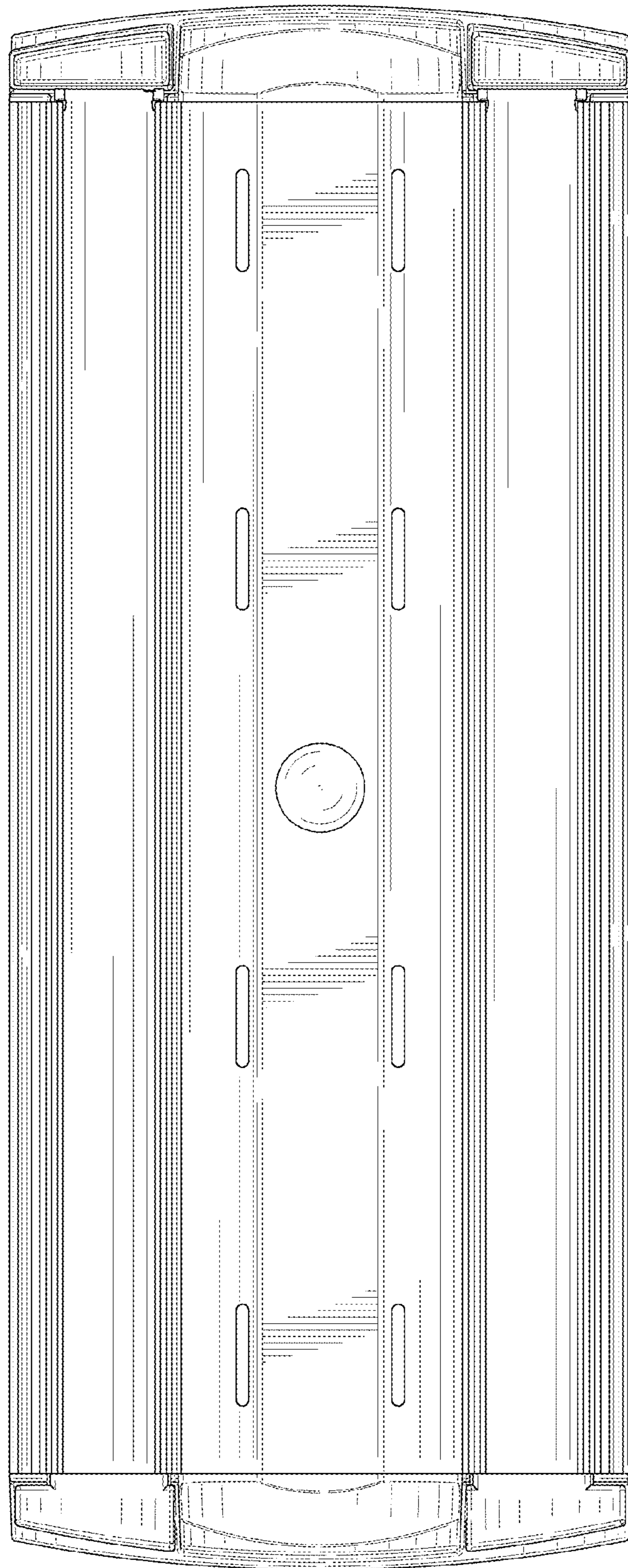


FIG. 7