



US00D765297S

(12) **United States Design Patent** (10) **Patent No.:** **US D765,297 S**  
**Yang** (45) **Date of Patent:** **\*\* Aug. 30, 2016**

(54) **MOVABLE STREET LAMP**

(71) Applicant: **Shuli Yang**, Henan (CN)

(72) Inventor: **Shuli Yang**, Henan (CN)

(\*\*) Term: **15 Years**

(21) Appl. No.: **29/533,037**

(22) Filed: **Jul. 14, 2015**

(30) **Foreign Application Priority Data**

Jun. 12, 2015 (CN) ..... 2015 3 0192719

(51) **LOC (10) Cl.** ..... **26-05**

(52) **U.S. Cl.**  
USPC ..... **D26/71; D26/63**

(58) **Field of Classification Search**  
USPC ..... D26/63, 67-72, 92  
CPC ..... F21S 8/08; F21S 8/085; F21S 8/086;  
F21S 8/088; F21W 2111/02; F21W 2131/103;  
F21W 2131/107  
See application file for complete search history.

(56) **References Cited**

**U.S. PATENT DOCUMENTS**

D599,942 S *	9/2009	Zheng	.....	D26/71
D646,420 S *	10/2011	Chen	.....	D26/71
D674,950 S *	1/2013	Lueken	.....	D26/71
D675,768 S *	2/2013	Jurdana	.....	D26/71
D676,178 S *	2/2013	Akinrele	.....	D26/71

D676,589 S *	2/2013	Elam	.....	D26/71
D683,061 S *	5/2013	Ham	.....	D26/71
D694,935 S *	12/2013	Zheng	.....	D26/71
D695,438 S *	12/2013	Liu	.....	D26/71
D744,141 S *	11/2015	Bobel	.....	D26/63
2015/0345767 A1*	12/2015	Lee	.....	F21V 23/06 362/249.02
2015/0362172 A1*	12/2015	Gabriel	.....	F21V 33/0052 348/151
2016/0061428 A1*	3/2016	Nimma	.....	F21V 31/005 362/236

\* cited by examiner

*Primary Examiner* — Clare E Heflin

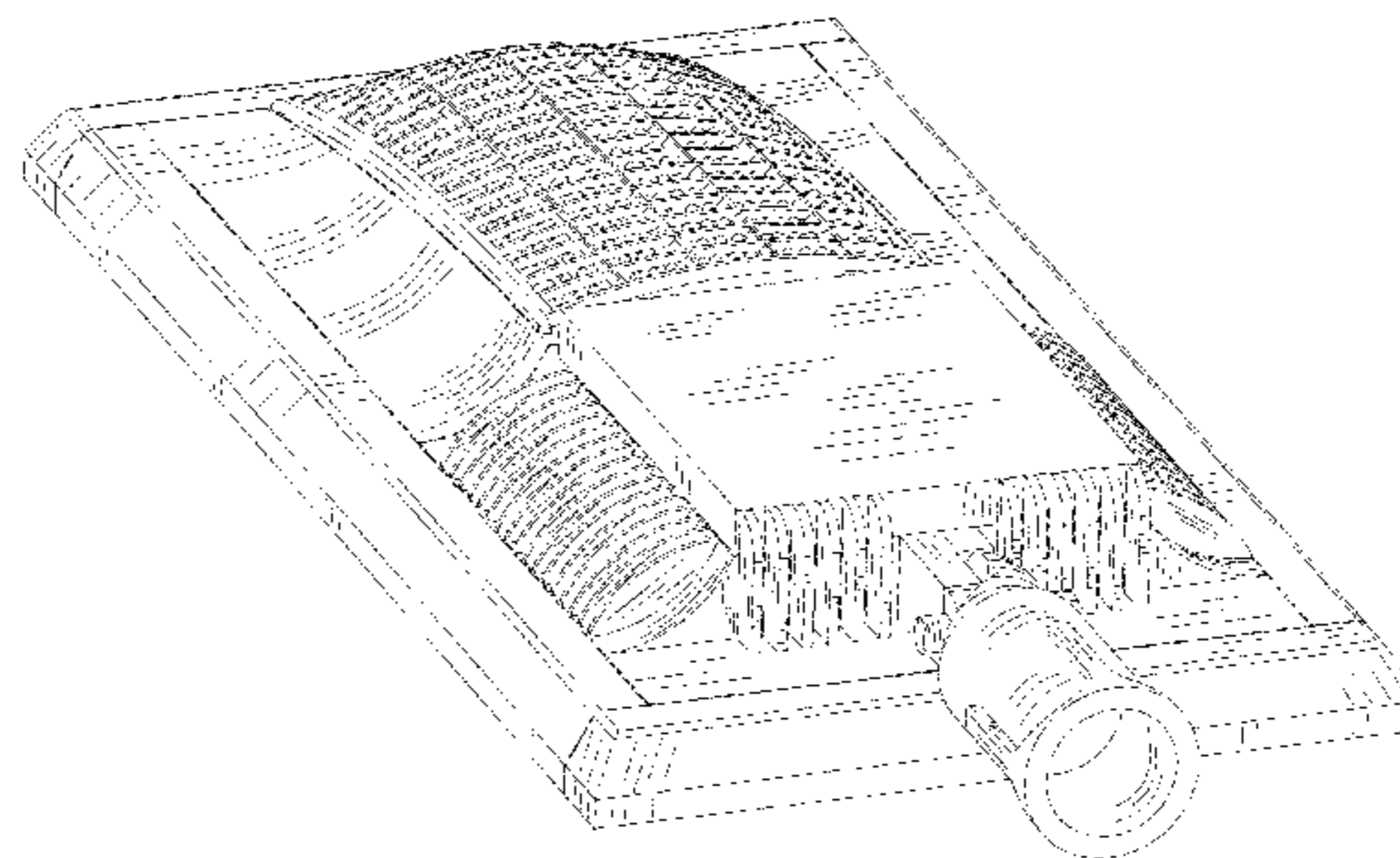
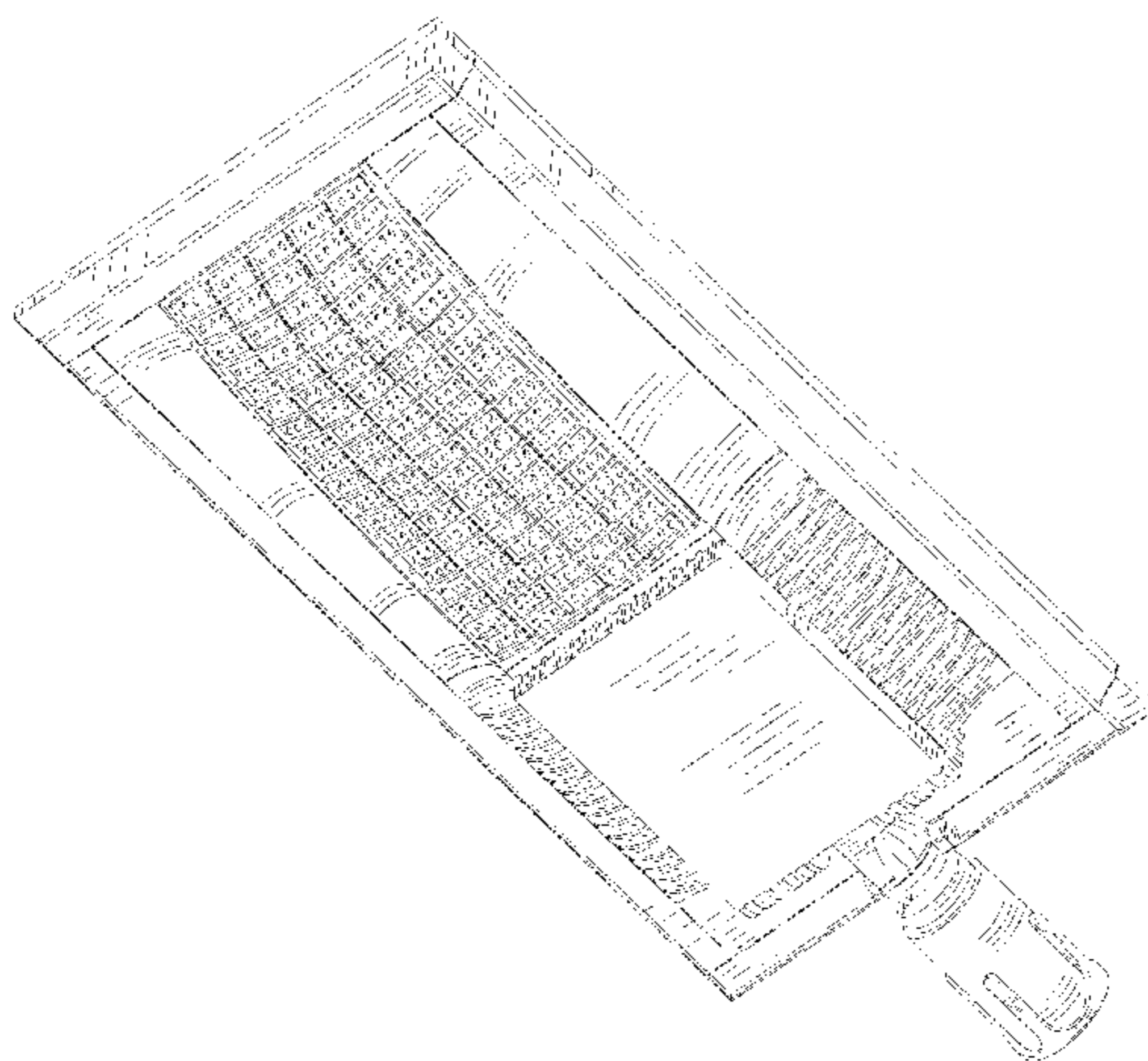
(57) **CLAIM**

The ornamental design for a movable street lamp, as shown and described.

**DESCRIPTION**

FIG. 1 is a front elevational view of a movable street lamp showing my new design;  
FIG. 2 is a rear elevational view thereof;  
FIG. 3 is a left side view thereof;  
FIG. 4 is a right side view thereof;  
FIG. 5 is a top plan view thereof;  
FIG. 6 is a bottom plan view thereof;  
FIG. 7 is a first perspective view thereof;  
FIG. 8 is a second perspective view thereof; and,  
FIG. 9 is a third perspective view thereof.

**1 Claim, 9 Drawing Sheets**



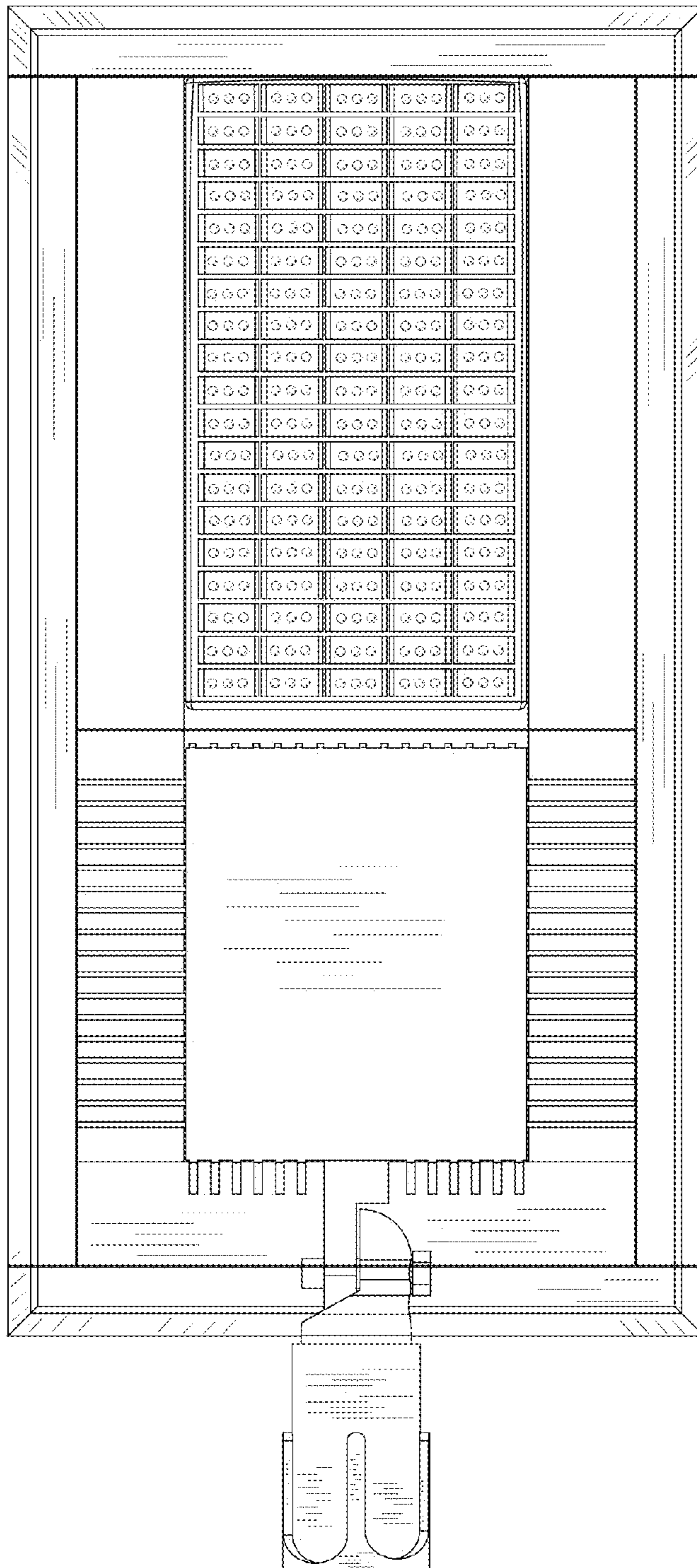


Fig. 1

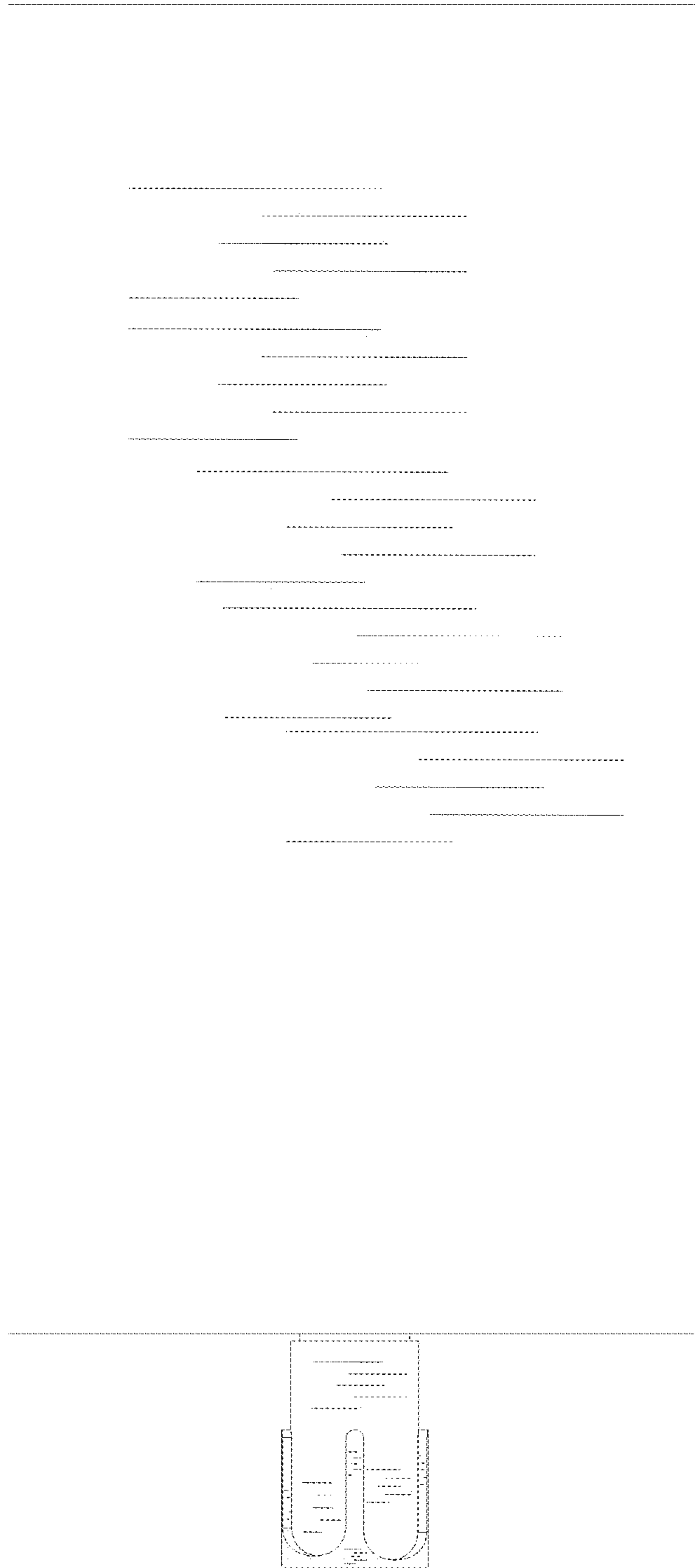


Fig. 2

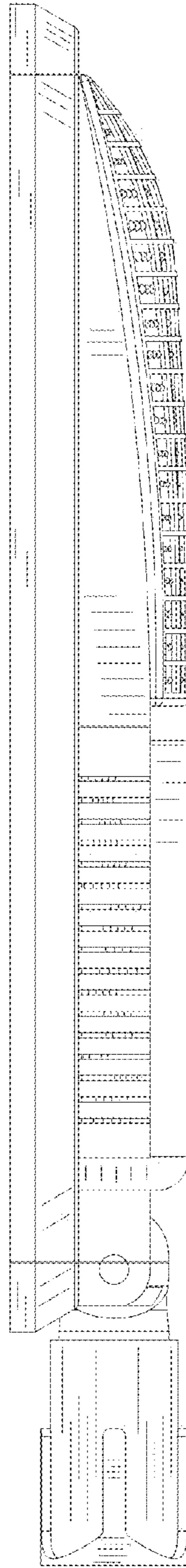


Fig. 3

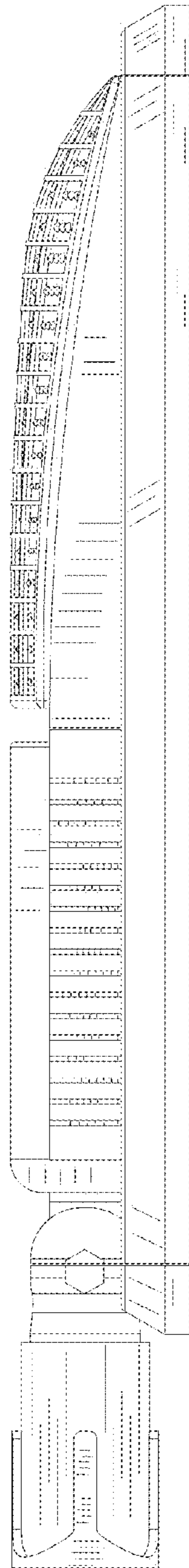


Fig. 4

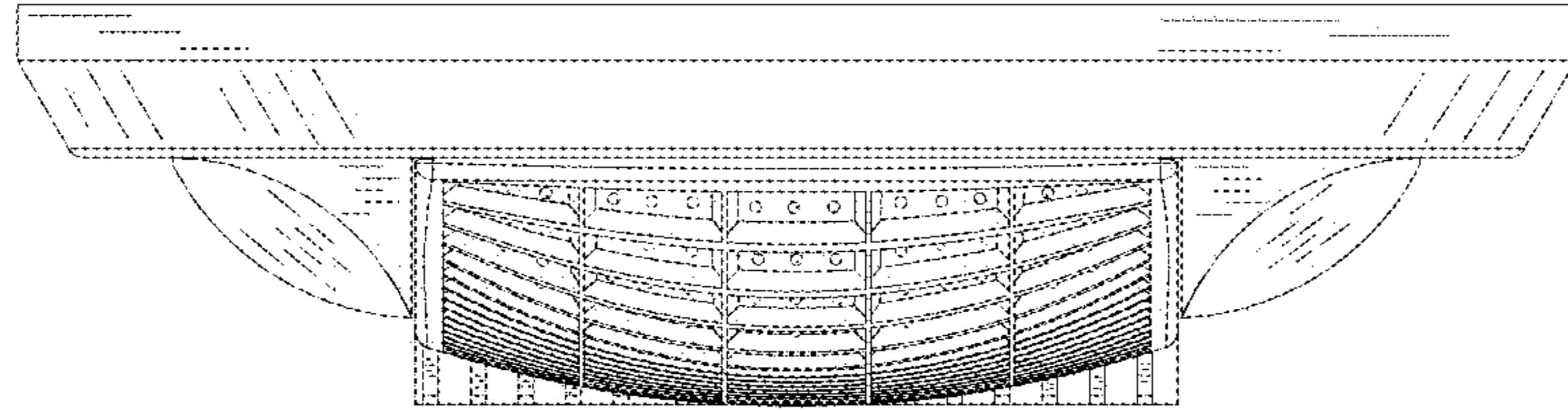


Fig. 5

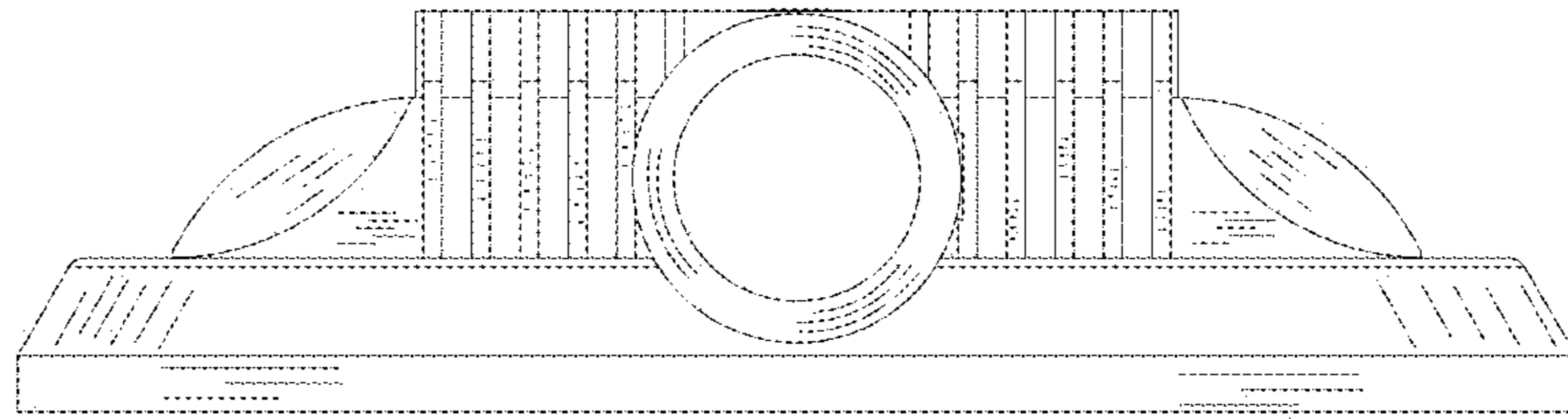


Fig. 6

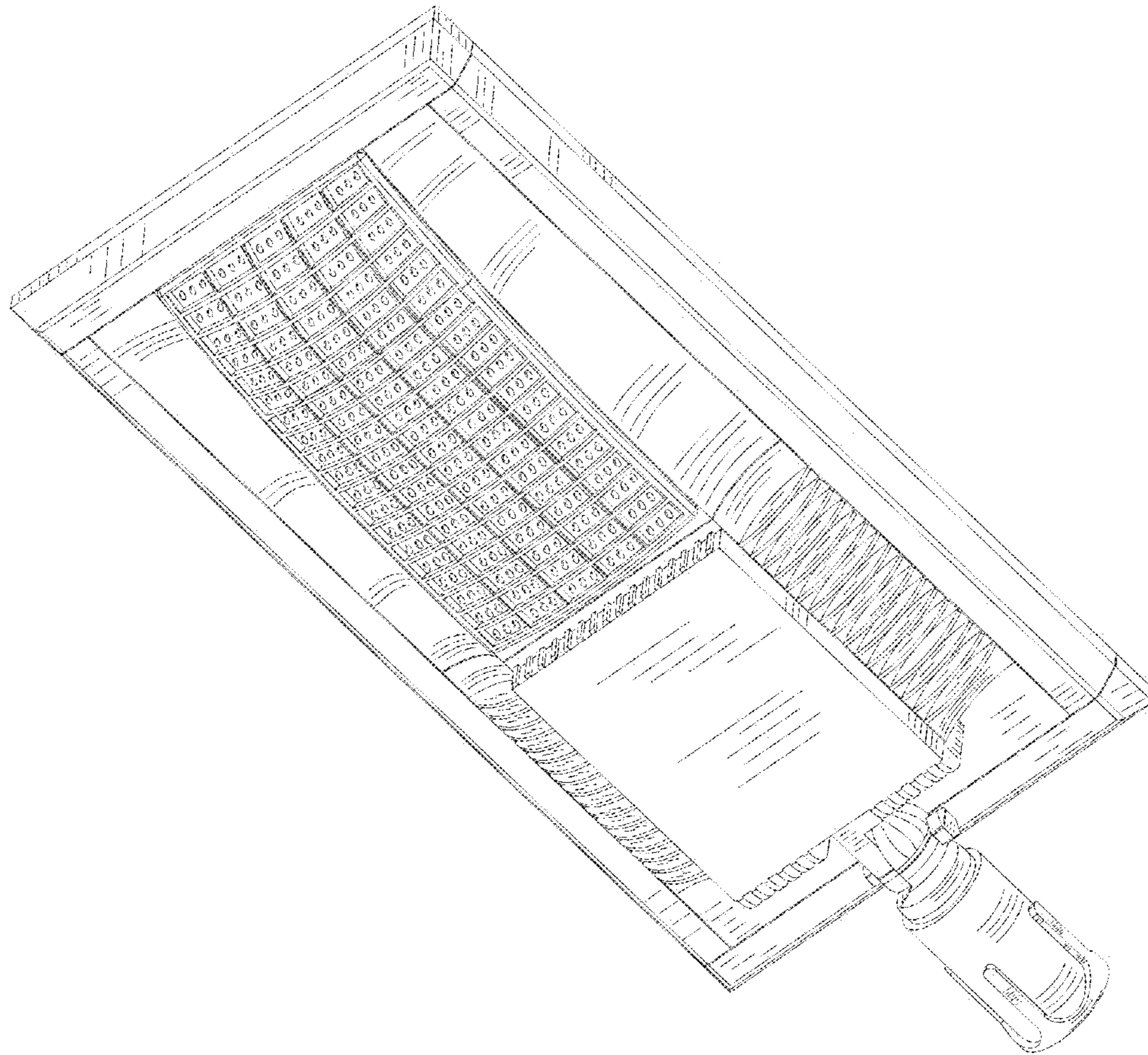


Fig. 7



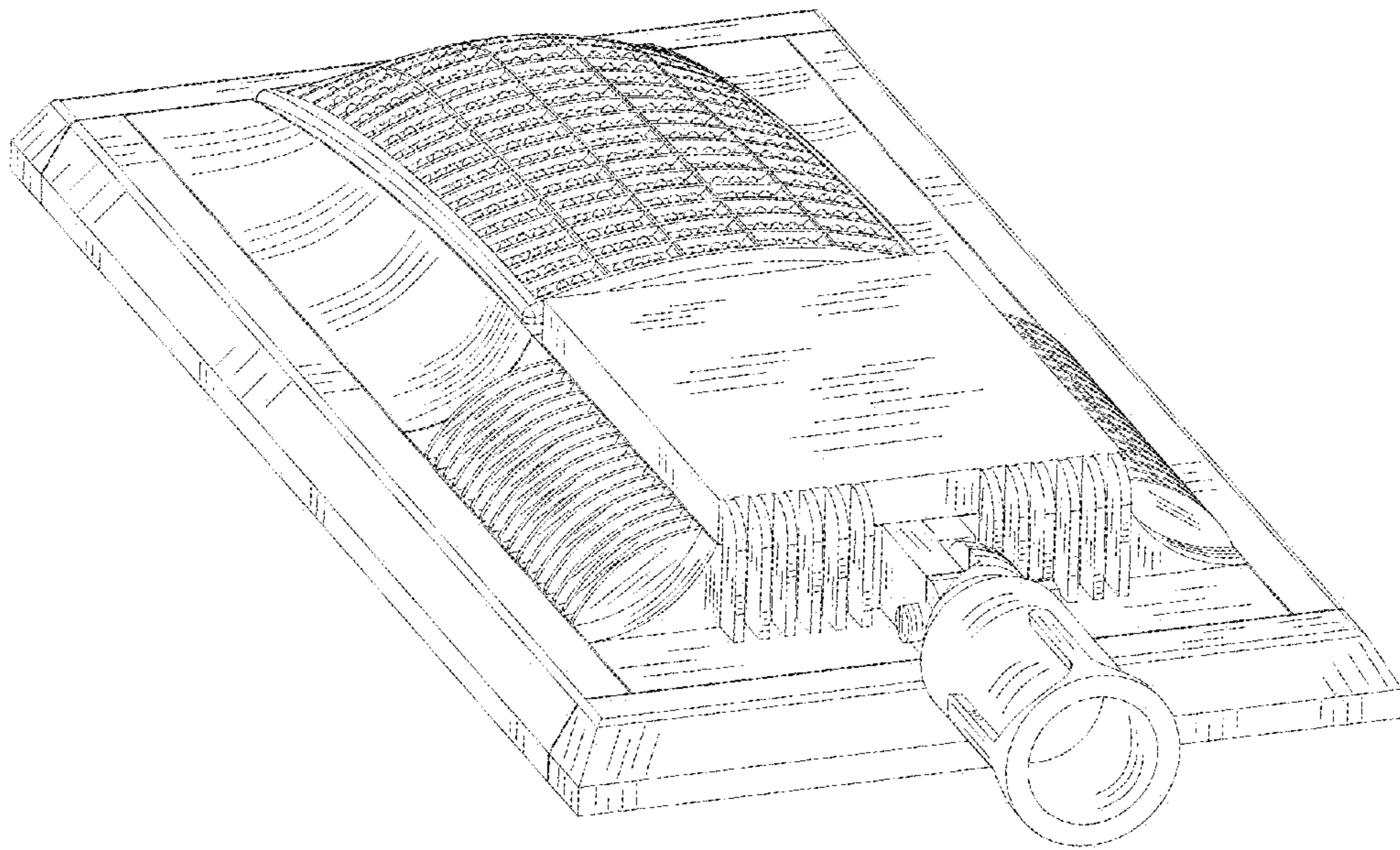


Fig. 8

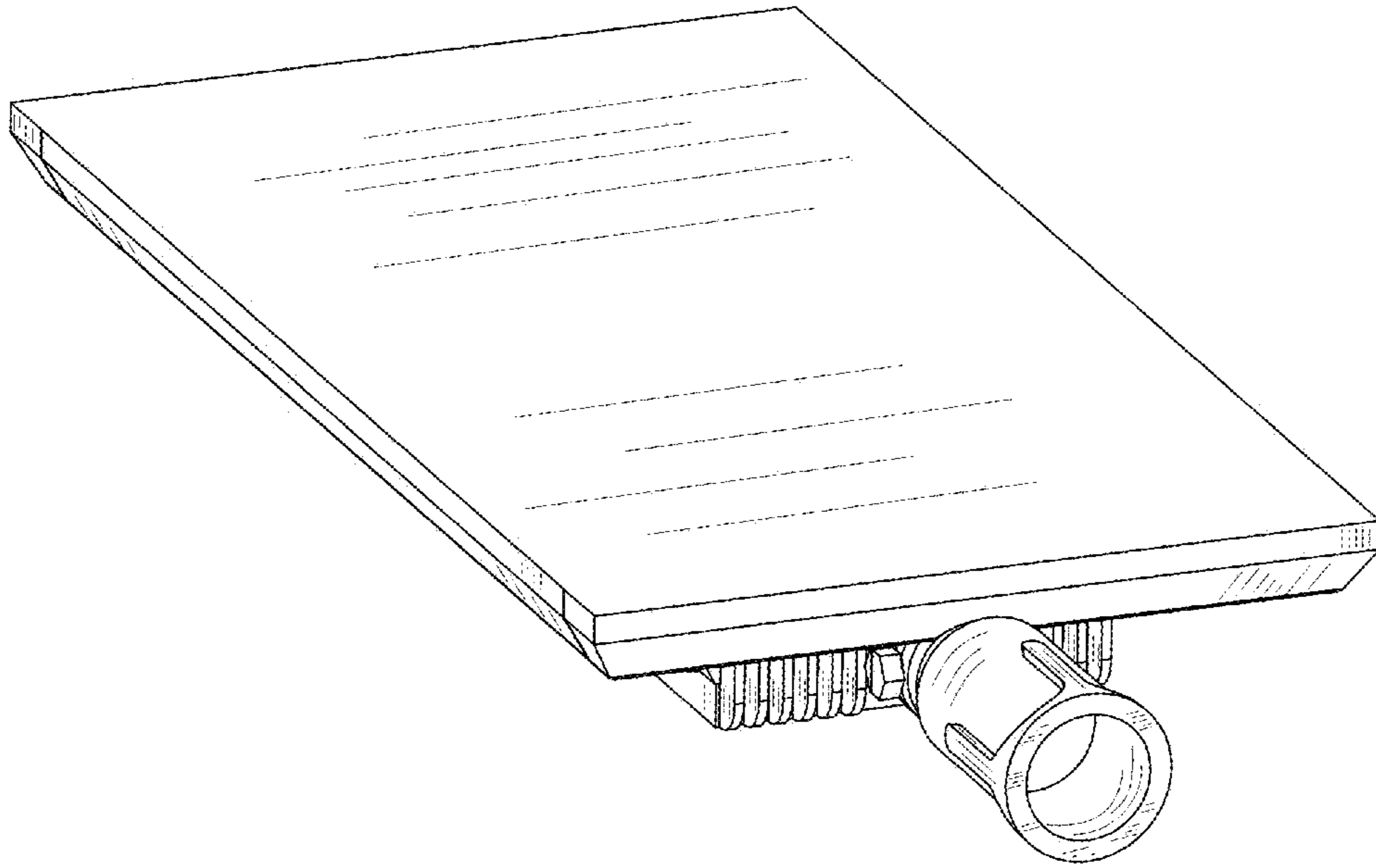


Fig. 9