



US00D765296S

(12) **United States Design Patent**
Wei

(10) **Patent No.:** **US D765,296 S**

(45) **Date of Patent:** **** Aug. 30, 2016**

(54) **LIGHT FIXTURE**

(71) Applicant: **Wenwen Wei, Yuyao (CN)**

(72) Inventor: **Wenwen Wei, Yuyao (CN)**

(73) Assignee: **Ningbo Loyal Lighting Technology Co., Ltd., Yuyao, Zhejiang Province (CN)**

(**) Term: **14 Years**

(21) Appl. No.: **29/525,891**

(22) Filed: **May 4, 2015**

(51) **LOC (10) Cl.** **26-05**

(52) **U.S. Cl.**
USPC **D26/67; D26/60**

(58) **Field of Classification Search**
USPC **D26/60, 63, 67-70**
CPC ... **F21V 3/0445; F21V 21/0824; F21S 6/003**
See application file for complete search history.

(56) **References Cited**

U.S. PATENT DOCUMENTS

D48,862 S *	4/1916	Hill	D26/60
D123,763 S *	12/1940	Rieland	D26/67
D134,595 S *	12/1942	Van Es	D26/63
D222,810 S *	1/1972	Husby et al.	D26/68
D231,680 S *	5/1974	Keller	D26/68
D234,808 S *	4/1975	Ervin	D26/67
D234,968 S *	4/1975	Ervin	D26/67

D300,258 S *	3/1989	Rubarth	D26/11
D385,374 S *	10/1997	Shalvi	D26/112
D453,228 S *	1/2002	Lam	D26/67
D616,128 S *	5/2010	Sanoner	D26/67
D640,402 S *	6/2011	Mitchell	D26/60
D680,252 S *	4/2013	Du	D26/28

* cited by examiner

Primary Examiner — Clare E Heflin

(74) *Attorney, Agent, or Firm* — Ross IP Group PLLC

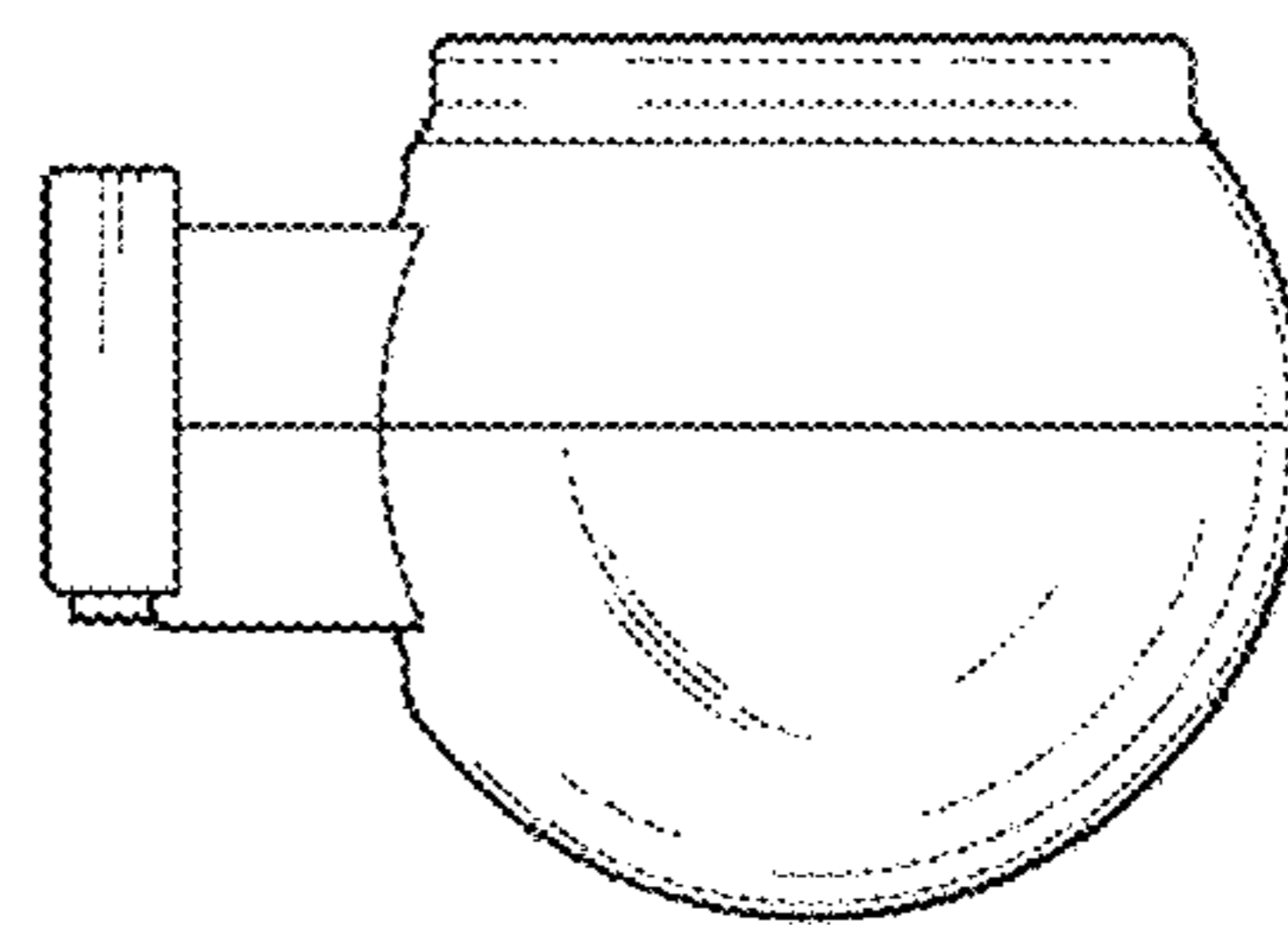
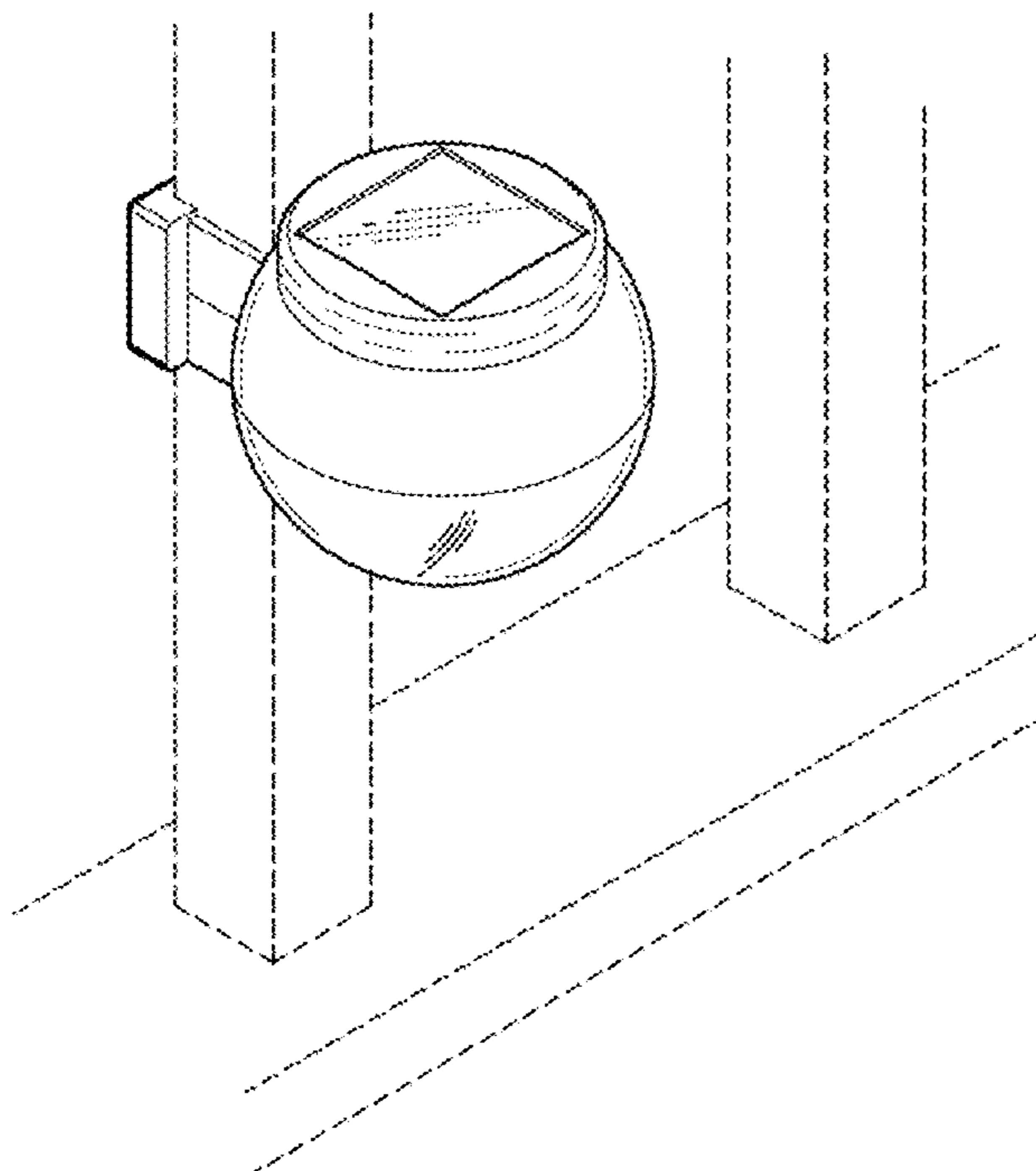
(57) **CLAIM**

The ornamental design for a light fixture, as shown and described.

DESCRIPTION

FIG. 1 is a front and side perspective view of a light fixture embodying the new design;
 FIG. 2 is another front and side perspective view of the light fixture of FIG. 1;
 FIG. 3 is a front elevation view of the light fixture shown in FIG. 2;
 FIG. 4 is a first side elevation view of the light fixture shown in FIG. 2, the second side view being a mirror image;
 FIG. 5 is a top plan view of the light fixture shown in FIG. 2;
 FIG. 6 is a back elevation view of the light fixture shown in FIG. 2; and,
 FIG. 7 is a bottom plan view of the light fixture shown in FIG. 2.
 Broken lines depict elements of the environment and form no part of the claimed design.

1 Claim, 2 Drawing Sheets



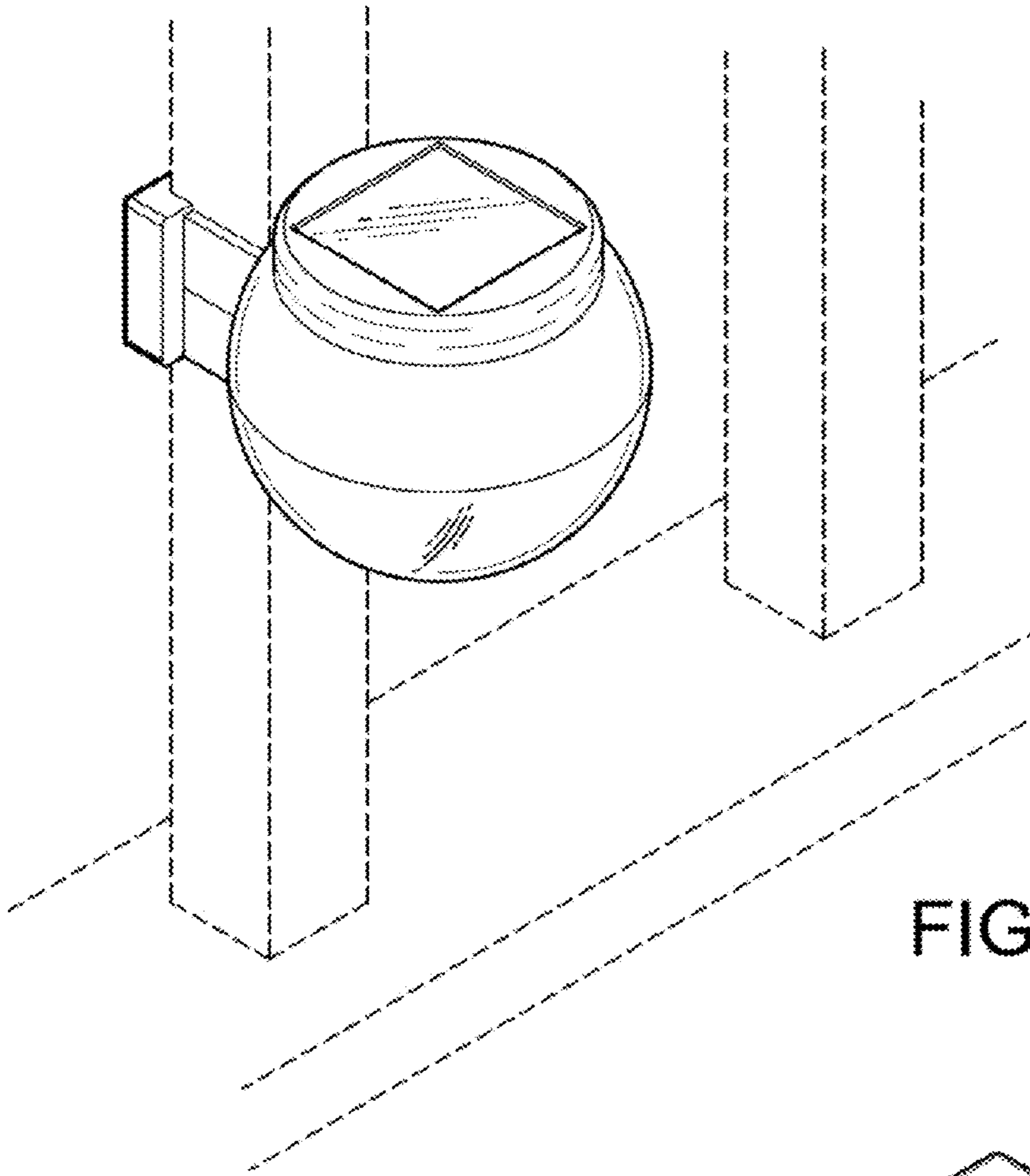


FIG. 1

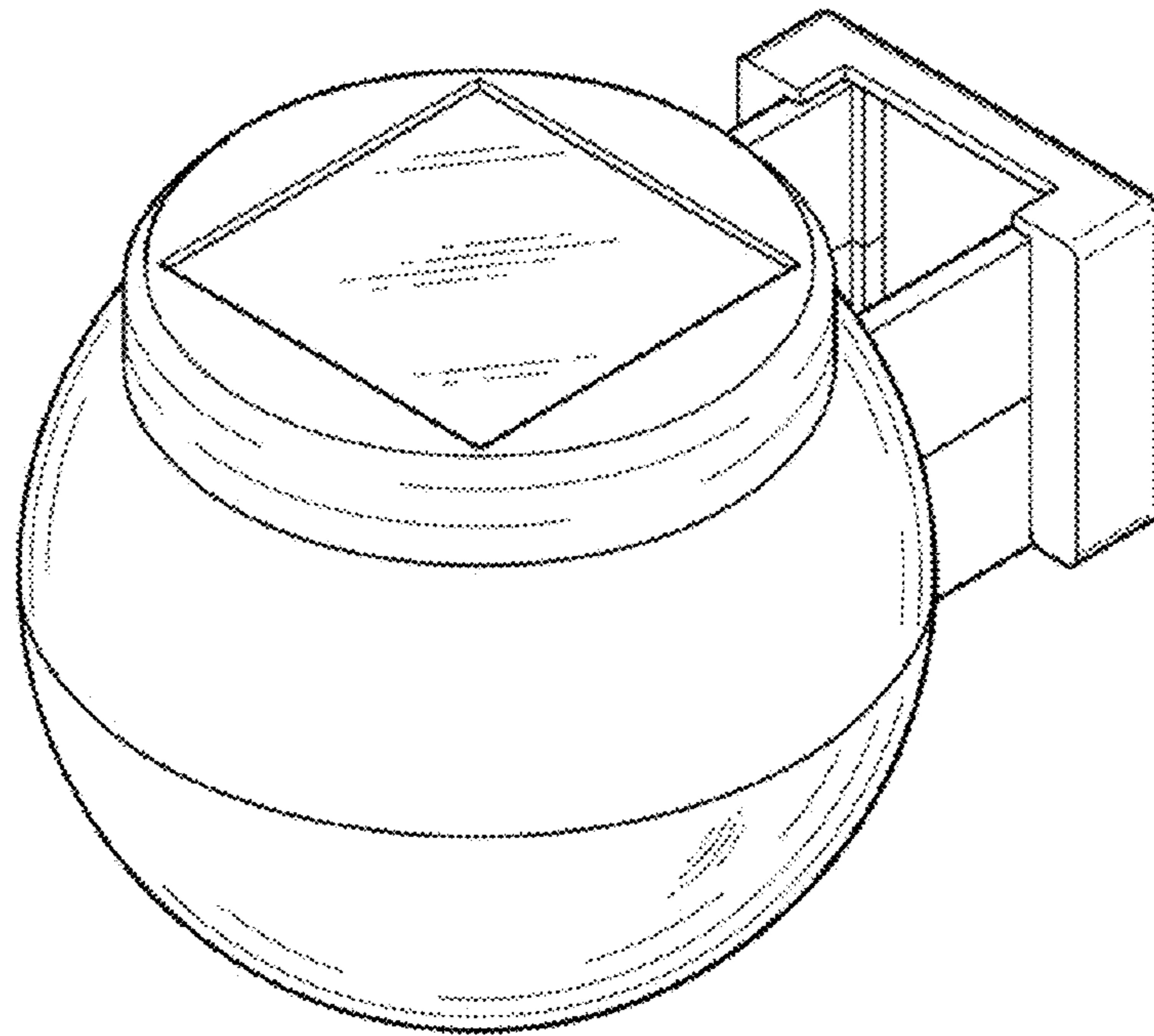


FIG. 2

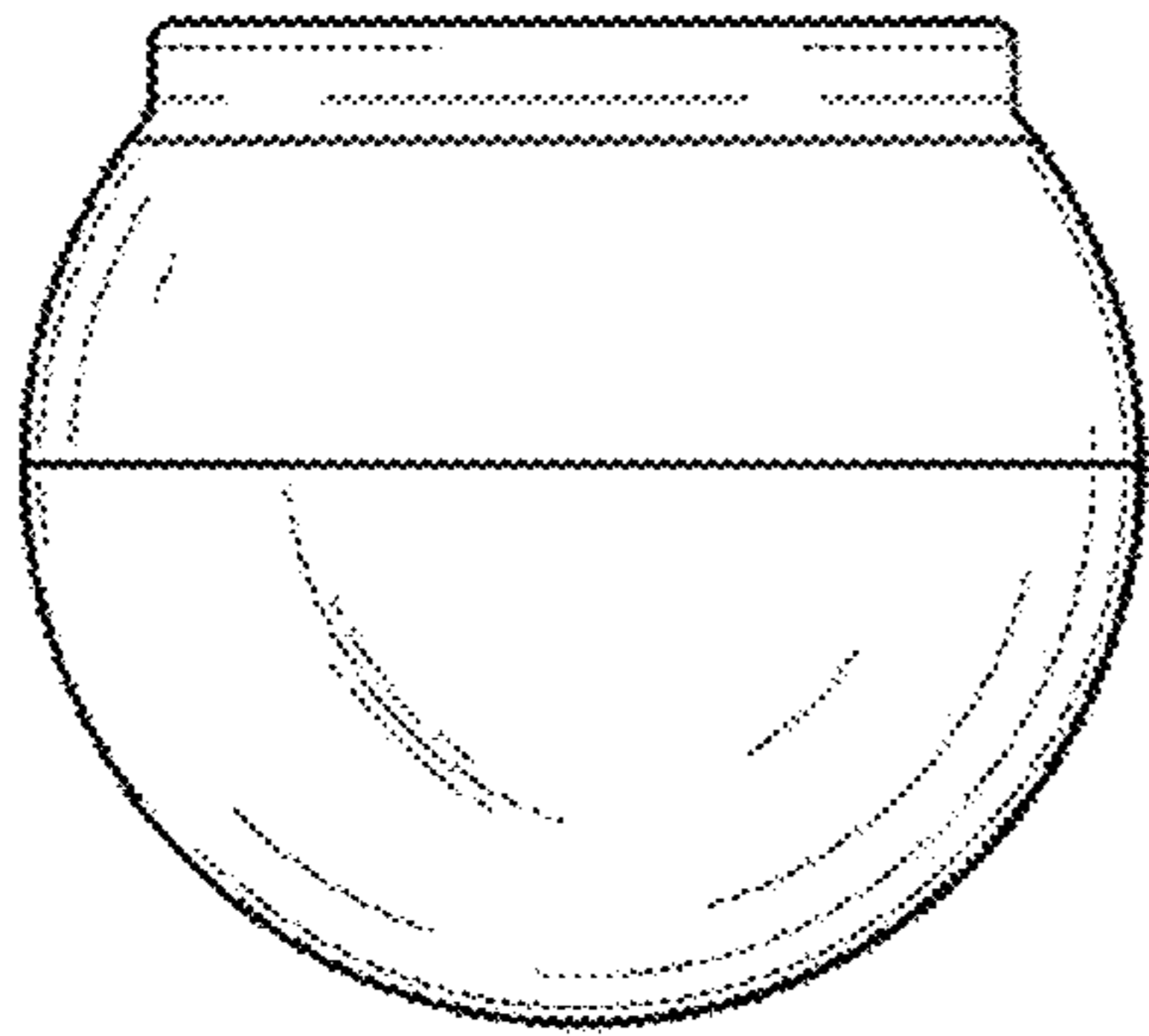


FIG. 3

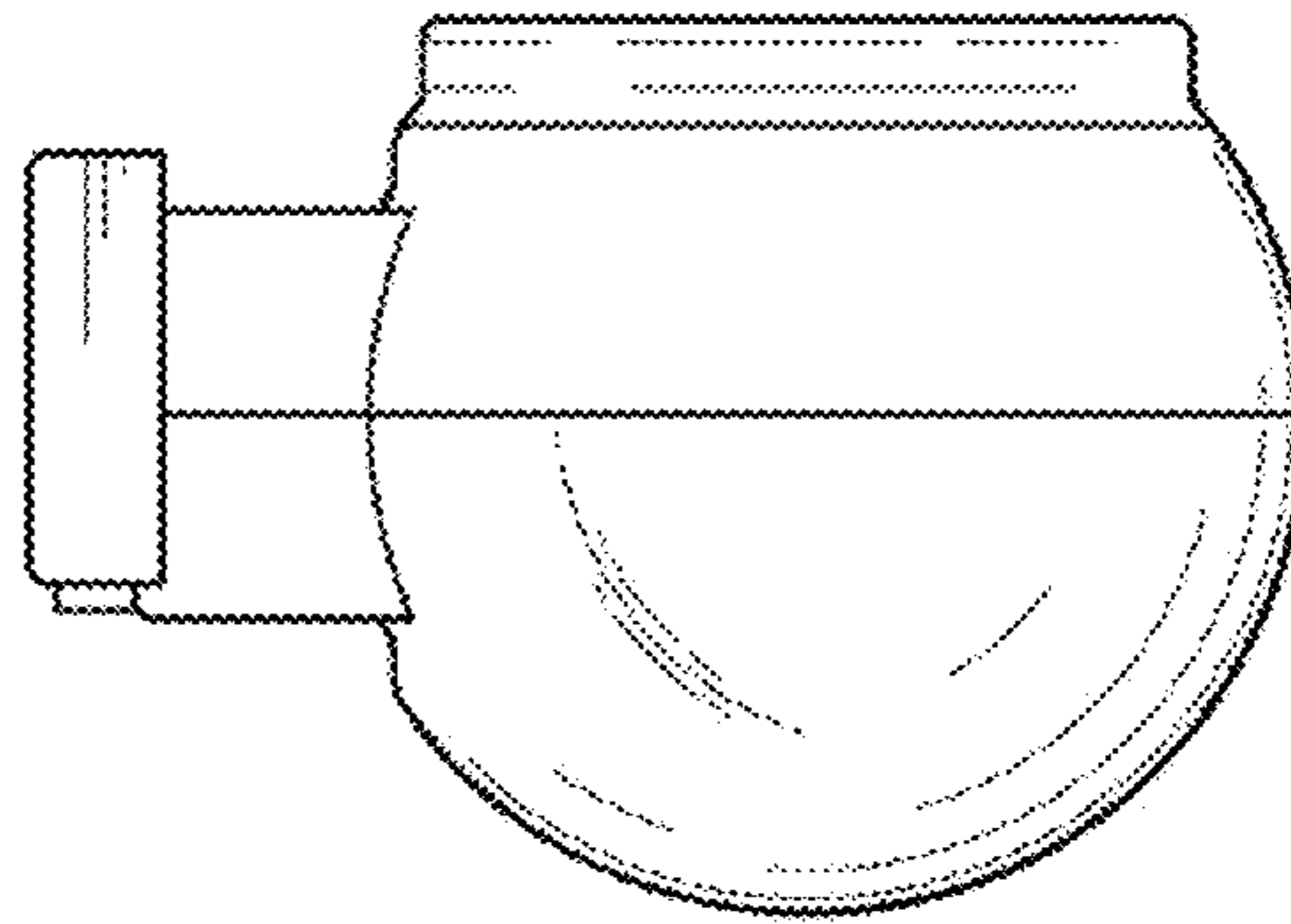


FIG. 4

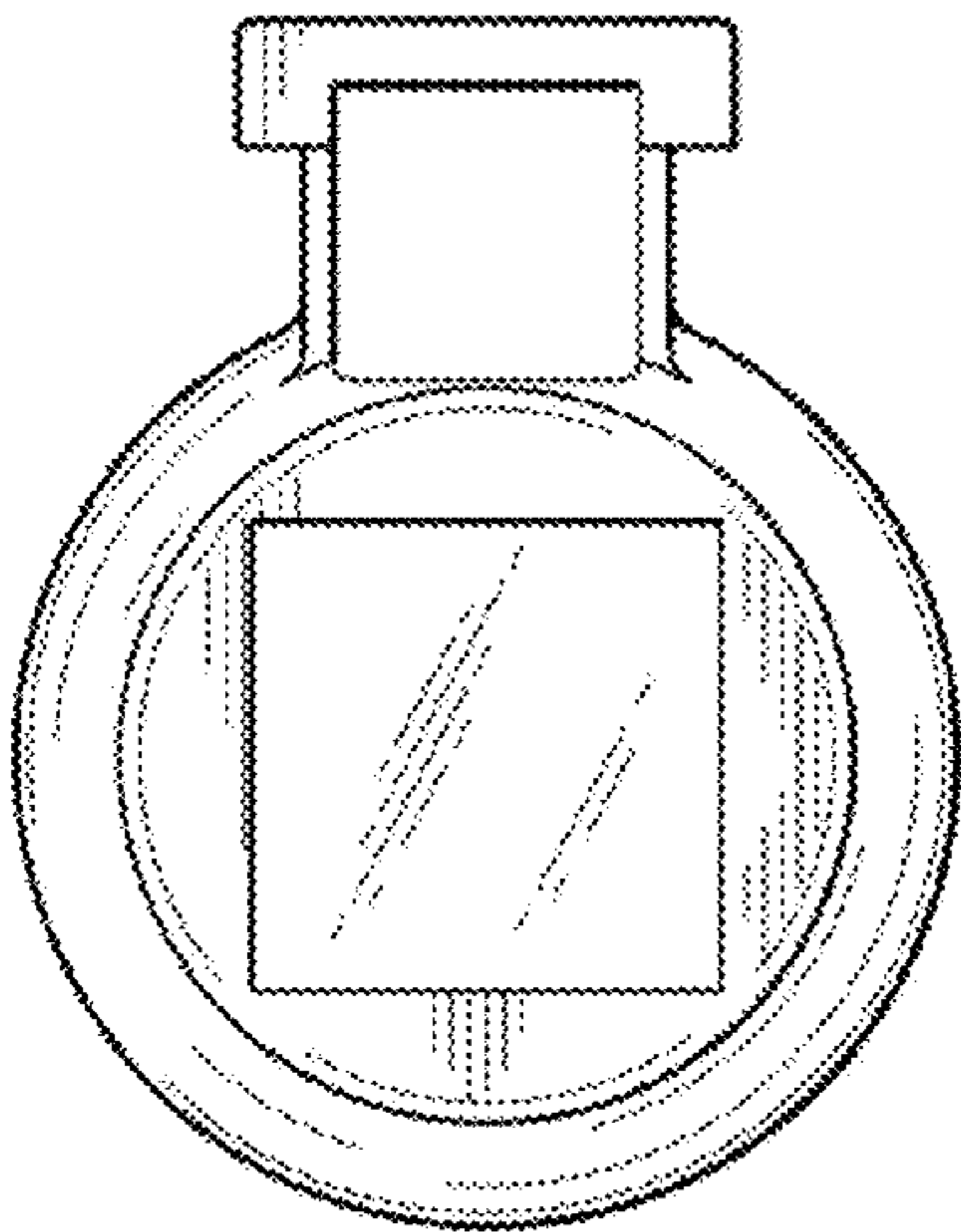


FIG. 5

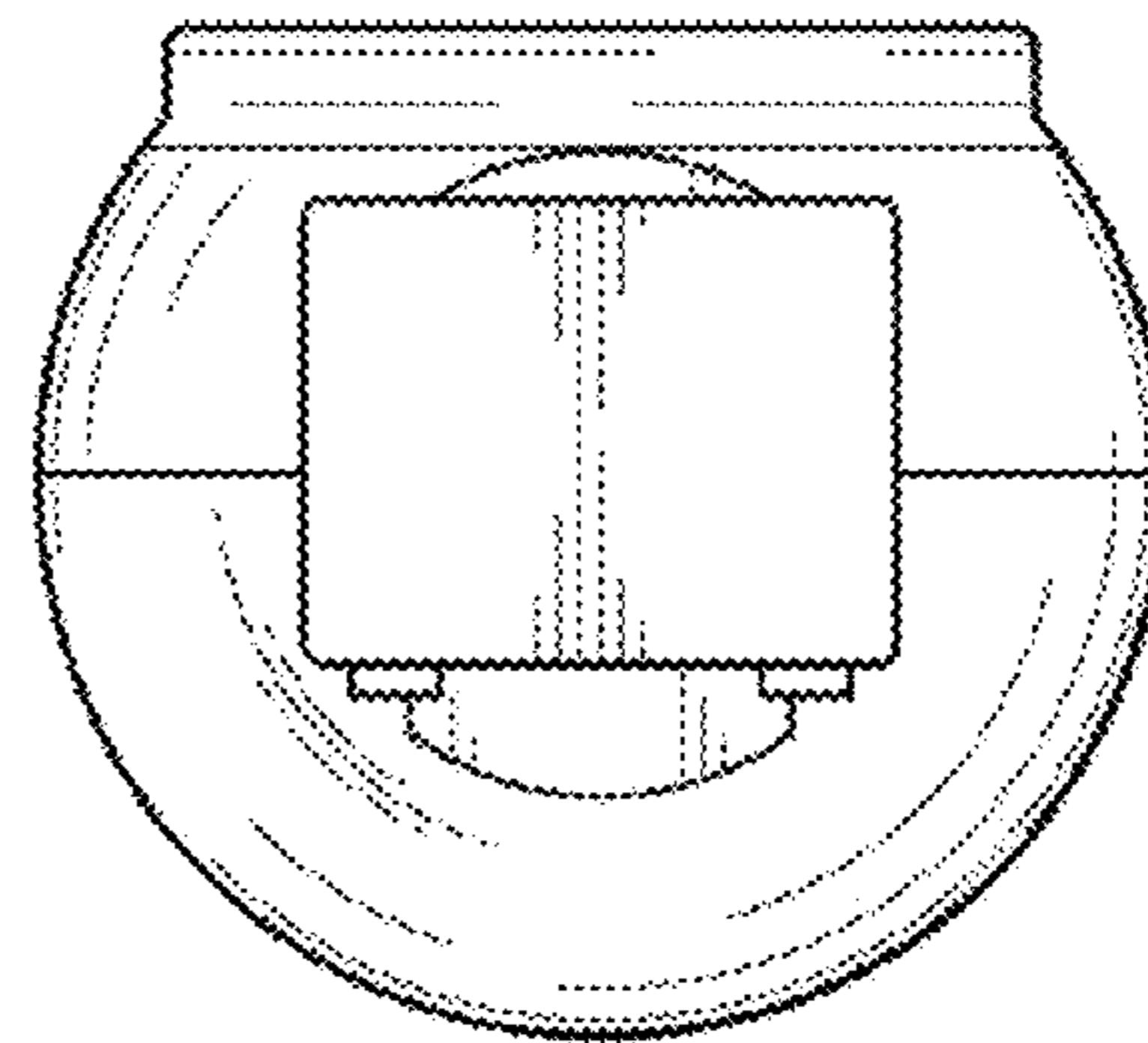


FIG. 6

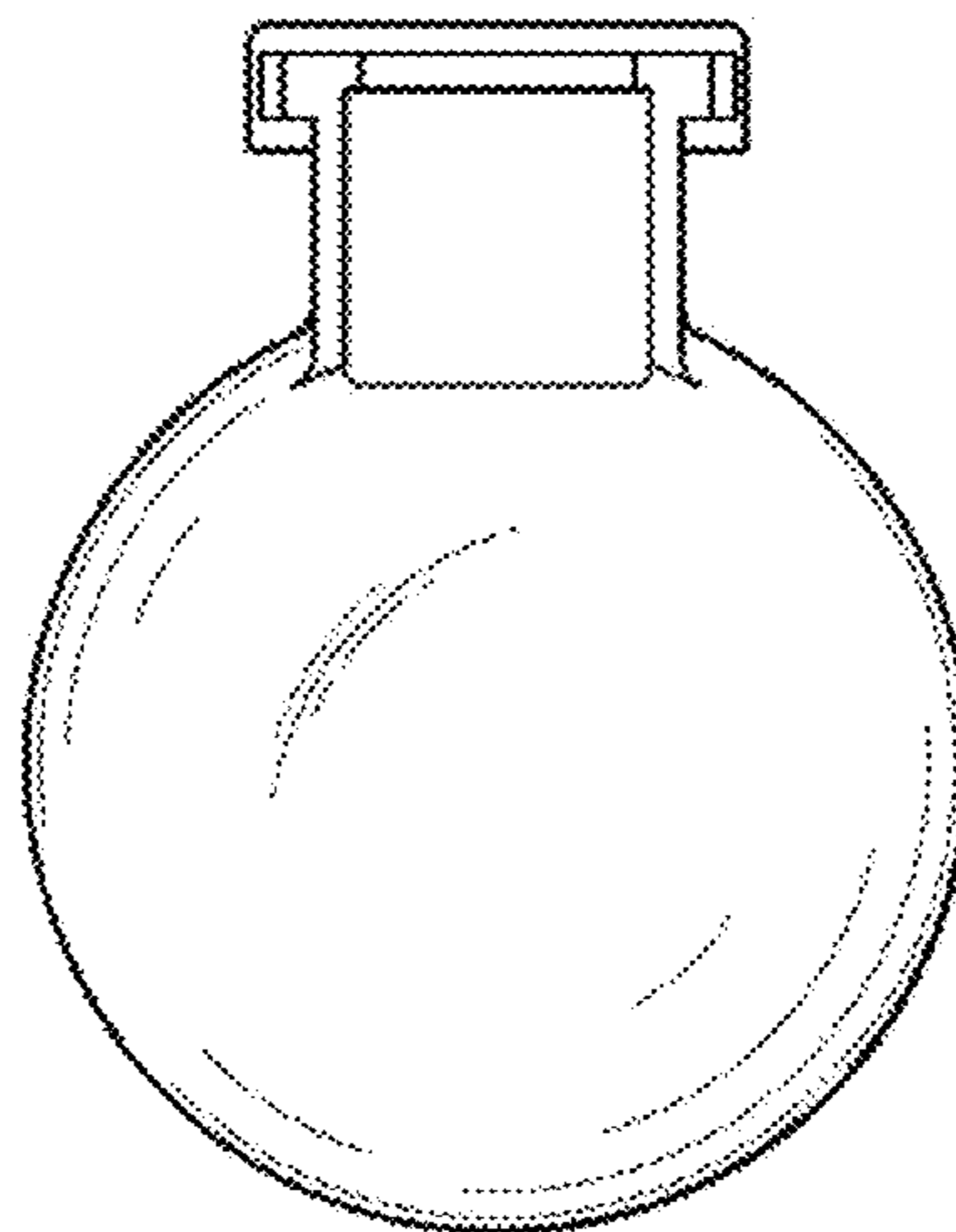


FIG. 7