



US00D765295S

(12) **United States Design Patent**  
**McLennan**

(10) **Patent No.:** **US D765,295 S**

(45) **Date of Patent:** **\*\* Aug. 30, 2016**

(54) **PORTABLE LIGHT HAVING A CLIP**

(71) Applicant: **Streamlight, Inc.**, Eagleville, PA (US)

(72) Inventor: **W. Ross McLennan**, Perkasio, PA (US)

(73) Assignee: **Streamlight, Inc.**, Eagleville, PA (US)

(\*\*) Term: **14 Years**

(21) Appl. No.: **29/496,898**

(22) Filed: **Jul. 18, 2014**

(51) **LOC (10) Cl.** ..... **26-02**

(52) **U.S. Cl.**  
USPC ..... **D26/49**

(58) **Field of Classification Search**  
USPC ..... D26/37, 38, 45, 46, 49, 51; 362/157,  
362/158, 184, 183, 194-196, 202-208  
CPC .... F21V 33/00; F21V 14/025; F21V 21/406;  
F21Y 2101/02; F21L 17/00; F21L 13/08;  
F21L 2001/00; F21L 14/02

See application file for complete search history.

(56) **References Cited**

**U.S. PATENT DOCUMENTS**

D408,090 S	4/1999	Monteleone et al.	
D427,347 S	6/2000	Sharrah et al.	
D427,702 S	7/2000	Sharrah et al.	
6,283,611 B1	9/2001	Sharrah et al.	
D467,376 S *	12/2002	Yamamoto	D26/42
D468,850 S	1/2003	Sharrah et al.	
D507,067 S *	7/2005	Fritz	D26/49
D565,220 S *	3/2008	Galli	D26/49
D596,329 S *	7/2009	Galli	D26/49
D601,737 S *	10/2009	Swan	D26/49
D678,572 S *	3/2013	Zhang	D26/49
D681,246 S	4/2013	Keeley et al.	
D681,858 S *	5/2013	Sharrah	D26/45

D689,227 S *	9/2013	Yeh	D26/46
D698,961 S *	2/2014	Dalton	D26/49
D709,229 S *	7/2014	Wang	D26/49
8,807,781 B2	8/2014	Weber	
8,979,298 B1	3/2015	Wang	
D726,358 S *	4/2015	Young	D26/40

(Continued)

**OTHER PUBLICATIONS**

Streamlight, Inc., "Product Catalog", 06/01, © 2001, 36 pages.

(Continued)

*Primary Examiner* — Ian Simmons

*Assistant Examiner* — Carissa C Fitts

(74) *Attorney, Agent, or Firm* — Clement A. Berard, Esq.;  
Dann, Dorfman, Herrell & Skillman, PC

(57) **CLAIM**

The ornamental design for a portable light having a clip, substantially as shown and described.

**DESCRIPTION**

FIG. 1 is a perspective view of an ornamental design for a portable light having a clip;

FIG. 2 is another perspective view thereof from a different angle;

FIG. 3 is a side view of a first side thereof;

FIG. 4 is a side view of a second side thereof;

FIG. 5 is a side view of a third side thereof;

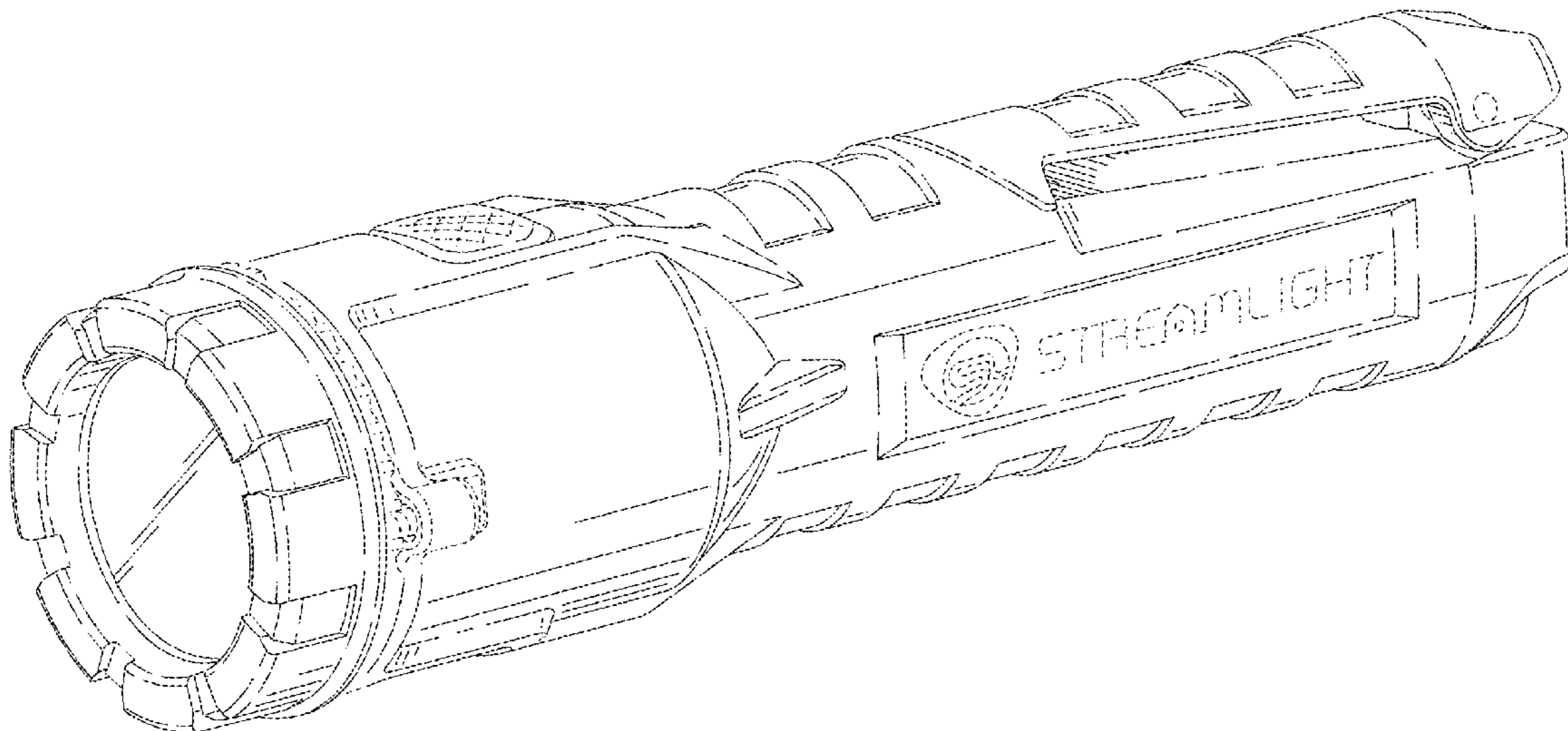
FIG. 6 is a side view of a fourth side thereof;

FIG. 7 is an end view of a first end thereof; and,

FIG. 8 is an end view of a second end thereof.

The broken line showing represents portions of the article not claimed and forms no part of the claimed design.

**1 Claim, 7 Drawing Sheets**



(56)

**References Cited**

U.S. PATENT DOCUMENTS

D728,139 S \* 4/2015 Wang ..... D26/49  
9,194,547 B2 11/2015 Ancona et al.

OTHER PUBLICATIONS

Streamlight, Inc., “Knucklehead® HAZ-LO®—Spot Model (Alkaline Model)”, © 2014, 1 page.

Streamlight, Inc., “Knucklehead® with Clip”, © 2014, 1 page.  
Streamlight, Inc., “Survivor® LED (Alkaline Model)”, © 2014, 1 page.  
Streamlight, Inc., “2AA ProPolymer® HAZ-LO®”, © 2014, 1 page.  
Streamlight, Inc., “3AA ProPolymer® HAZ-LO®”, © 2014, 1 page.  
Streamlight, Inc., “3C ProPolymer® HAZ-LO®”, © 2014, 1 page.  
Streamlight, Inc., “3C ProPolymer® LED”, © 2014, 1 page.  
Streamlight, Inc., “3N ProPolymer® LED”, © 2014, 1 page.  
Streamlight, Inc., “4AA ProPolymer® LED”, © 2014, 1 page.

\* cited by examiner

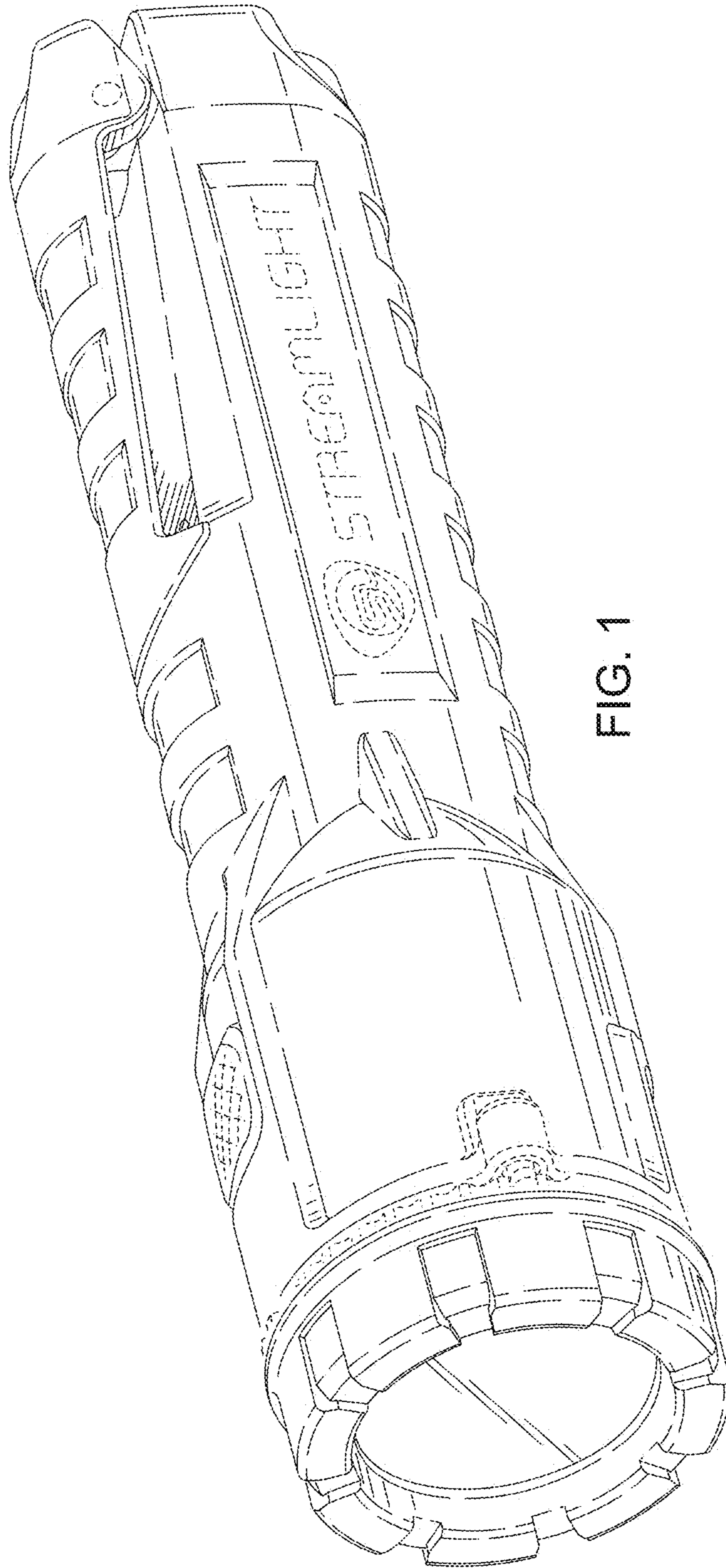


FIG. 1



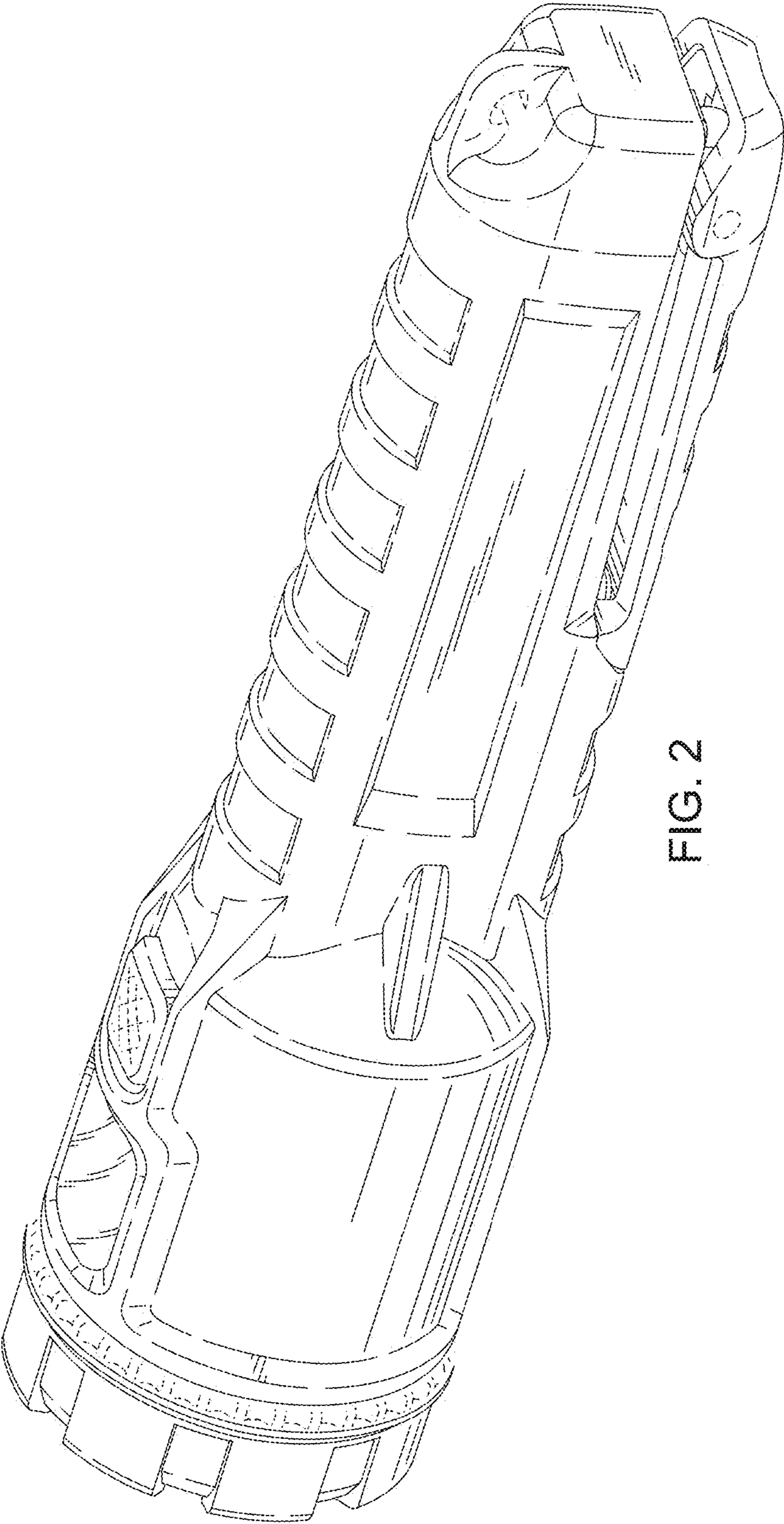


FIG. 2

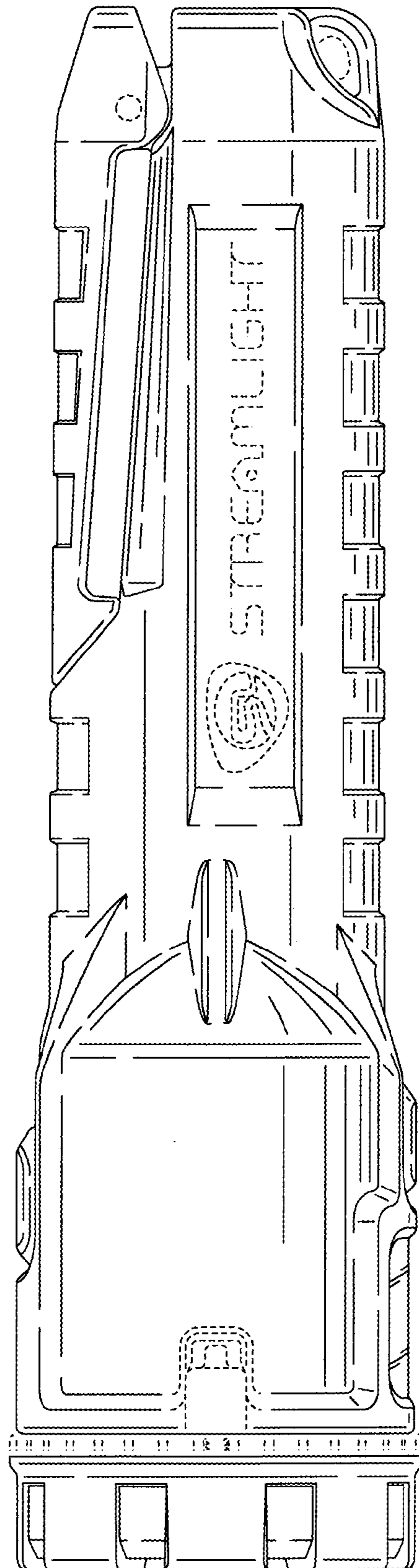


FIG. 3

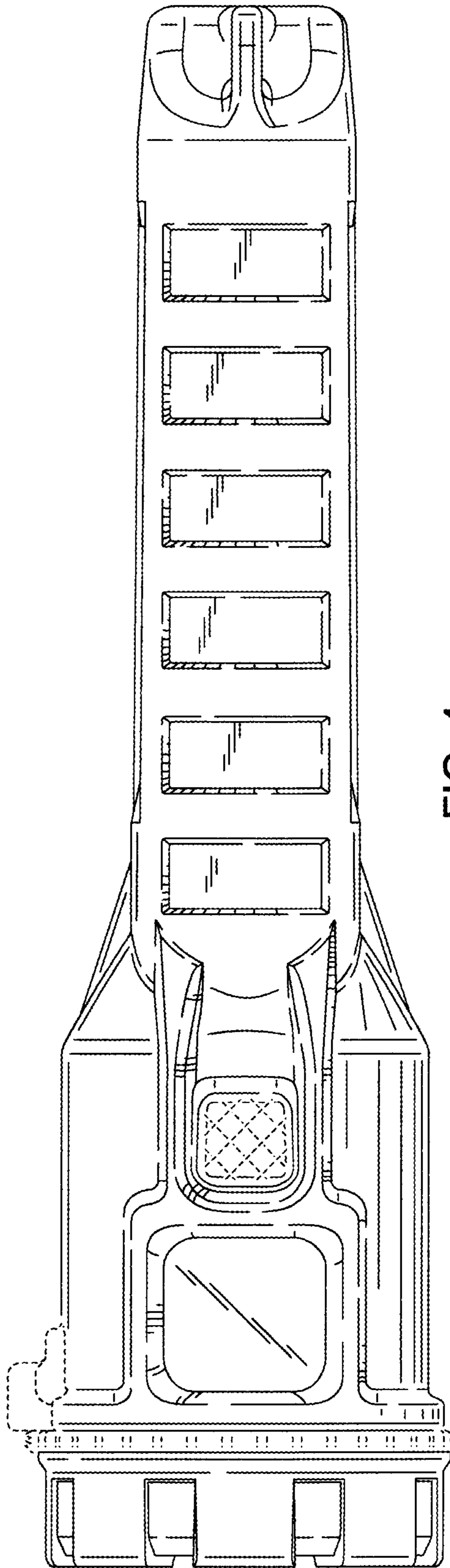


FIG. 4

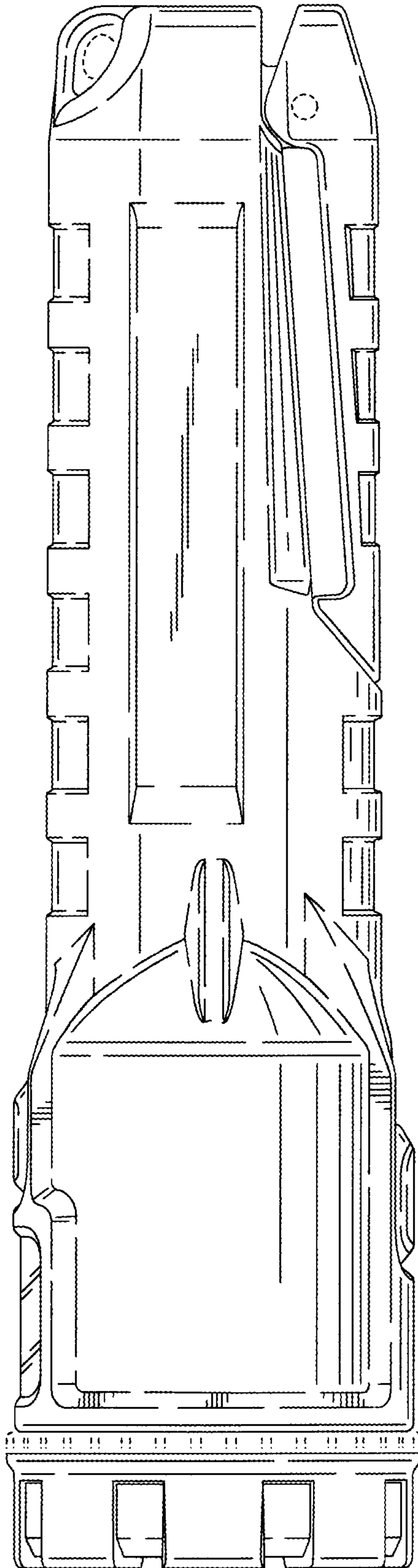


FIG. 5

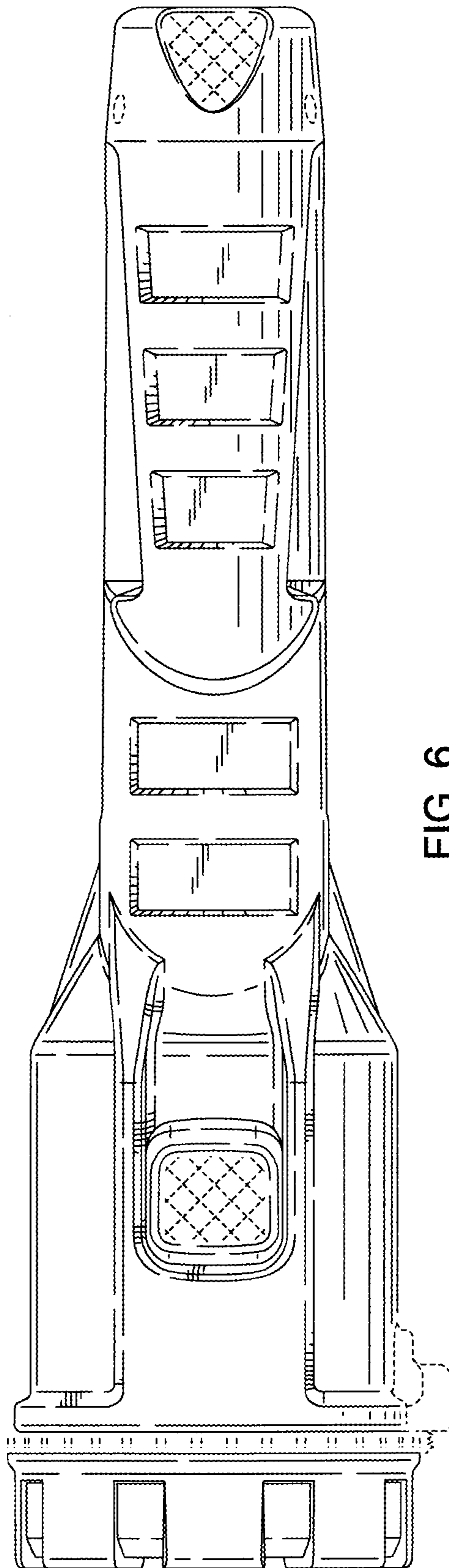


FIG. 6



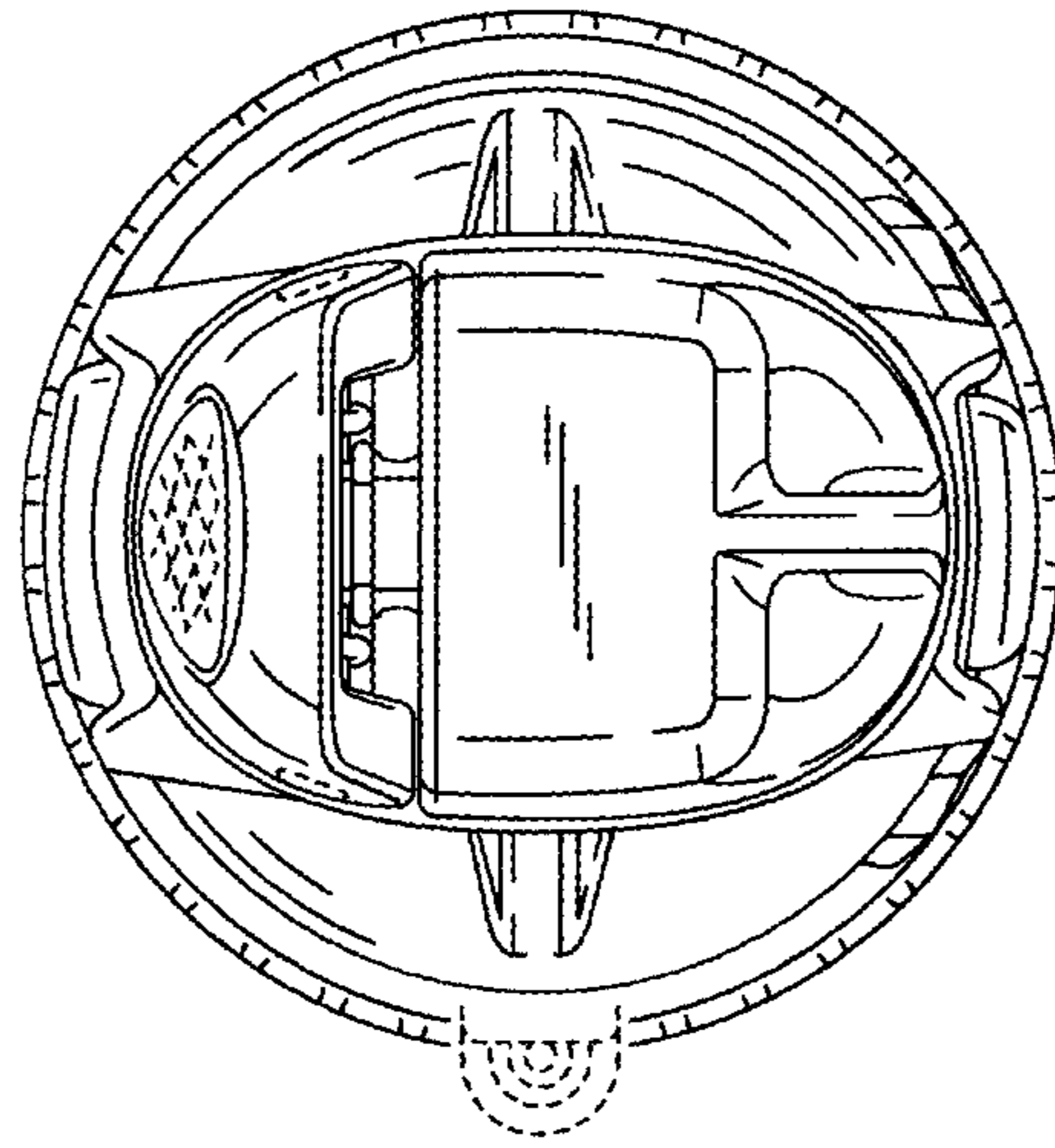


FIG. 8

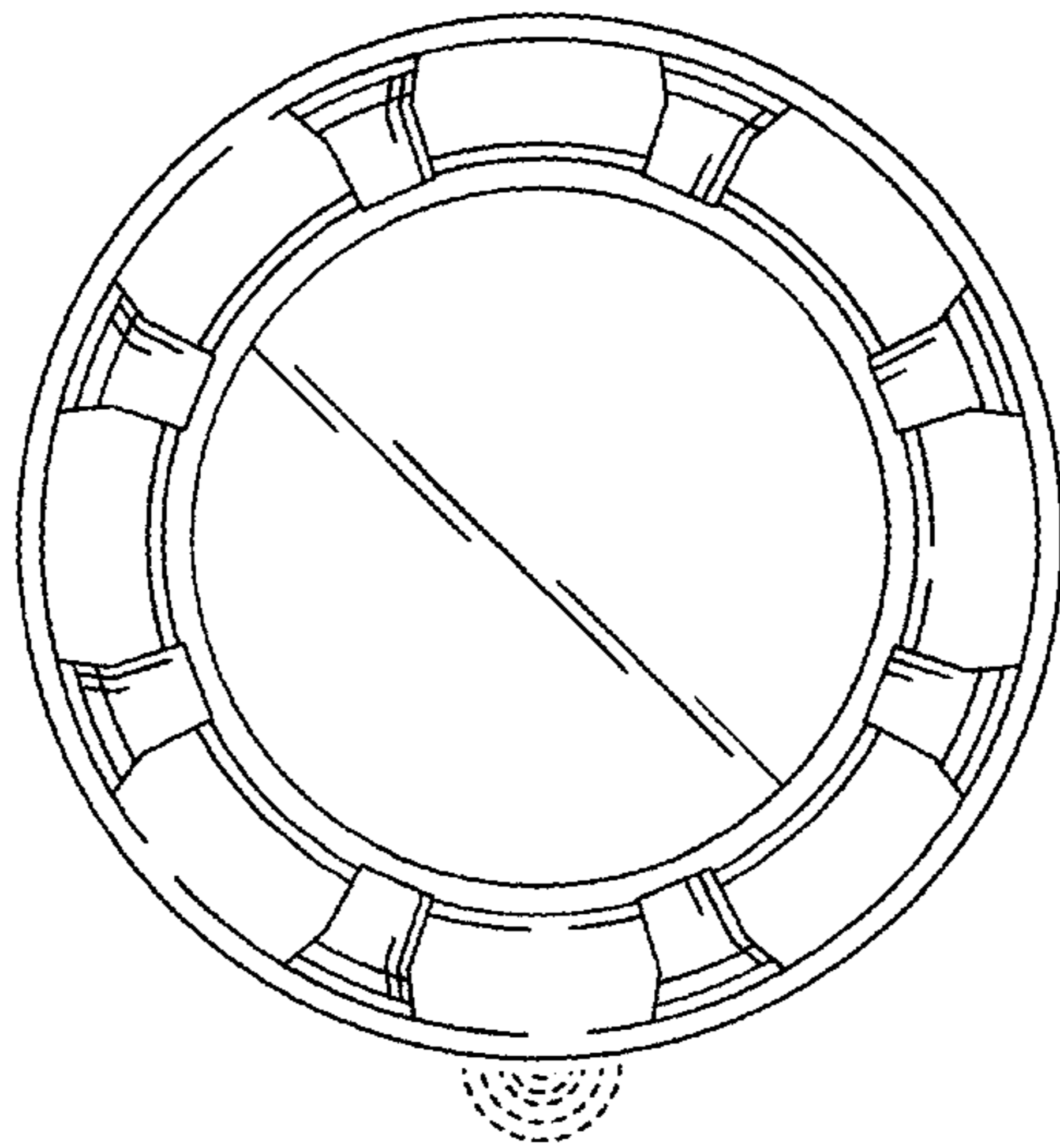


FIG. 7