



US00D765294S

(12) **United States Design Patent**
Li

(10) **Patent No.:** **US D765,294 S**

(45) **Date of Patent:** **** Aug. 30, 2016**

(54) **LIGHT**

(71) Applicant: **Ranger Li**, Anhui Province (CN)

(72) Inventor: **Ranger Li**, Anhui Province (CN)

(**) Term: **14 Years**

(21) Appl. No.: **29/517,174**

(22) Filed: **Feb. 11, 2015**

(51) **LOC (10) Cl.** **26-02**

(52) **U.S. Cl.**
USPC **D26/37**

(58) **Field of Classification Search**
USPC D26/37, 38, 40, 41, 46, 50, 51, 32, 92,
D26/96, 12, 9, 11; 362/157, 158, 171-174,
362/183, 184, 194-196, 202-208, 253
CPC F21L 2003/00; F21L 4/00; F21L 4/005;
F21L 4/02; F21L 4/025; F21L 4/027; F21L
4/04; F21L 4/08; F21L 2005/00; F21L 7/00;
F21L 11/00; F21L 13/00; F21L 13/04;
F21L 13/08; F21L 14/02; F21L 17/00
See application file for complete search history.

(56) **References Cited**

U.S. PATENT DOCUMENTS

D407,512 S	*	3/1999	Yuen	D26/41
D411,322 S	*	6/1999	Suzuki	D20/10
D429,832 S	*	8/2000	Poon	D26/40

D464,454 S	*	10/2002	Suzuki	D26/40
D565,766 S	*	4/2008	Shiu	D26/40
D568,512 S	*	5/2008	Shiu	D26/40
D576,756 S	*	9/2008	DeBrunner	D26/40
D599,923 S	*	9/2009	Shiu	D26/40
D605,321 S	*	12/2009	Schupp	D26/40
D605,337 S	*	12/2009	Zhang	D26/93
D617,480 S	*	6/2010	DeBrunner	D26/40
D646,412 S	*	10/2011	Taiga	D26/41
D711,572 S	*	8/2014	Kwon	D26/37
D747,621 S	*	1/2016	Amerson	D7/354

* cited by examiner

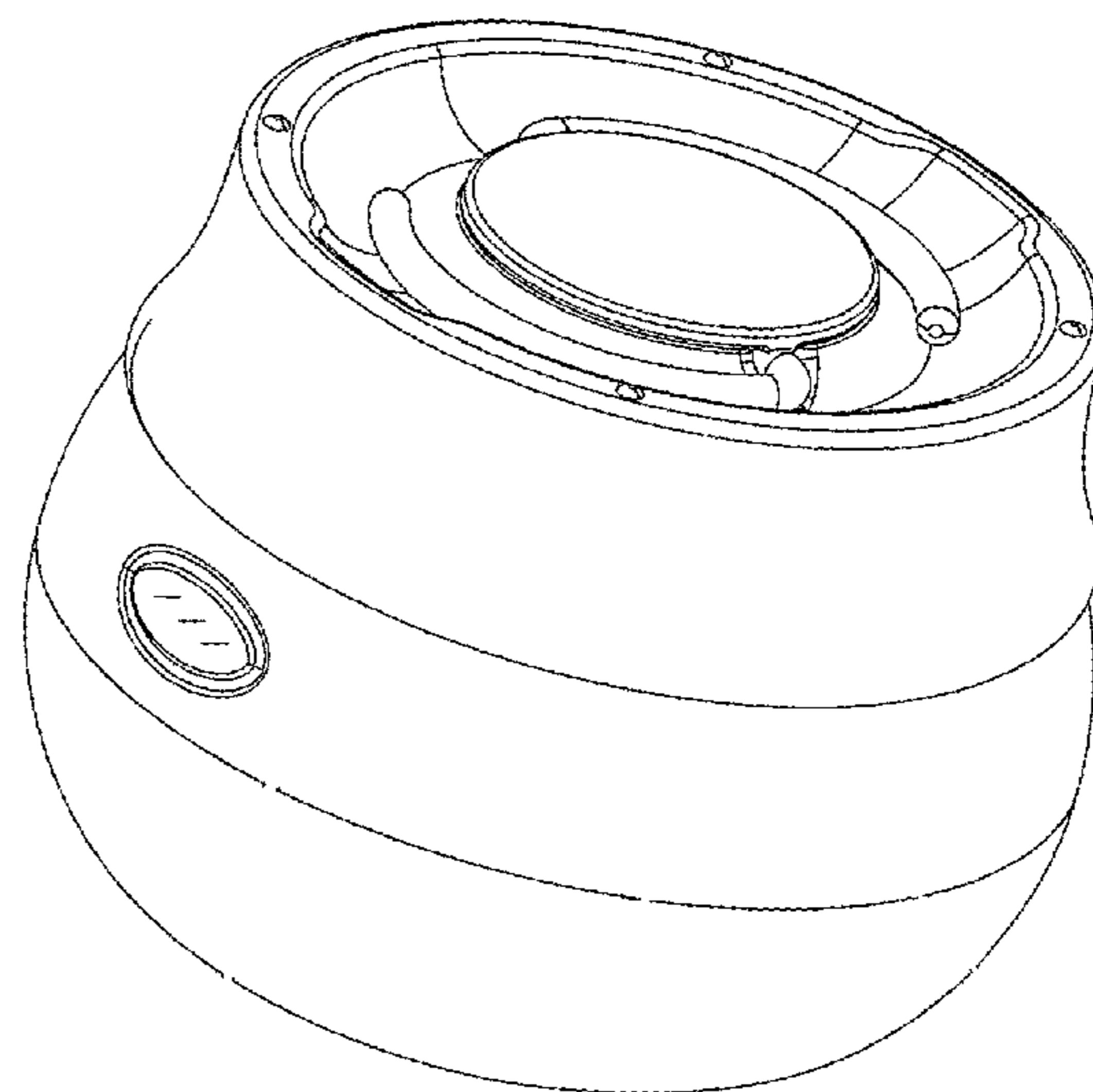
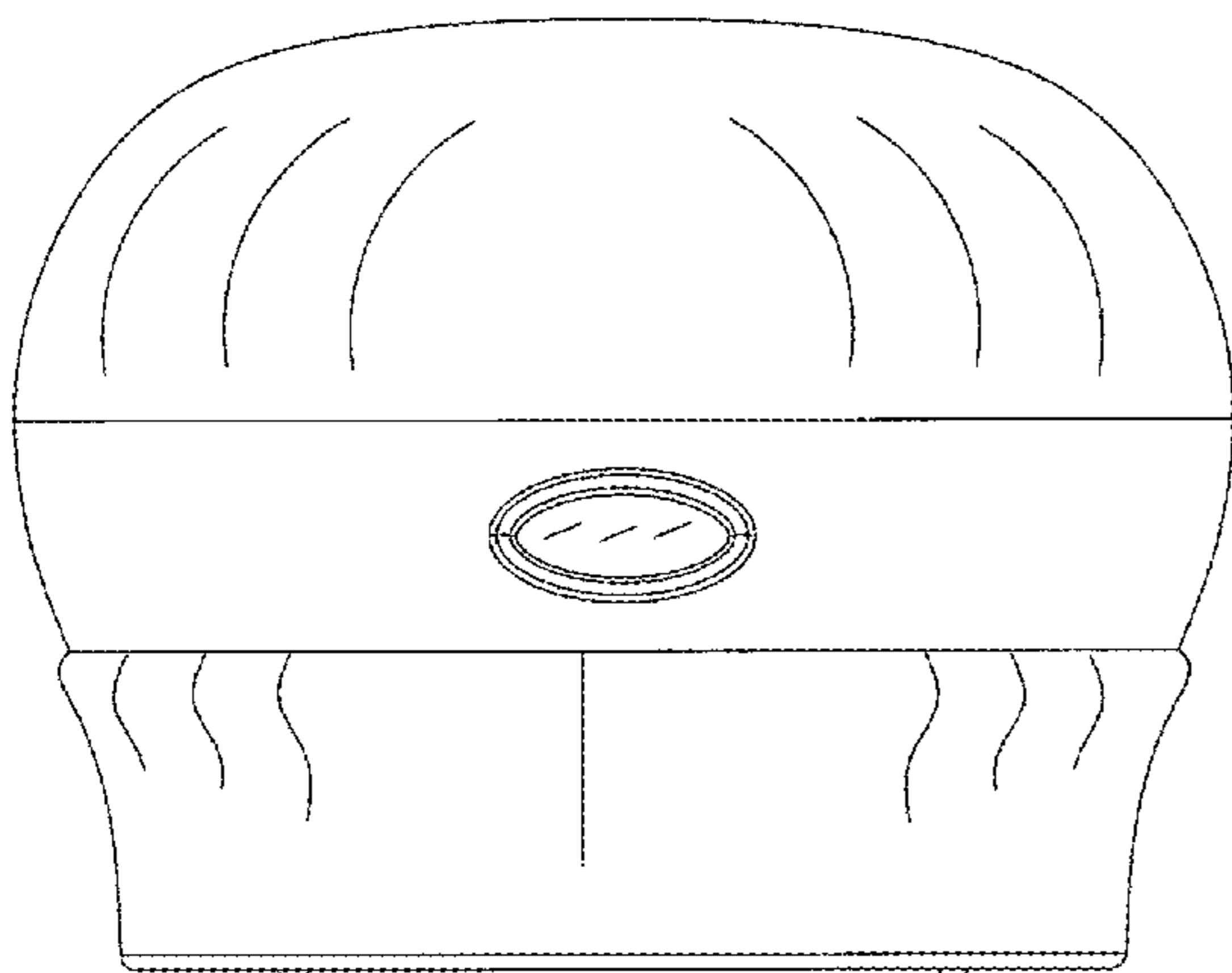
Primary Examiner — Ian Simmons
Assistant Examiner — Carissa C Fitts

(57) **CLAIM**
The ornamental design for a light, as shown.

DESCRIPTION

FIG. 1 is a front elevational view of a light showing my new design;
FIG. 2 is a rear elevational view thereof;
FIG. 3 is a left side view thereof;
FIG. 4 is a right side view thereof;
FIG. 5 is a top plan view thereof;
FIG. 6 is a bottom plan view thereof;
FIG. 7 is a perspective view thereof; and,
FIG. 8 is another perspective view thereof.

1 Claim, 6 Drawing Sheets



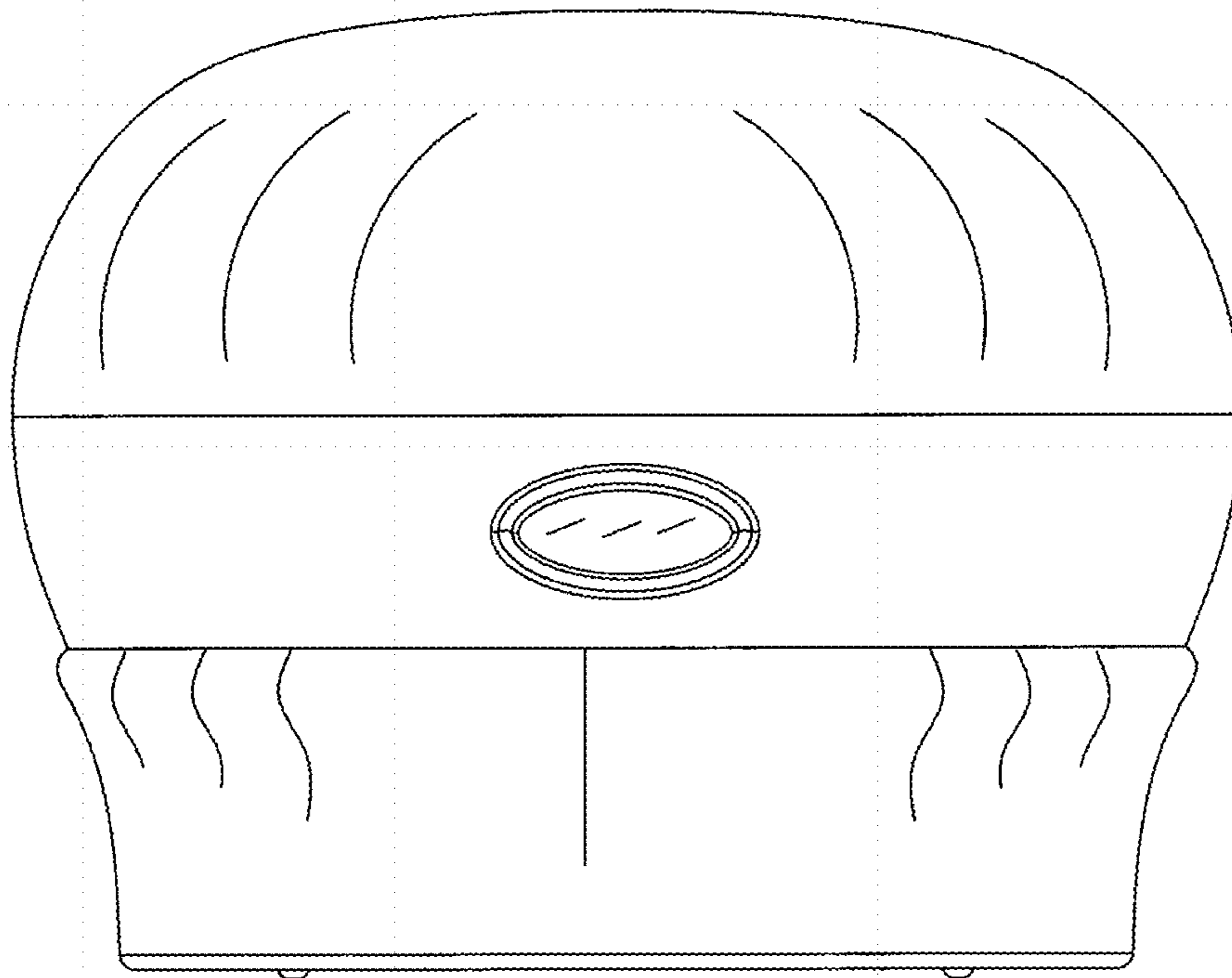


FIG. 1

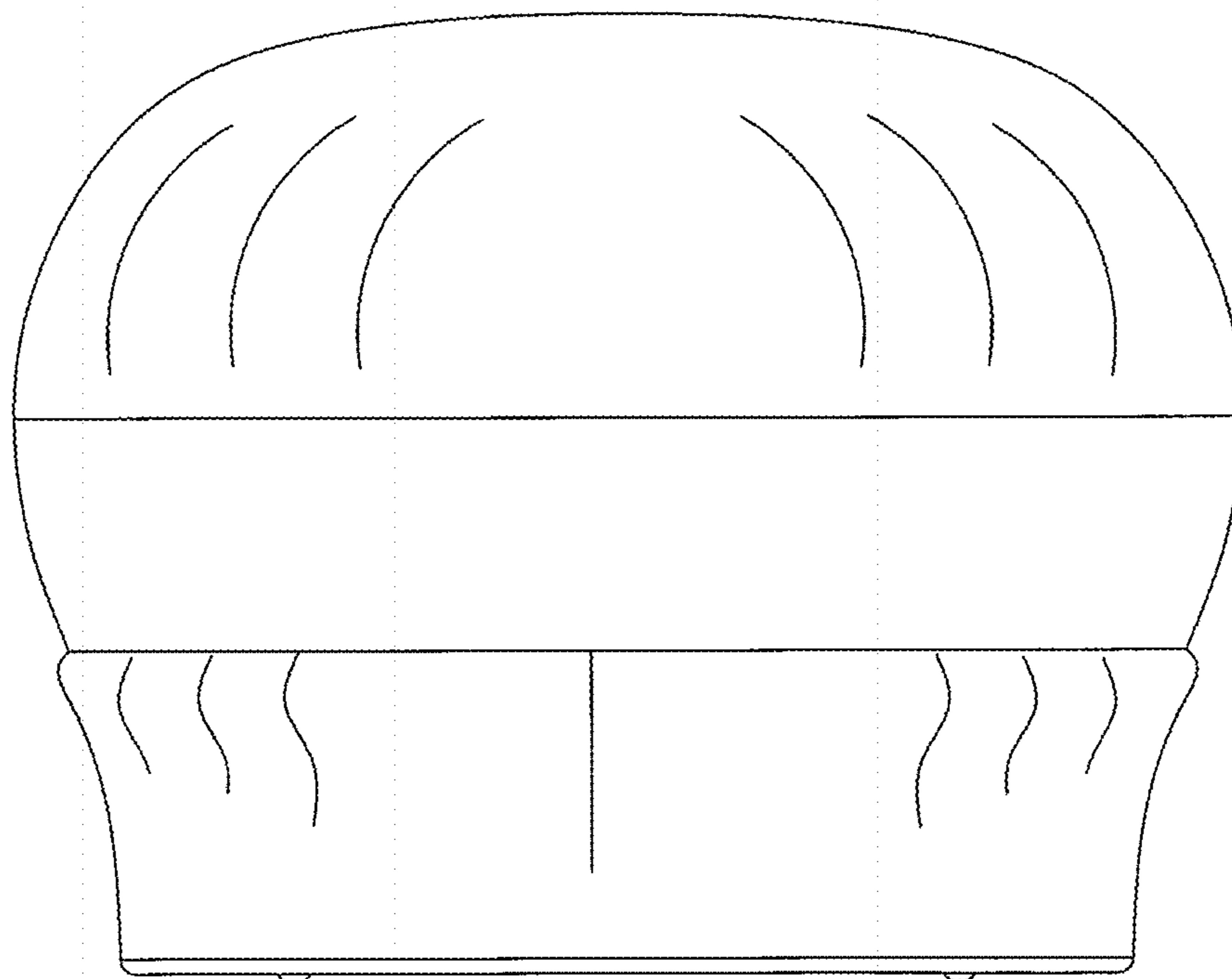


FIG. 2

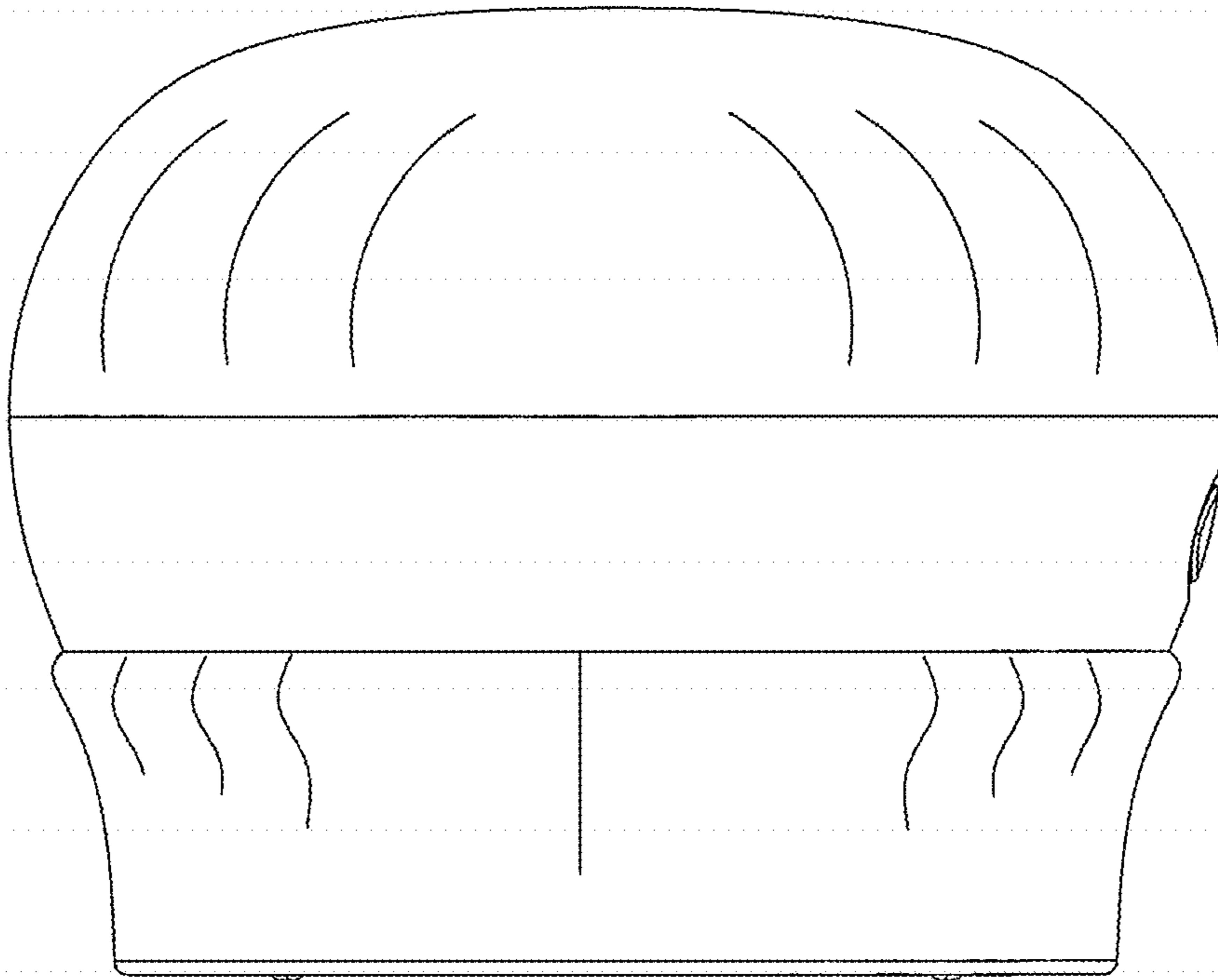


FIG. 3

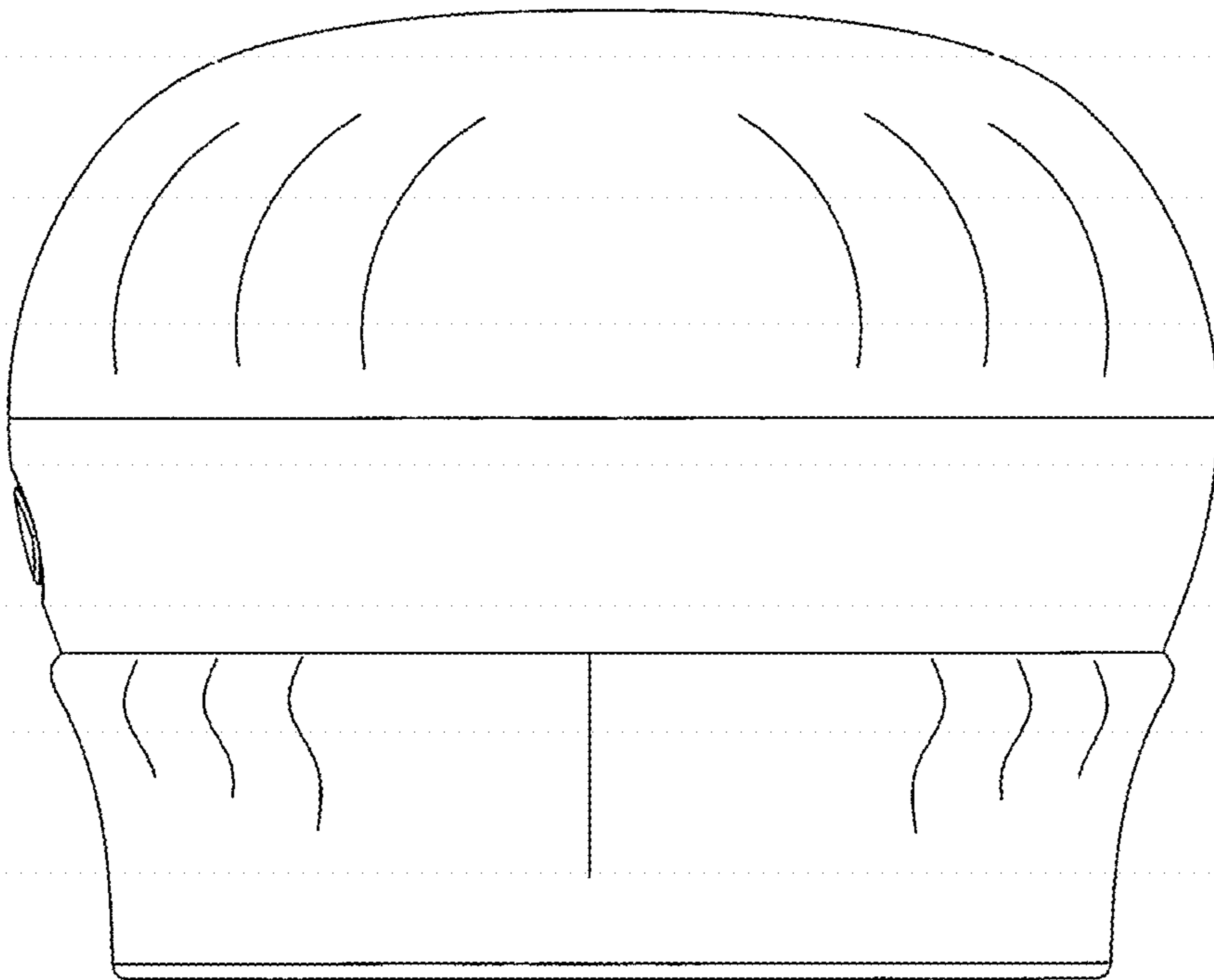


FIG. 4

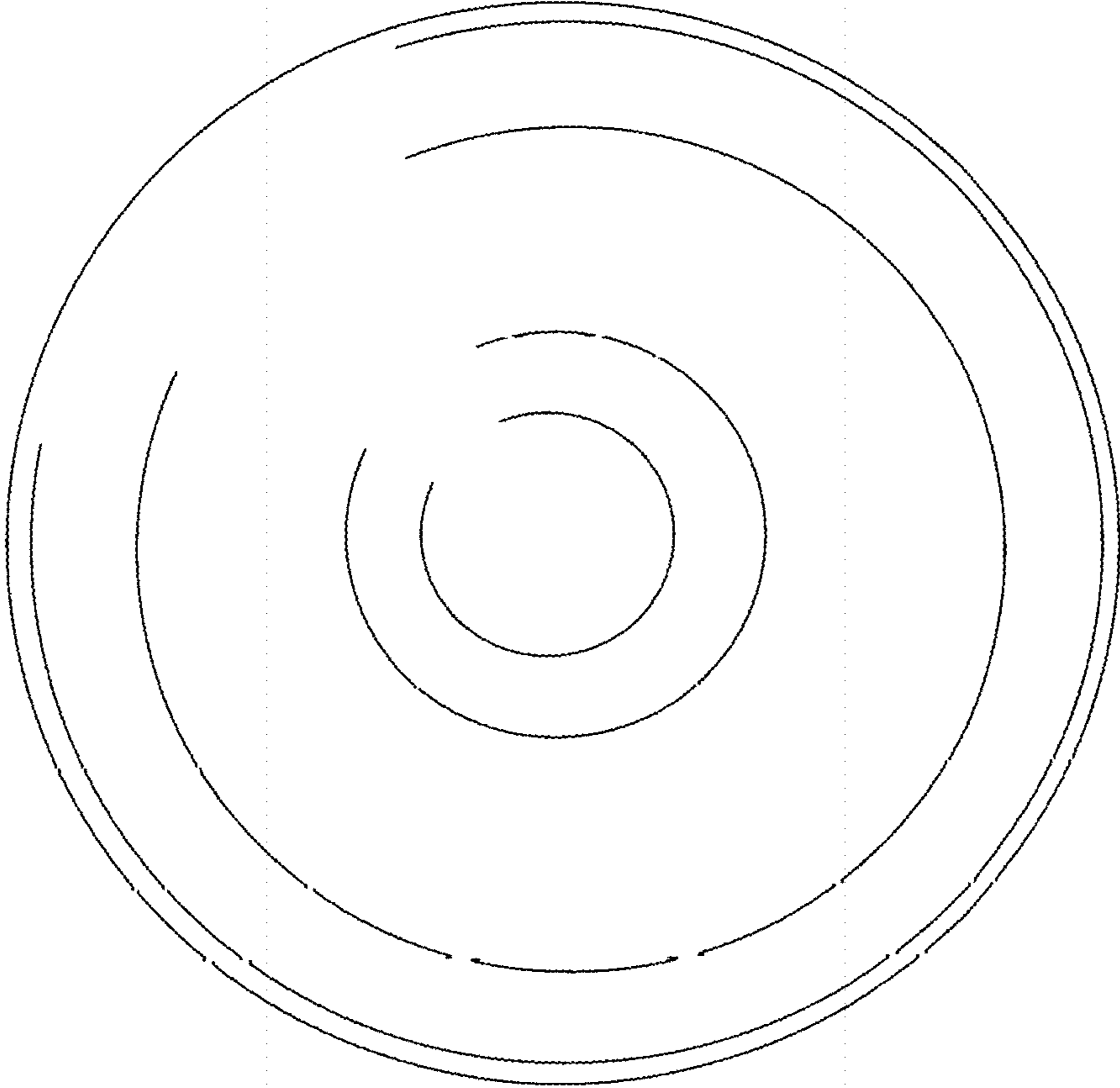


FIG. 5

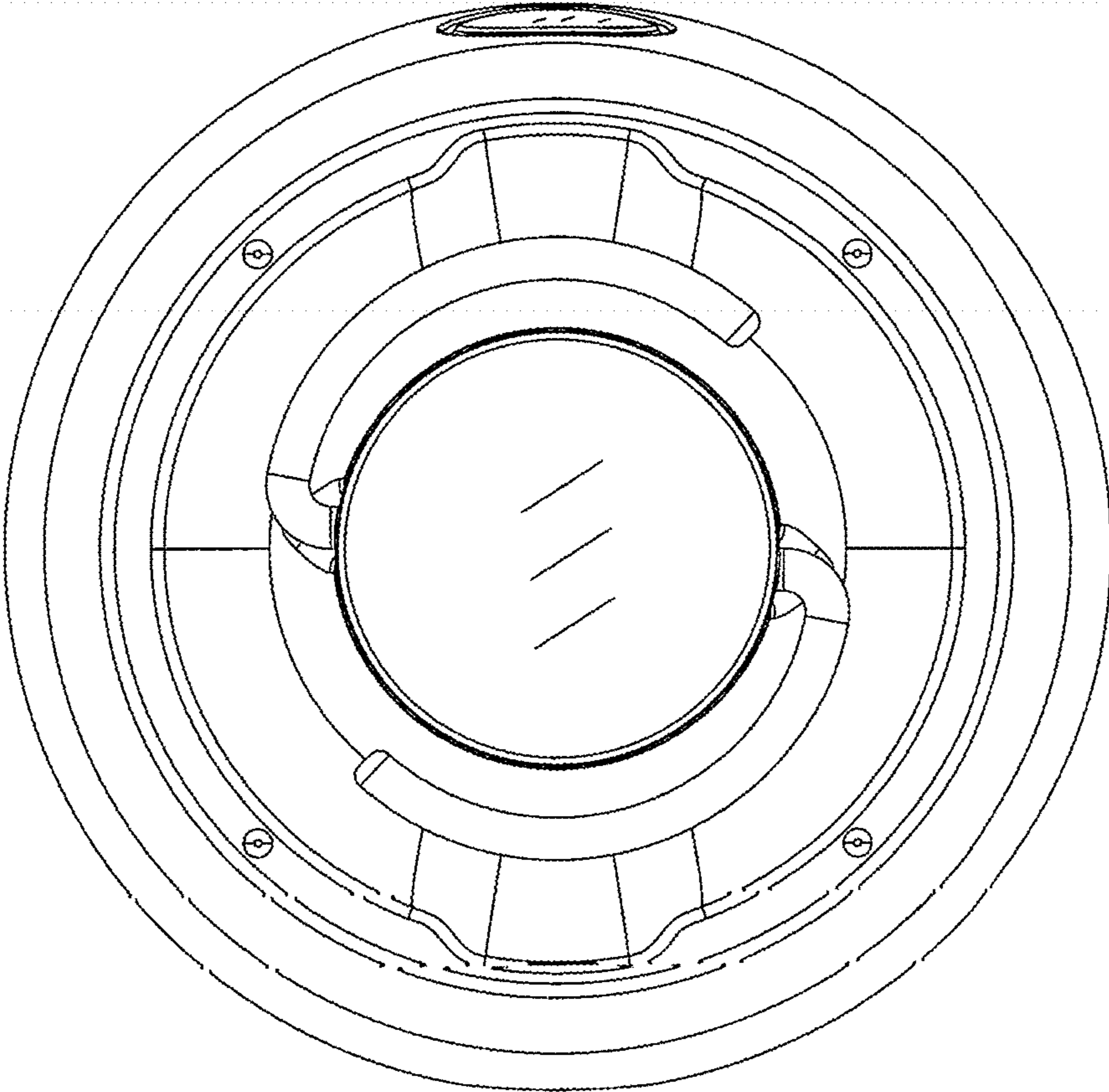


FIG. 6

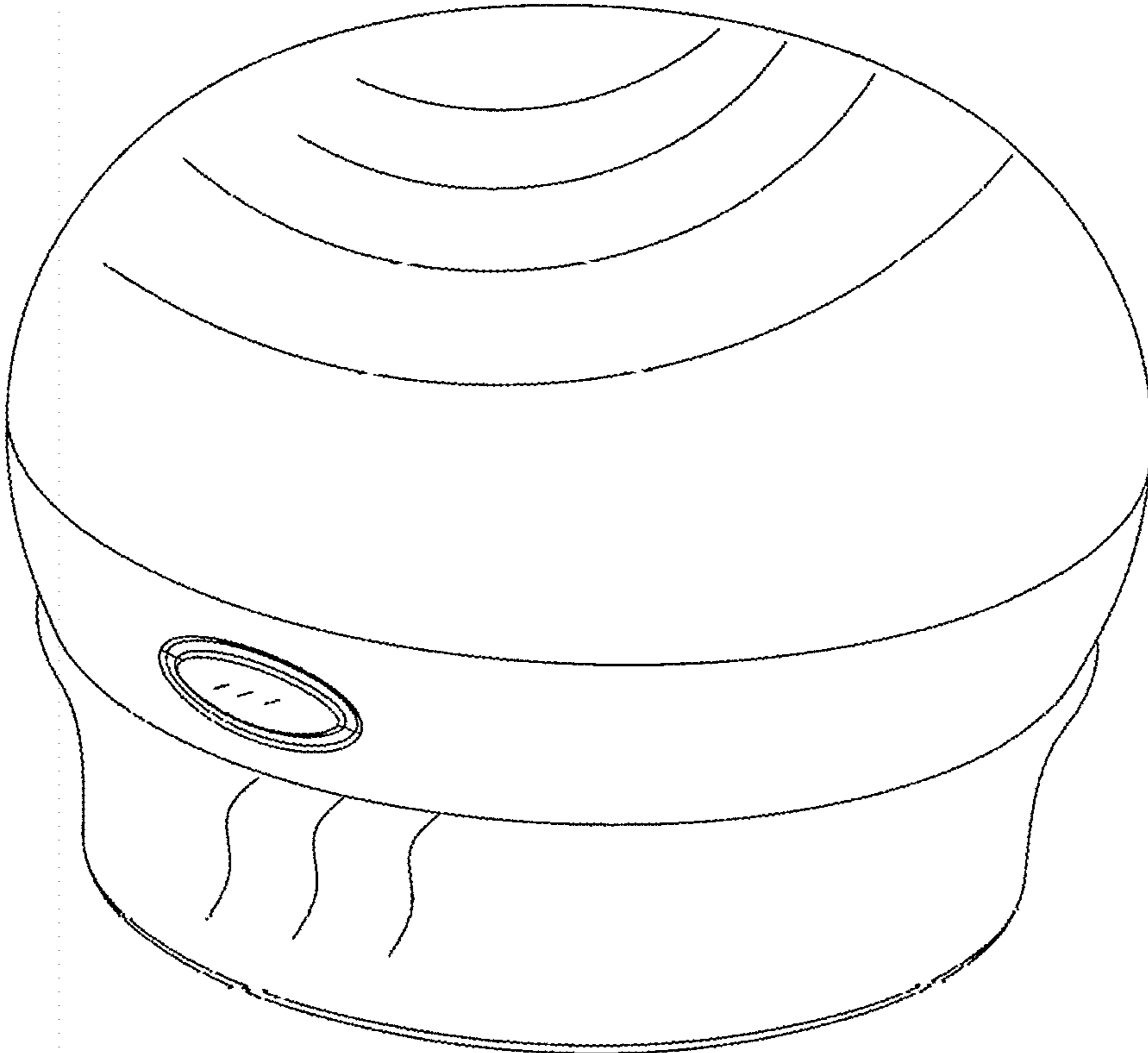


FIG. 7

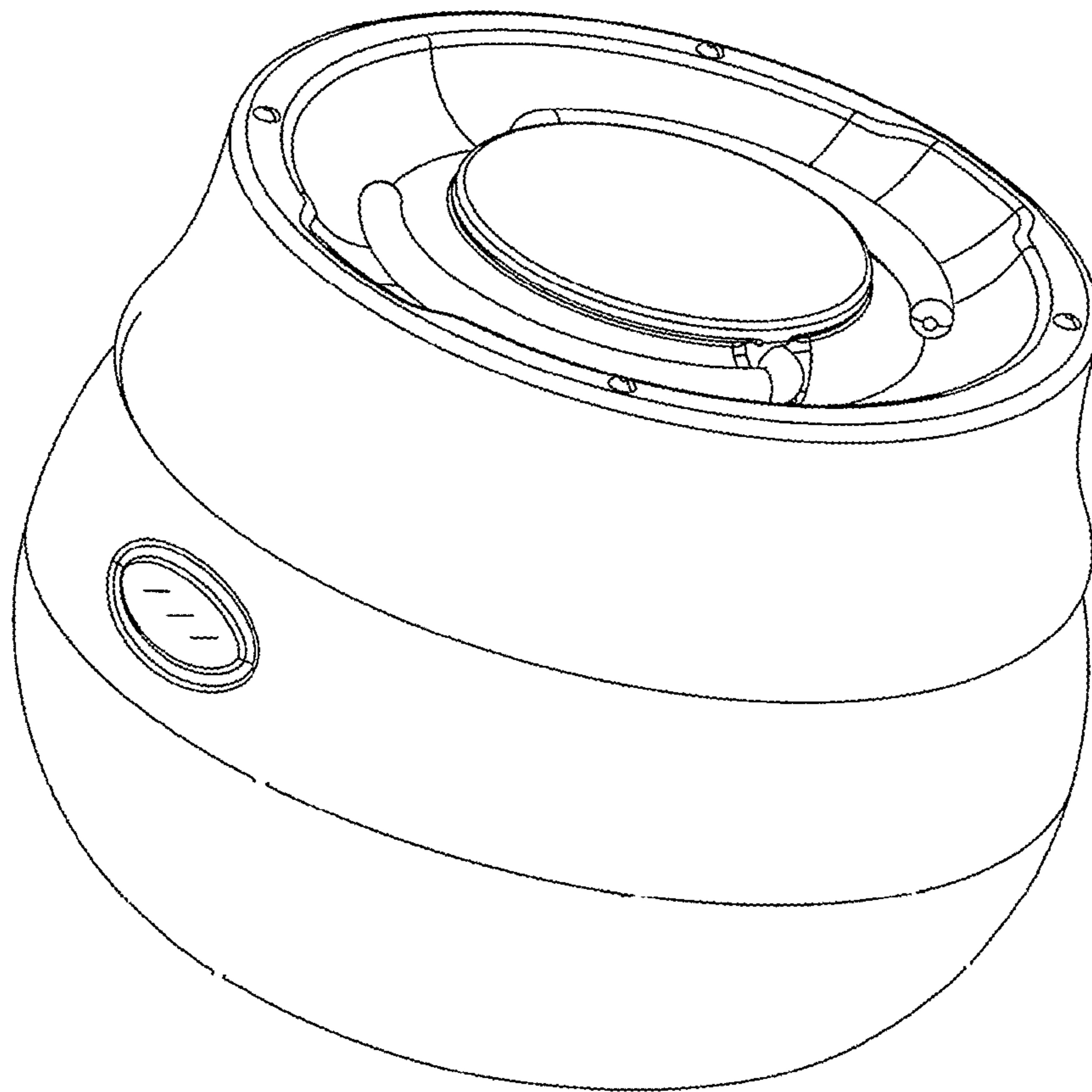


FIG. 8