



US00D765292S

(12) **United States Design Patent** (10) **Patent No.:** **US D765,292 S**  
**Liu et al.** (45) **Date of Patent:** **\*\* Aug. 30, 2016**

(54) **REAR COMBINATION LAMP FOR AN AUTOMOBILE**

(71) Applicant: **Nissan Motor Co., Ltd.**, Yokohama, Kanagawa (JP)

(72) Inventors: **En Hung Liu**, Beijing (CN); **Takashi Utsunomiya**, Kanagawa (JP); **Hisatugu Hirabayashi**, Kanagawa (JP)

(73) Assignee: **Nissan Motor Co., Ltd.**, Yokohama (JP)

(\*\*) Term: **15 Years**

(21) Appl. No.: **29/535,418**

(22) Filed: **Aug. 6, 2015**

(30) **Foreign Application Priority Data**

Feb. 10, 2015 (JP) ..... 2015-002648

(51) **LOC (10) Cl.** ..... **26-06**

(52) **U.S. Cl.**  
USPC ..... **D26/28**

(58) **Field of Classification Search**  
USPC ..... D26/28-36; 362/457-468, 475-478, 362/485-487

CPC ..... F21S 48/00; F21S 48/10; F21S 48/115; F21S 48/225; F21S 48/1233; F21S 48/1266; F21S 48/1388; F21S 48/2268; F21V 5/00  
See application file for complete search history.

(56) **References Cited**

**U.S. PATENT DOCUMENTS**

D455,508 S *	4/2002	Sinkwitz	.....	D26/28
D465,039 S *	10/2002	Murkett	.....	D26/28
D490,170 S *	5/2004	Metros	.....	D26/28
D491,298 S *	6/2004	Hall	.....	D26/28
D539,450 S *	3/2007	Pfeiffer	.....	D26/28

(Continued)

**FOREIGN PATENT DOCUMENTS**

JP	1268594 S	4/2006
JP	1271817 S	5/2006

(Continued)

*Primary Examiner* — Marcus Jackson

(74) *Attorney, Agent, or Firm* — Global IP Counselors, LLP

(57) **CLAIM**

The ornamental design for a rear combination lamp for an automobile, as shown and described.

**DESCRIPTION**

FIG. 1 is a front elevational view of a rear combination lamp for an automobile in accordance with a first embodiment of our new design;

FIG. 2 is a rear elevational view of the rear combination lamp in accordance with the first embodiment of our new design of FIG. 1;

FIG. 3 is a top plan view of the rear combination lamp in accordance with the first embodiment of our new design of FIGS. 1 and 2;

FIG. 4 is a bottom plan view of the rear combination lamp in accordance with the first embodiment of our new design of FIGS. 1 to 3;

FIG. 5 is a right side elevational view of the rear combination lamp in accordance with the first embodiment of our new design of FIGS. 1 to 4;

FIG. 6 is a left side elevational view of the rear combination lamp in accordance with the first embodiment of our new design of FIGS. 1 to 5; and,

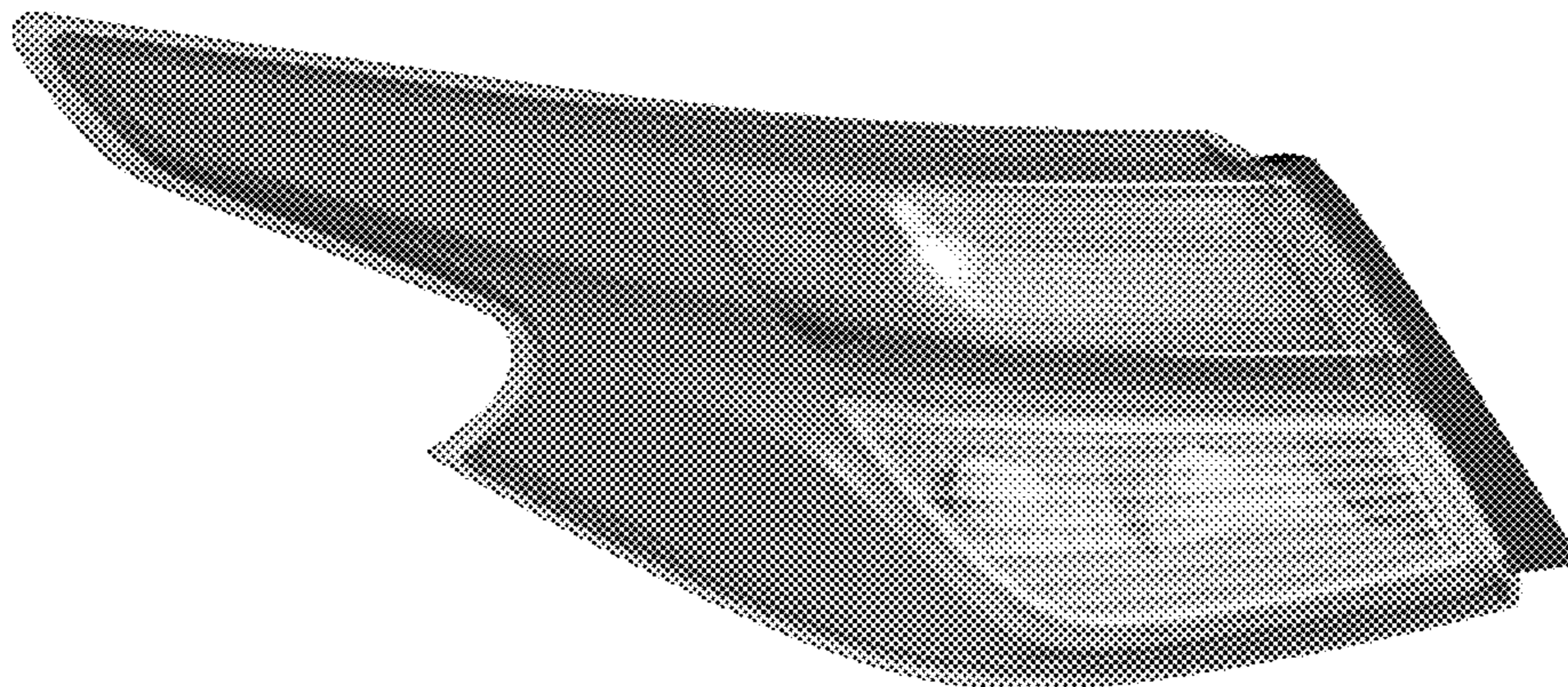
FIG. 7 is a front side perspective view of the rear combination lamp in accordance with the first embodiment of our new design of FIGS. 1 to 6.

The rear elevational view of FIG. 2 and the left side elevational view of FIG. 6 form no part of the claimed design. In addition, the rear combination lamp is configured to be mounted to an automobile. The mounting structure and support structure of the rear combination lamp, visible in FIGS. 2 to 7, form no part of the claimed design since the mounting structure and support structure are hidden when the rear combination lamp is mounted to the automobile.

In addition, the appearance of the rear side structures of the rear combination lamp as seen in FIGS. 2 to 7 is for purpose of illustrating the boundaries of the exterior surface of the rear combination lamp, and forms no part of the claimed design.

A second embodiment of our new design is identical to the first embodiment. The second embodiment of our new design includes the mirror image of the rear combination lamp shown in FIGS. 1 to 7.

**1 Claim, 7 Drawing Sheets**



(56)

**References Cited**

U.S. PATENT DOCUMENTS					
D565,211 S *	3/2008	Haller .....	D26/28	JP	1403156 S 12/2011
D596,323 S	7/2009	Ishizuka et al.		JP	1444786 S 6/2012
D671,248 S	11/2012	Fuchigami et al.		JP	1474632 S 7/2013
D674,939 S *	1/2013	Lai .....	D26/28	JP	1479633 S 9/2013
D696,444 S	12/2013	Ishizuka et al.		JP	1486867 S 12/2013
D706,965 S	6/2014	Katou et al.		JP	1493070 S 3/2014
D709,632 S	7/2014	Sato et al.		JP	1498533 S 6/2014
D709,633 S	7/2014	Kabata		JP	1499544 S 6/2014
				JP	1503584 S 7/2014
				JP	1486354 S 12/2014
				JP	1513122 S 12/2014
				JP	1501253 S 6/2015
				JP	1538807 S 11/2015

FOREIGN PATENT DOCUMENTS

JP	1348561 S	1/2009
JP	1359740 S	5/2009

\* cited by examiner

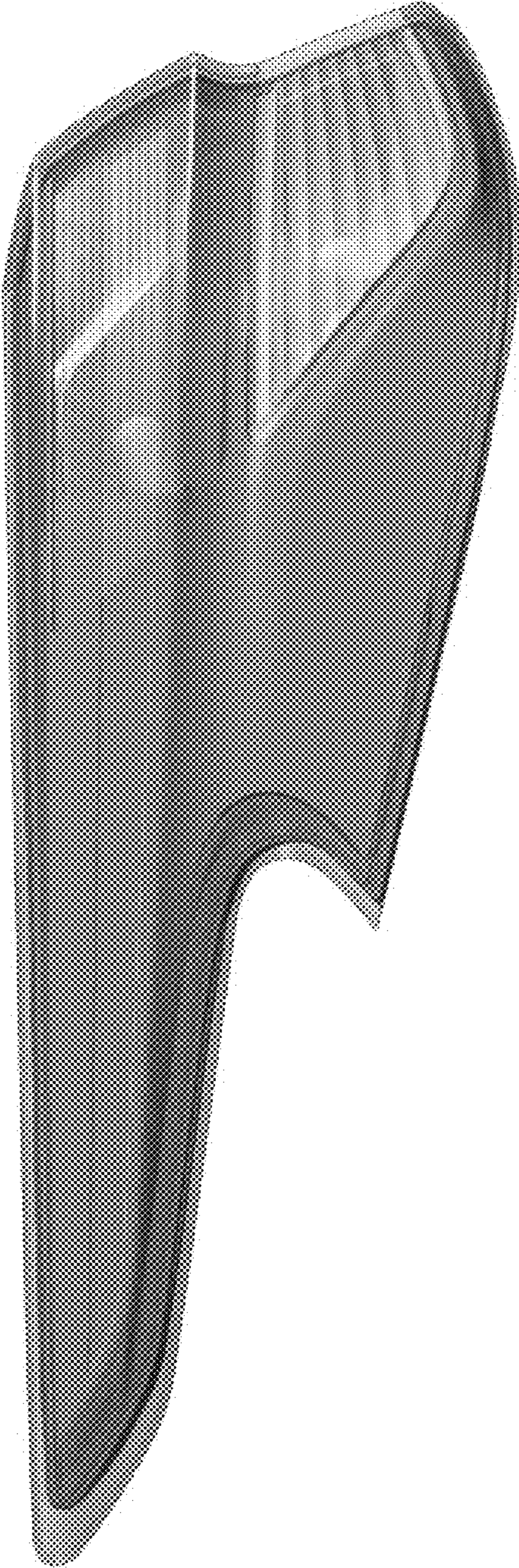


FIG. 1

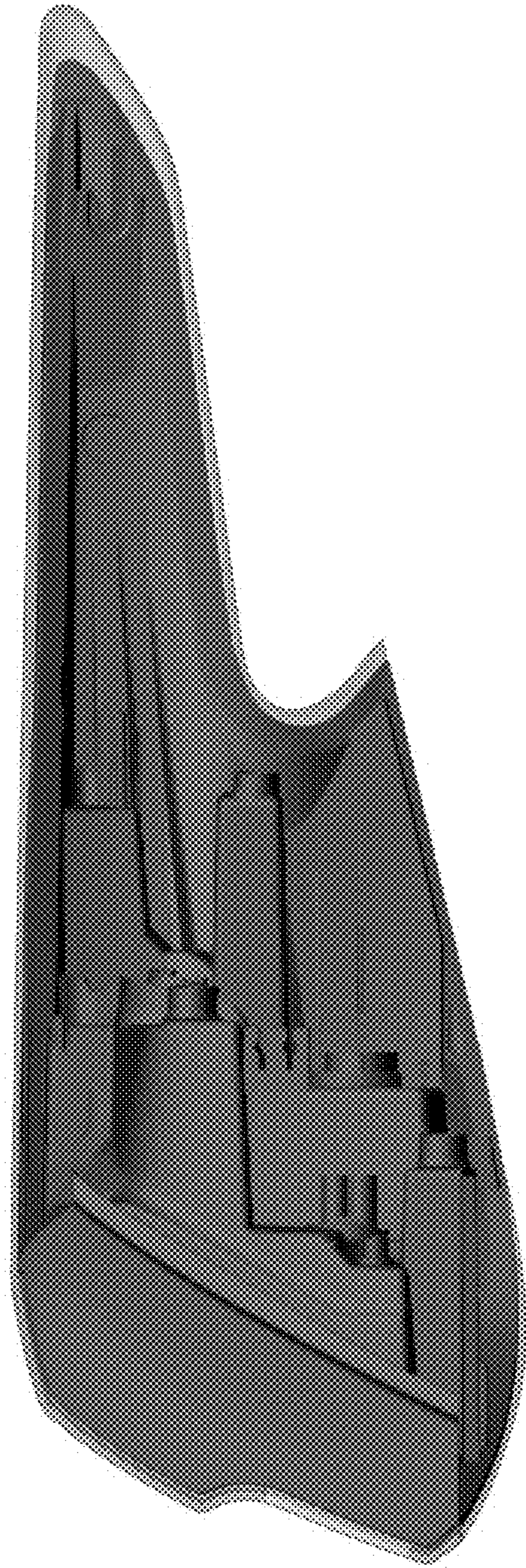


FIG. 2

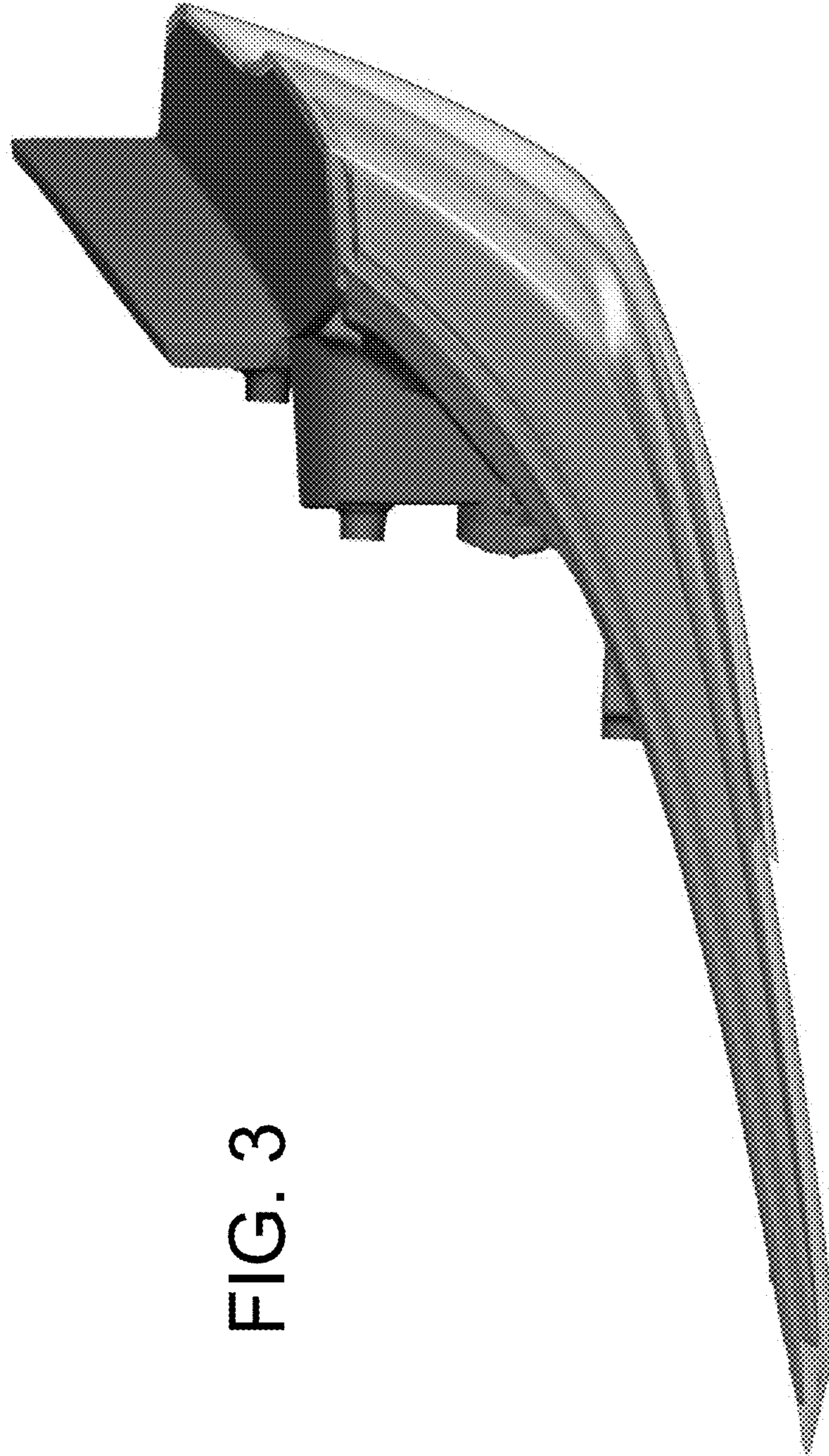


FIG. 3

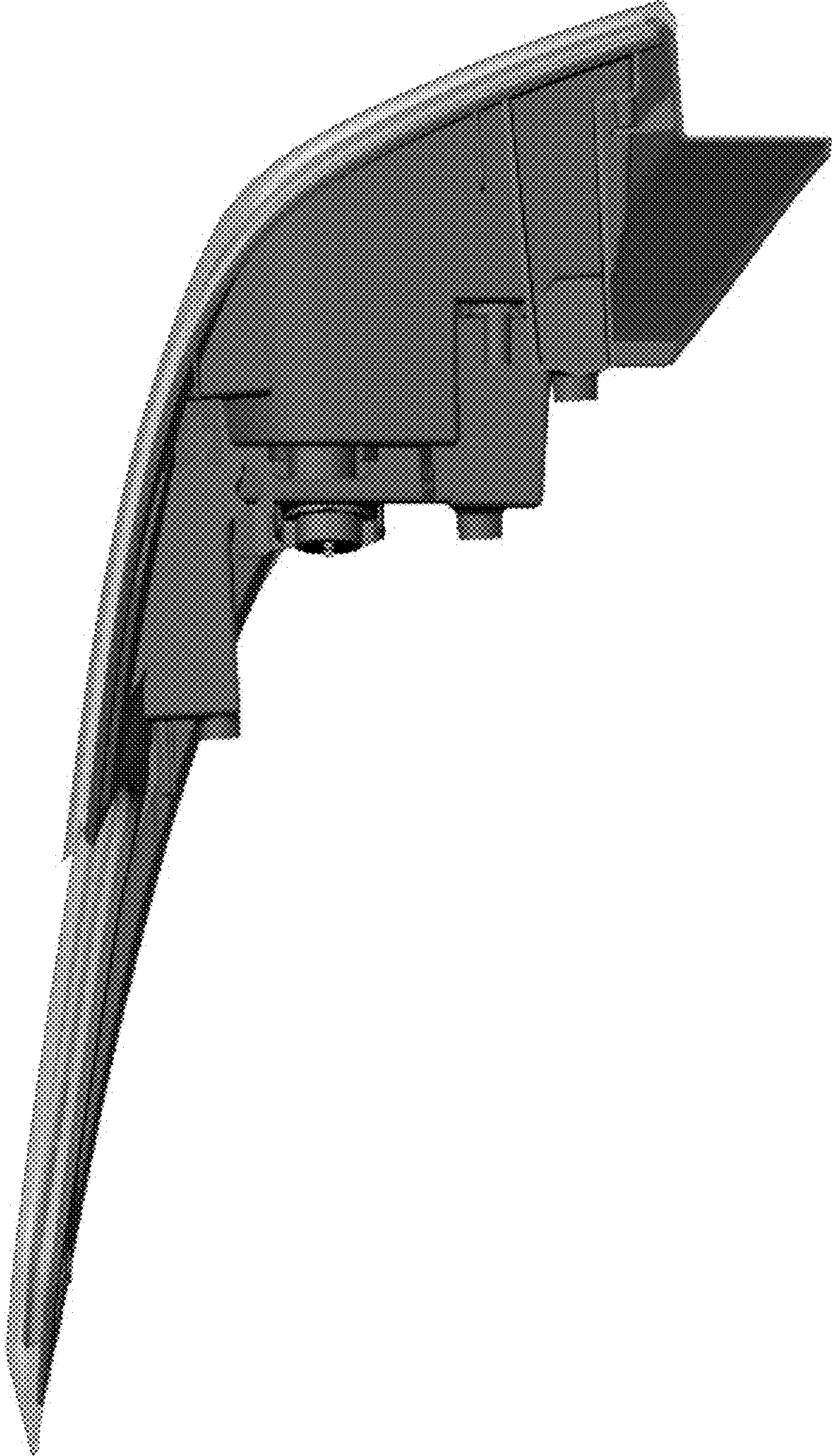


FIG. 4



FIG. 5

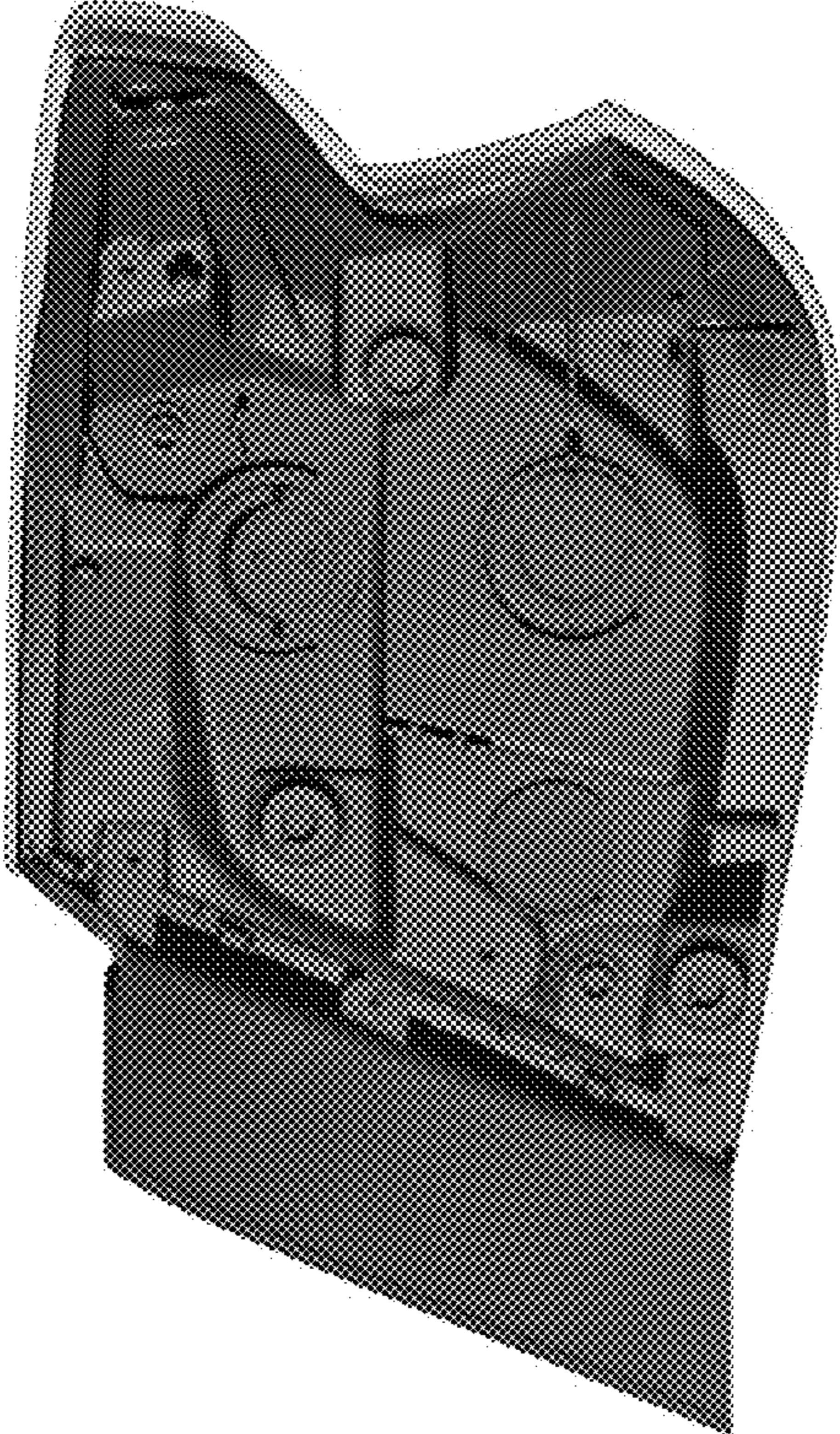


FIG. 6



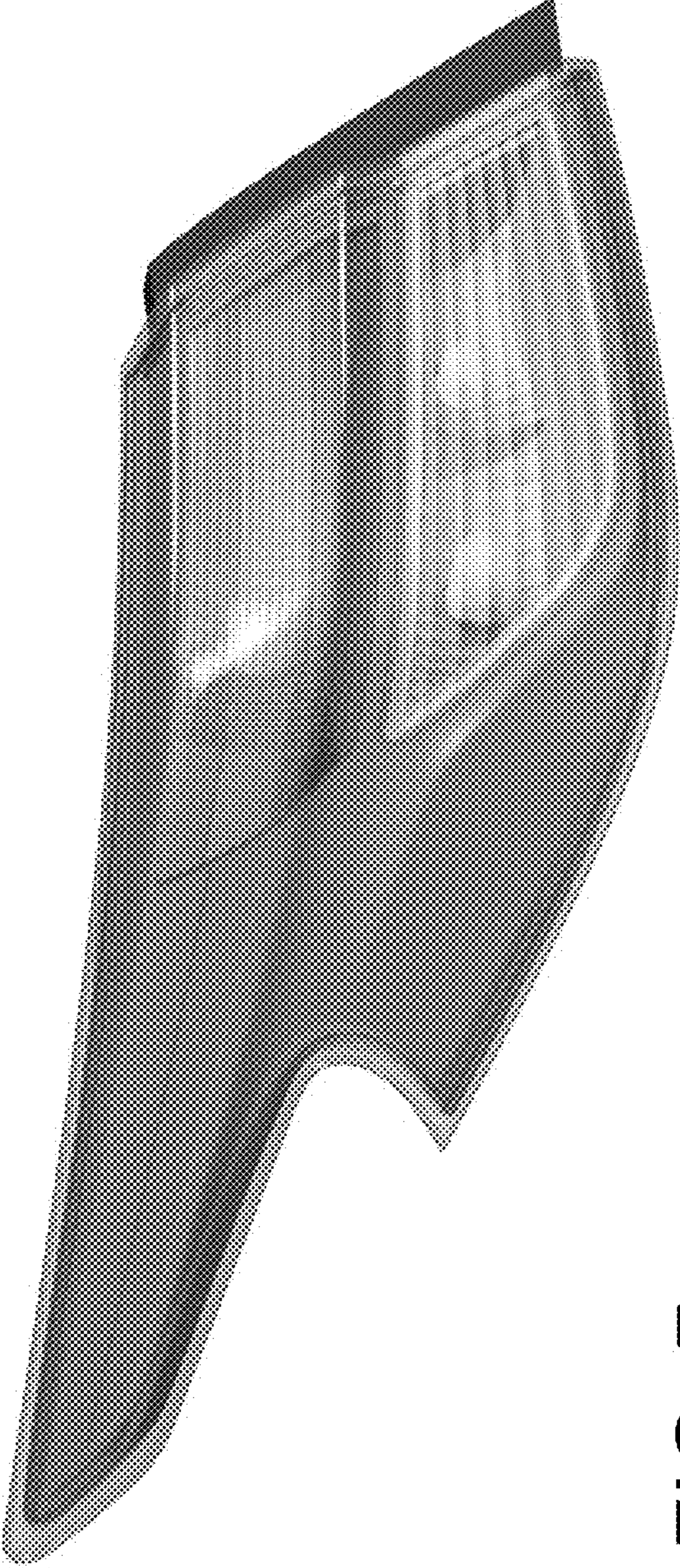


FIG. 7