

US00D765288S

(12) **United States Design Patent**  
**Ueda**

(10) **Patent No.:** **US D765,288 S**  
(45) **Date of Patent:** **\*\* Aug. 30, 2016**

(54) **HEADLAMP FOR A BICYCLE**  
(71) Applicant: **Cateye Co., Ltd.**, Osaka (JP)  
(72) Inventor: **Takashi Ueda**, Osaka (JP)  
(73) Assignee: **Cateye Co., Ltd.**, Osaka (JP)  
(\*\*) Term: **15 Years**

D586,931 S \* 2/2009 Tseng ..... D26/28  
D697,241 S \* 1/2014 Chen ..... D26/28  
D712,077 S \* 8/2014 Leban ..... D26/28  
D715,976 S \* 10/2014 Chou ..... D26/28  
D715,980 S \* 10/2014 Ueda ..... D26/28  
D735,908 S \* 8/2015 Ko ..... D26/28  
D738,014 S \* 9/2015 Lin ..... D26/28  
D739,577 S \* 9/2015 Kani ..... D26/28  
D745,727 S \* 12/2015 Ruthling ..... D26/28  
D747,516 S \* 1/2016 Yang ..... D26/28  
D748,831 S \* 2/2016 Fan ..... D26/28

(21) Appl. No.: **29/529,462**

(22) Filed: **Jun. 8, 2015**

(30) **Foreign Application Priority Data**

Dec. 12, 2014 (JP) ..... 2014-027829

(51) **LOC (10) Cl.** ..... **26-07**

(52) **U.S. Cl.**  
USPC ..... **D26/28**

(58) **Field of Classification Search**  
USPC ..... D26/28-36; 362/459-468, 475-478,  
362/485-487  
CPC ..... F21S 48/00; F21S 48/10; F21S 48/115;  
F21S 48/225; F21S 48/1233; F21S 48/1266;  
F21S 48/1388; F21S 48/2268; F21V 21/04  
See application file for complete search history.

(56) **References Cited**

**U.S. PATENT DOCUMENTS**

D370,986 S \* 6/1996 Koch ..... D26/28  
D393,085 S \* 3/1998 Mayer ..... D26/28

**FOREIGN PATENT DOCUMENTS**

TW D119315 10/2007  
TW D123159 6/2008

\* cited by examiner

*Primary Examiner* — Angela J Lee

(74) *Attorney, Agent, or Firm* — Arnstein & Lehr LLP

(57) **CLAIM**

The ornamental design for a headlamp for a bicycle, as shown.

**DESCRIPTION**

FIG. 1 is a perspective view of a headlamp for a bicycle showing my new design;

FIG. 2 is a front view thereof;

FIG. 3 is a rear view thereof;

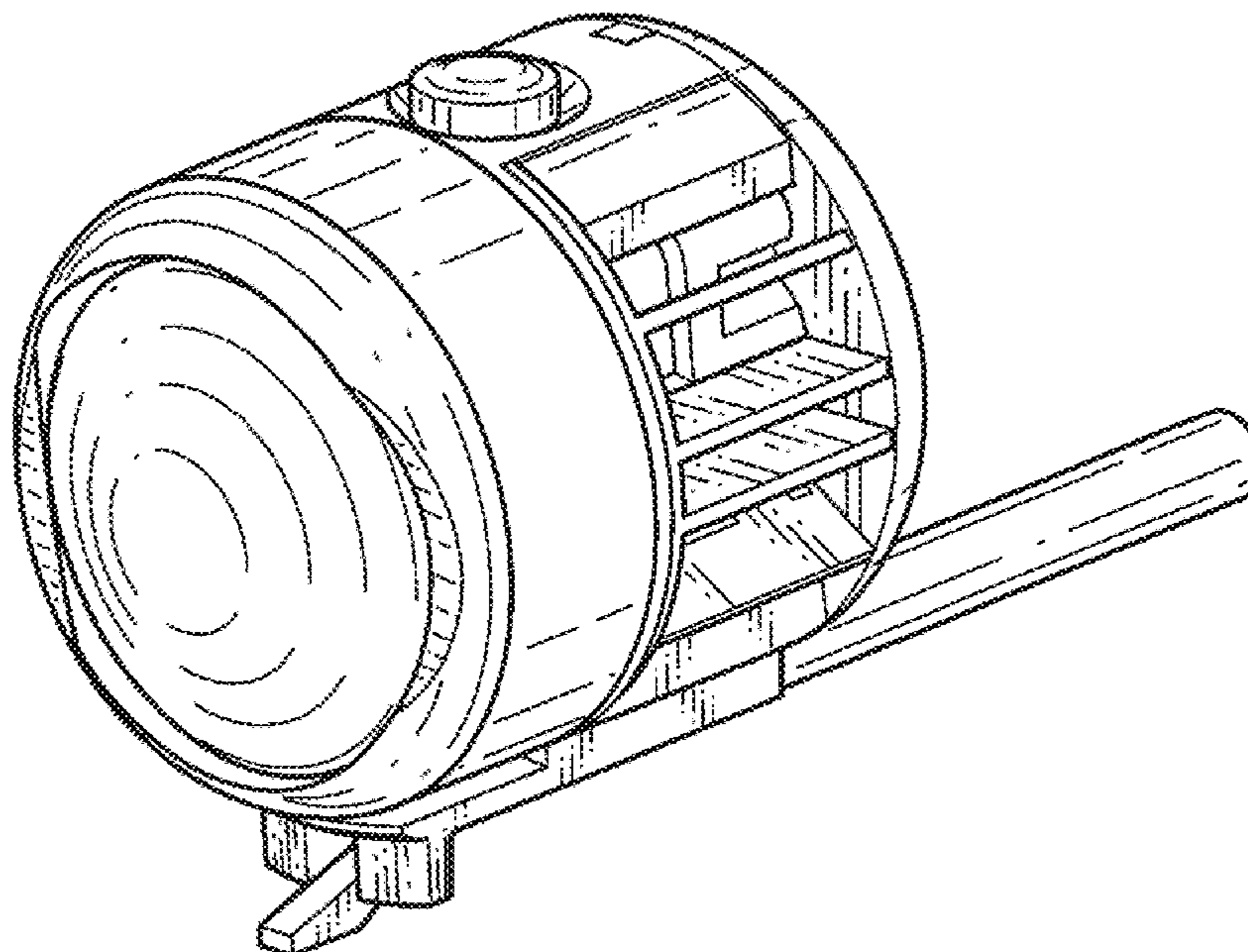
FIG. 4 is a top plan view thereof;

FIG. 5 is a bottom plan view thereof;

FIG. 6 is a right side view thereof; and,

FIG. 7 is a left side view thereof.

**1 Claim, 4 Drawing Sheets**



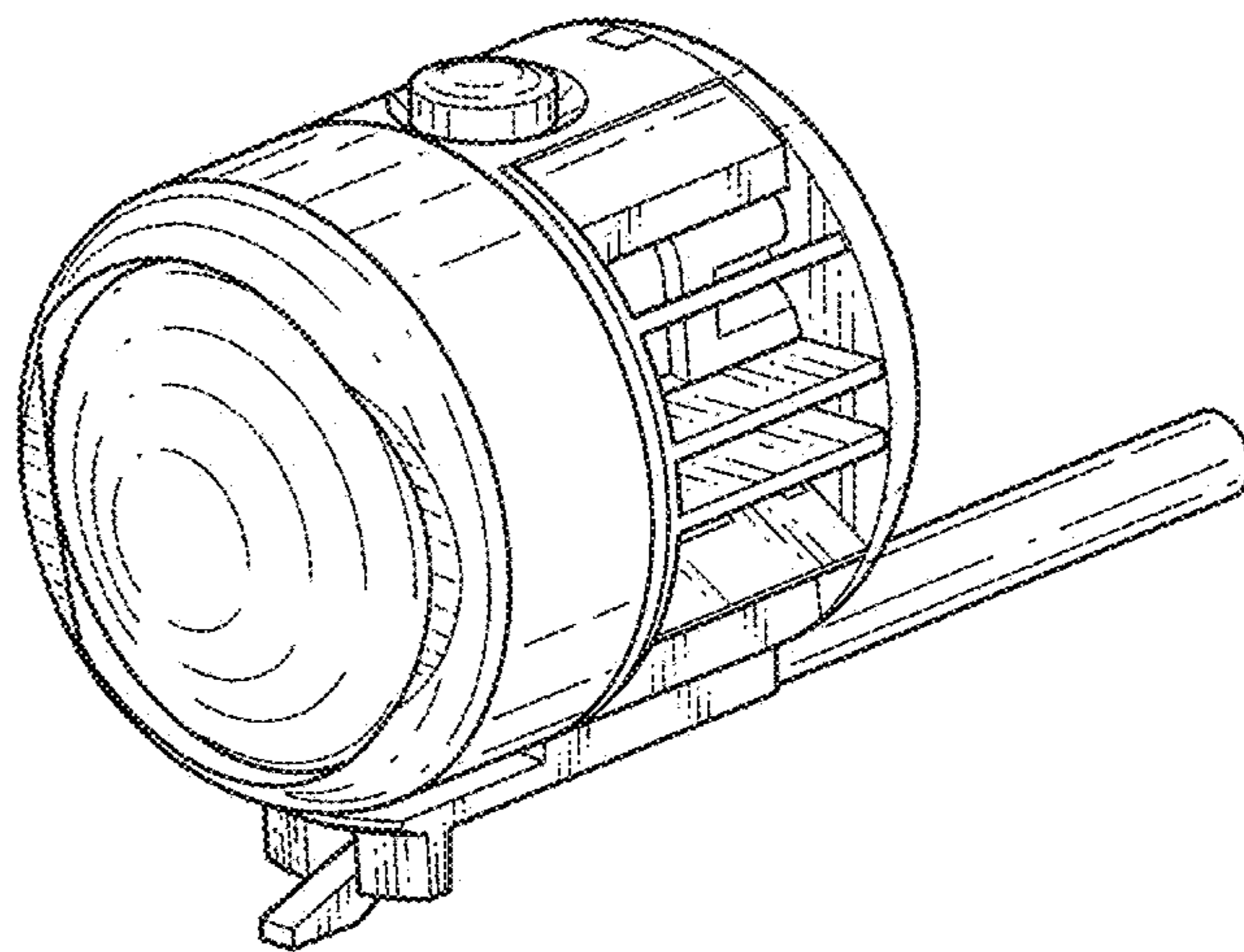


Fig. 1

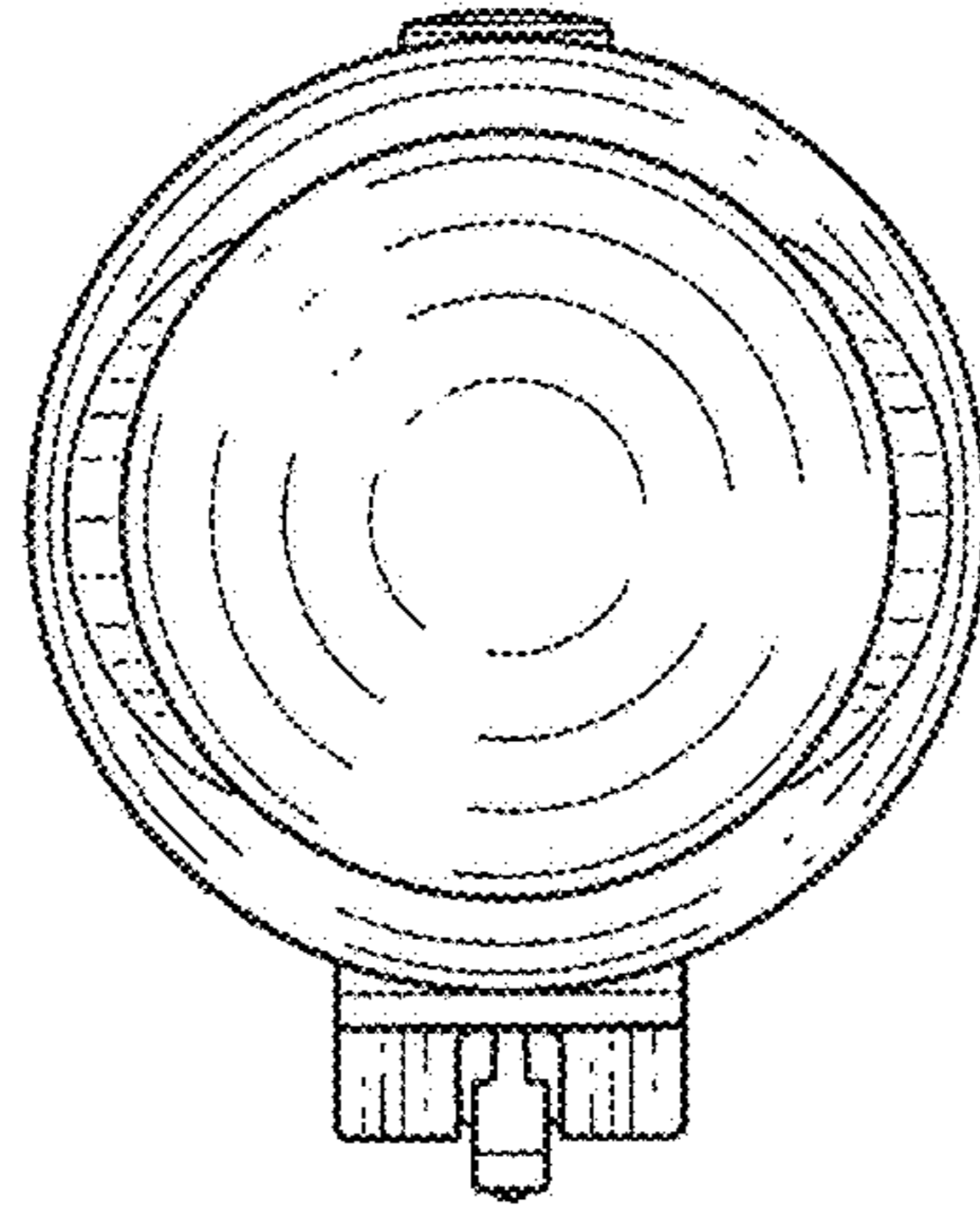


Fig. 2

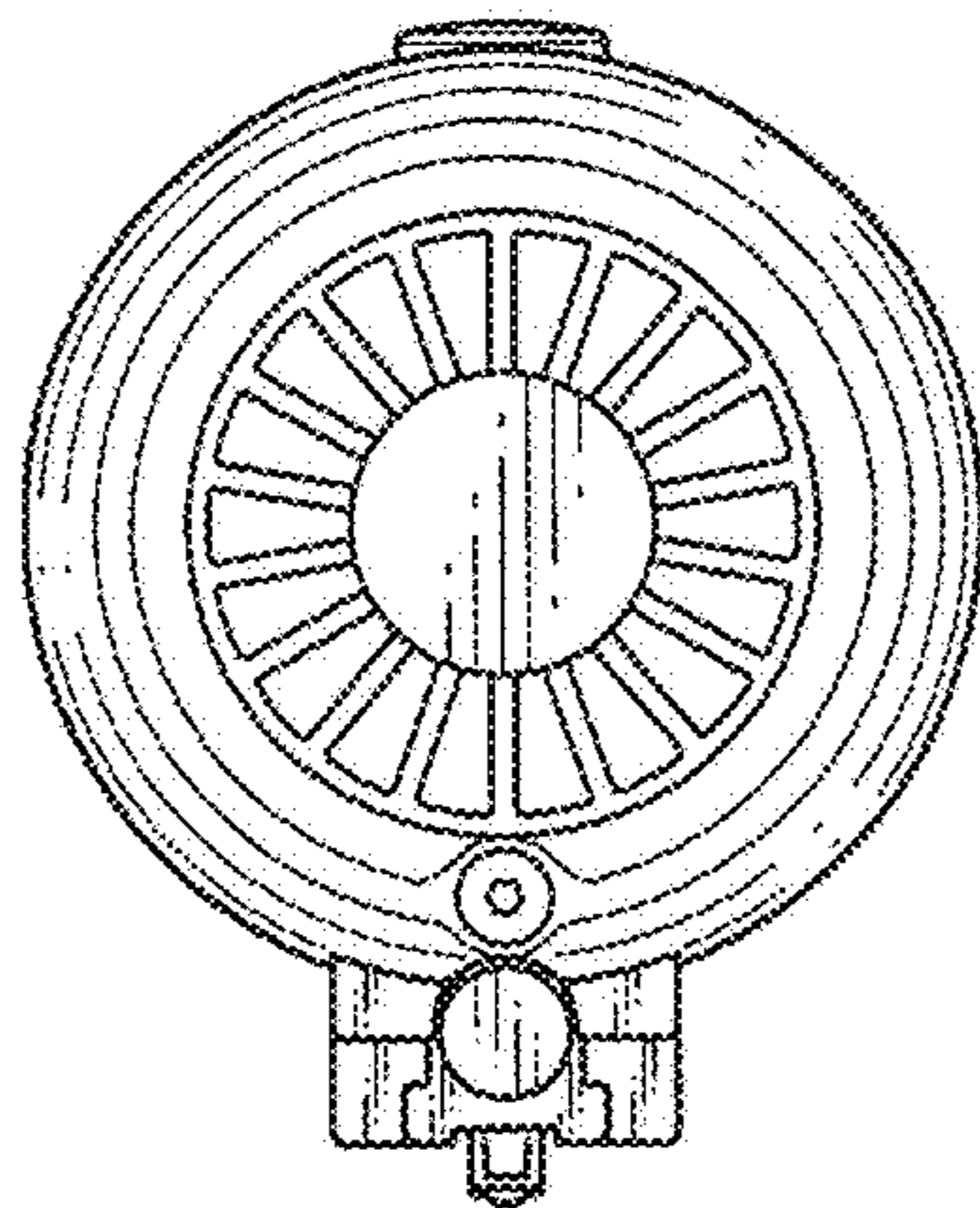


Fig. 3

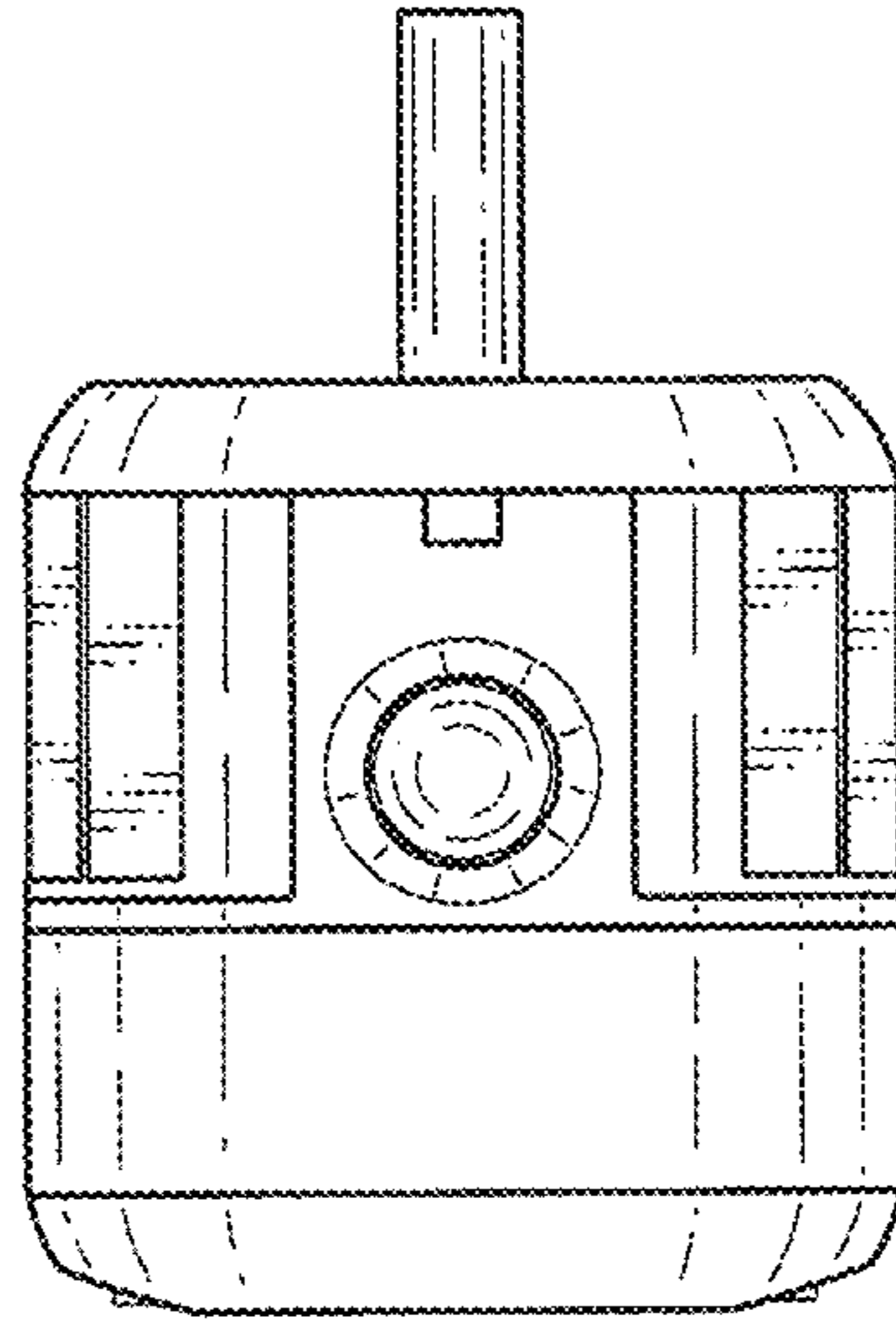


Fig. 4

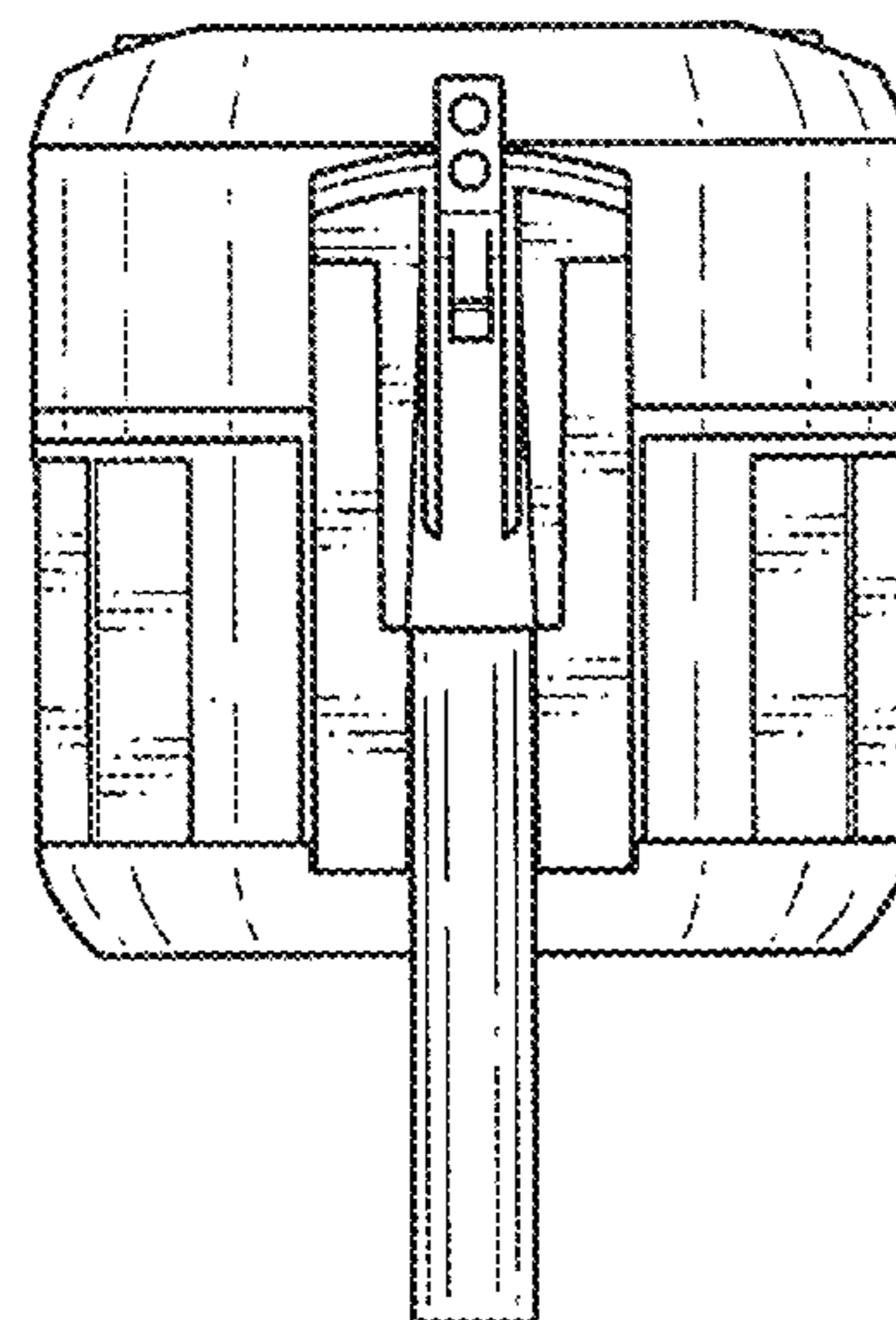


Fig. 5

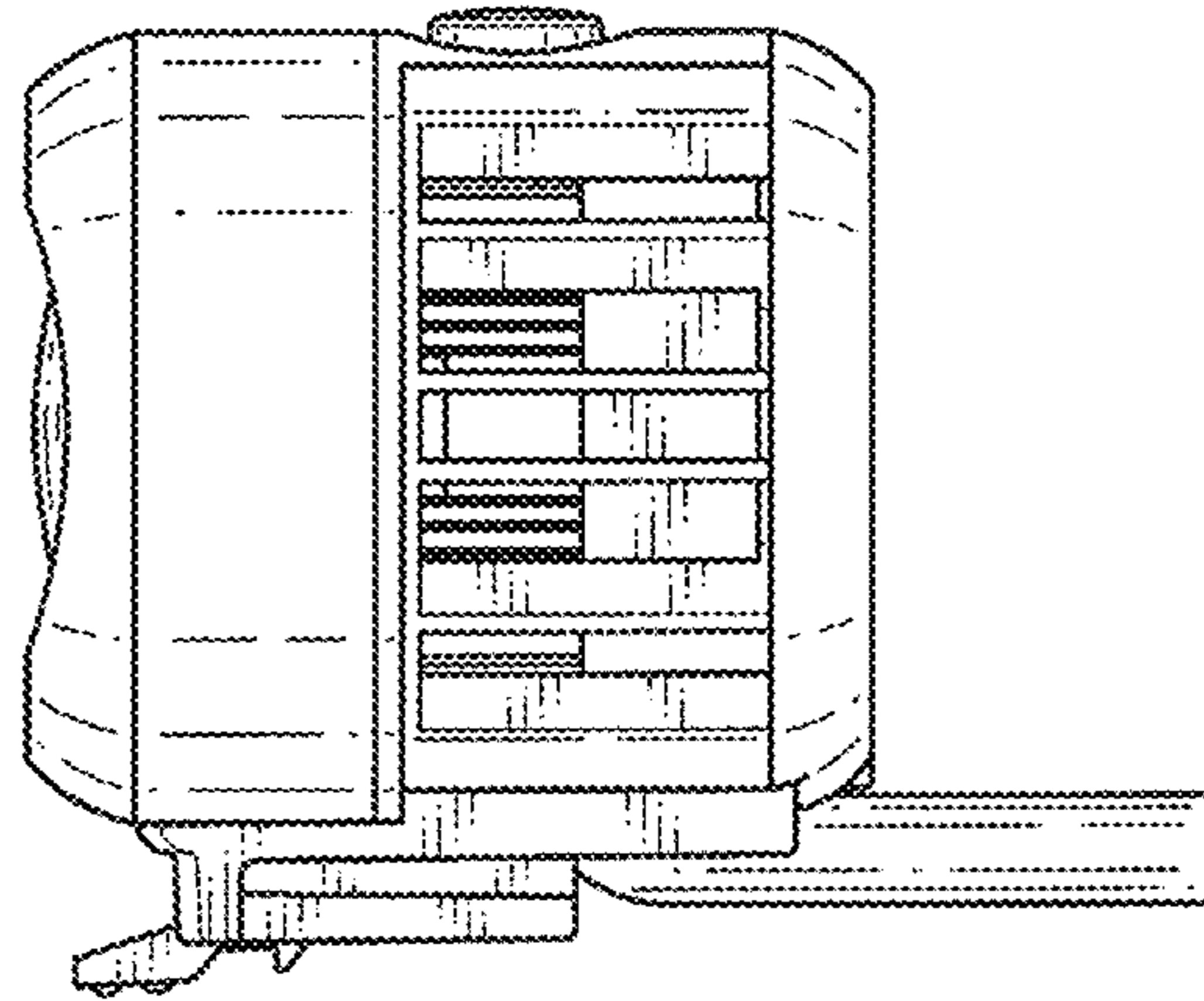


Fig. 6

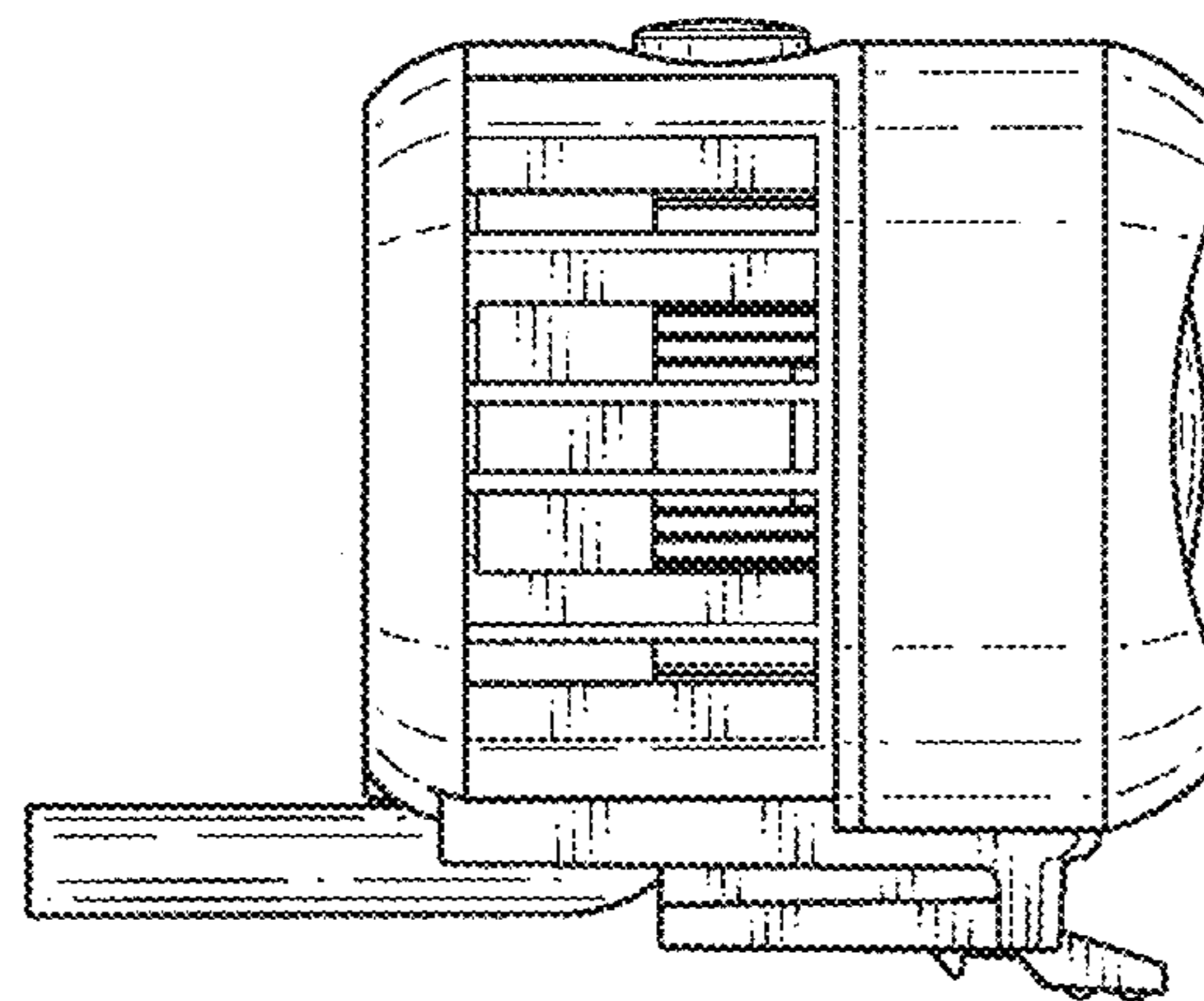


Fig. 7