

US00D765287S

(12) **United States Design Patent**
Kosugi et al.

(10) **Patent No.:** **US D765,287 S**

(45) **Date of Patent:** **** Aug. 30, 2016**

(54) **LAMP FOR VEHICLE**

(71) Applicant: **KOITO MANUFACTURING CO., LTD.**, Tokyo (JP)

(72) Inventors: **Kazutaka Kosugi**, Shizuoka (JP);
Kaoru Yamamoto, Shizuoka (JP)

(73) Assignee: **KOITO MANUFACTURING CO., LTD.**, Tokyo (JP)

(**) Term: **15 Years**

(21) Appl. No.: **29/527,894**

(22) Filed: **May 22, 2015**

(30) **Foreign Application Priority Data**

Apr. 24, 2015 (JP) 2015-009342

(51) **LOC (10) Cl.** **28-07**

(52) **U.S. Cl.**
USPC **D26/28**

(58) **Field of Classification Search**
USPC D26/28-36; 362/459-468, 475-478,
362/485-487
CPC F21S 48/00; F21S 48/10; F21S 48/115;
F21S 48/225; F21S 48/1233; F21S 48/1266;
F21S 48/1388; F21S 48/2268; F21V 21/04
See application file for complete search history.

(56) **References Cited**

U.S. PATENT DOCUMENTS

D296,367 S * 6/1988 Karlberg D26/28
D304,861 S * 11/1989 Schmidt D26/29

D356,169 S * 3/1995 Lyons D26/28
D425,223 S * 5/2000 Li D10/111
D476,100 S * 6/2003 Lin D26/28
D493,239 S * 7/2004 Kneefel D26/28
D497,017 S * 10/2004 He D26/28
D577,448 S * 9/2008 Chen D26/28
D586,012 S * 2/2009 Lin D26/28
D643,955 S * 8/2011 Tsai D26/28
D695,433 S * 12/2013 Mascadri D26/28
D709,226 S * 7/2014 DiPenti D26/28

* cited by examiner

Primary Examiner — Angela J Lee

(74) *Attorney, Agent, or Firm* — Sughrue Mion, PLLC

(57) **CLAIM**

The ornamental design for a lamp for vehicle, as shown and described.

DESCRIPTION

FIG. 1 is a perspective view of a lamp for vehicle showing our new design;
FIG. 2 is a front view thereof;
FIG. 3 is a rear view thereof;
FIG. 4 is a top view thereof;
FIG. 5 is a bottom view thereof;
FIG. 6 is a left side view thereof; and,
FIG. 7 is a right side view thereof.
The broken lines are included for the purpose of showing portions of the lamp for vehicle that form no part of the claimed design.

1 Claim, 7 Drawing Sheets

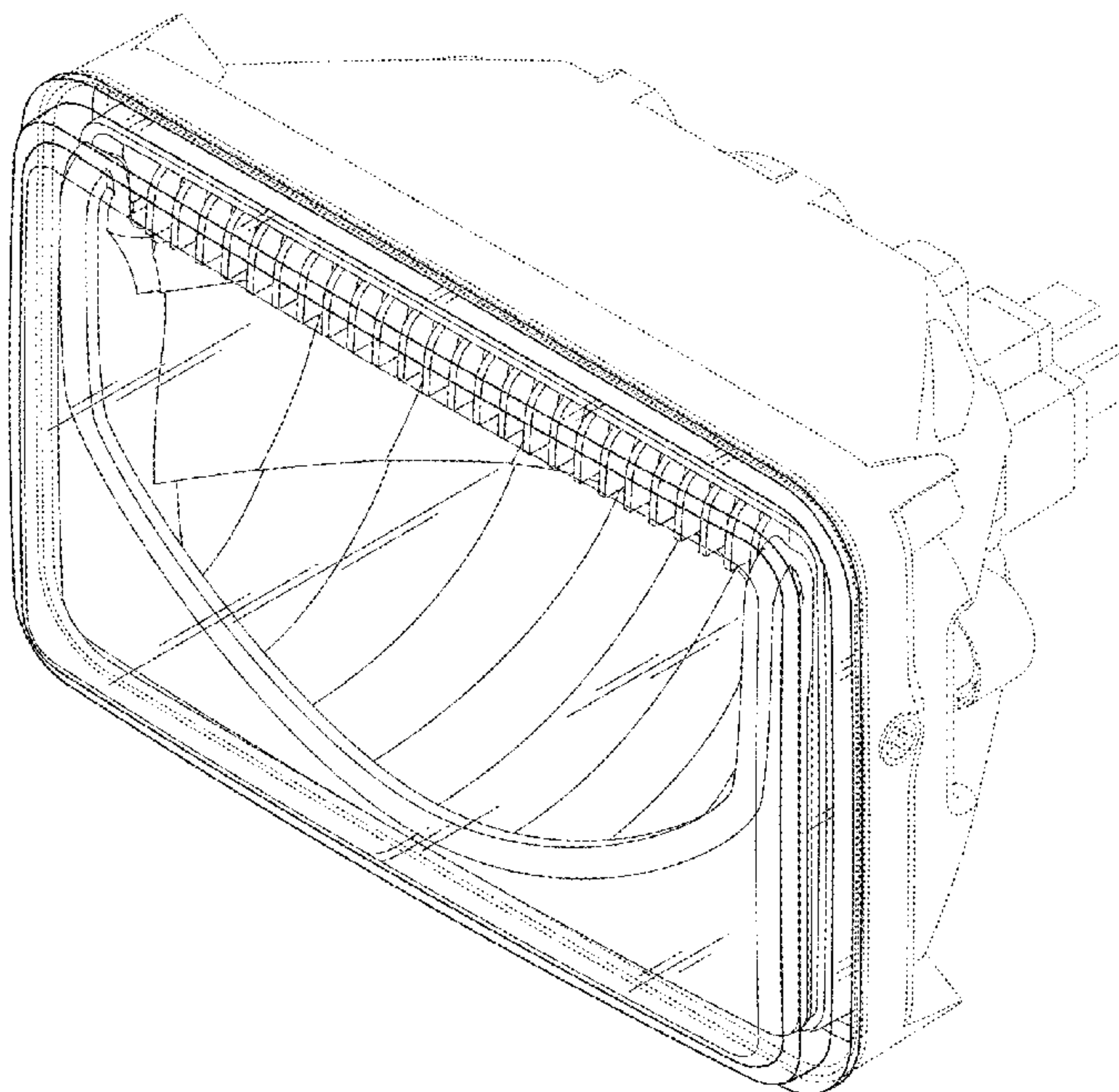


Fig. 1

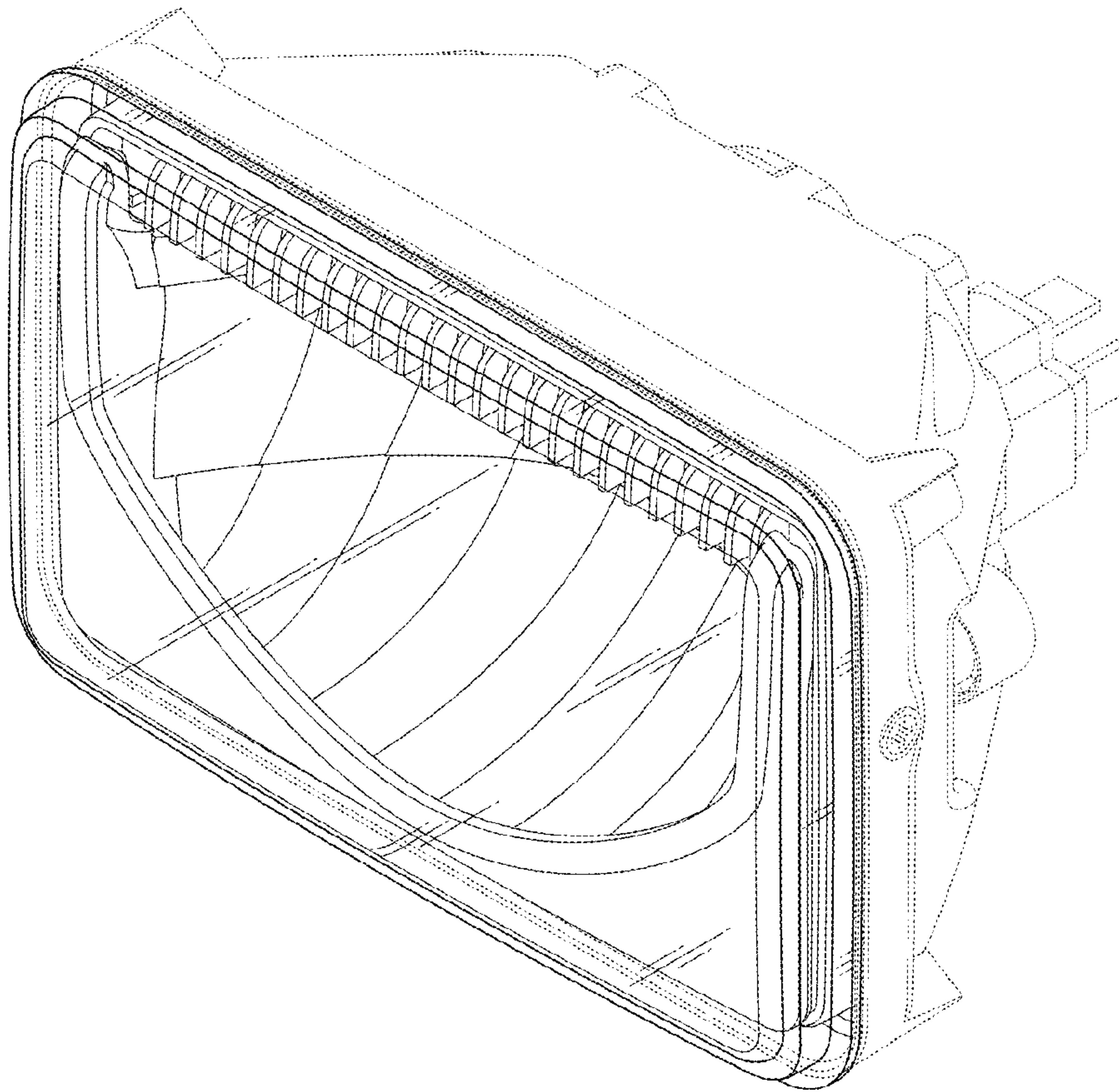


Fig. 2

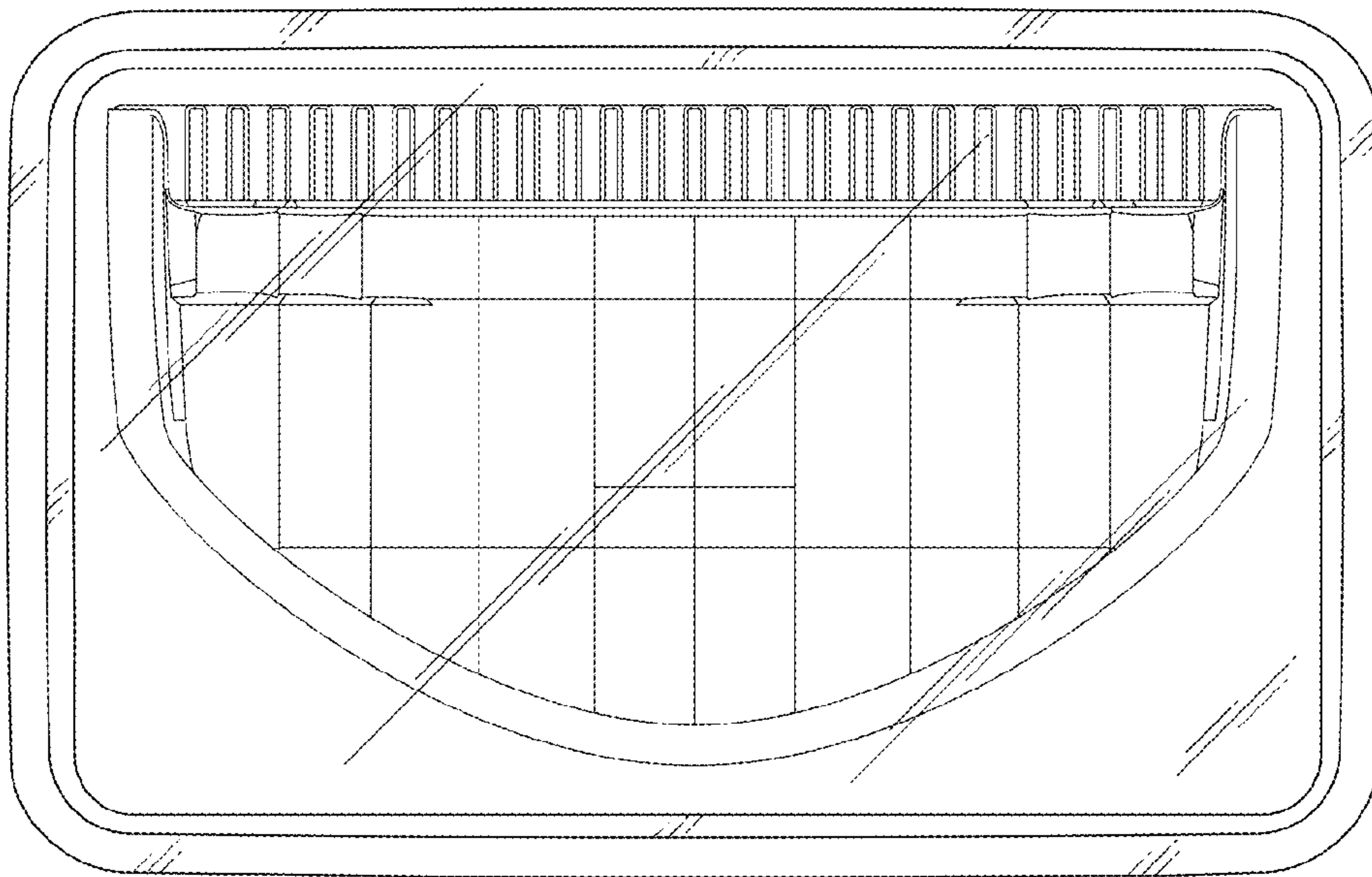


Fig. 3

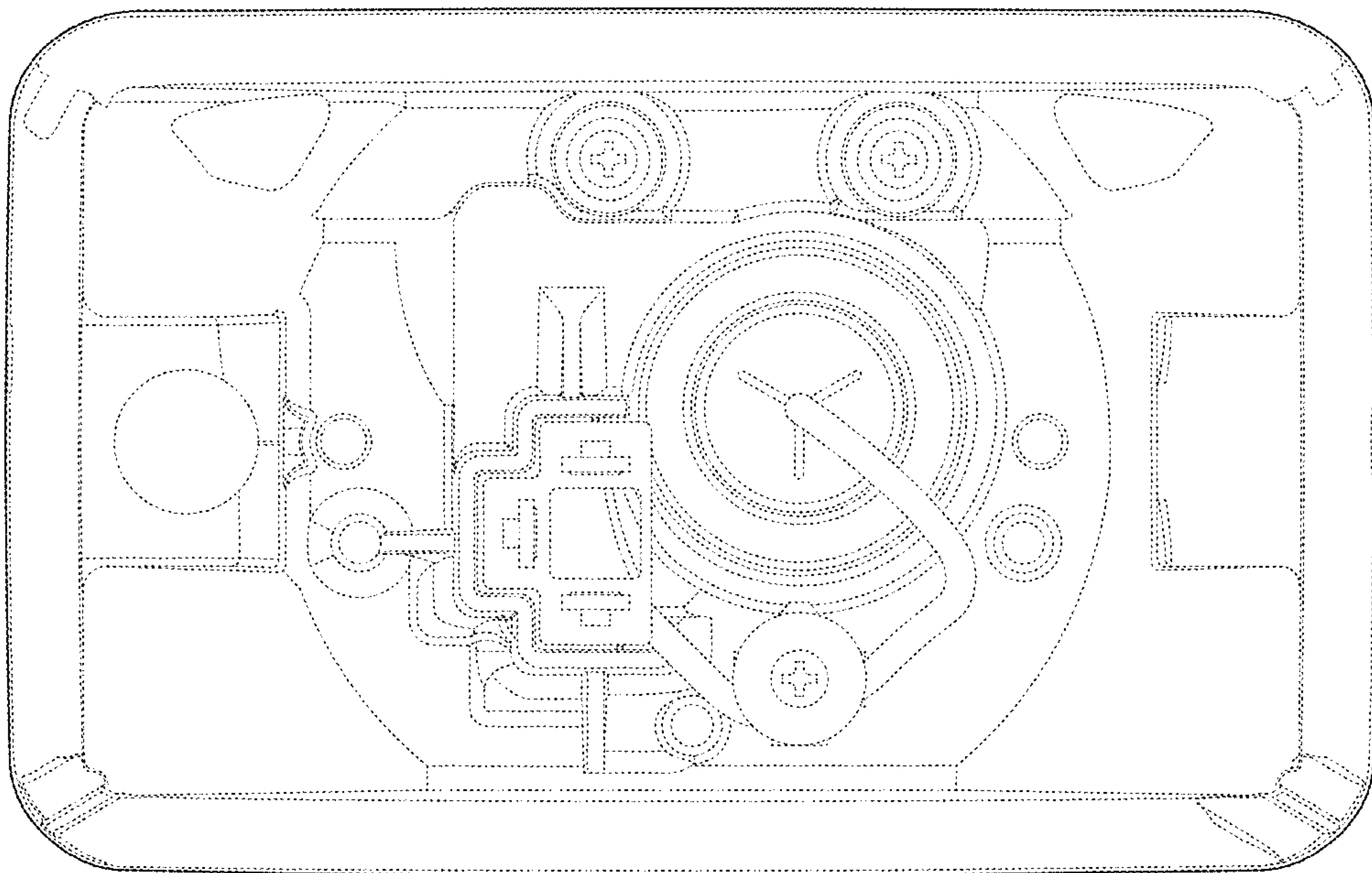


Fig. 4

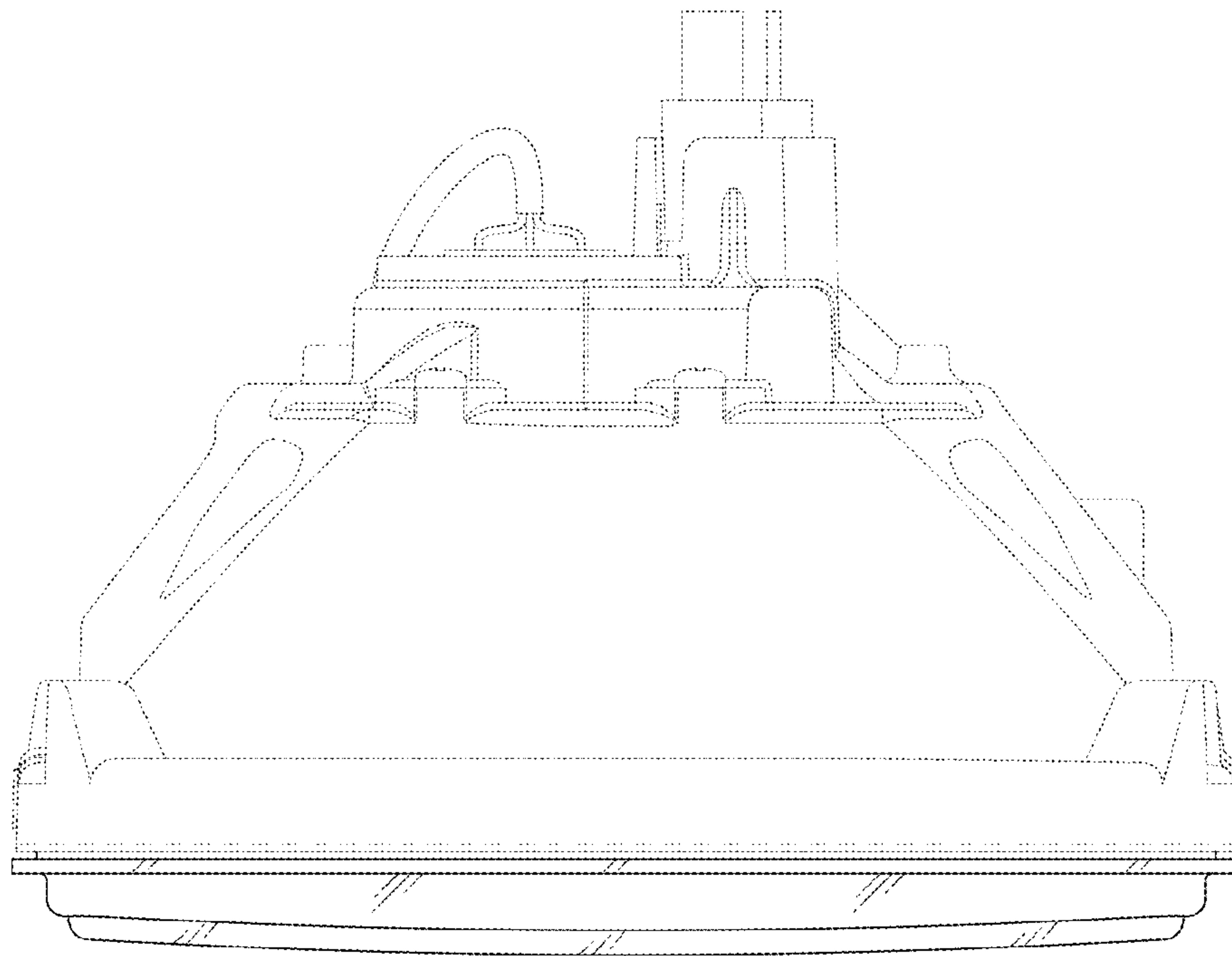


Fig. 5

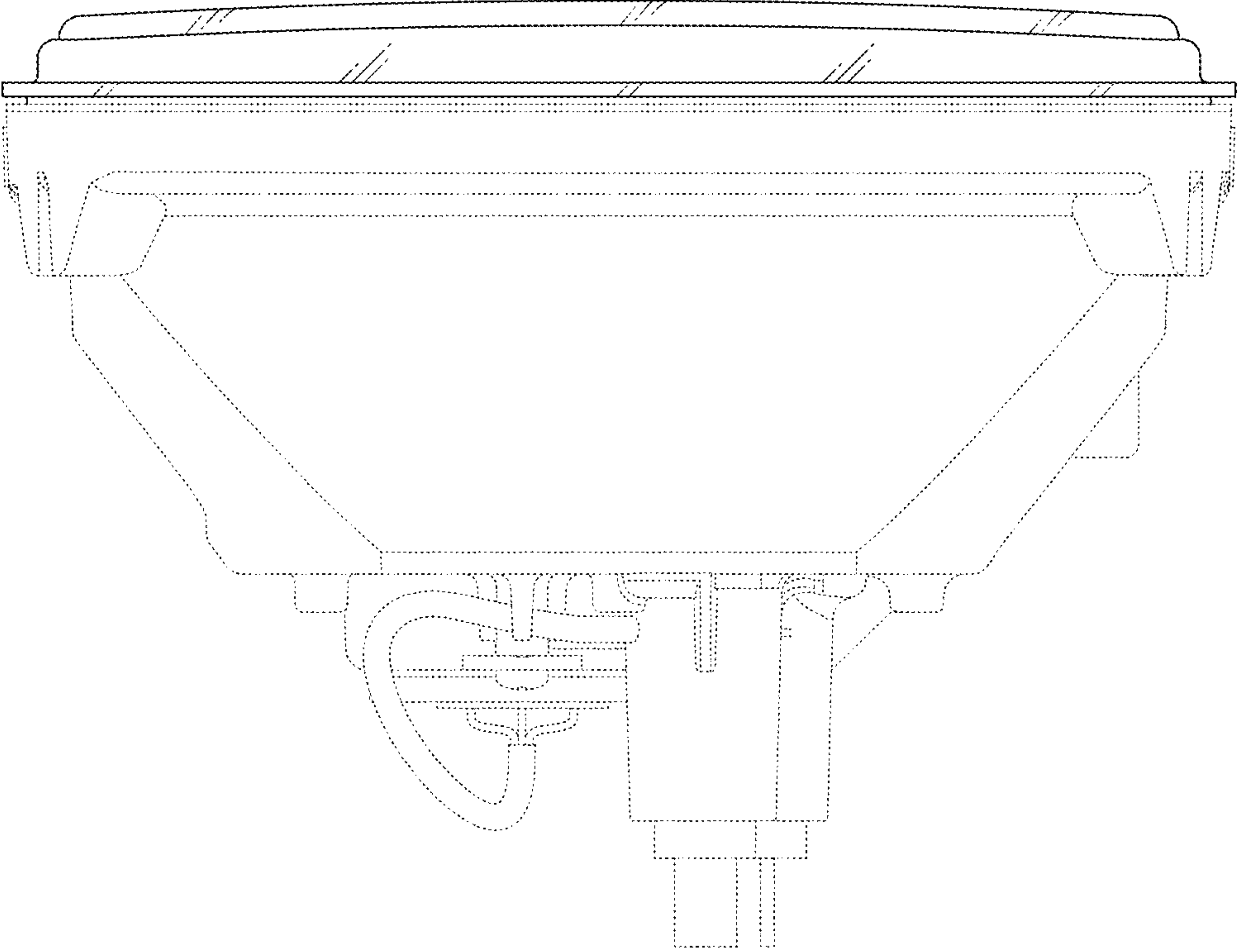


Fig. 6

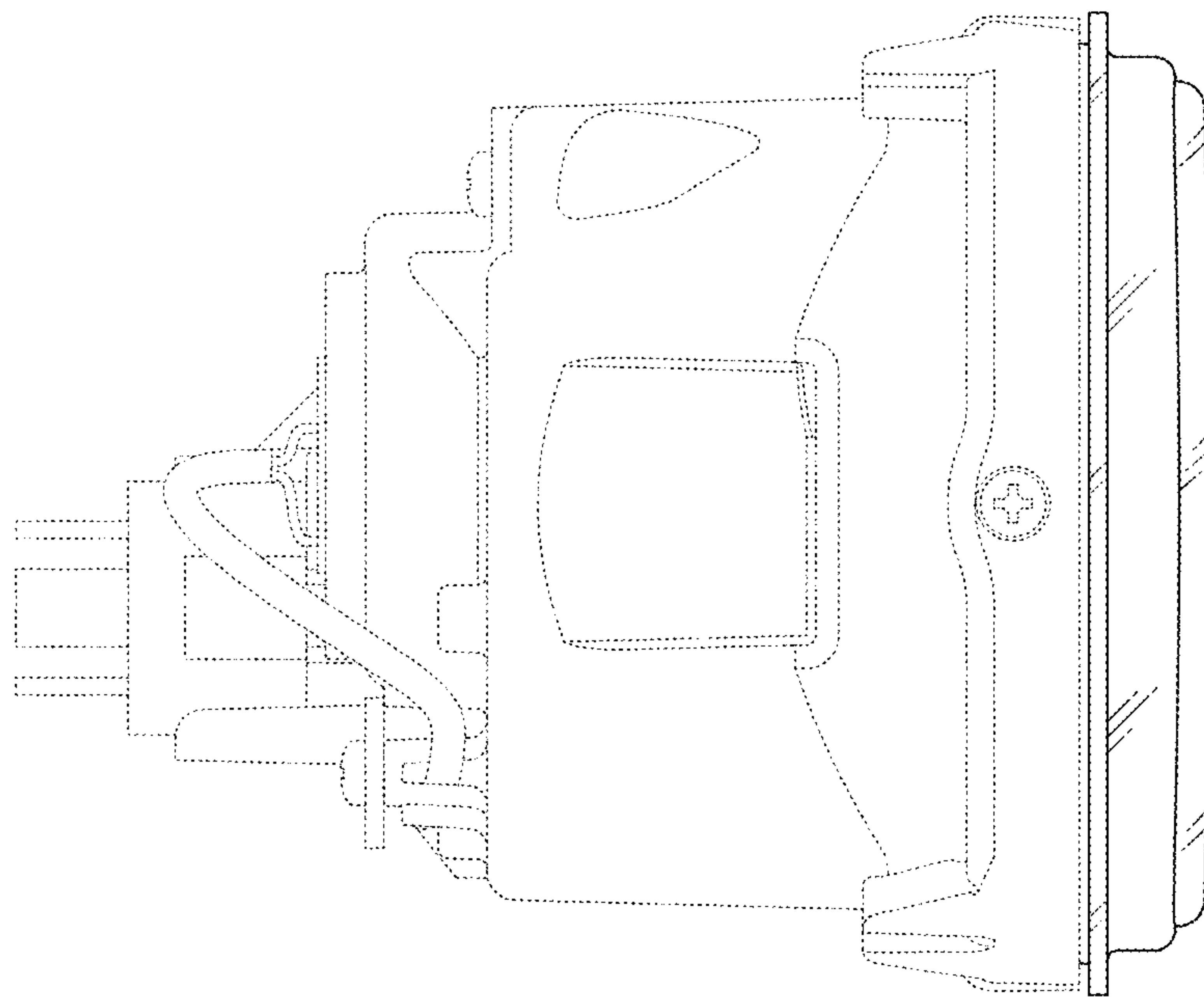


Fig. 7

