



US00D765278S

(12) **United States Design Patent**  
**Wu et al.**

(10) **Patent No.:** **US D765,278 S**

(45) **Date of Patent:** **\*\* Aug. 30, 2016**

(54) **LED LAMP**

(71) Applicant: **UNITY OPTO TECHNOLOGY CO., LTD.**, New Taipei (TW)

(72) Inventors: **Chih-Hsien Wu**, New Taipei (TW);  
**Po-Wen Hsiao**, New Taipei (TW);  
**Han-Chi Chi**, New Taipei (TW);  
**Thung-Wei Lin**, New Taipei (TW)

(73) Assignee: **UNITY OPTO TECHNOLOGY CO., LTD.**, New Taipei (TW)

(\*\*) Term: **14 Years**

(21) Appl. No.: **29/520,183**

(22) Filed: **Mar. 12, 2015**

(30) **Foreign Application Priority Data**

Jan. 30, 2015 (TW) ..... 104300484

(51) **LOC (10) Cl.** ..... **26-03**

(52) **U.S. Cl.**  
USPC ..... **D26/24**

(58) **Field of Classification Search**  
USPC ..... D26/1, 3, 24, 75, 78  
CPC ..... F21S 8/00; F21S 8/031; F21V 2/00;  
F21Y 2103/00; F21Y 2103/003

See application file for complete search history.

(56) **References Cited**

U.S. PATENT DOCUMENTS

D428,105 S *	7/2000	Holcombe	.....	D26/78
D489,472 S *	5/2004	Newhouse	.....	D26/75
D646,421 S *	10/2011	Chung	.....	D26/75
D667,584 S *	9/2012	Beghelli	.....	D26/75
D715,466 S *	10/2014	Wang	.....	D26/24
D739,055 S *	9/2015	Plourde	.....	D26/3
D740,972 S *	10/2015	Bernard	.....	D26/3

\* cited by examiner

*Primary Examiner* — Brian N Vinson

(74) *Attorney, Agent, or Firm* — Leong C. Lei

(57) **CLAIM**

The ornamental design for a LED lamp, as shown and described.

**DESCRIPTION**

FIG. 1 is a perspective view of a LED lamp showing our new design;

FIG. 2 is a front elevational view thereof;

FIG. 3 is a rear elevational view thereof;

FIG. 4 is a left side view thereof;

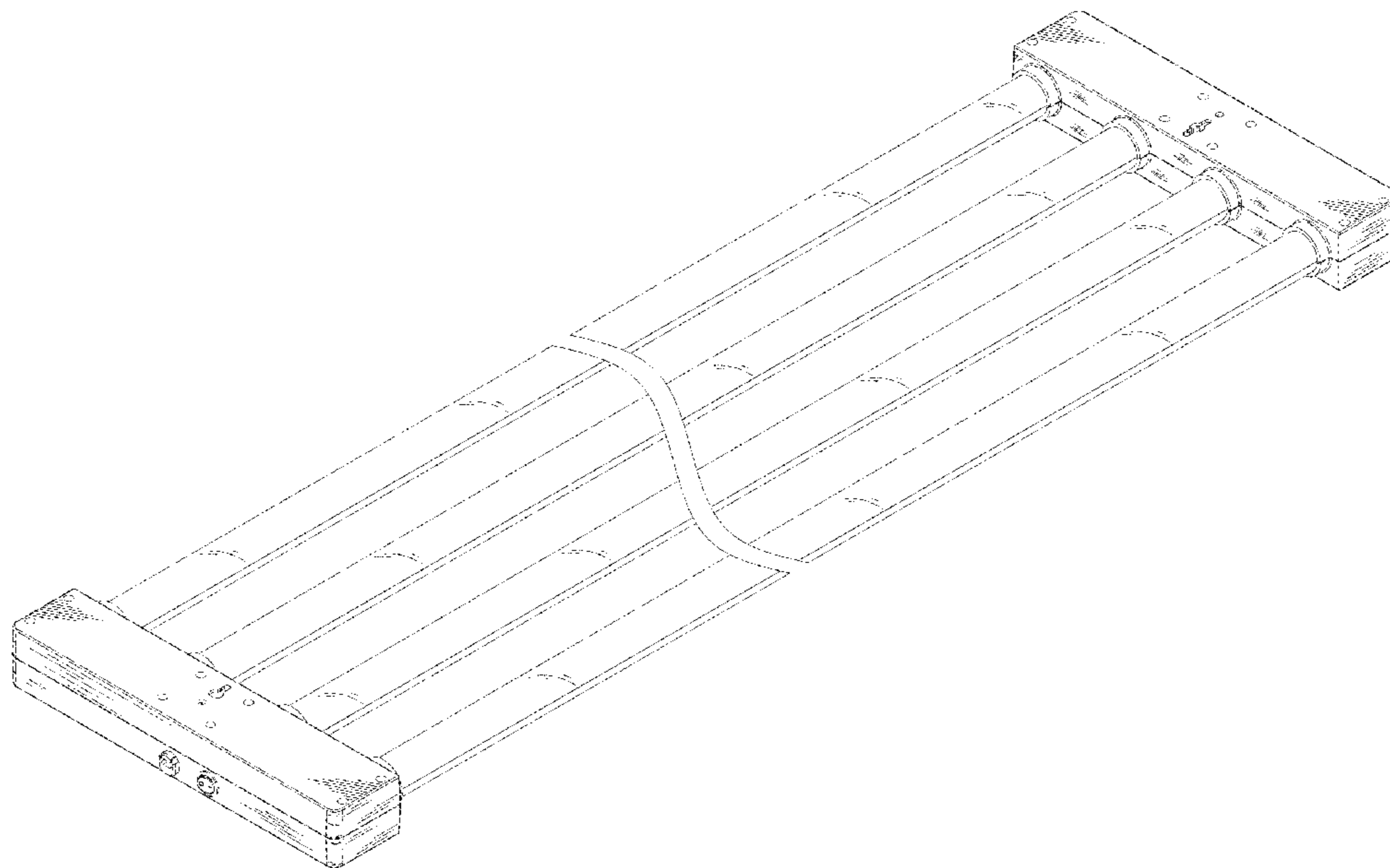
FIG. 5 is a right side view thereof;

FIG. 6 is a top plan view thereof; and,

FIG. 7 is a bottom plan view thereof.

The claimed design does not include the area between the lines indicating that the lamp is broken away.

**1 Claim, 5 Drawing Sheets**



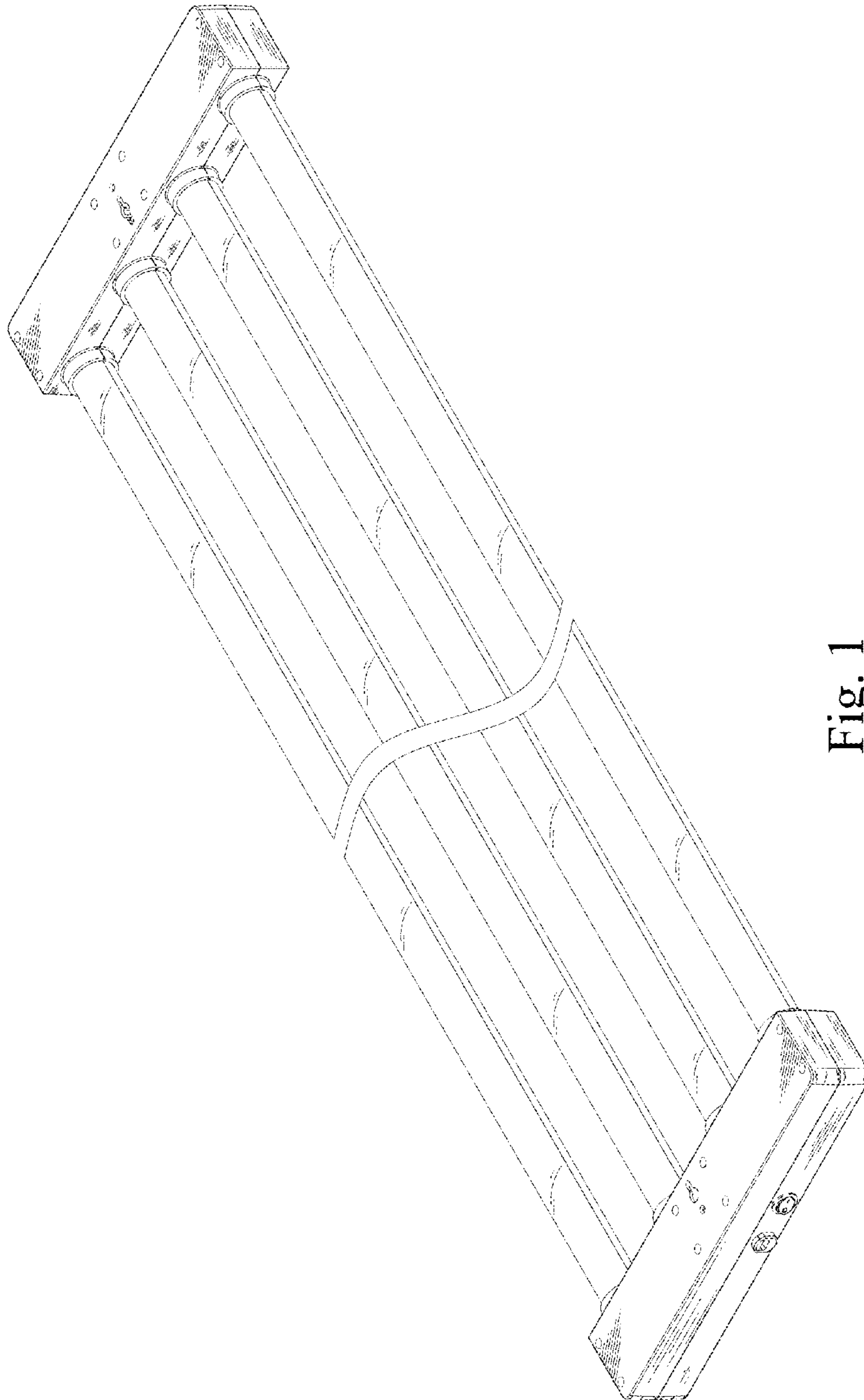


Fig. 1

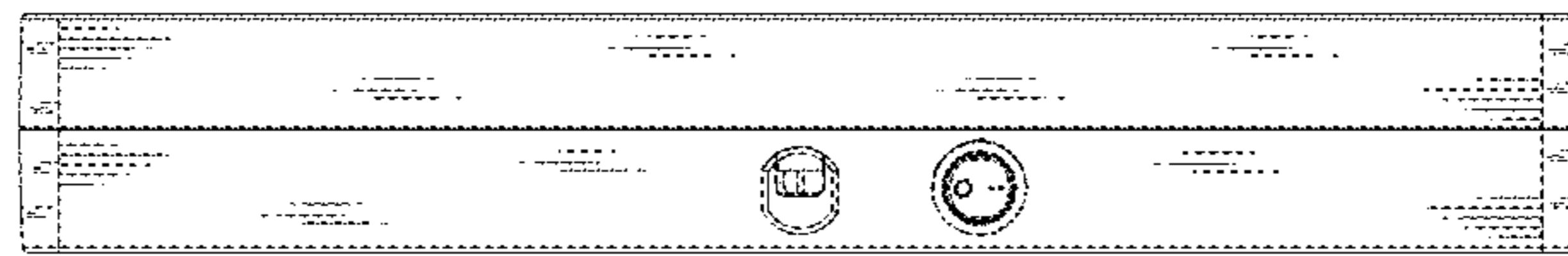


Fig. 2

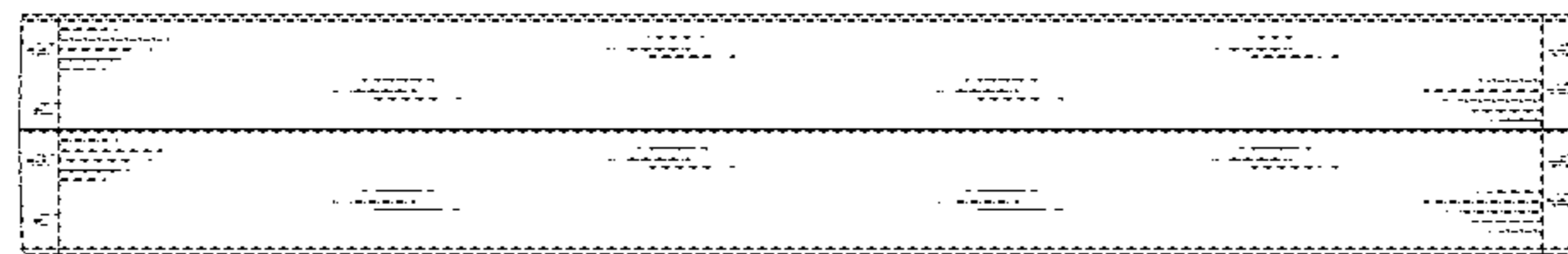


Fig. 3

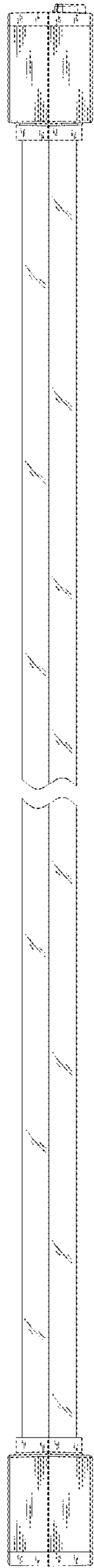


Fig. 4

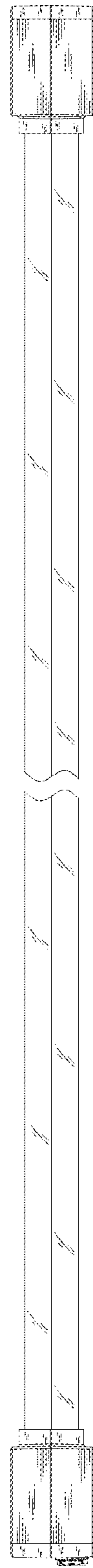


Fig. 5

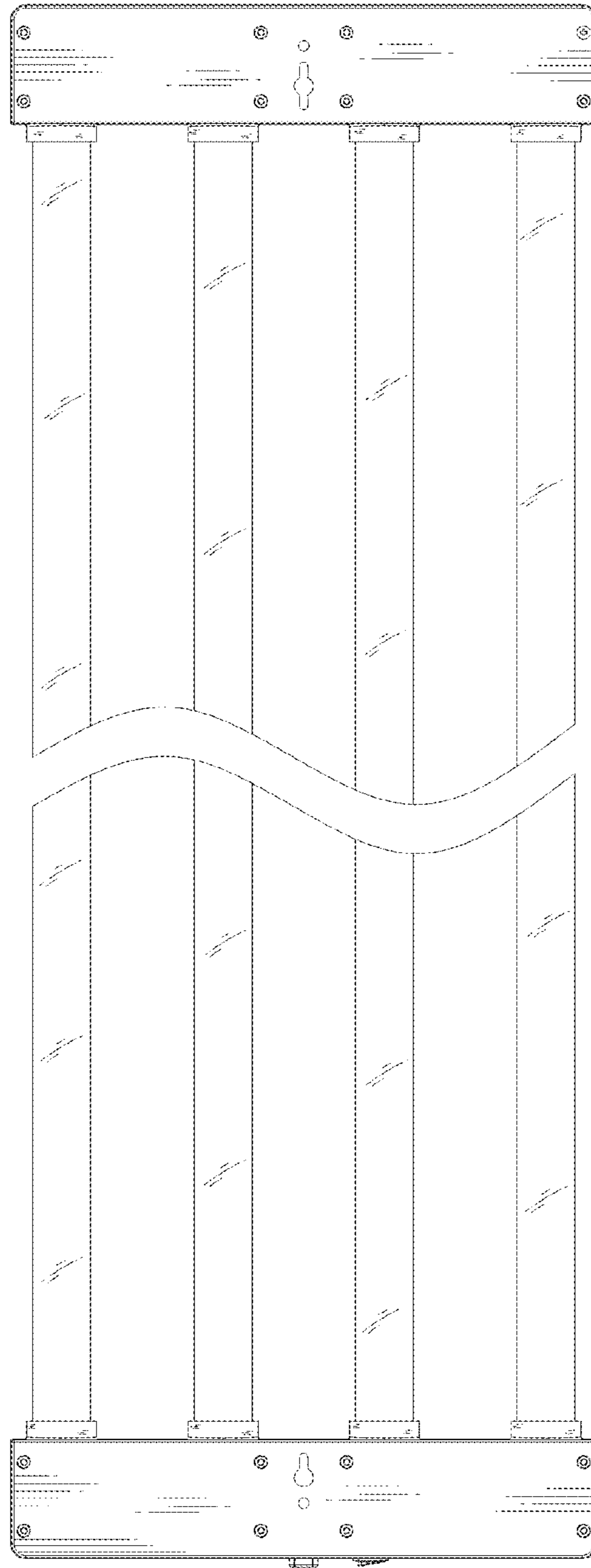


Fig. 6

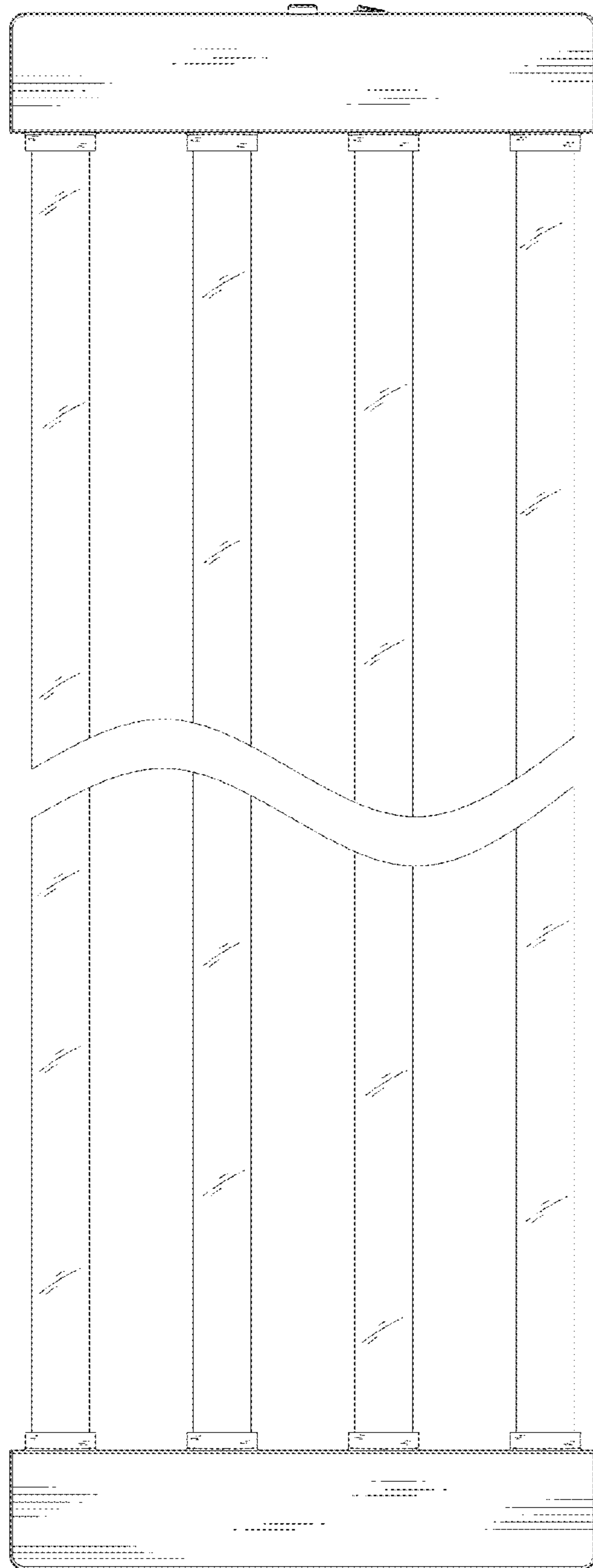


Fig. 7