



US00D765277S

(12) **United States Design Patent**
Potts

(10) **Patent No.:** **US D765,277 S**

(45) **Date of Patent:** **** Aug. 30, 2016**

(54) **CANDLE OR SPHERICAL OBJECT HOLDER**

(71) Applicant: **Melvin Charles Potts**, Huntington Beach, CA (US)

(72) Inventor: **Melvin Charles Potts**, Huntington Beach, CA (US)

(**) Term: **14 Years**

(21) Appl. No.: **29/519,349**

(22) Filed: **Mar. 4, 2015**

(51) **LOC (10) Cl.** **26-01**

(52) **U.S. Cl.**
USPC **D26/22**

(58) **Field of Classification Search**

USPC D26/6-23, 96; D11/155, 143, 146, 147, D11/153, 156, 164, 152; D7/553.6, 545, D7/542, 553.7, 587, 598, 6, 7, 8, 9, 10, 11, D7/13, 14, 15, 396.2, 526-528, 530-532, D7/540, 565, 584, 900, 509, 523, 507, 500, D7/510, 524, 511; D99/19; D34/1; D9/462, 516, 370, 399, 373, 502, 519, D9/549, 555, 776, 778; D32/53, 53.1, 54, D32/74

CPC F21V 35/00; F21V 35/003; F21V 35/006; F21V 37/00; F21V 37/0008; F21V 37/0058; F21V 37/0095; A61L 9/037; A61L 9/127; F21S 13/00; F21S 13/12; C11C 5/00; A01M 1/2088

See application file for complete search history.

(56) **References Cited**

U.S. PATENT DOCUMENTS

2,012,113 A * 8/1935 Thompson A47G 19/2205
215/363
4,416,370 A * 11/1983 Beall A47G 33/002
206/19

D355,742 S * 2/1995 Jackson D34/1
D440,733 S * 4/2001 Williams D99/19
D578,642 S * 10/2008 White D24/128
D757,356 S * 5/2016 Liu D27/162

* cited by examiner

Primary Examiner — T. Chase Nelson

Assistant Examiner — Ania Aman

(74) *Attorney, Agent, or Firm* — Dunlap Bennett & Ludwig PLLC

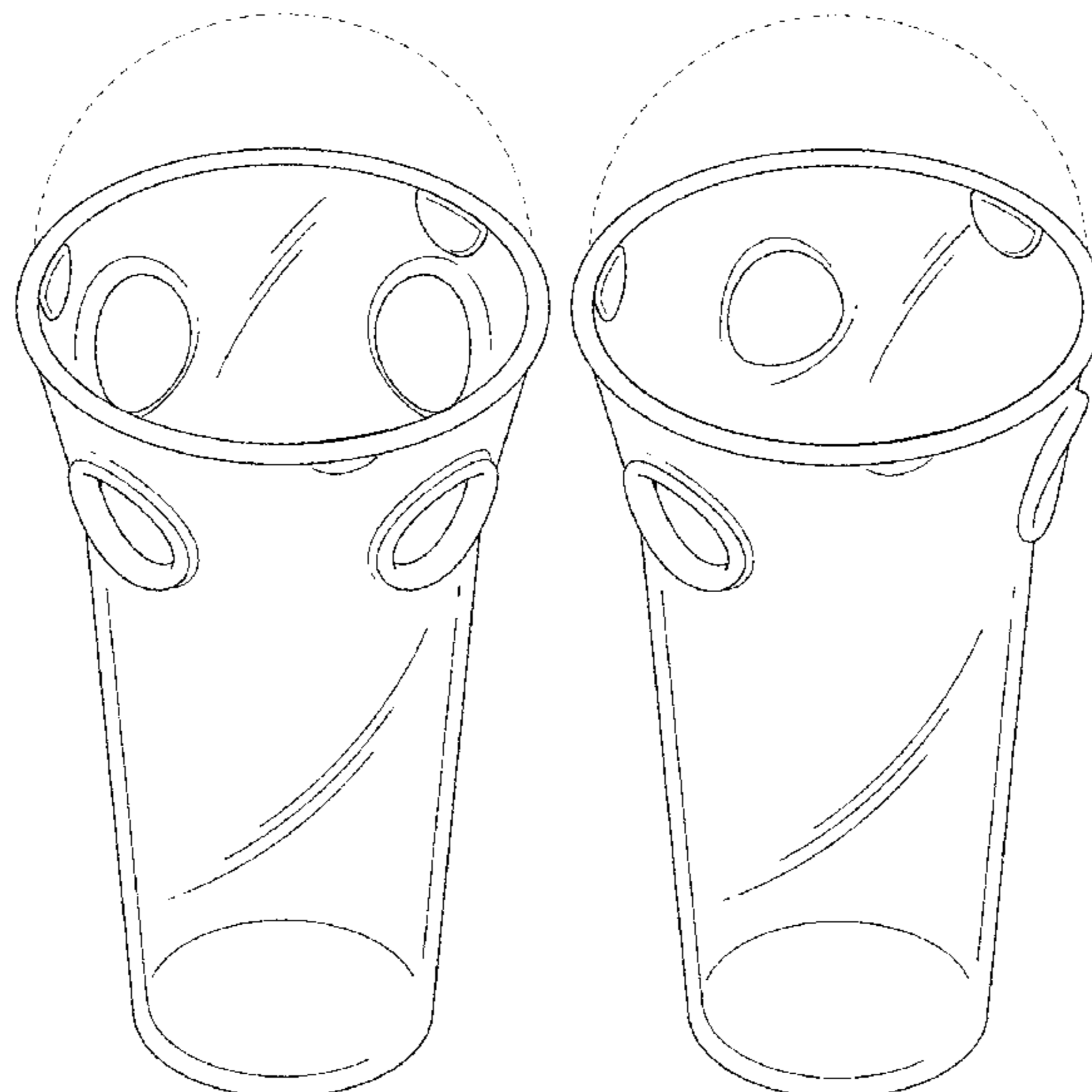
(57) **CLAIM**

The ornamental design for a candle or spherical object holder, as shown and described.

DESCRIPTION

FIG. 1 is an isometric view of a first embodiment of a candle or spherical object holder, shown in use;
FIG. 2 is a front elevation view of the first embodiment; the rear elevation view being a mirror image thereof;
FIG. 3 is a left elevation view of the first embodiment; the right elevation view being a mirror image thereof;
FIG. 4 is a top plan view of the first embodiment;
FIG. 5 is a bottom plan view of the first embodiment;
FIG. 6 is an isometric view of a second embodiment of the candle holder, shown in use;
FIG. 7 is a front elevation view of the second embodiment;
FIG. 8 is a rear elevation view of the second embodiment;
FIG. 9 is a left elevation view of the second embodiment; the right elevation view being a mirror image thereof;
FIG. 10 is a top plan view of the second embodiment; and, FIG. 11 is a bottom plan view of the second embodiment.
The broken lines shown in the drawings illustrate portions of the candle or spherical object holder that form no part of the claimed design.

1 Claim, 5 Drawing Sheets



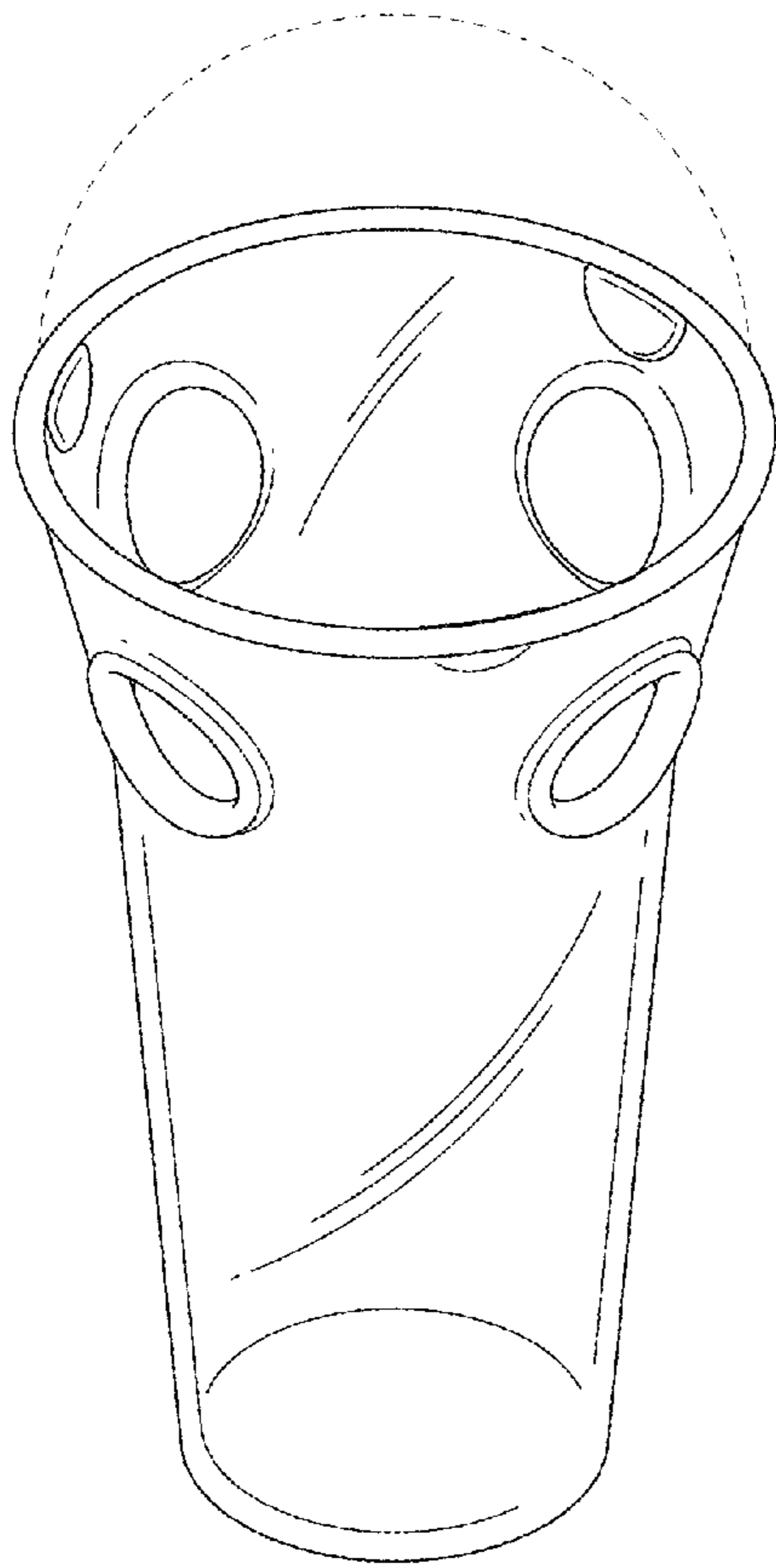


FIG. 1

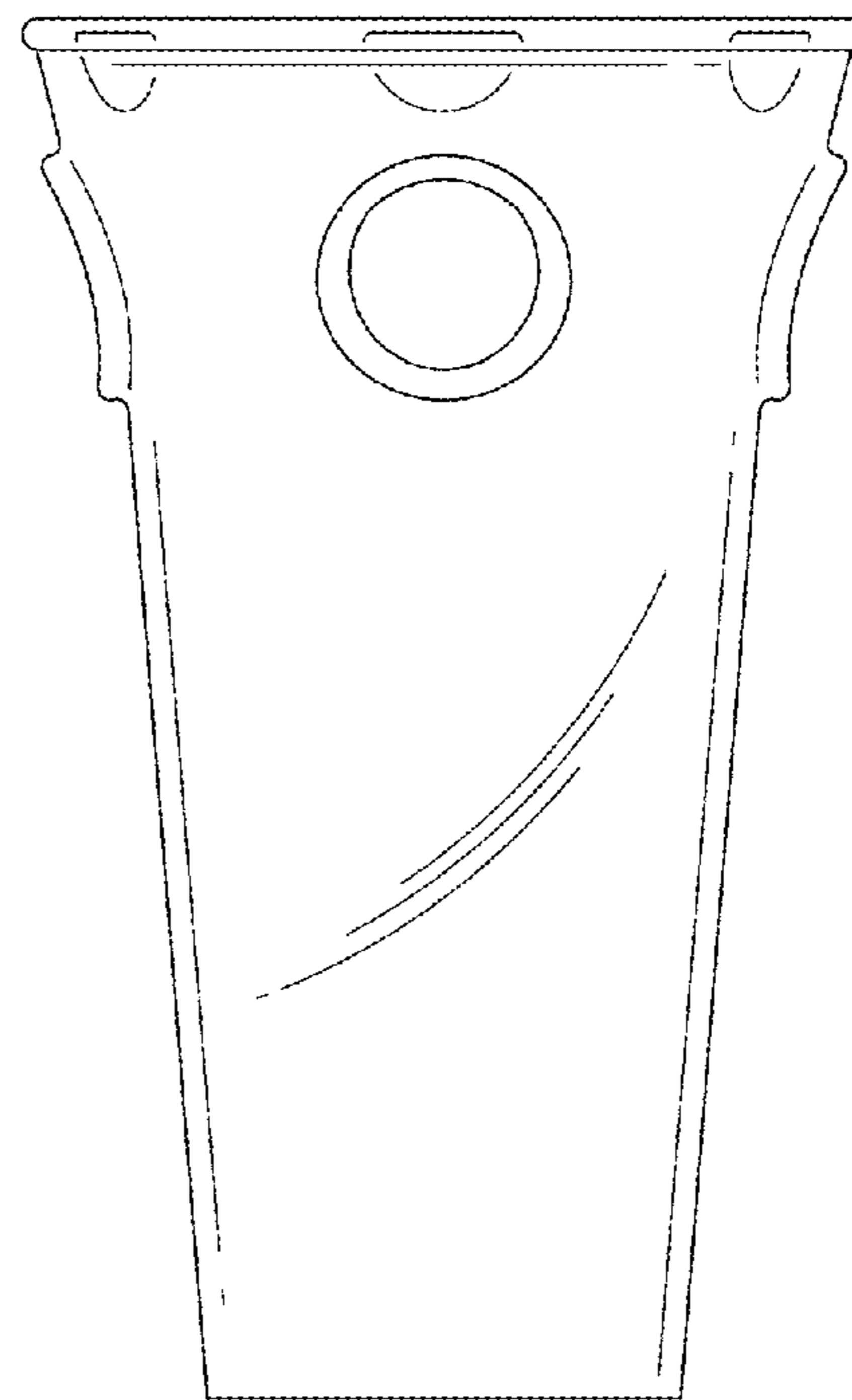


FIG. 2

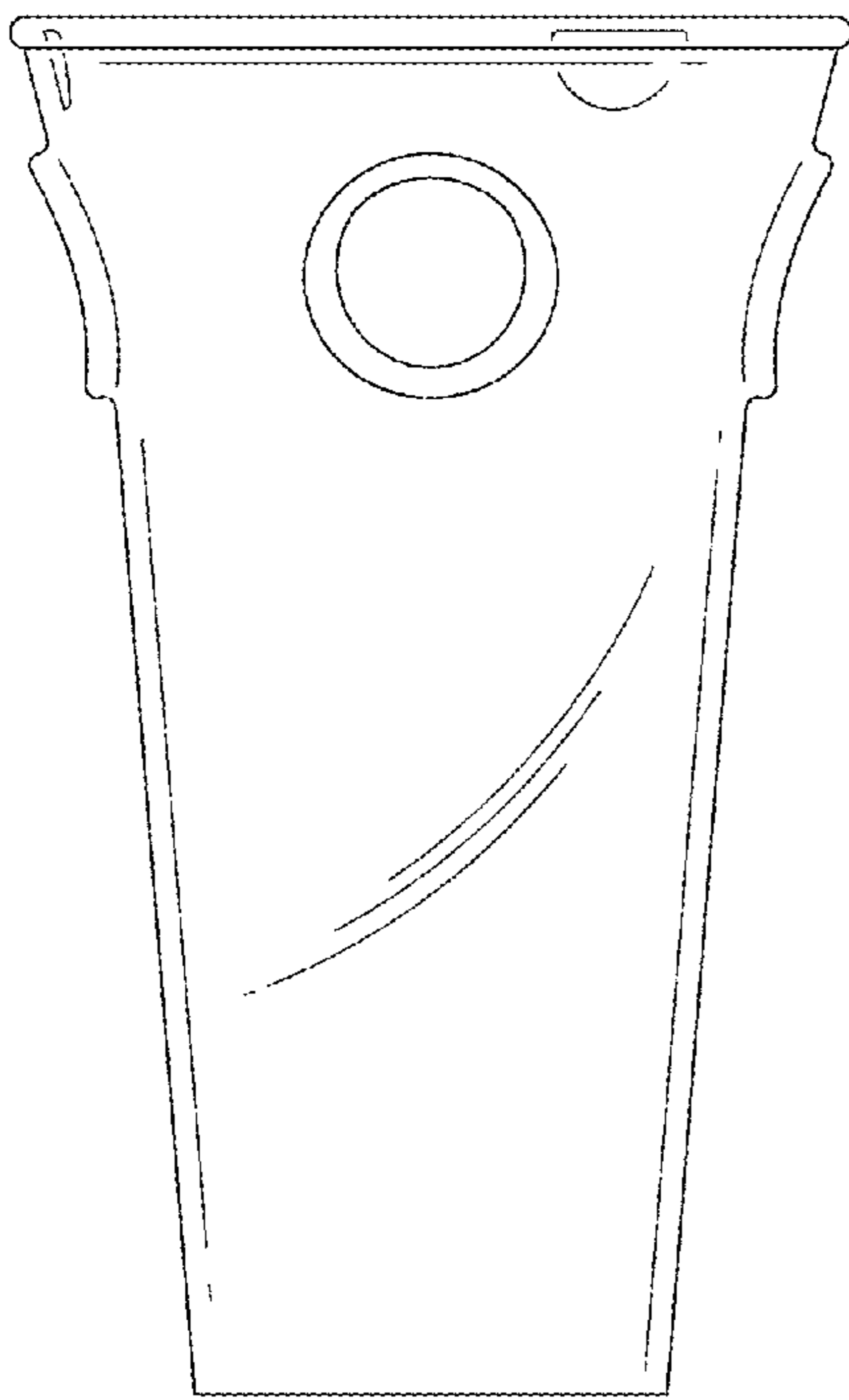


FIG. 3

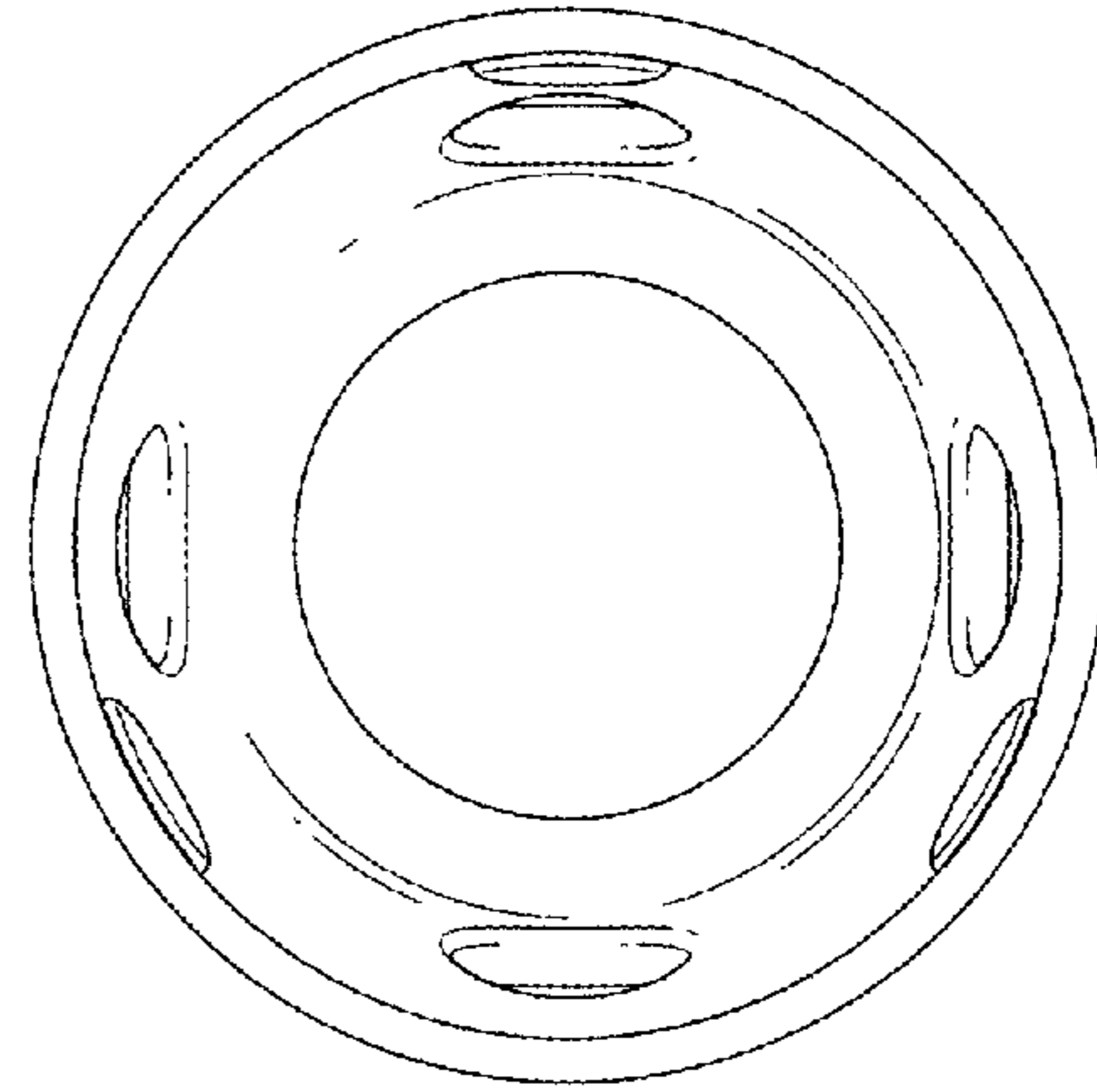


FIG. 4

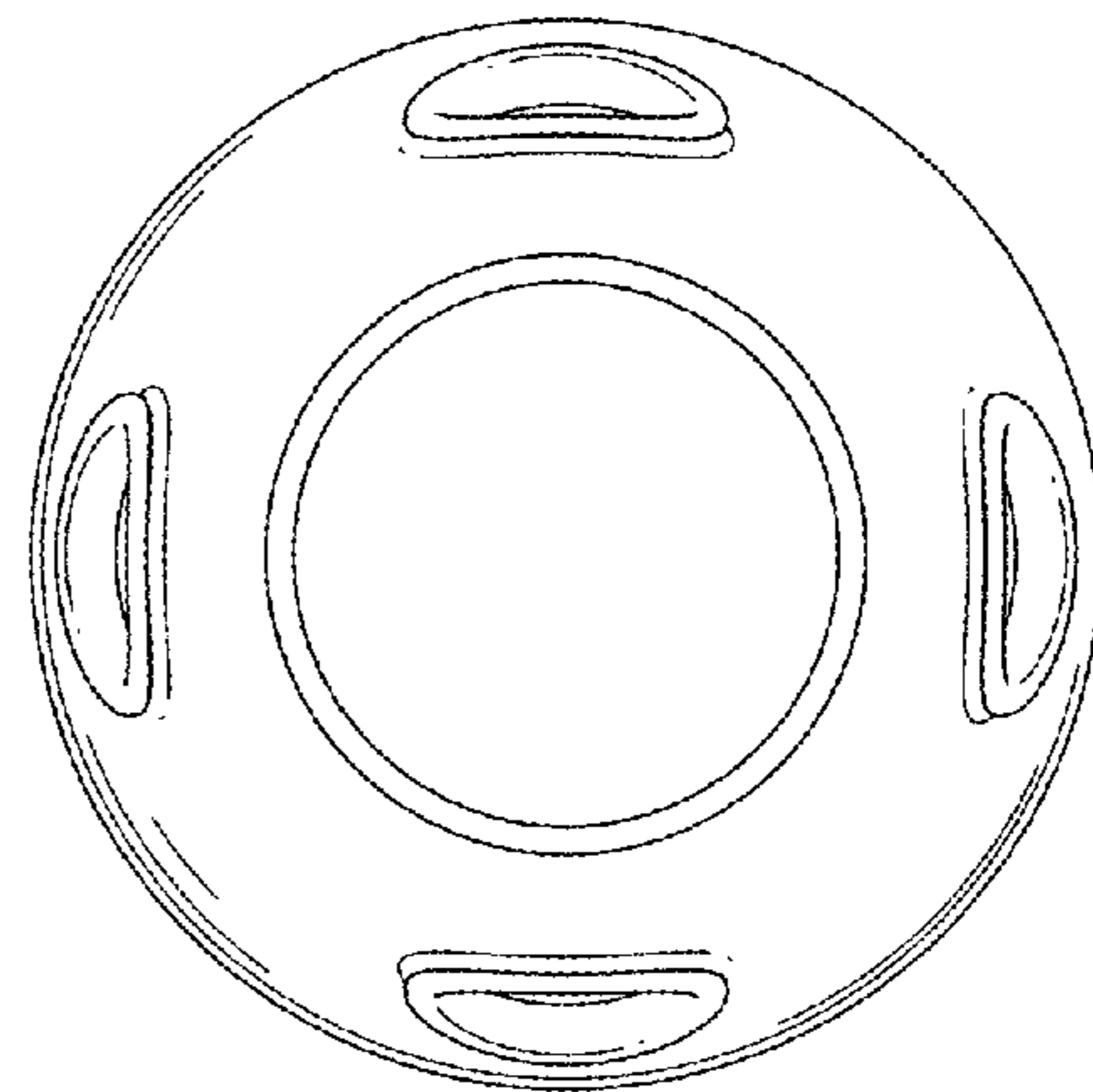


FIG. 5

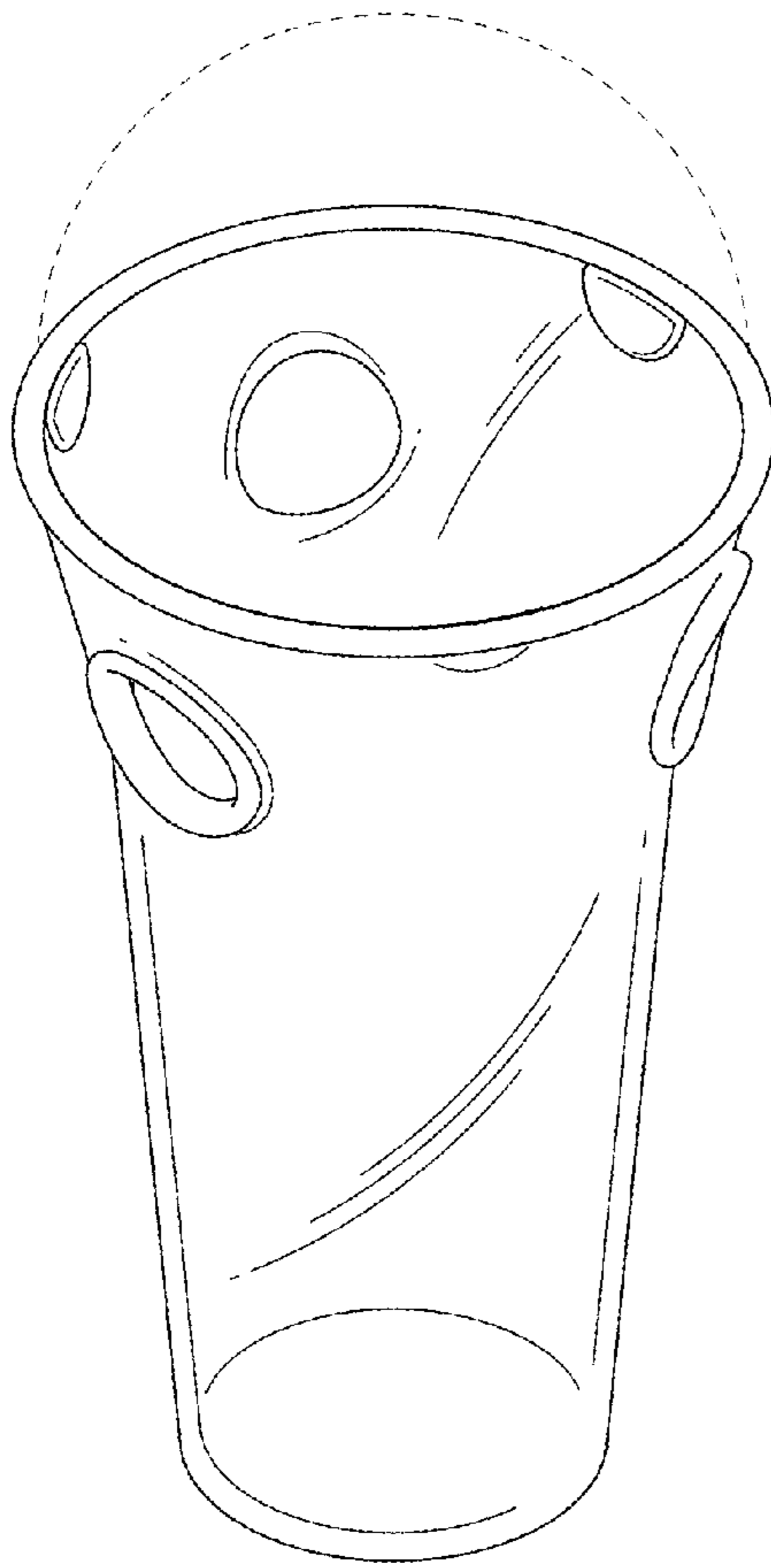


FIG. 6

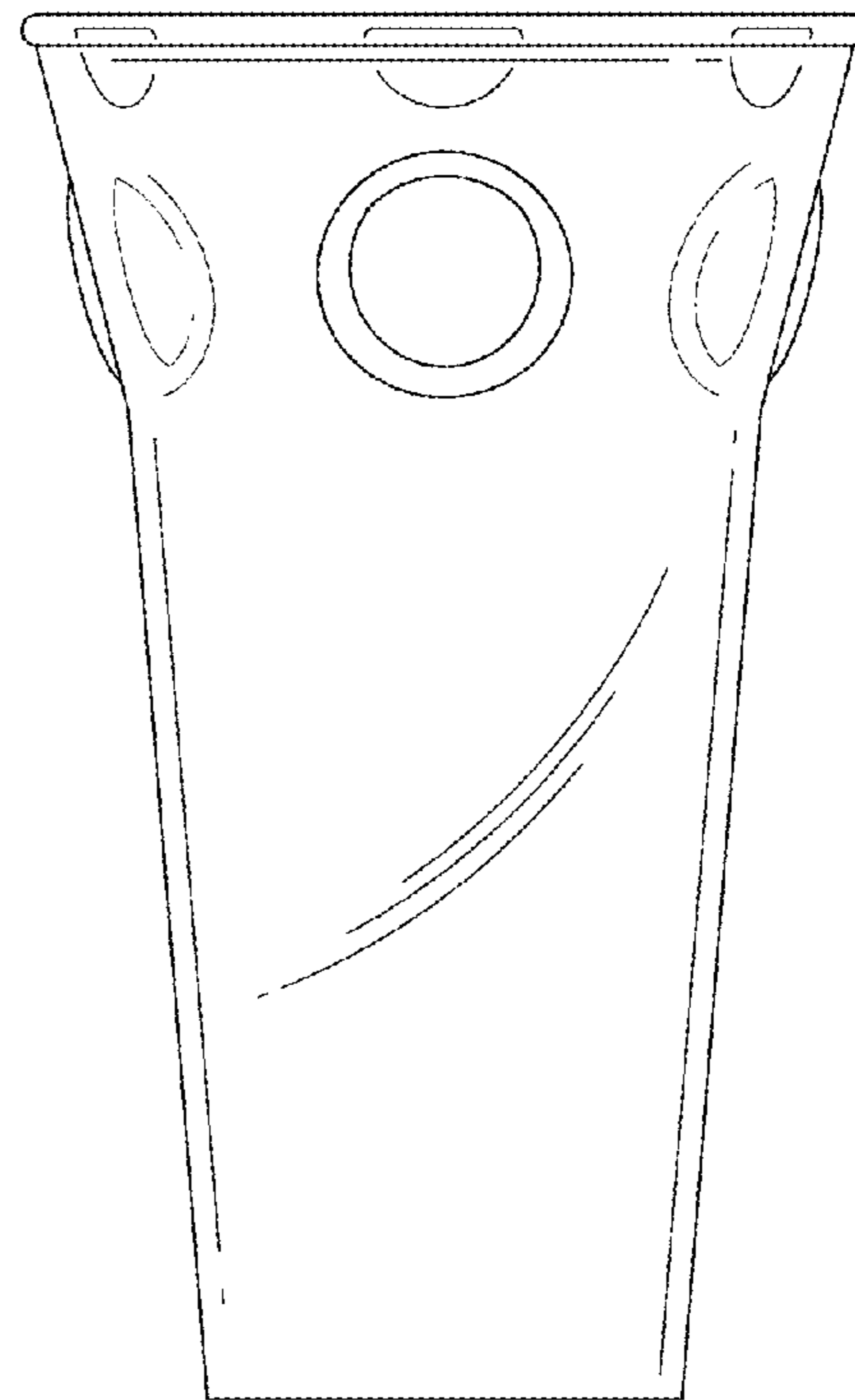


FIG. 7

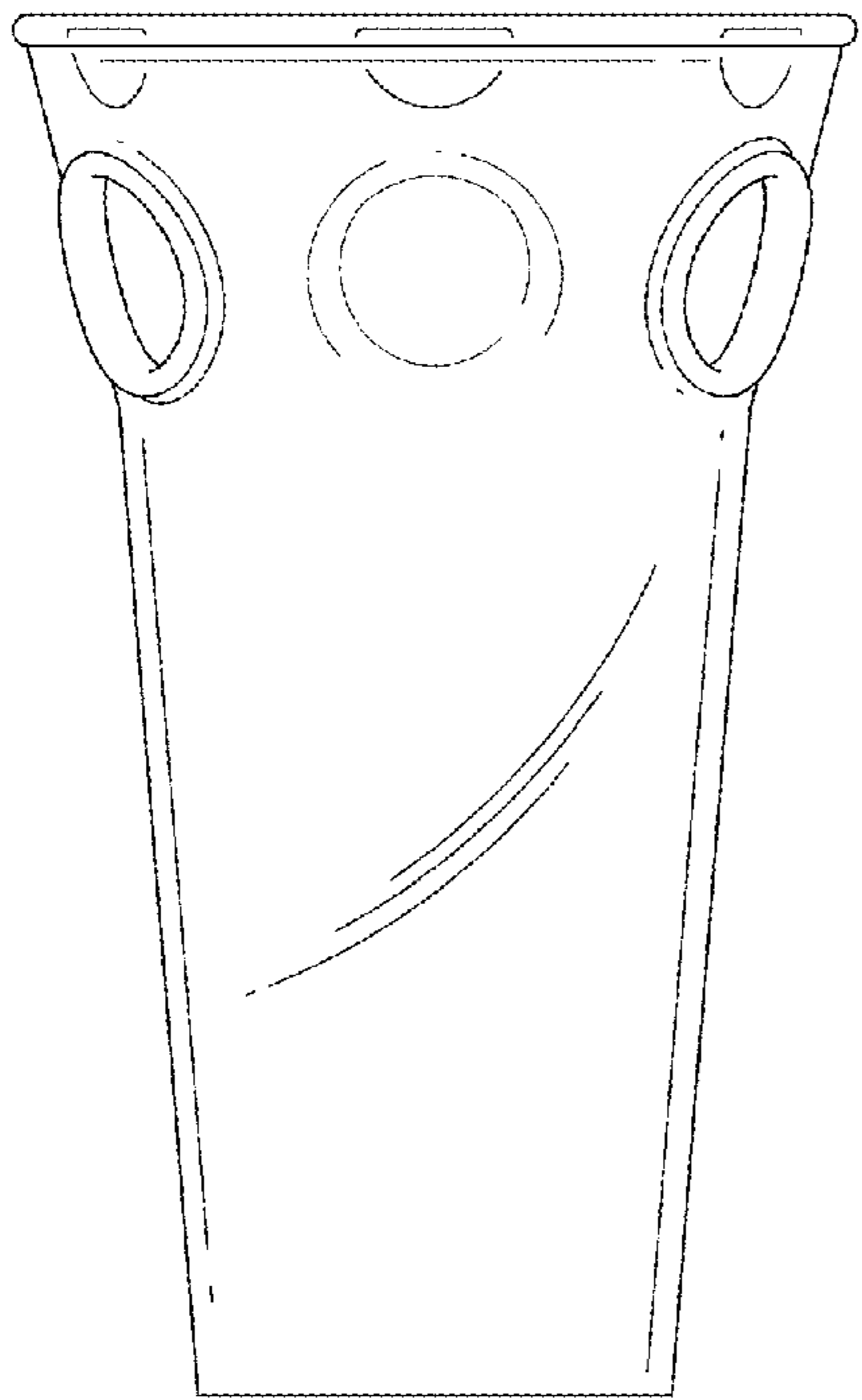


FIG. 8

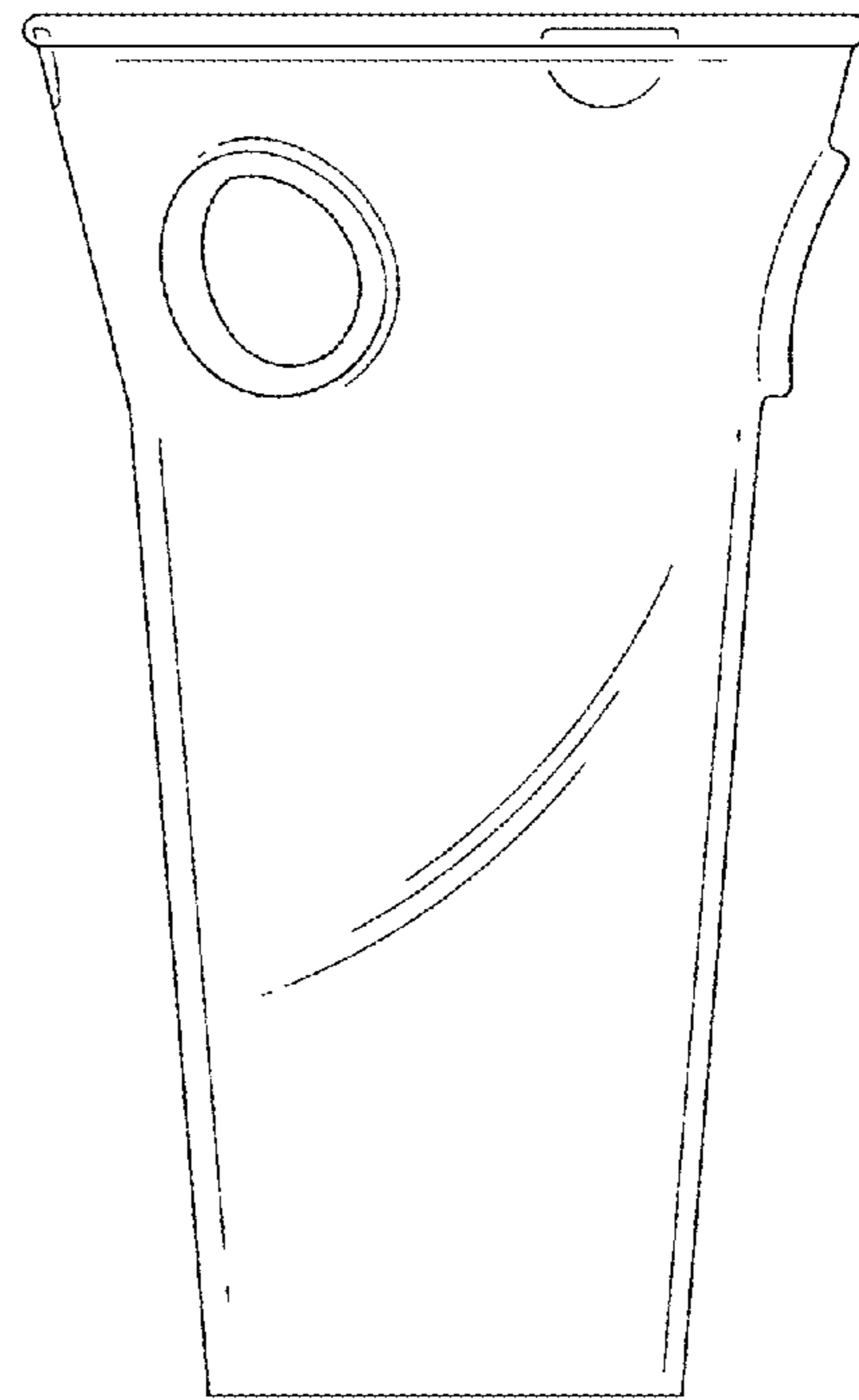


FIG. 9

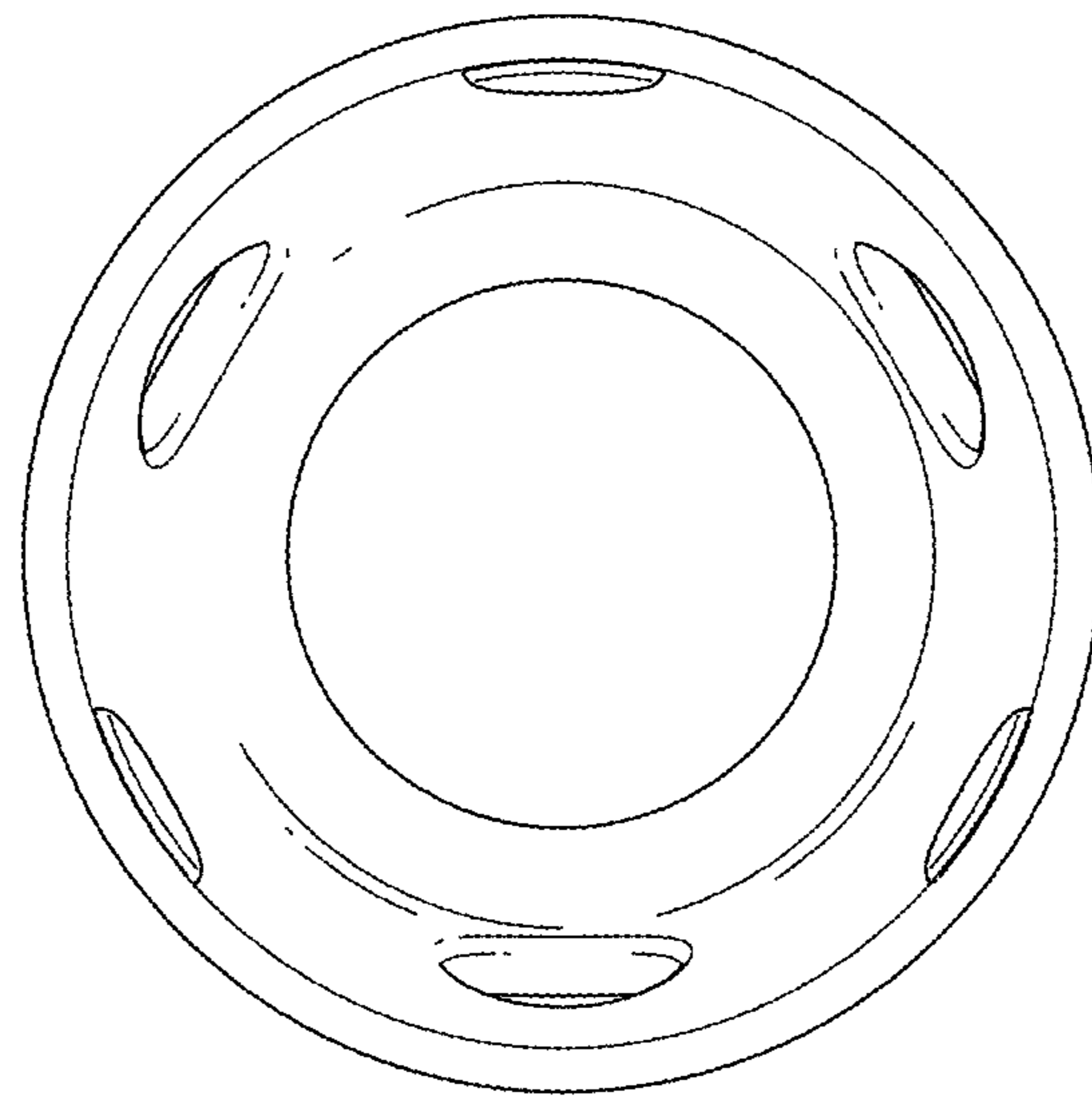


FIG. 10

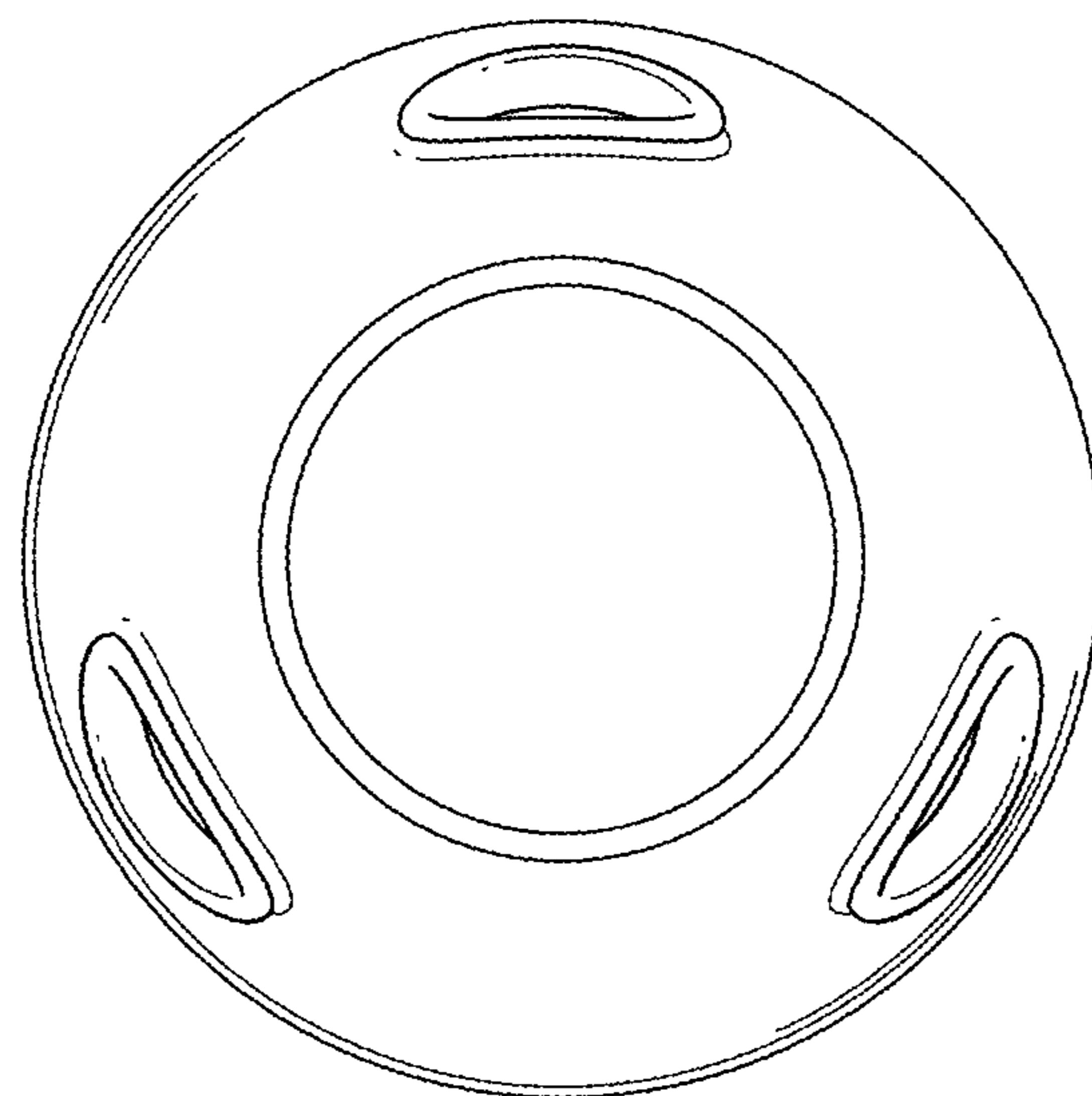


FIG. 11