



US00D765275S

(12) **United States Design Patent** (10) **Patent No.:** **US D765,275 S**
Ohno et al. (45) **Date of Patent:** **** Aug. 30, 2016**

(54) **LIGHT-EMITTING DIODE LAMP**
(71) Applicants: **Kabushiki Kaisha Toshiba**, Minato-ku, Tokyo (JP); **Toshiba Materials Co., Ltd.**, Yokohama-shi, Kanagawa-ken (JP)
(72) Inventors: **Hiroshi Ohno**, Yokohama (JP); **Mitsuaki Kato**, Kawasaki (JP); **Katsumi Hisano**, Matsudo (JP); **Yasuhiro Shirakawa**, Yokohama (JP); **Hiroyasu Kondo**, Yokohama (JP); **Ryoji Tsuda**, Fujisawa (JP)
(73) Assignees: **Kabushiki Kaisha Toshiba**, Minato-ku, Tokyo (JP); **Toshiba Materials Co., Ltd.**, Yokohama-shi, Kanagawa-ken (JP)
(**) Term: **14 Years**
(21) Appl. No.: **29/521,646**
(22) Filed: **Mar. 25, 2015**

D655,024 S * 2/2012 deBetak D26/2
D665,931 S * 8/2012 Peng D26/2
D735,368 S * 7/2015 McGrath D26/2
2013/0113358 A1* 5/2013 Progl F21V 29/004
313/46
2014/0362599 A1* 12/2014 Ohno F21K 9/52
362/558
2015/0192258 A1* 7/2015 Ohno H01L 33/507
362/555

FOREIGN PATENT DOCUMENTS

DE D402012100450 11/2012
DE D402012005404 4/2013
EM D000014402-0001 4/2003
EM D001807025-0001 1/2011
EM D001258123-0001 2/2011
EM D002194951-0003 3/2013
EM D002215871-0001 4/2013
EM D002349555-0001 11/2013
JP D1425093 10/2011
JP D1432200 1/2012
JP D1511145 11/2014
JP D1511422 11/2014

* cited by examiner

Primary Examiner — Lakiya Rogers
Assistant Examiner — Harold Blackwell, II
(74) *Attorney, Agent, or Firm* — Banner & Witcoff, Ltd.

(57) **CLAIM**
The ornamental design for a light-emitting diode lamp, shown and described.

DESCRIPTION

FIG. 1 is a perspective view of a light-emitting diode lamp showing our new design,
FIG. 2 is a front elevational view thereof,
FIG. 3 is a rear elevational view thereof,
FIG. 4 is a left side elevational view thereof,
FIG. 5 is a right side elevational view thereof,
FIG. 6 is a top plan view thereof; and,
FIG. 7 is a bottom plan view thereof.

1 Claim, 6 Drawing Sheets

(30) **Foreign Application Priority Data**
Sep. 25, 2014 (JP) 2014-021154
(51) **LOC (10) Cl.** **26-04**
(52) **U.S. Cl.**
USPC **D26/2**
(58) **Field of Classification Search**
USPC D26/1-4, 113, 118; 313/313, 315, 316,
313/317, 318, 493; 315/32, 46, 52, 53, 56,
315/57, 58; D13/179
CPC F21K 9/135; F21K 9/1375; F21K 9/13
See application file for complete search history.

(56) **References Cited**
U.S. PATENT DOCUMENTS
D549,360 S * 8/2007 An D26/2
D610,272 S * 2/2010 Guo D26/2
D610,273 S * 2/2010 Guo D26/2

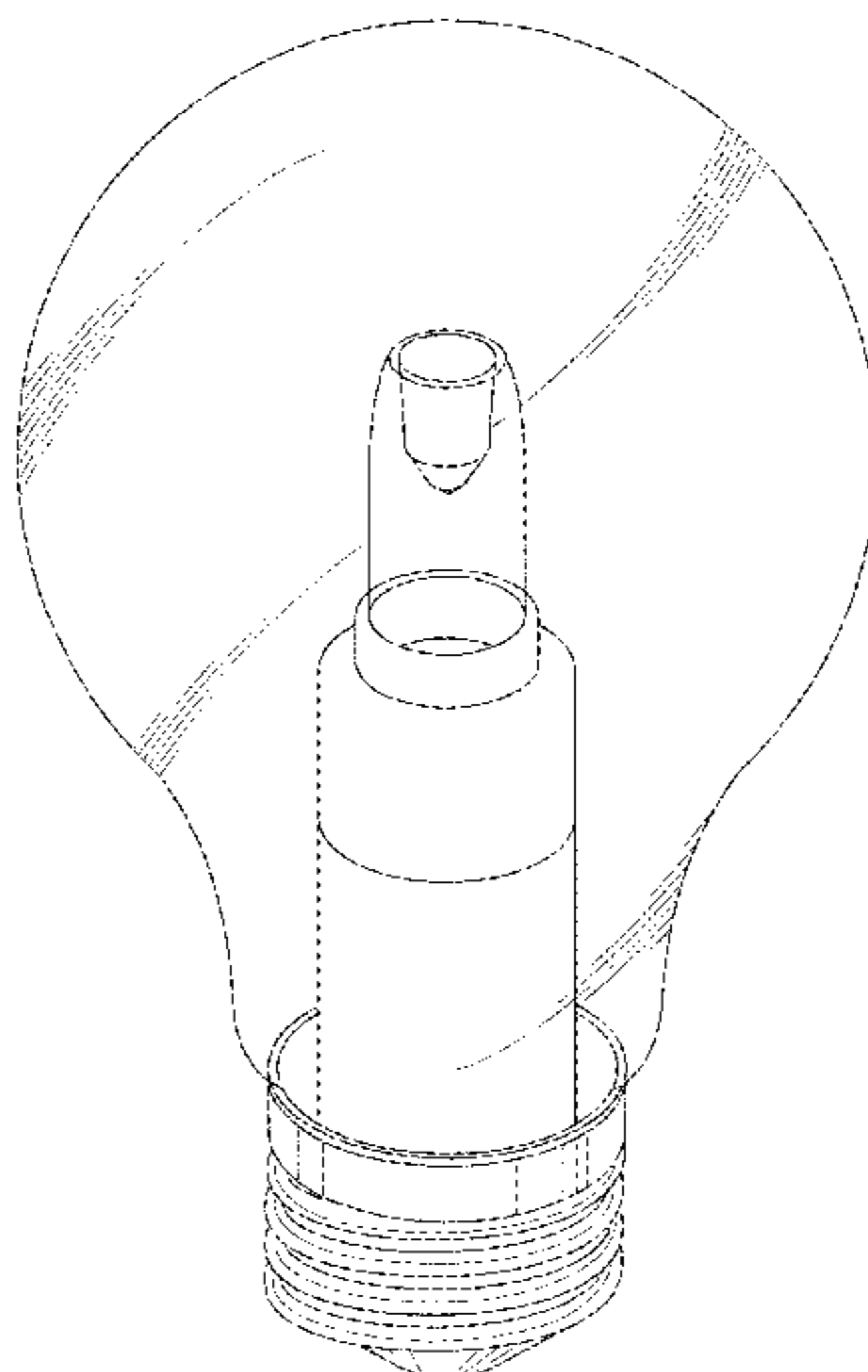


Fig. 1

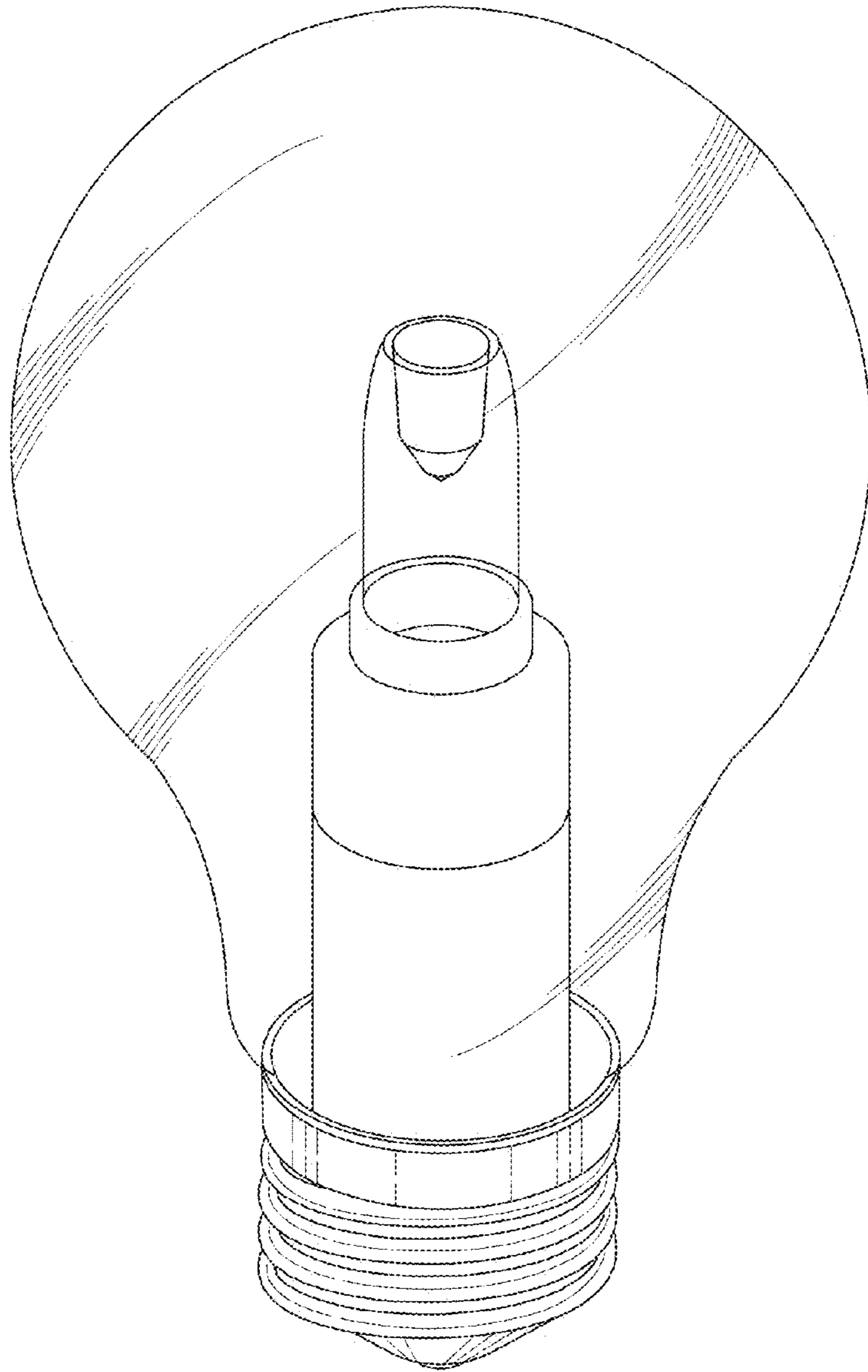


Fig. 2

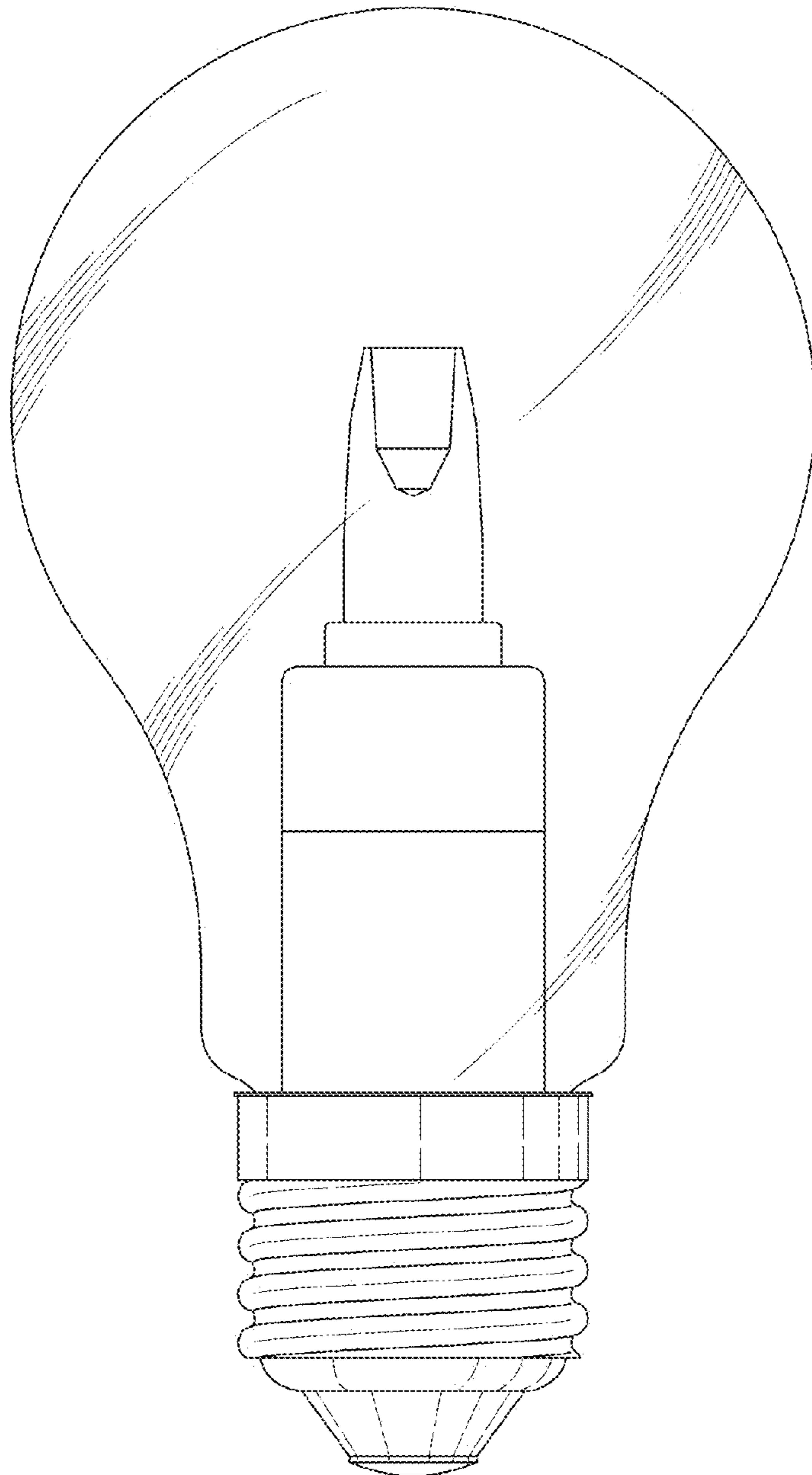


Fig. 3

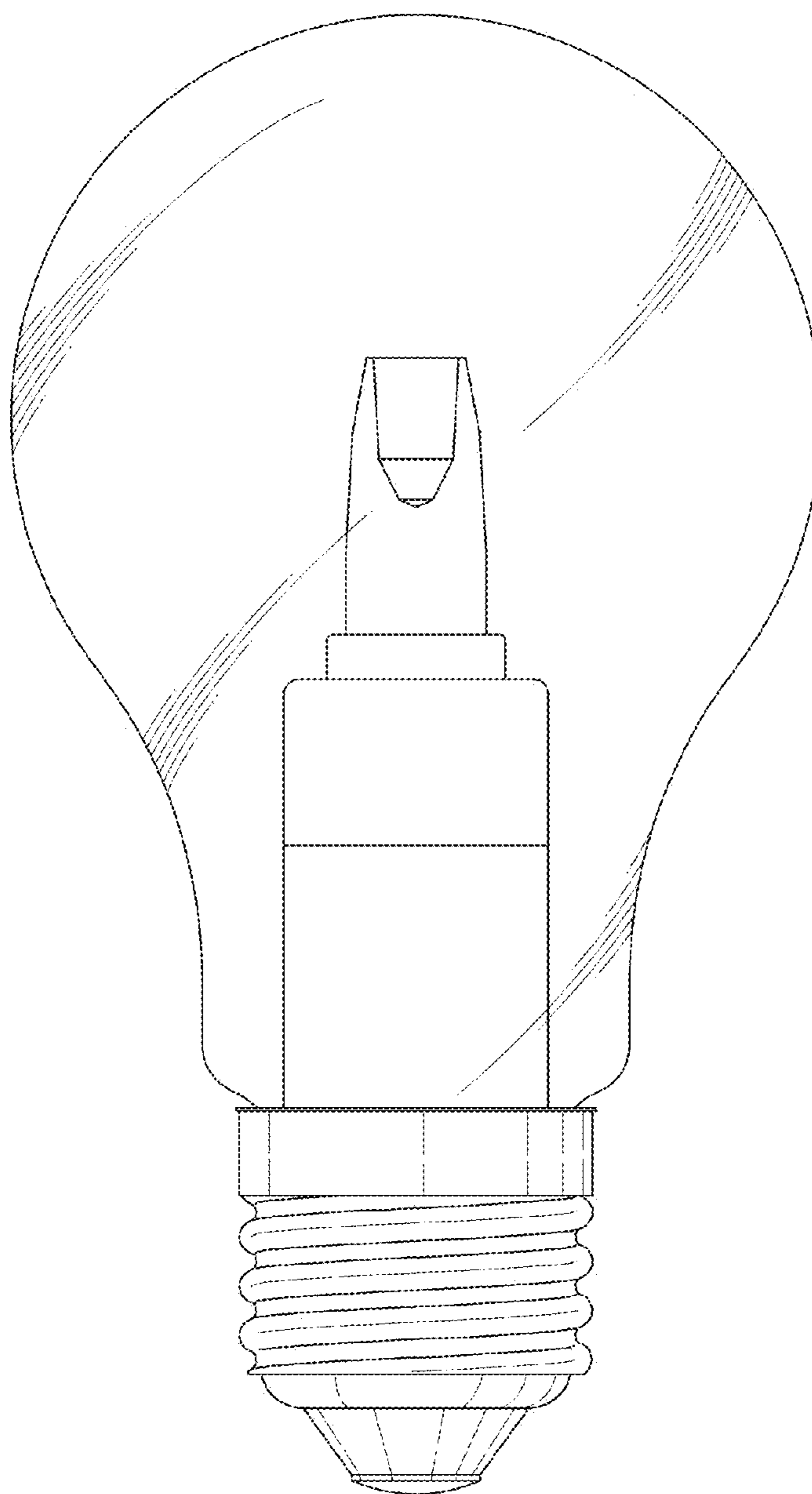


Fig. 4

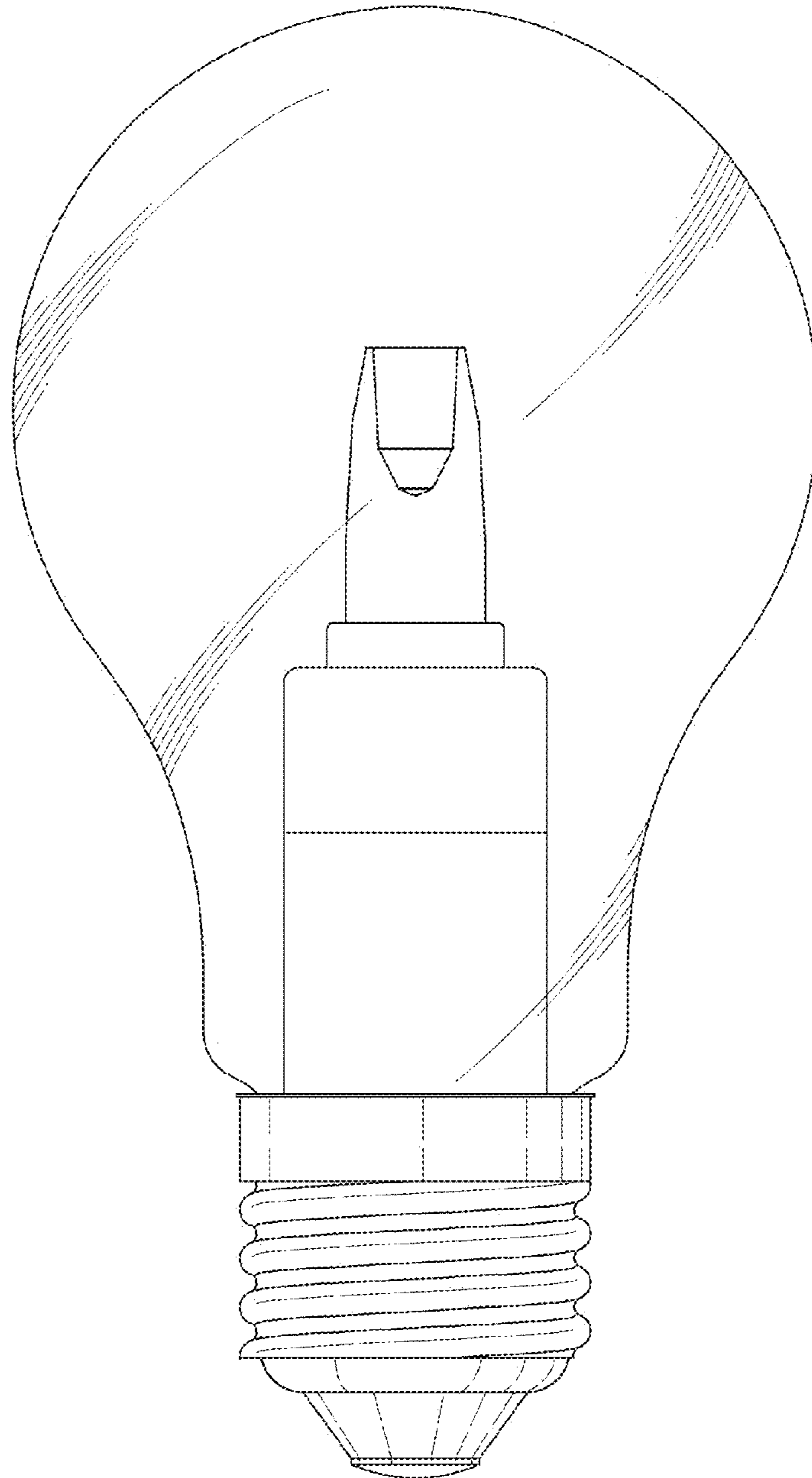


Fig. 5

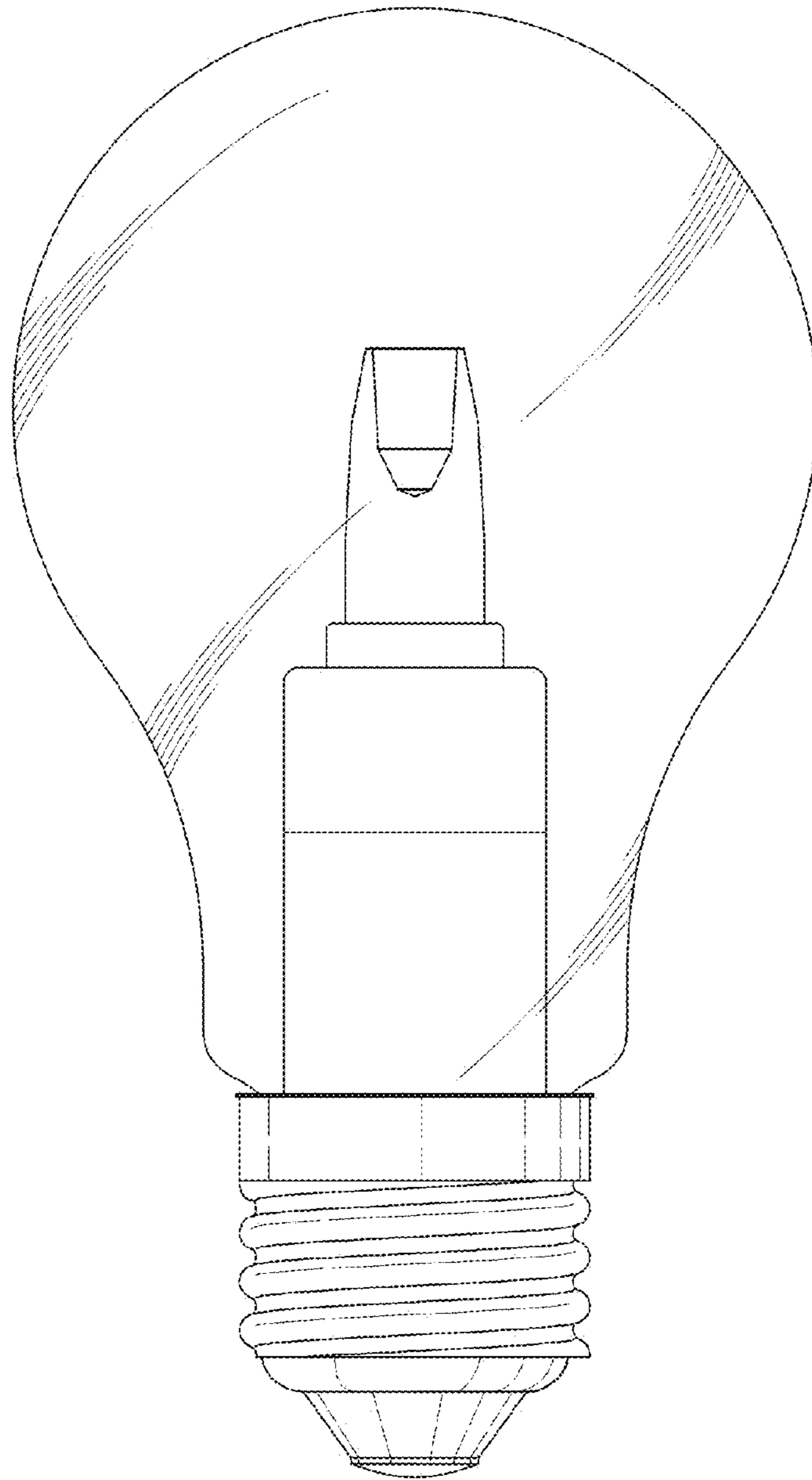


Fig. 6

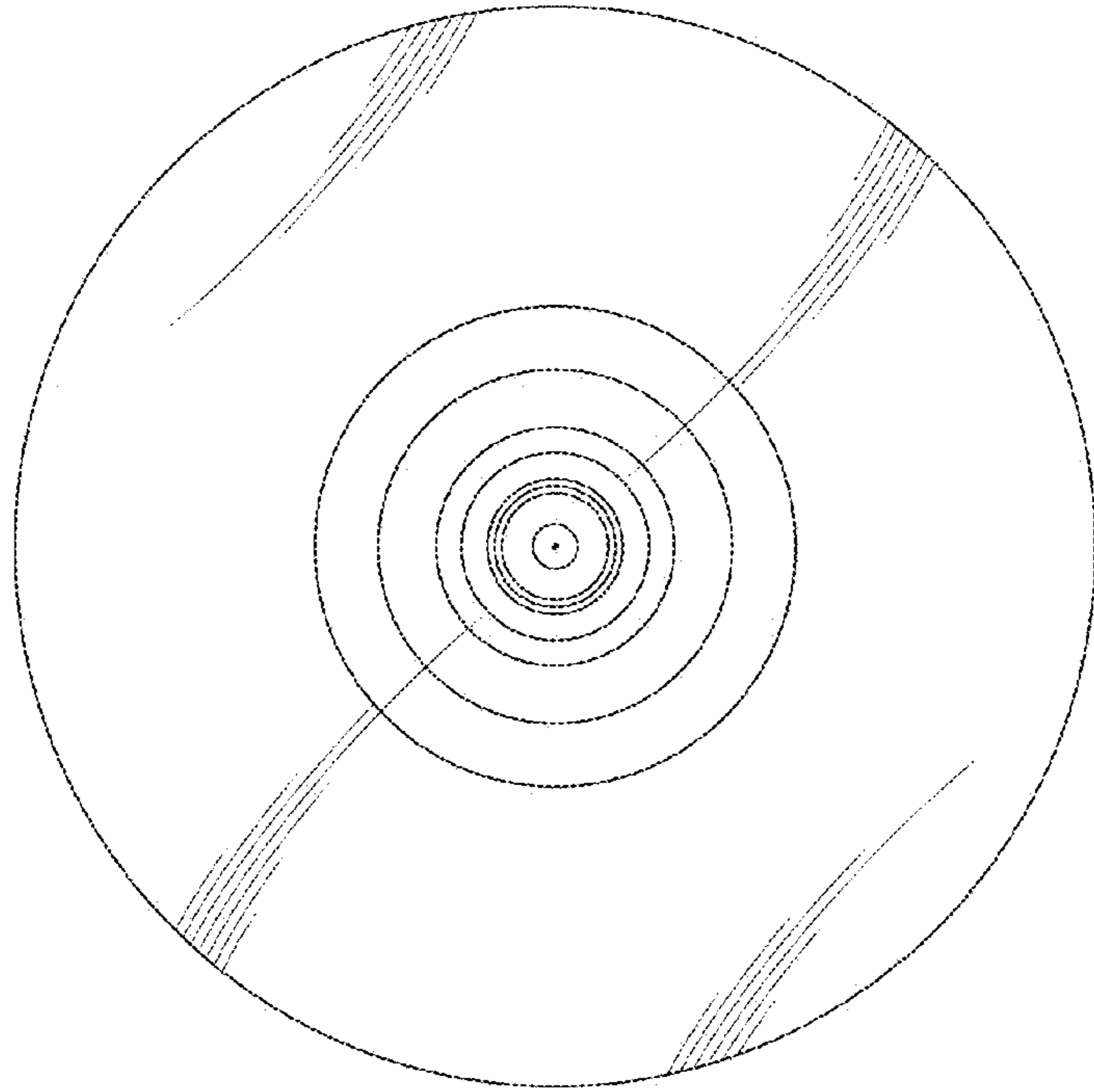


Fig. 7

