



US00D765269S

(12) **United States Design Patent** (10) **Patent No.:** **US D765,269 S**
Aoi et al. (45) **Date of Patent:** **** Aug. 30, 2016**

(54) **STEPLADDER**

FOREIGN PATENT DOCUMENTS

(71) Applicants: **Tokuo Aoi**, Kakamigahara (JP); **Tazuko Aoi**, Kakamigahara (JP)

EP 1079062 A2 2/2001
FR 881547 A 4/1943

(Continued)

(72) Inventors: **Tokuo Aoi**, Kakamigahara (JP); **Tazuko Aoi**, Kakamigahara (JP)

OTHER PUBLICATIONS

International Search Report and Written Opinion dated Mar. 11, 2014 of International Application No. PCT/JP2014/051998.

(**) Term: **14 Years**

Primary Examiner — Cynthia Ramirez

(21) Appl. No.: **29/525,303**

Assistant Examiner — Gino Colan

(22) Filed: **Apr. 28, 2015**

(74) *Attorney, Agent, or Firm* — Maschoff Brennan

(51) **LOC (10) Cl.** **25-04**

(57) **CLAIM**

(52) **U.S. Cl.**
USPC **D25/68**

The ornamental design for a stepladder, as shown and described.

(58) **Field of Classification Search**

DESCRIPTION

USPC D25/62-69; 52/741.2, 179, 182, 741.3;
182/107, 207, 106, 178.2, 180.1;
248/210, 211, 283.1; 24/593.1, 163 R,
24/188, 164, 190, 594.1, 632, 321, 322.1;
16/429, 113.1, 405, 422, 427, 436;
15/144.4, 145; 403/109.1, 378, 351,
403/353, 108, 316, 350, 375, 324, 166, 304,
403/349, 109.3, 318, 109.5, 109.6
CPC E04F 11/163; E04F 11/16; E04F 11/104;
E04F 11/17; E06C 7/50; E06C 1/32; E06C
1/36

FIG. 1 is a front perspective view of a stepladder showing our new design;
FIG. 2 is a front view thereof;
FIG. 3 is a rear view thereof;
FIG. 4 is a top plan view thereof;
FIG. 5 is a bottom plan view thereof;
FIG. 6 is a right side view thereof;
FIG. 7 is a left side view thereof;
FIG. 8 is an enlarged view of the portion indicated by lines 8-8 in FIG. 1;
FIG. 9 is an enlarged view of the portion indicated by lines 9-9 in FIG. 3;
FIG. 10 is an enlarged view of the portion indicated by lines 10-10 in FIG. 4;
FIG. 11 is an enlarged view of the portion indicated by lines 11-11 in FIG. 6;
FIG. 12 is an enlarged view of the portion indicated by lines 12-12 in FIG. 7;
FIG. 13 is an exploded perspective view thereof; and,
FIG. 14 is a rear view thereof in a collapsed position.
The features shown in broken lines in the drawings depict environmental subject matter only and form no part of the claimed design. The dot-dashed lines define the boundaries of the claimed design and form no part thereof.

See application file for complete search history.

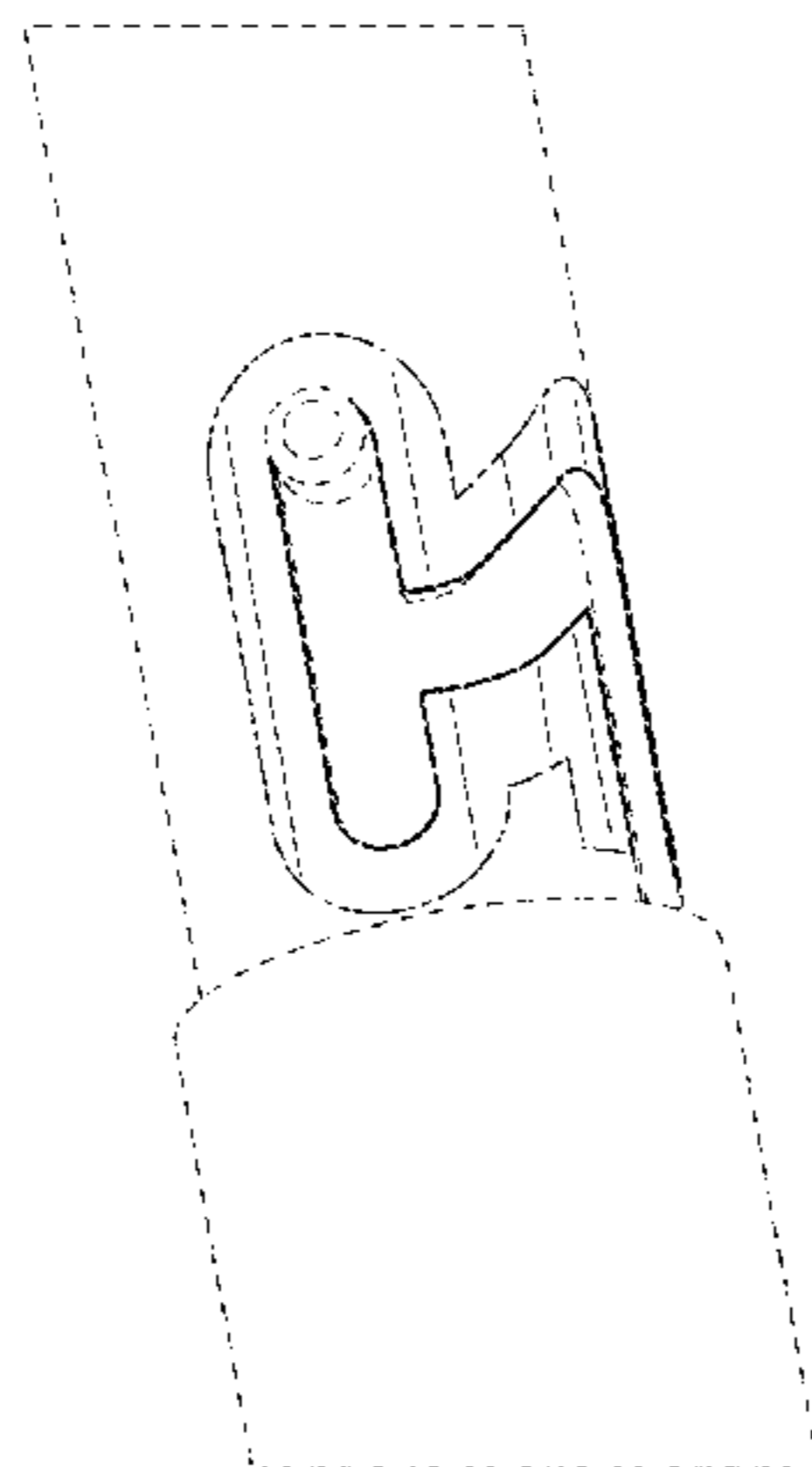
(56) **References Cited**

U.S. PATENT DOCUMENTS

128,073 A 6/1872 Roseborough, Jr.
767,257 A 8/1904 Banks
1,610,596 A 12/1926 Bird
1,641,906 A 9/1927 Smith
1,778,898 A 10/1930 Konigseberg
1,783,616 A 12/1930 Hachmuth
1,789,317 A 1/1931 McLeish
2,076,918 A * 4/1937 Robison F16L 37/248
285/148.13

(Continued)

1 Claim, 14 Drawing Sheets



(56)

References Cited

U.S. PATENT DOCUMENTS

2,316,679 A 4/1943 Evans
 2,391,466 A 12/1945 Levin
 2,478,592 A 8/1949 Nyberg
 2,612,335 A 9/1952 Saltzman
 2,650,014 A 8/1953 Harrison
 2,756,952 A 7/1956 Gazley
 2,794,612 A 6/1957 Clifton
 2,919,093 A 12/1959 Mooney
 3,026,962 A 3/1962 Kramer
 3,248,129 A 4/1966 Brown
 3,269,486 A 8/1966 Machen
 3,313,505 A 4/1967 Petrie
 3,472,339 A 10/1969 Herrera C.
 3,540,549 A 11/1970 Emmons
 3,902,817 A * 9/1975 Meir E04G 7/16
 182/178.5
 3,967,694 A 7/1976 Woolfolk, Sr.
 3,998,560 A * 12/1976 Damour F16D 1/108
 242/598.4
 4,146,010 A 3/1979 Manska
 4,326,687 A 4/1982 Clyburn
 4,417,638 A * 11/1983 Harvey B60V 3/025
 180/125
 4,518,162 A * 5/1985 Oates A63B 21/072
 403/349
 4,524,849 A 6/1985 Riddle
 4,726,349 A 2/1988 Gehrke
 4,732,138 A 3/1988 Vos
 4,899,849 A 2/1990 Levi et al.
 4,943,182 A * 7/1990 Hoblingre F16B 7/20
 403/325
 5,186,197 A 2/1993 Lavine
 5,485,978 A 1/1996 Hernandez
 5,520,360 A 5/1996 Wensman
 5,685,391 A 11/1997 Gundlach
 6,053,282 A 4/2000 Morisak
 6,126,359 A * 10/2000 Dittrich A16B 17/29
 403/325
 6,189,529 B1 2/2001 Shabazian et al.

D452,331 S 12/2001 Bohlman
 6,386,320 B1 5/2002 Clavel
 6,668,975 B2 12/2003 Skipper
 6,711,993 B2 3/2004 Robertson
 7,063,006 B1 6/2006 Spehle et al.
 7,207,533 B1 4/2007 Coleman et al.
 7,513,470 B2 4/2009 Lomberk
 7,581,703 B1 9/2009 Coleman et al.
 7,980,781 B2 * 7/2011 Trice B25G 1/04
 403/109.3
 7,984,789 B2 7/2011 Michalec
 8,007,196 B2 * 8/2011 Whitling F16B 7/042
 403/109.1
 8,262,311 B2 * 9/2012 Trice B25G 1/04
 403/109.3
 8,490,250 B2 * 7/2013 Lanz 16/427
 8,695,762 B1 4/2014 Carter et al.
 9,033,105 B1 5/2015 Boswell
 9,151,112 B2 10/2015 Niemela
 2007/0036640 A1 2/2007 Boudreaux
 2007/0256892 A1 11/2007 Breedlove
 2008/0223658 A1 9/2008 Michalec
 2009/0242065 A1 * 10/2009 Whitling F16B 7/042
 138/120
 2011/0088969 A1 4/2011 Payne et al.
 2011/0155886 A1 6/2011 Nakaniwa
 2012/0144626 A1 * 6/2012 Lanz B25G 1/04
 16/427
 2012/0168253 A1 7/2012 McMurray
 2013/0153297 A1 6/2013 Abney et al.
 2015/0107146 A1 4/2015 Chaney
 2015/0345219 A1 12/2015 Aoi et al.

FOREIGN PATENT DOCUMENTS

JP 62-52700 U 4/1987
 JP 7-32198 U 6/1995
 JP 3031542 U 9/1996
 JP 09-112165 A 4/1997
 JP 3111306 U 6/2005
 JP 2005-282319 A 10/2005

* cited by examiner

FIG. 1

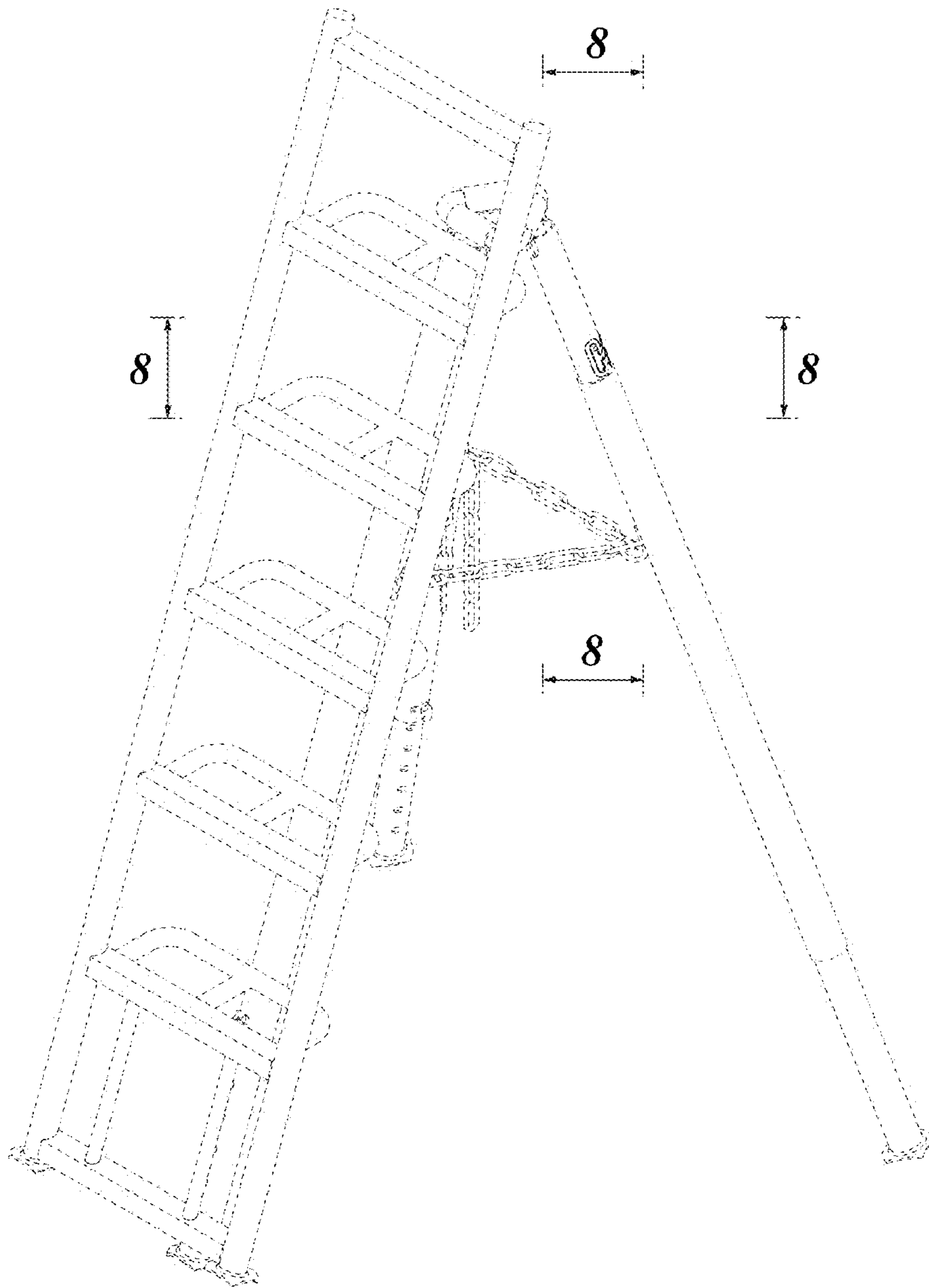


FIG. 2

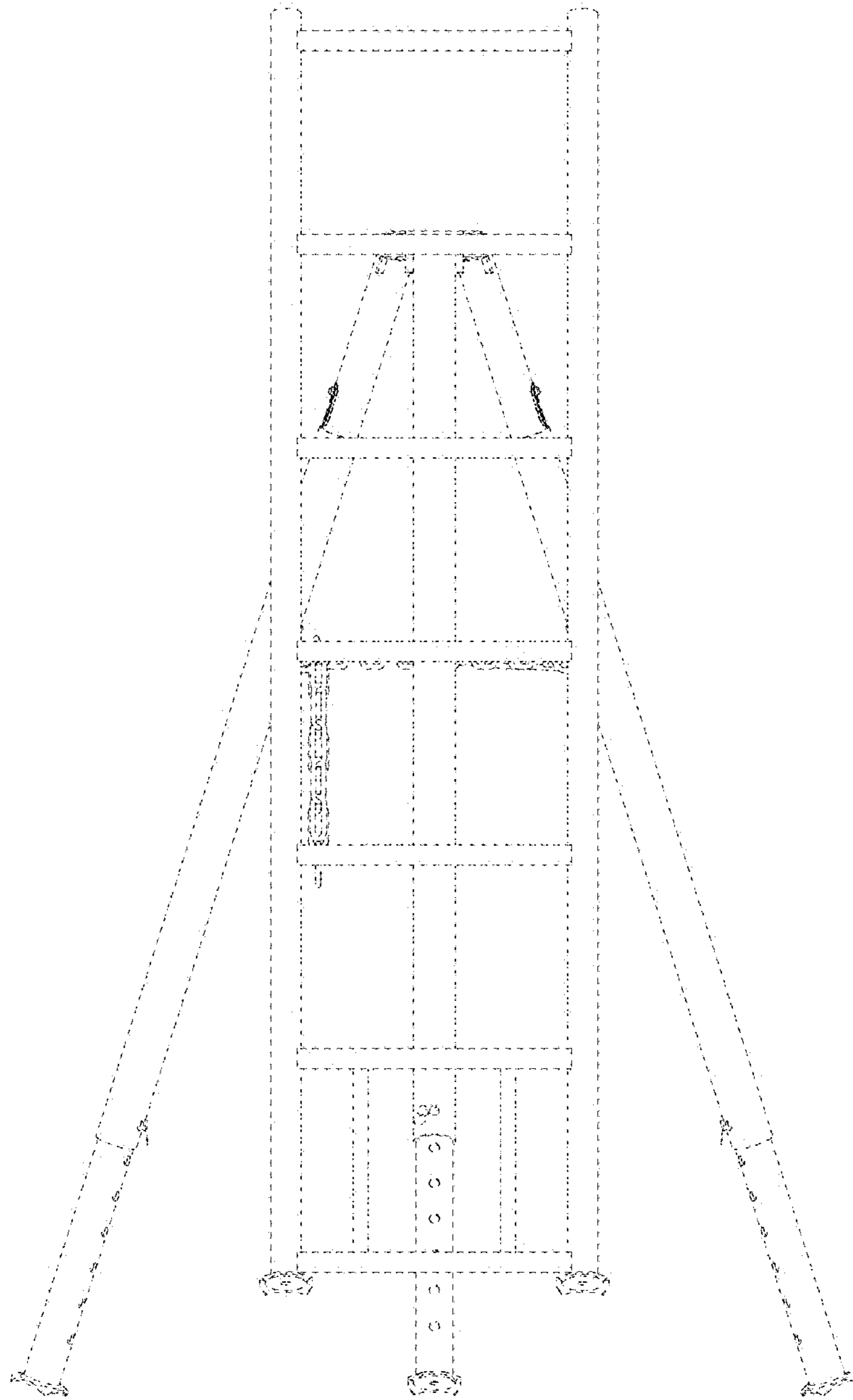


FIG. 3

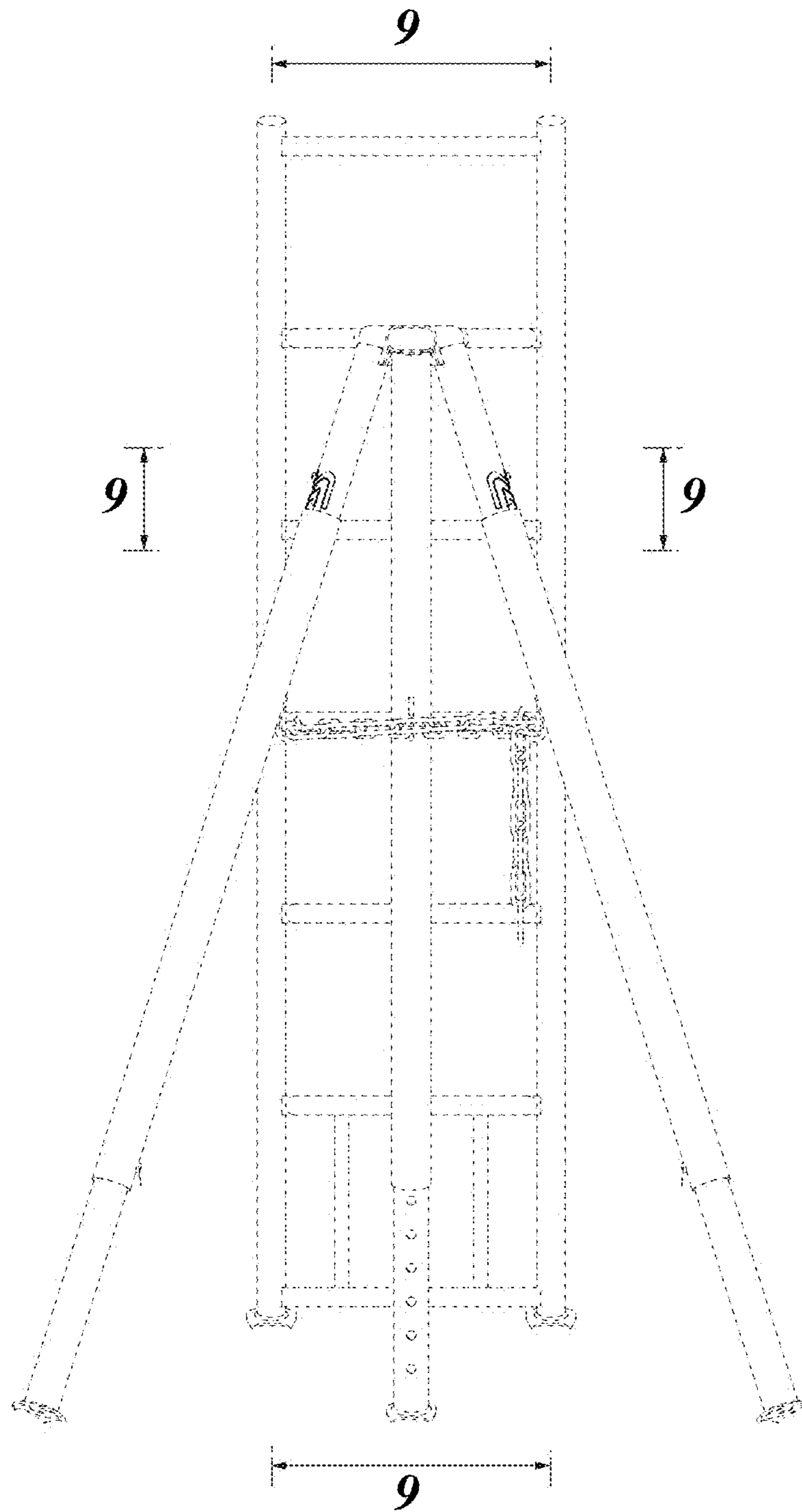


FIG. 4

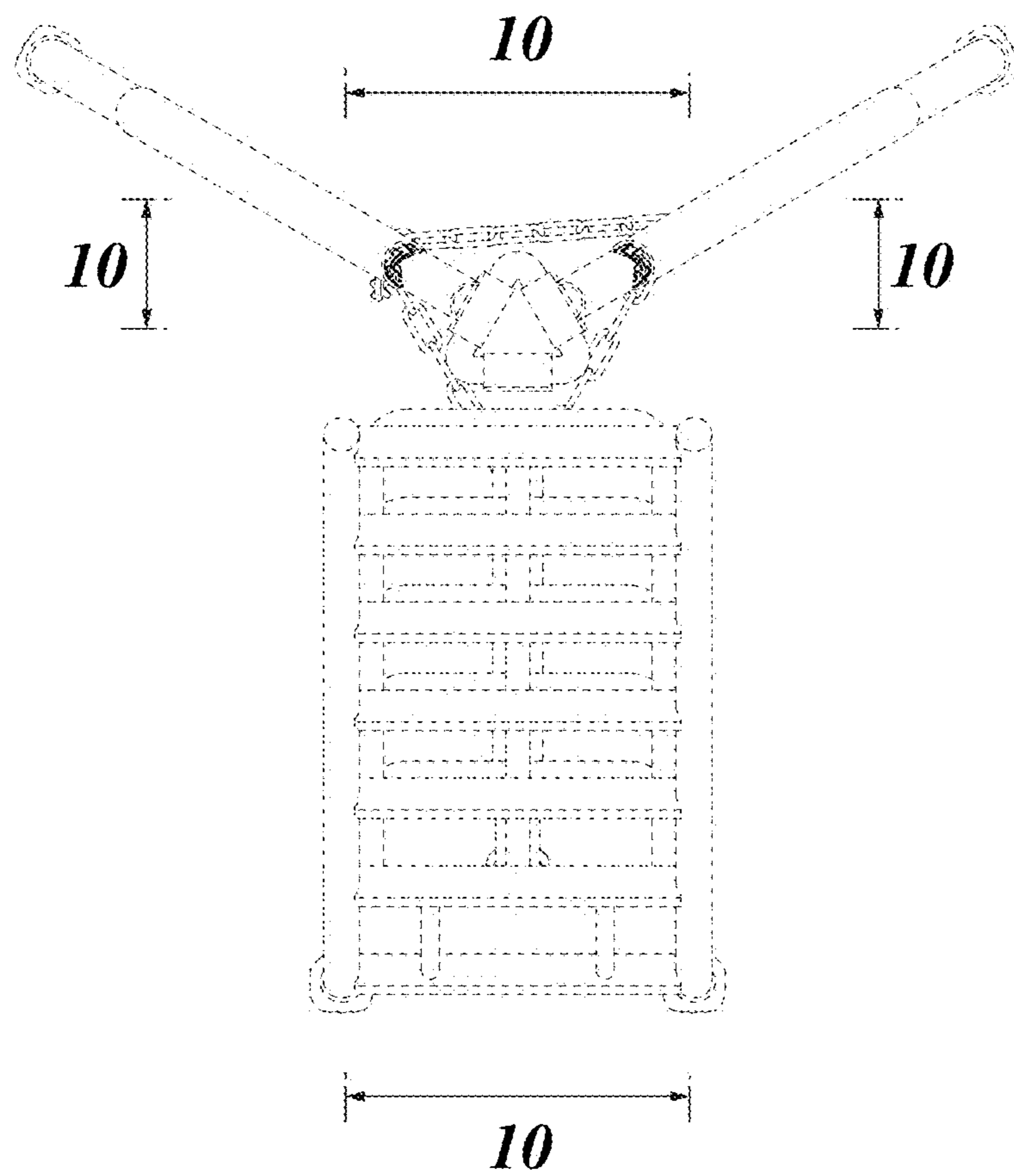


FIG. 5

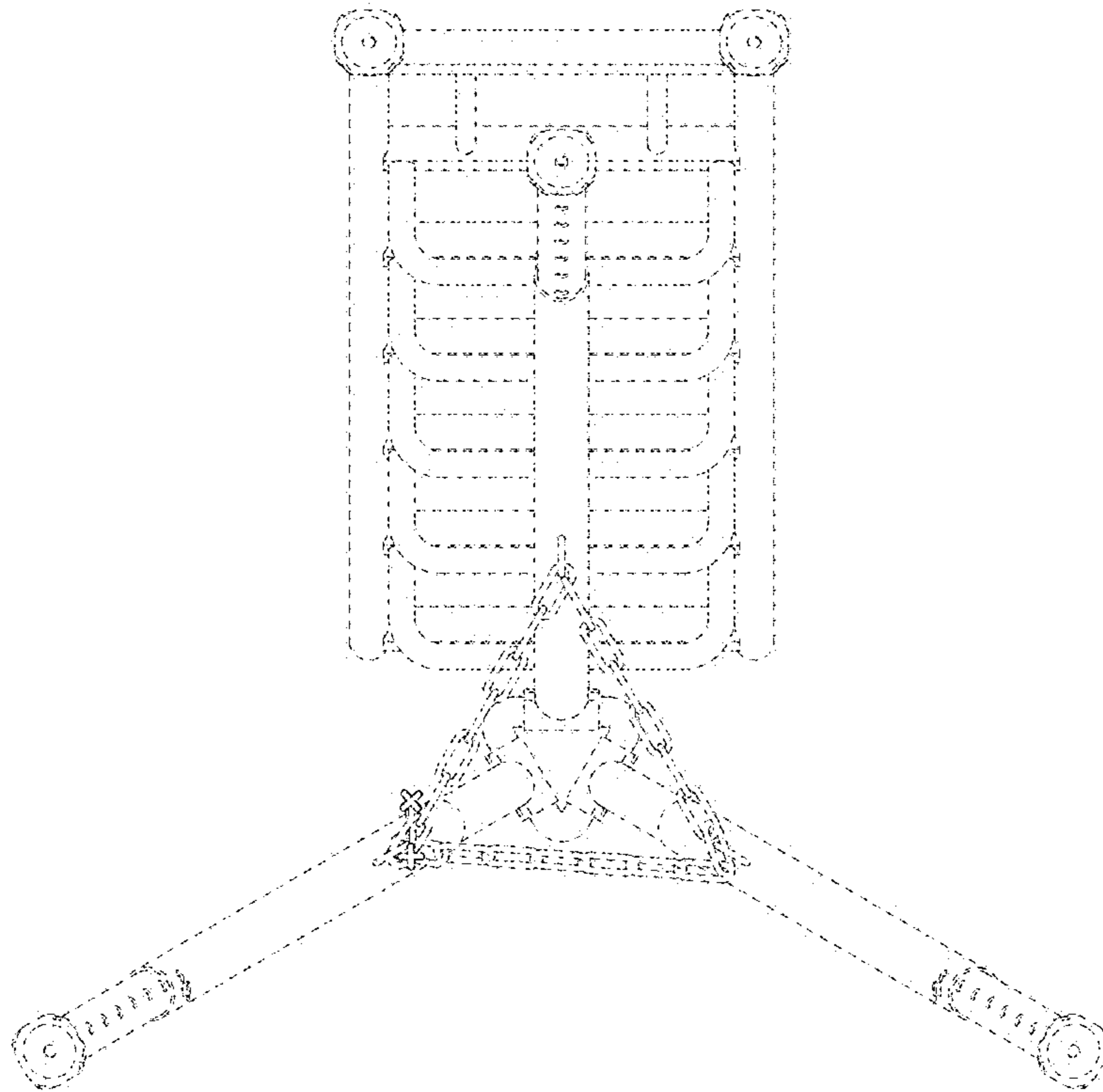


FIG. 6

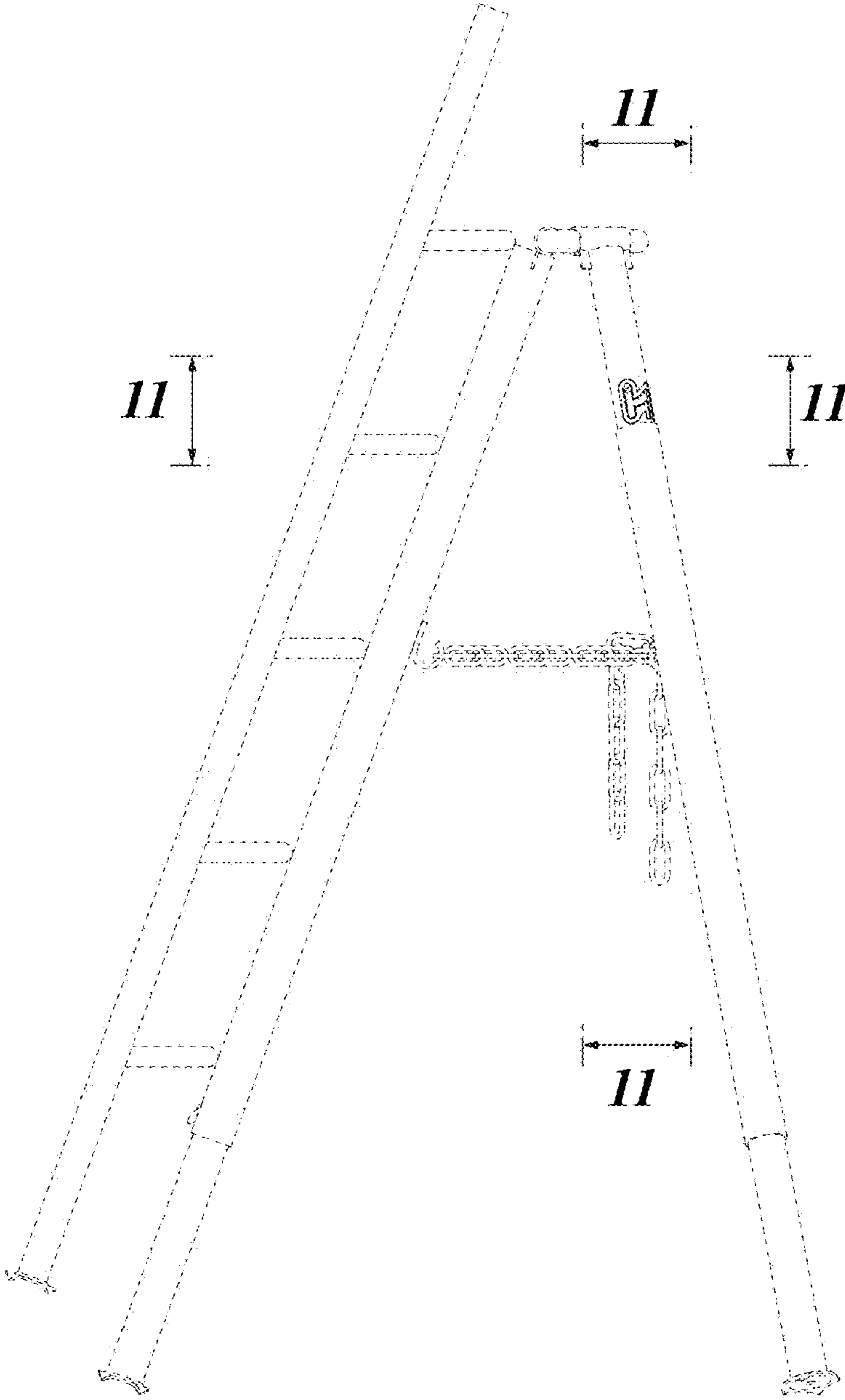


FIG. 7

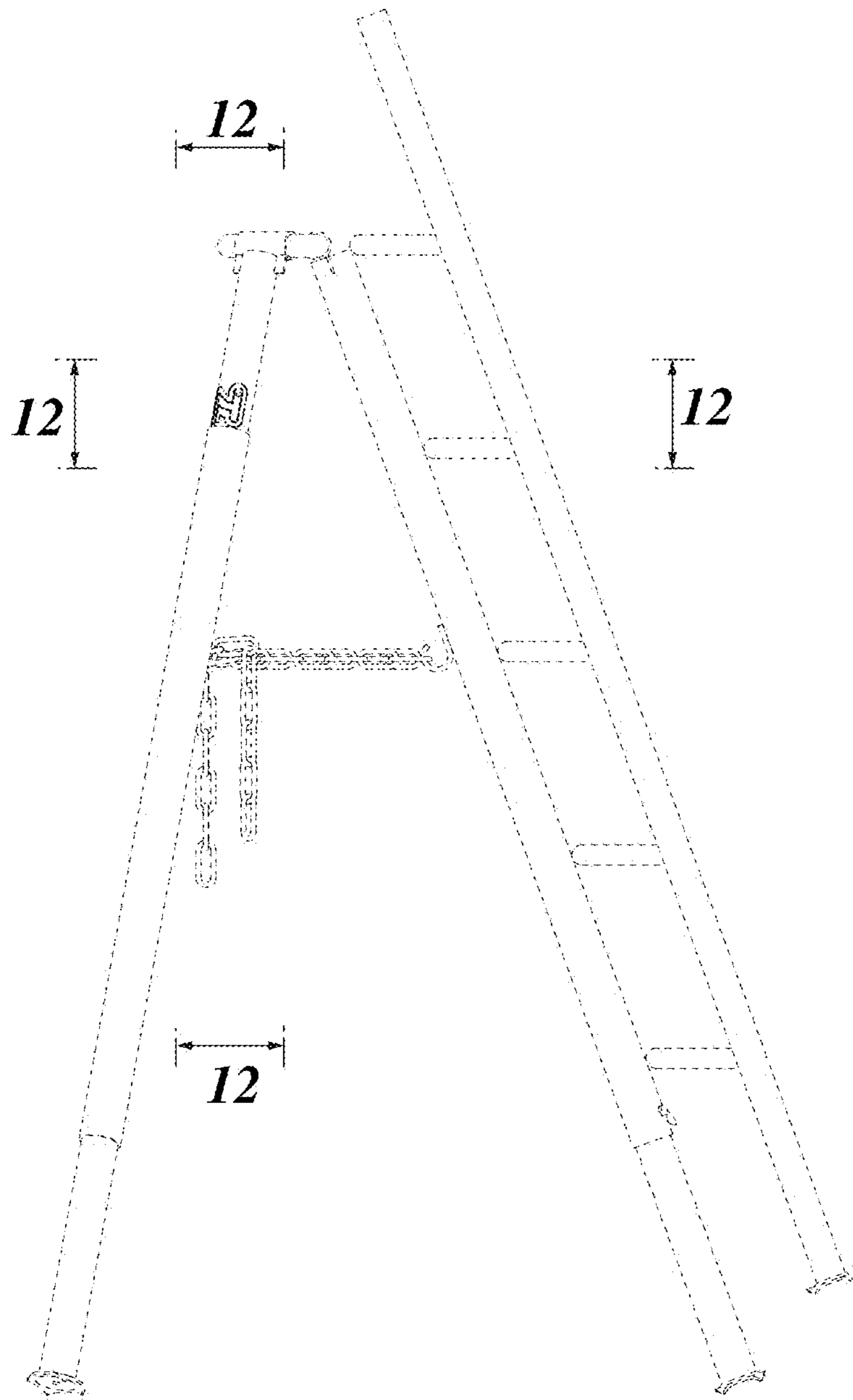


FIG. 8

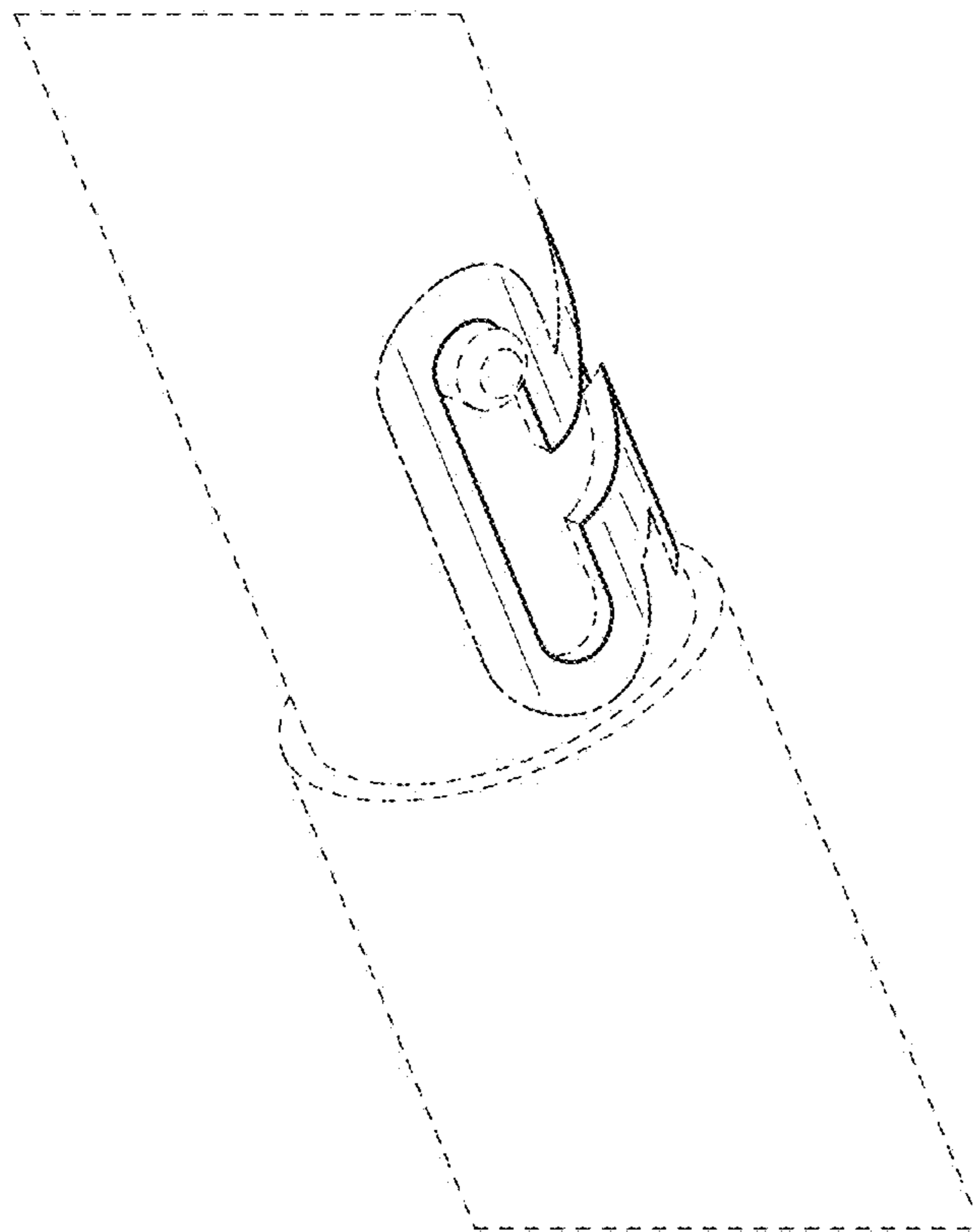


FIG. 9

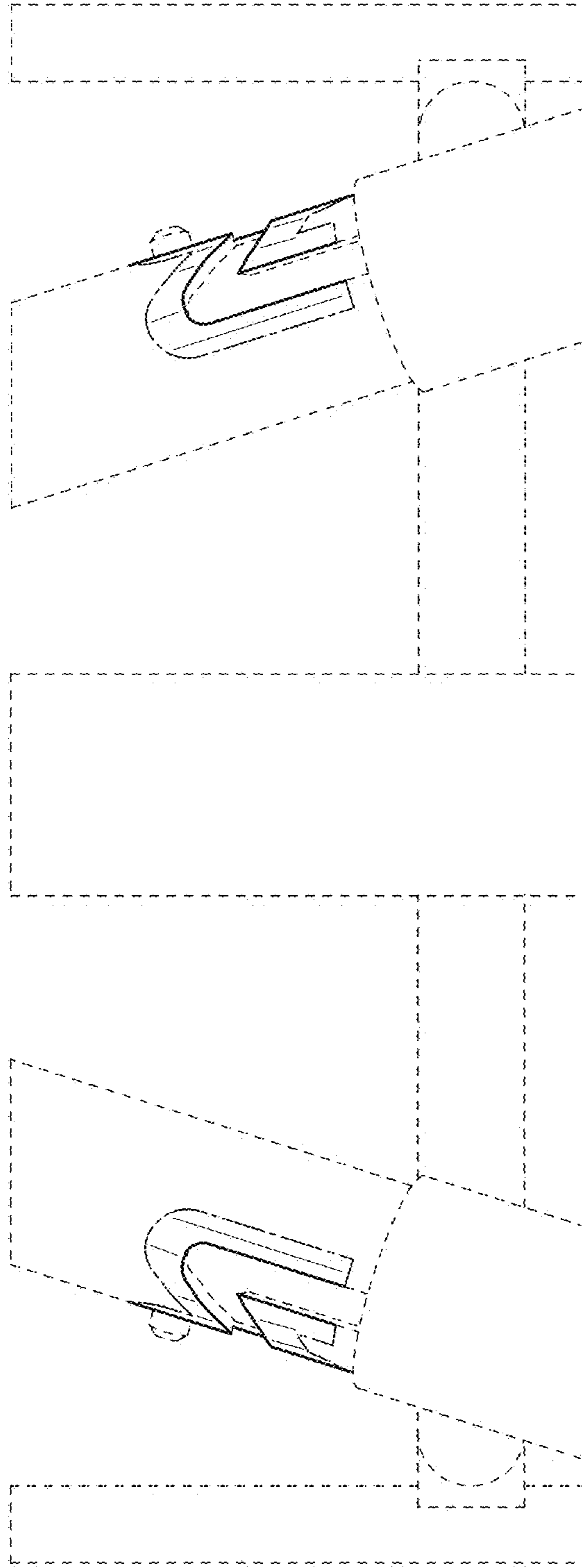


FIG. 10

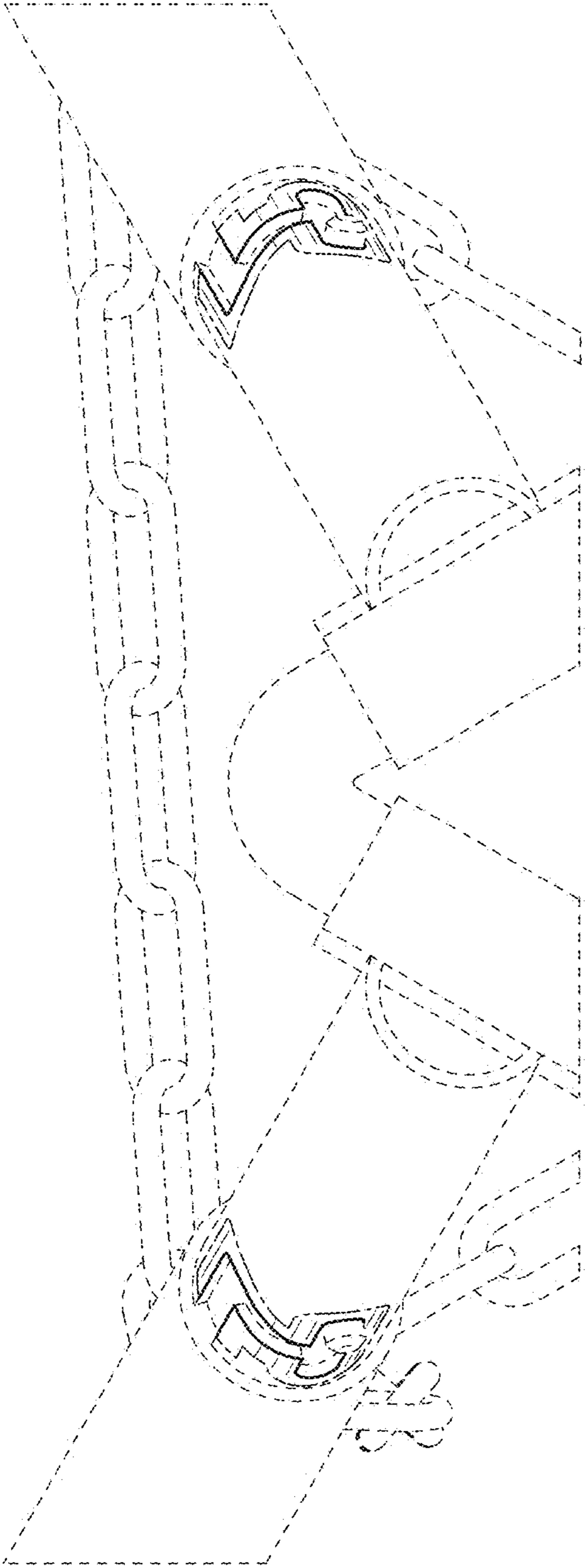


FIG. 11

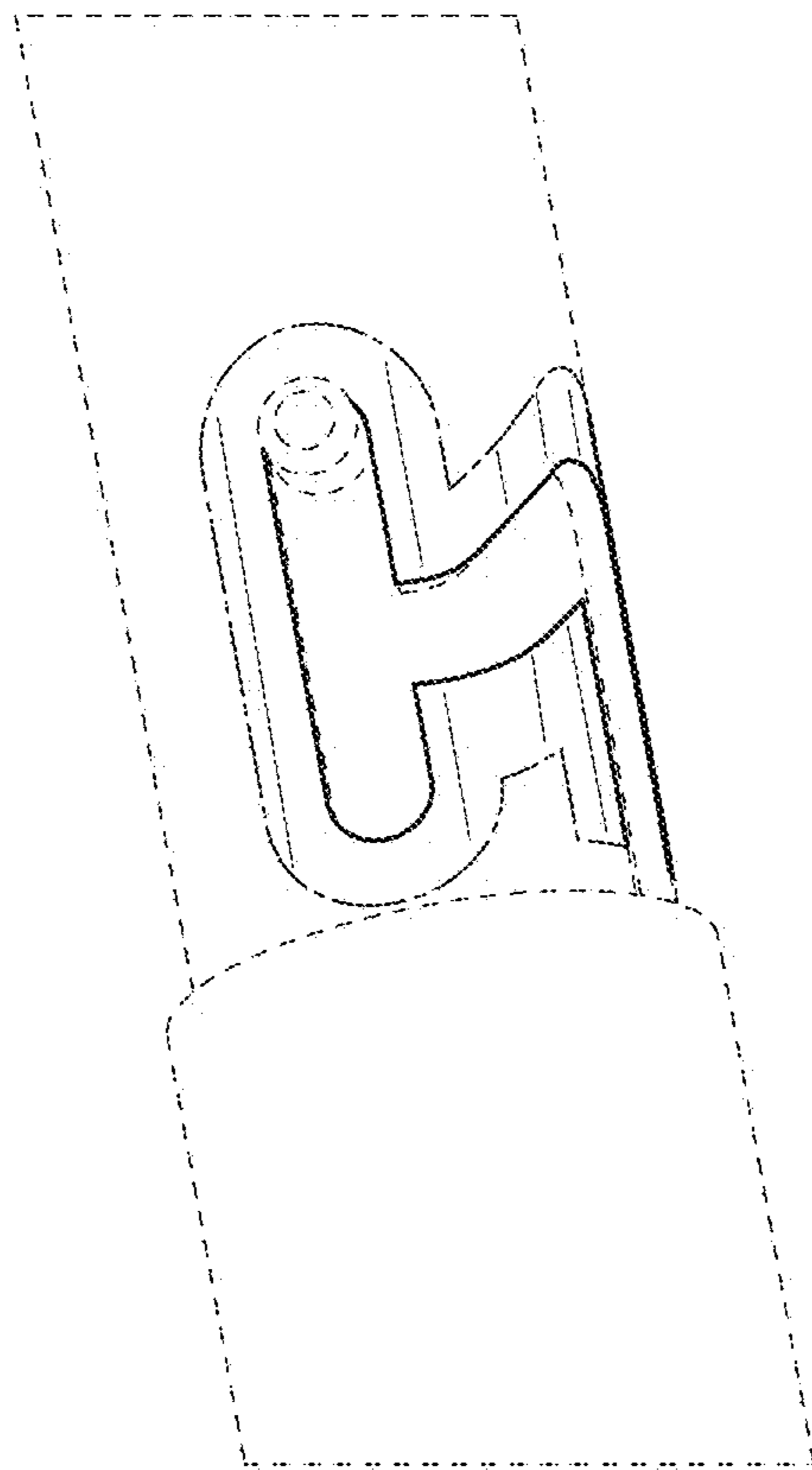


FIG. 12

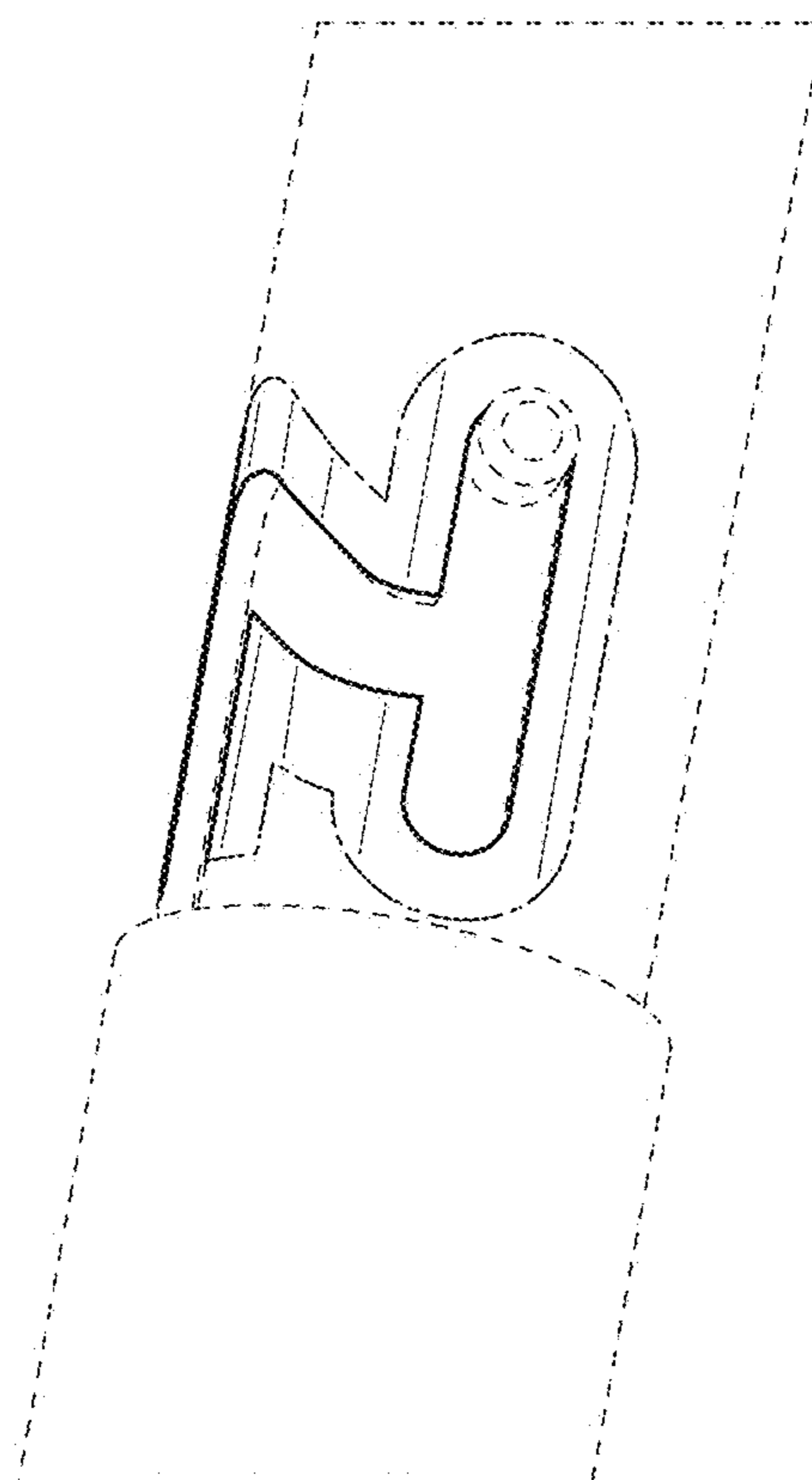


FIG. 13

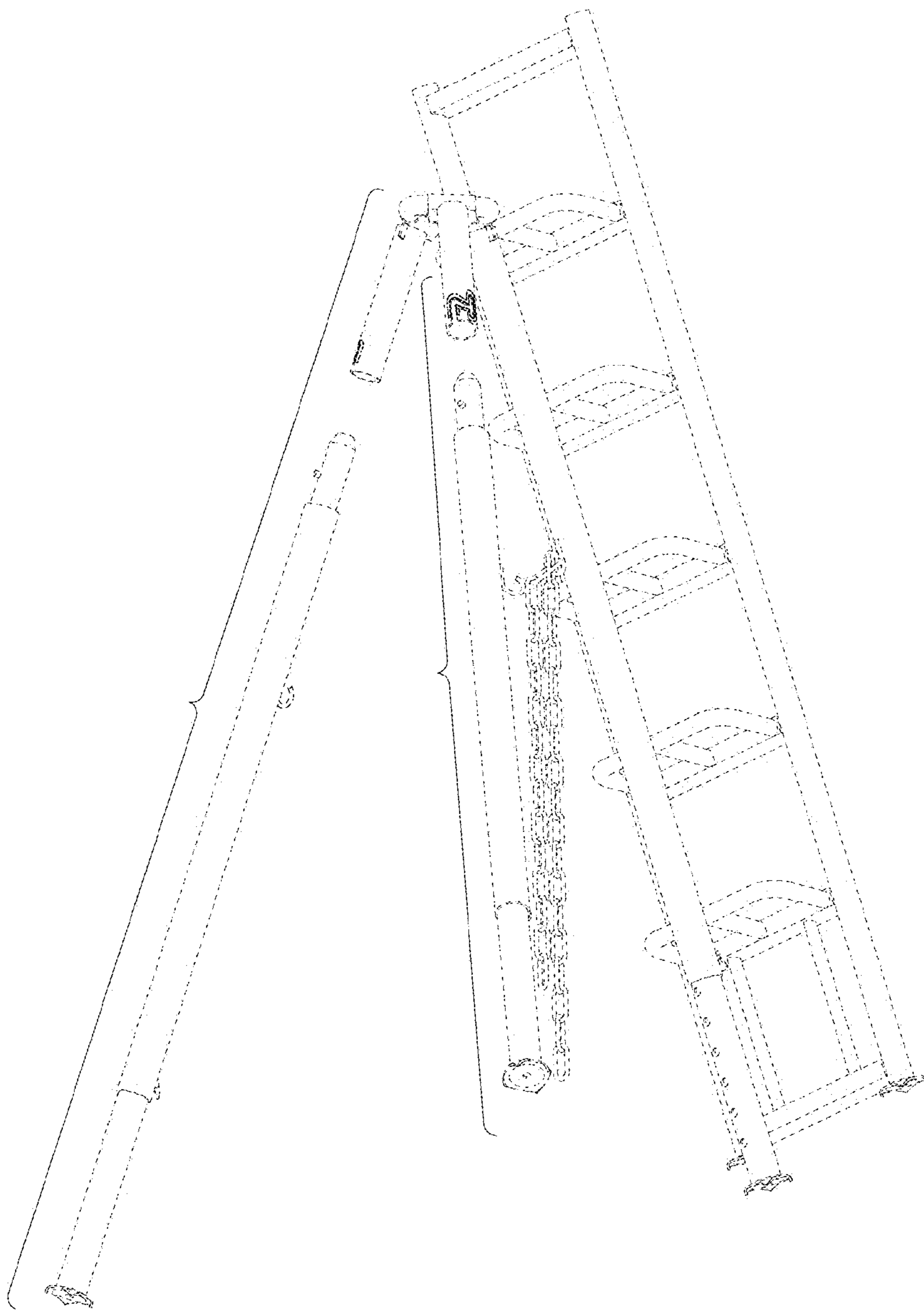


FIG. 14

