



US00D765267S

(12) **United States Design Patent**
Uetabira

(10) **Patent No.:** **US D765,267 S**

(45) **Date of Patent:** **** Aug. 30, 2016**

- (54) **MOBILE TERMINAL BOOTH**
- (71) Applicant: **INTERMAN Corporation**, Kagoshima (JP)
- (72) Inventor: **Shigeki Uetabira**, Kagoshima (JP)
- (73) Assignee: **INTERMAN Corporation**, Kagoshima (JP)
- (**) Term: **15 Years**
- (21) Appl. No.: **29/539,404**
- (22) Filed: **Sep. 14, 2015**

- D103,937 S 4/1937 Iannelli
- D196,039 S 8/1963 Hollaender
- 3,733,759 A 5/1973 Schulte et al.
- D242,546 S 11/1976 Day et al.
- 4,733,507 A 3/1988 Doublet
- D305,689 S 1/1990 Lerch

Primary Examiner — Robert Delehanty

(74) *Attorney, Agent, or Firm* — Maier & Maier, PLLC

Related U.S. Application Data

- (62) Division of application No. 29/465,774, filed on Aug. 30, 2013, now Pat. No. Des. 741,503.
- (51) **LOC (10) Cl.** **25-03**
- (52) **U.S. Cl.**
USPC **D25/16**
- (58) **Field of Classification Search**
USPC D25/1, 3-4, 16, 31, 33
CPC E04H 1/1255; E04H 1/12; E04B 2/74;
E04B 2/7433
See application file for complete search history.

References Cited

U.S. PATENT DOCUMENTS

- 1,514,038 A 11/1924 Douglas
- 1,704,689 A 3/1929 Berg

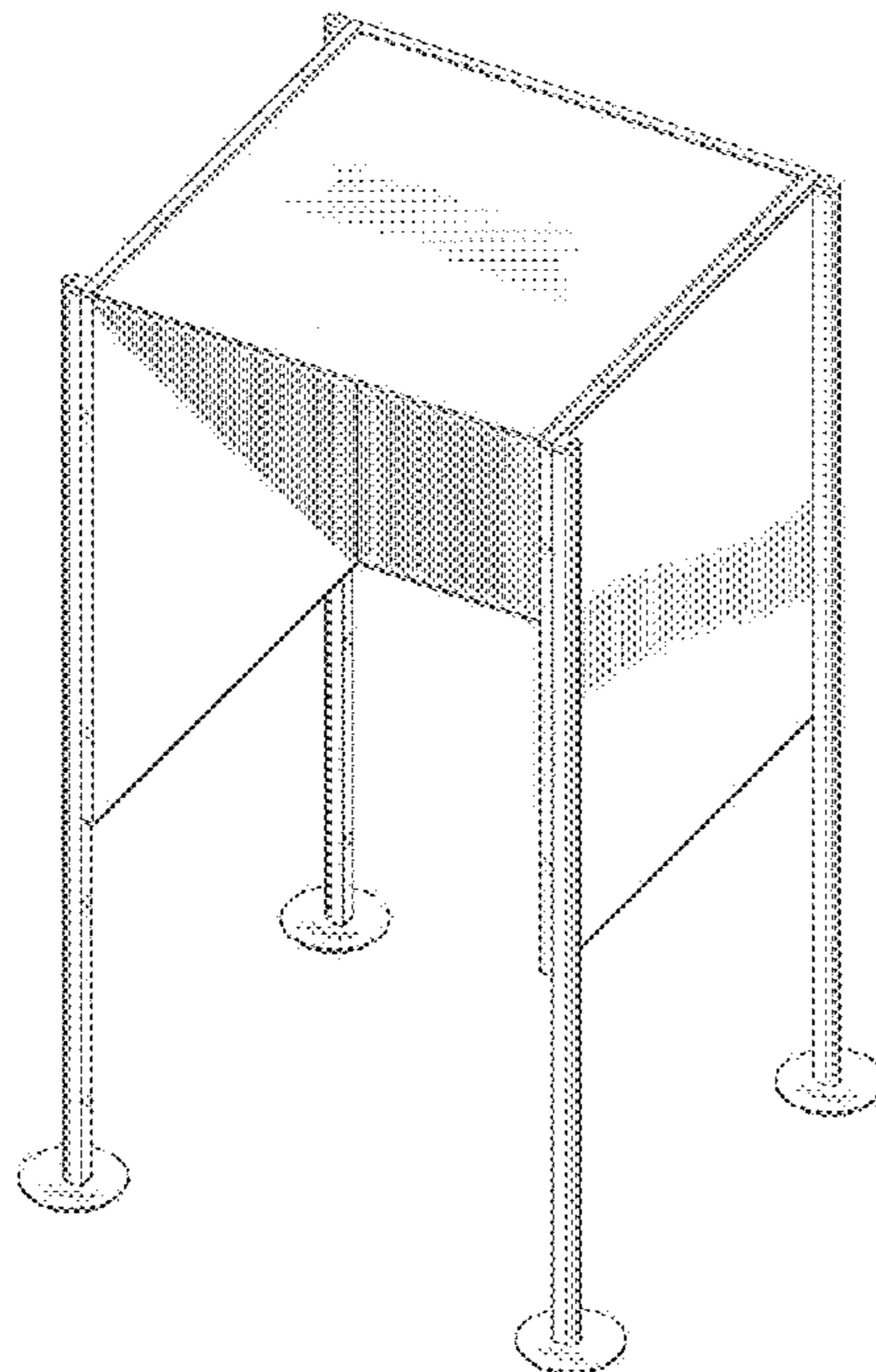
(57) **CLAIM**

The ornamental design for a mobile terminal booth, as shown and described.

DESCRIPTION

FIG. 1 is a perspective view of a mobile terminal booth;
 FIG. 2 is a front view thereof;
 FIG. 3 is a rear view thereof;
 FIG. 4 is a left side view thereof;
 FIG. 5 is a right side view thereof;
 FIG. 6 is a top view thereof;
 FIG. 7 is a bottom view thereof;
 FIG. 8 is a cross-sectional view thereof along line G-G of FIG. 2;
 FIG. 9 is a cross-sectional view thereof along line H-H of FIG. 2; and,
 FIG. 10 is a cross-sectional view thereof along line I-I of FIG. 2.

1 Claim, 10 Drawing Sheets



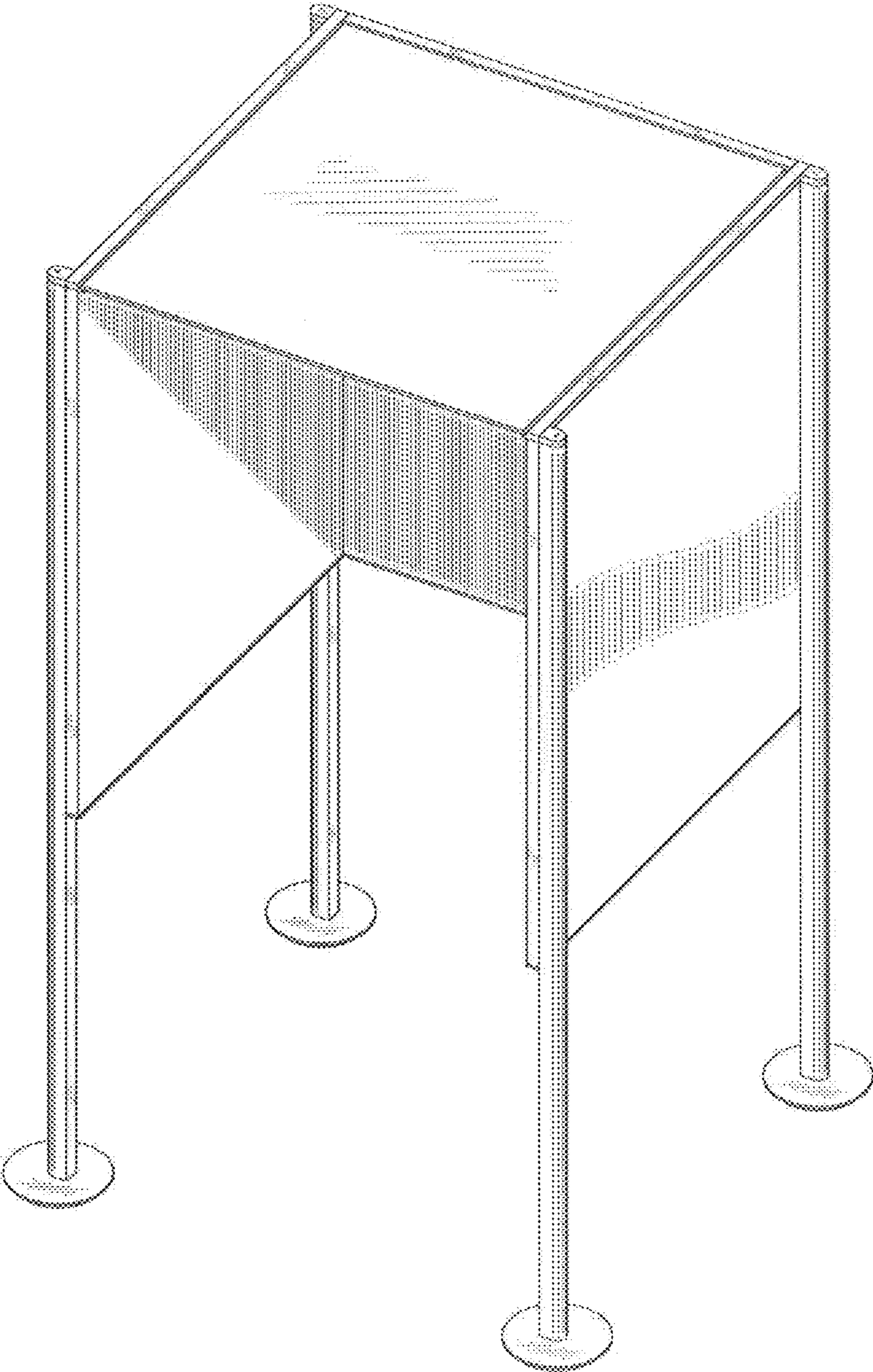


FIG. 1

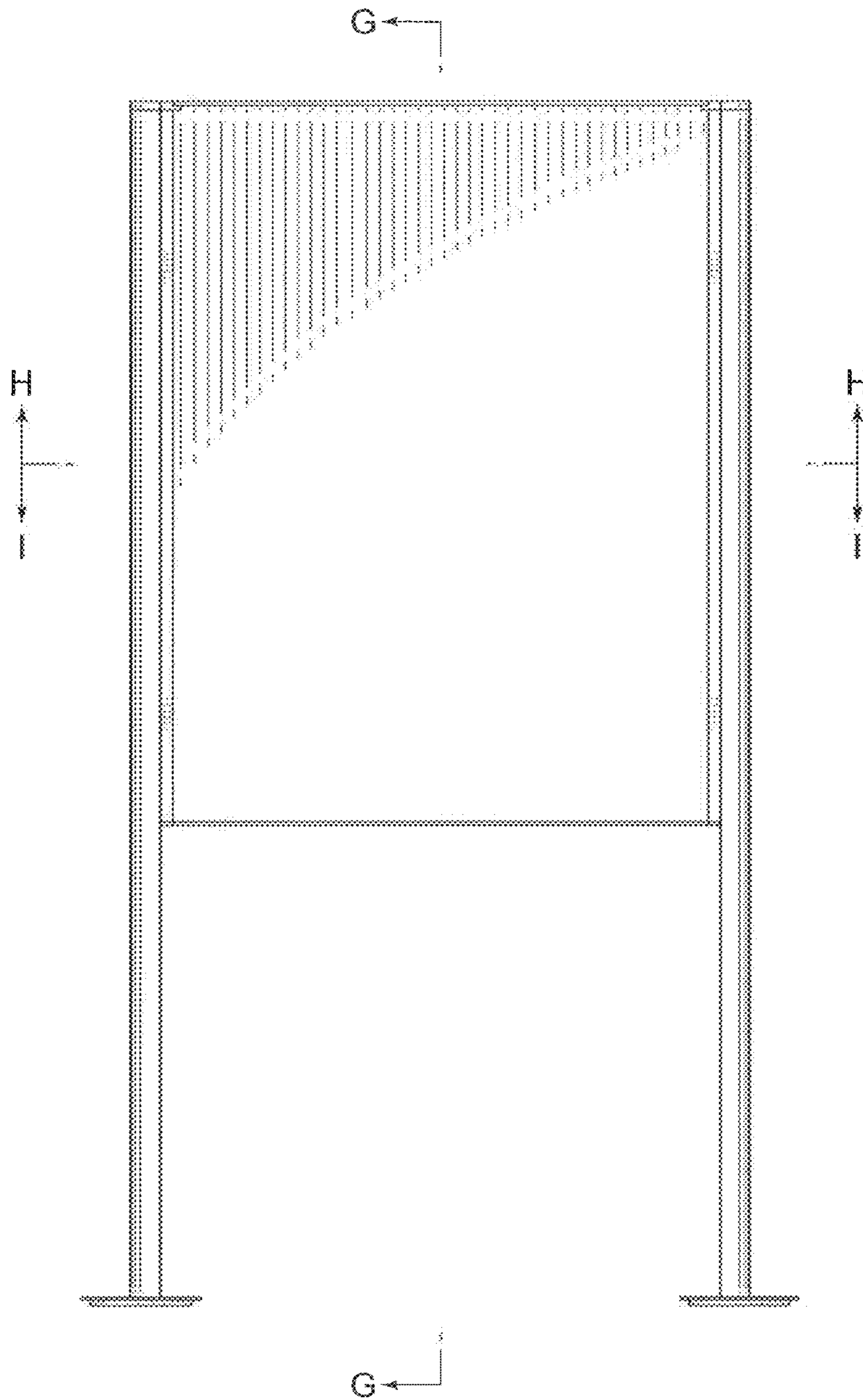


FIG. 2

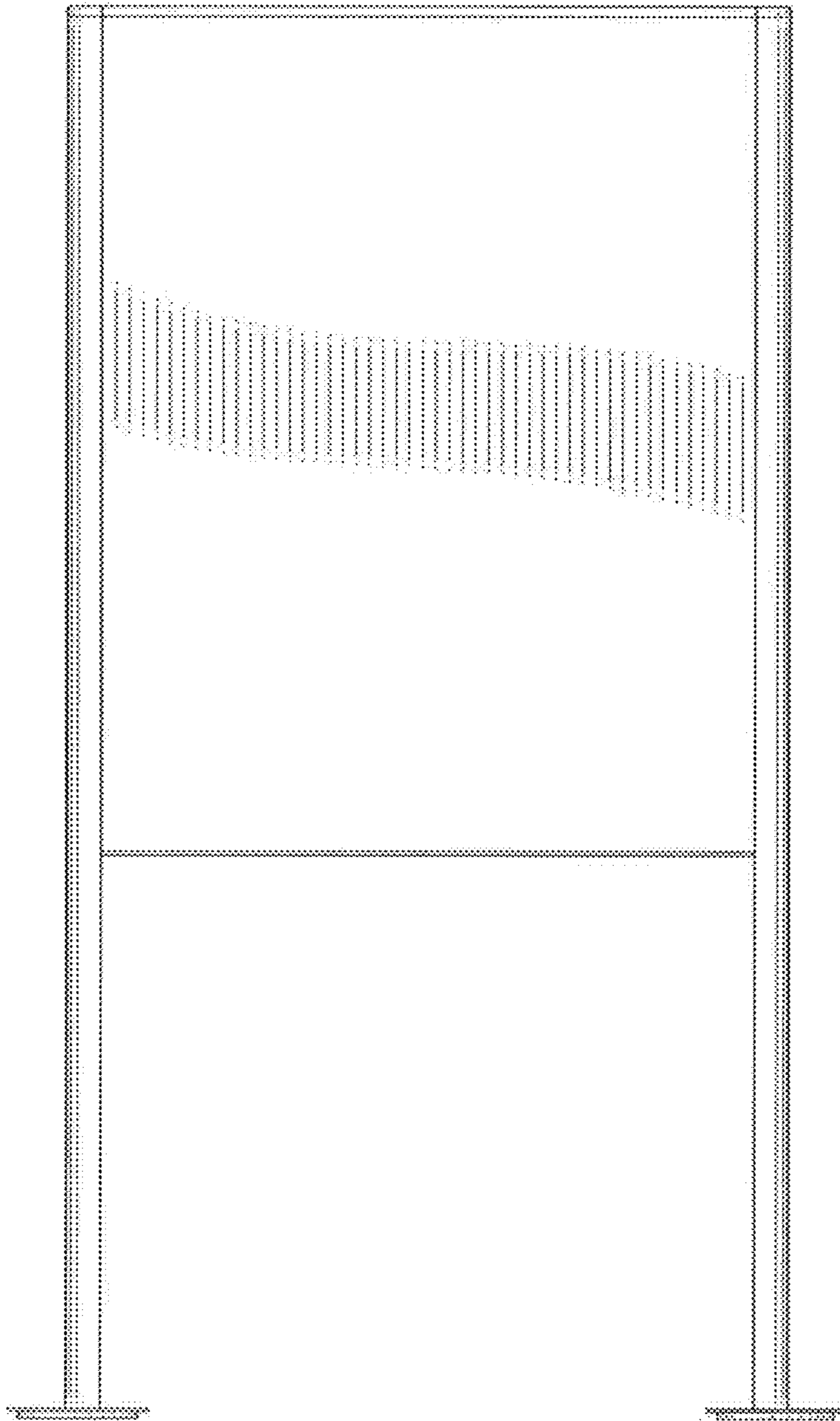


FIG. 3

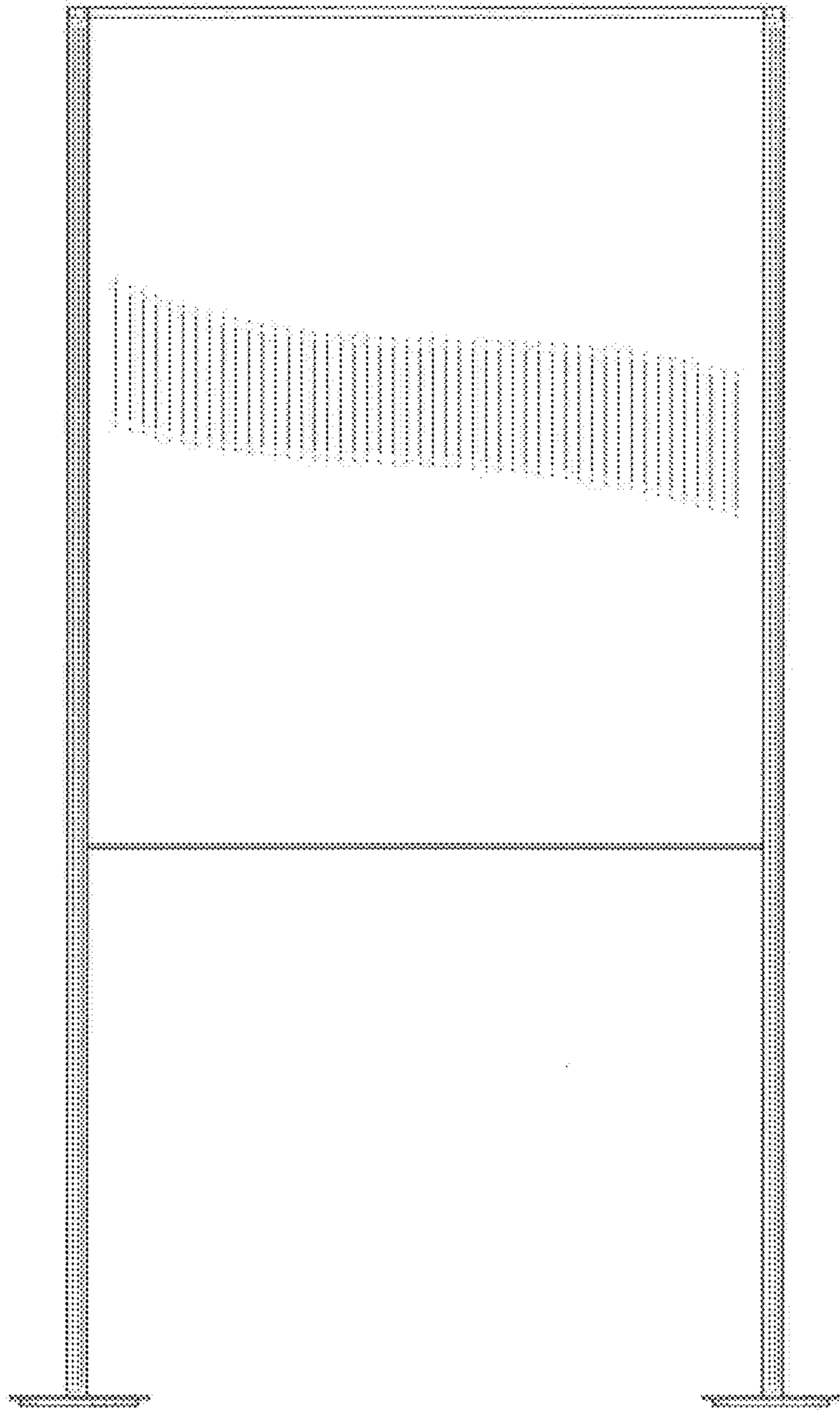


FIG. 4

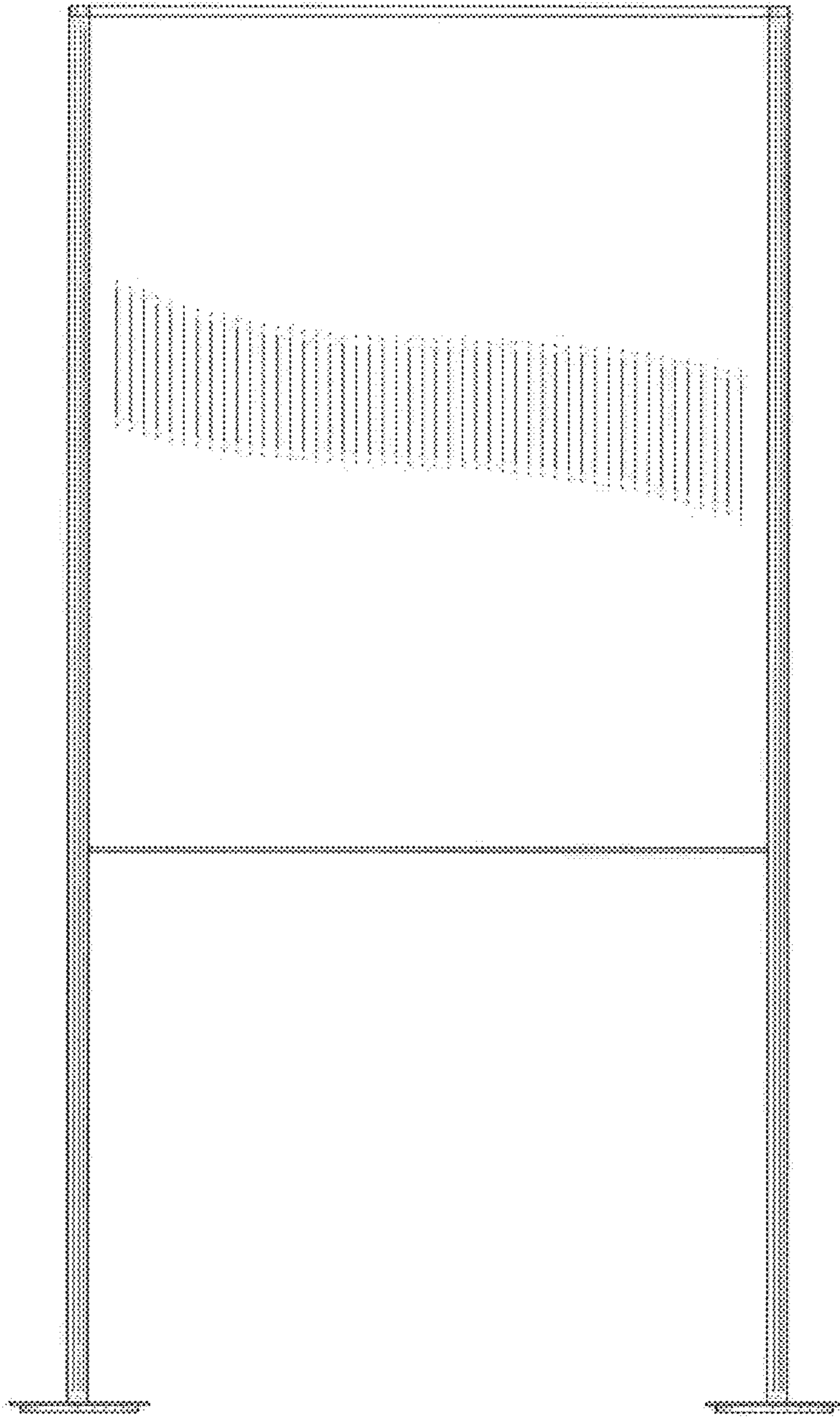


FIG. 5

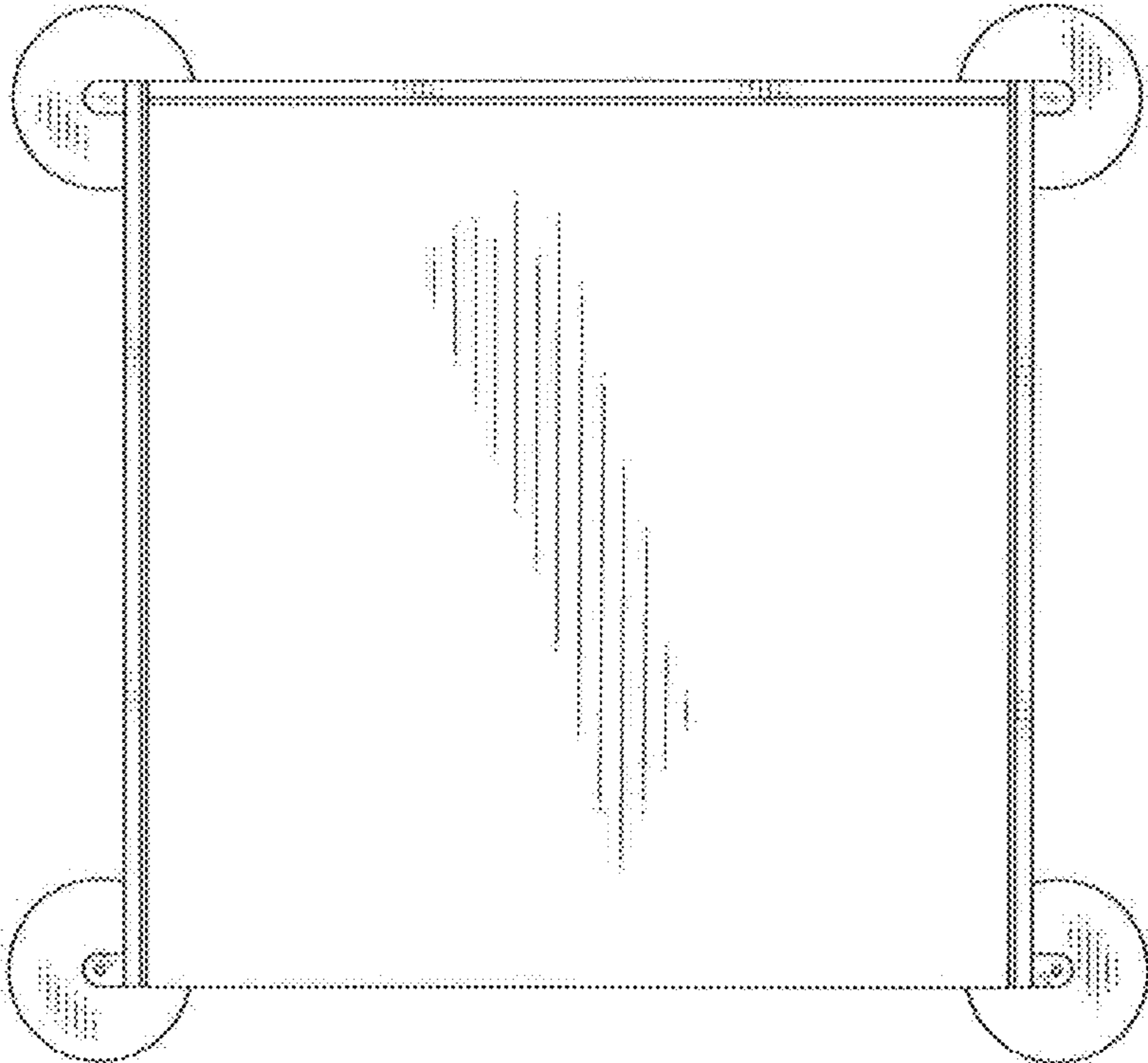


FIG. 6

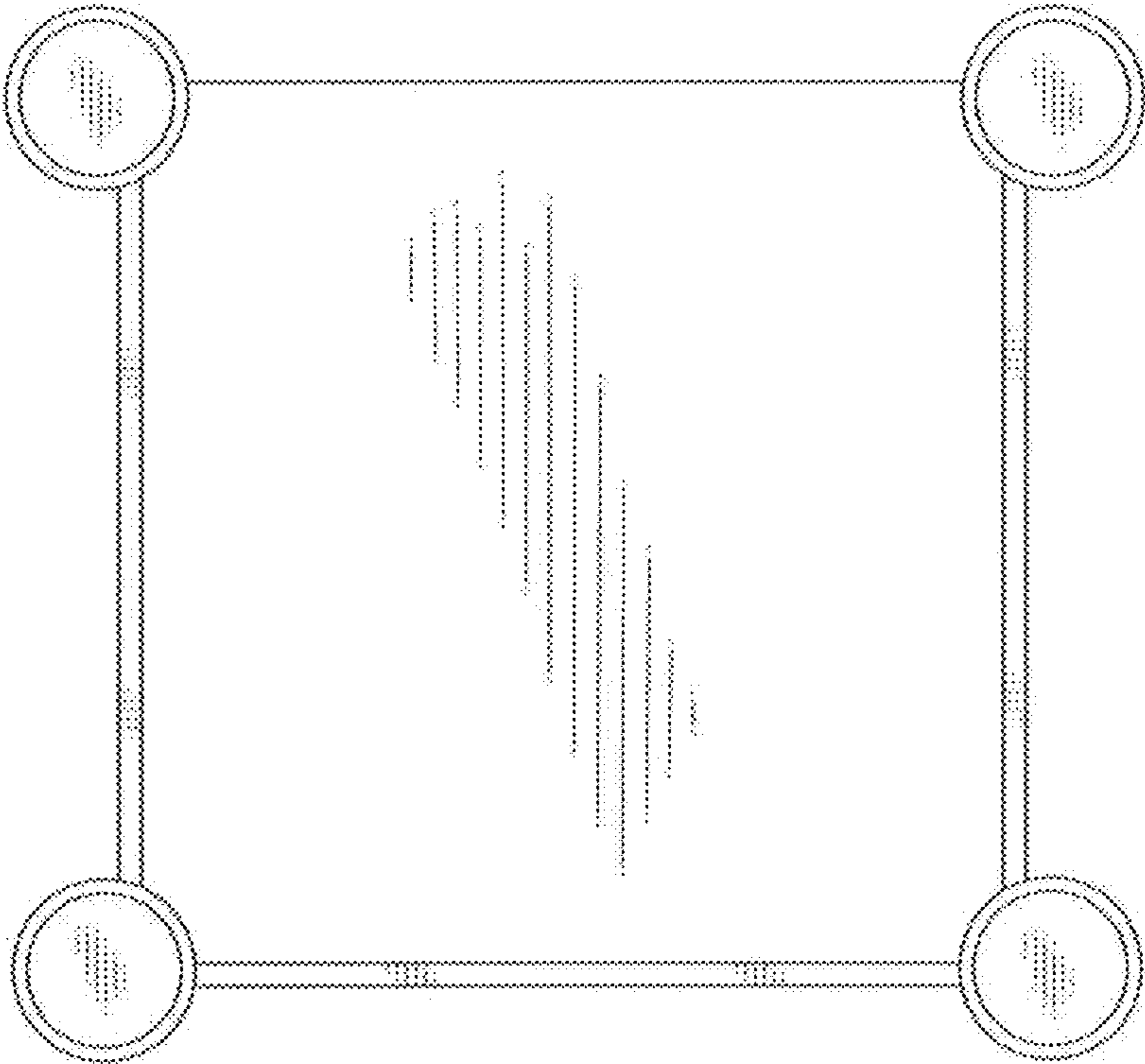


FIG. 7

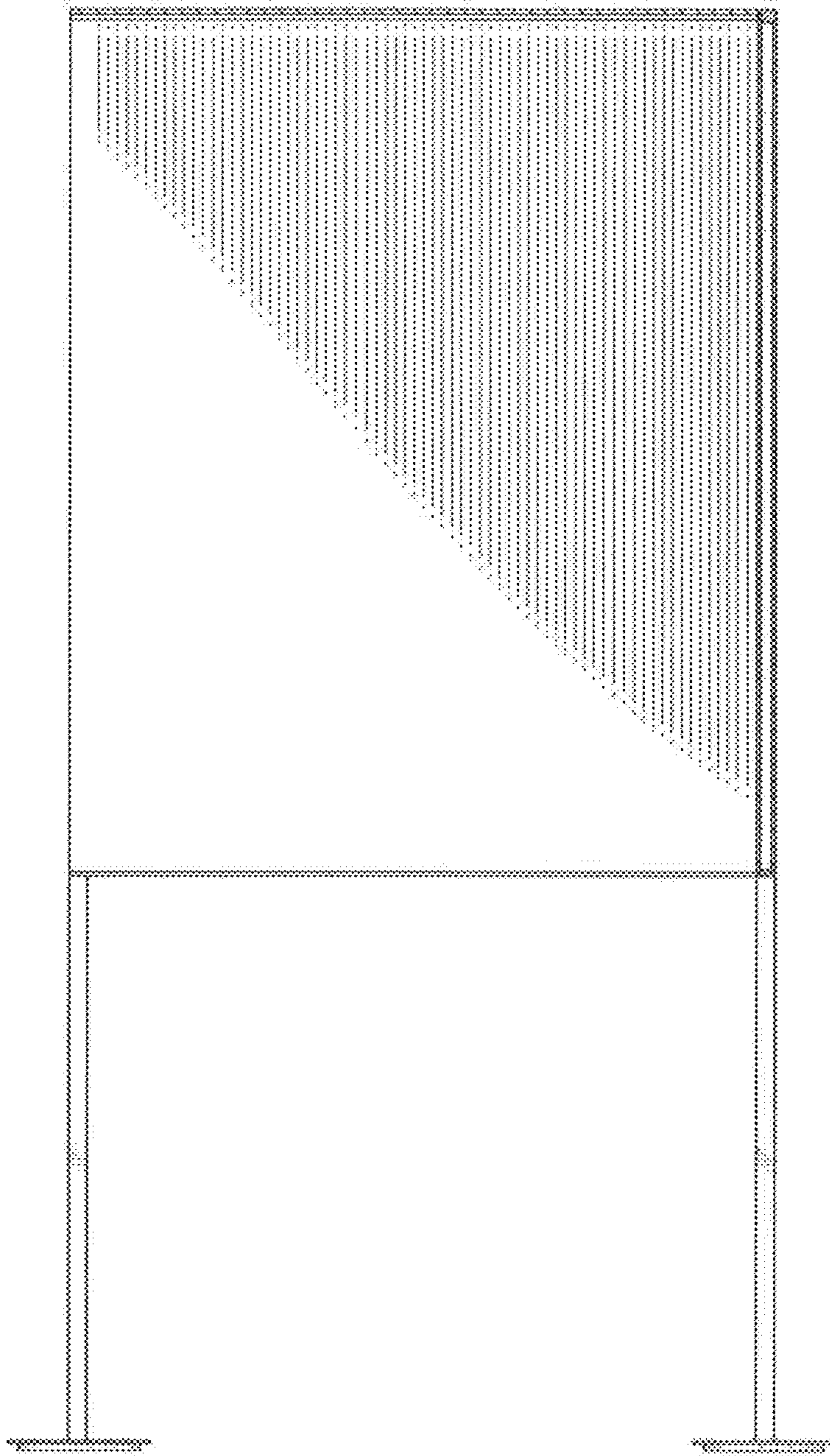


FIG. 8

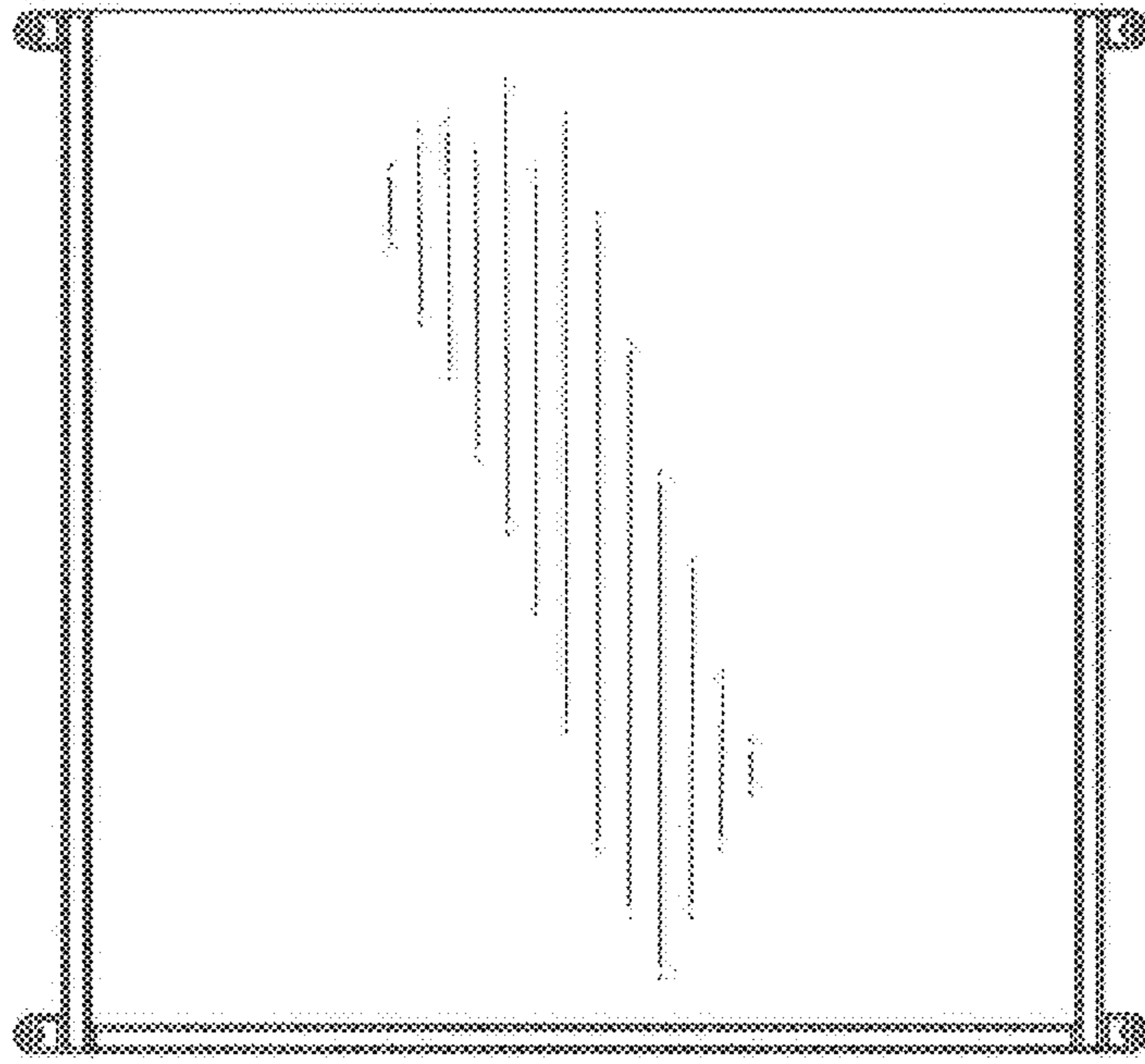


FIG. 9

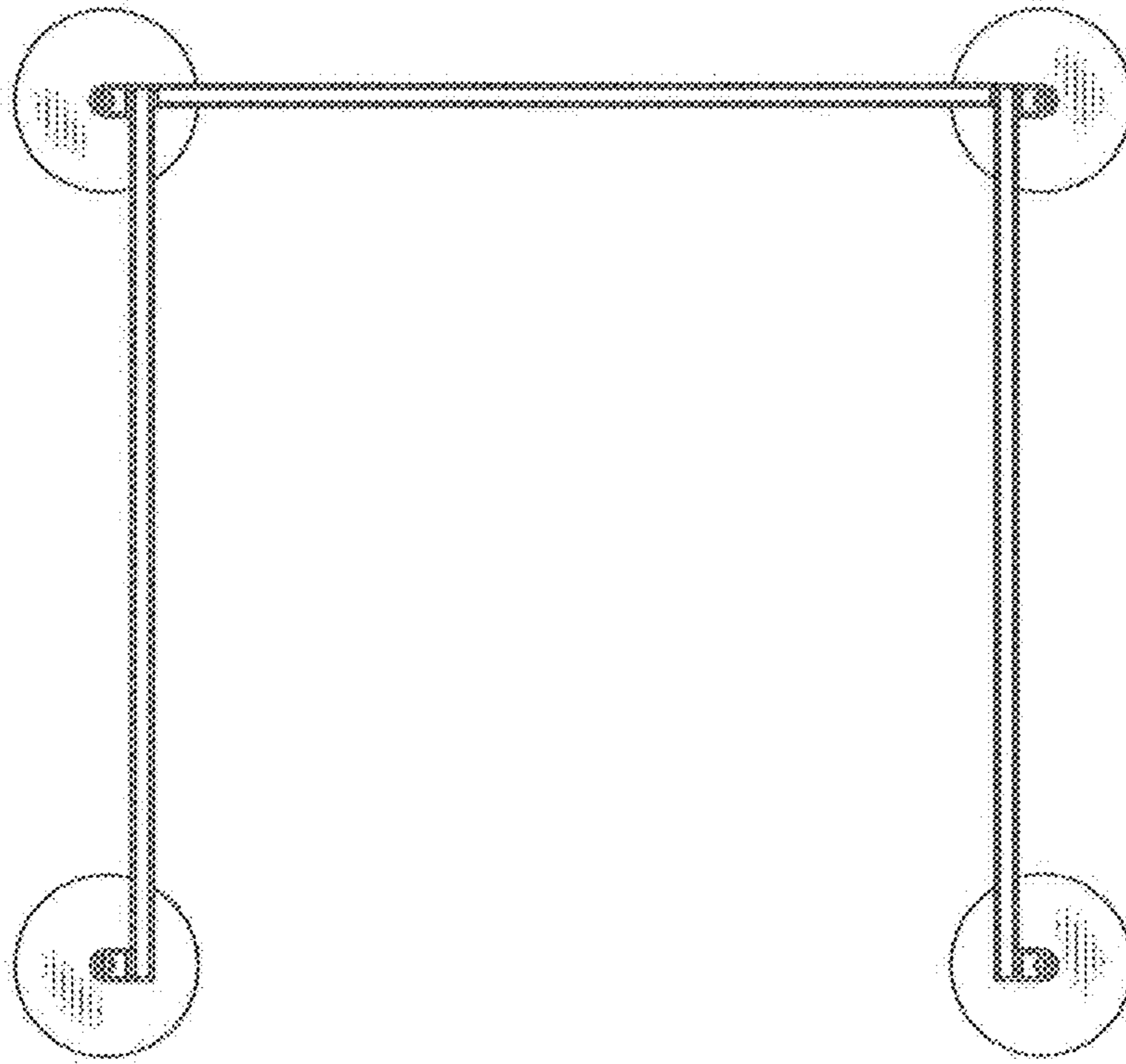


FIG. 10