

US00D765263S

(12) **United States Design Patent** (10) **Patent No.:** **US D765,263 S**
Nelson (45) **Date of Patent:** **** Aug. 30, 2016**

(54) **SANITATION DEVICE FOR DENTAL ACCESSORIES**

(71) Applicant: **Ryan Sheldon Nelson**, El Cajon, CA (US)

(72) Inventor: **Ryan Sheldon Nelson**, El Cajon, CA (US)

(**) Term: **14 Years**

(21) Appl. No.: **29/519,346**

(22) Filed: **Mar. 4, 2015**

(51) **LOC (10) Cl.** **24-01**

(52) **U.S. Cl.**
USPC **D24/217**

(58) **Field of Classification Search**
USPC D24/216, 217, 218, 227-232, 176;
D32/1, 25; D6/528, 534
CPC A61L 2/26; A61L 2/24; A61L 2/17;
A61L 2/18; A61L 2/025; A61L 2202/122;
A61L 2202/10; A61L 2202/11; A61L
2202/14; A61L 2202/23; A61L 2202/24;
A61L 2202/182; A61L 2/10; A61L 2/085;
A61L 2/0047

See application file for complete search history.

(56) **References Cited**

U.S. PATENT DOCUMENTS

- 6,135,279 A * 10/2000 Dryer A61L 2/18
206/15.2
- D502,266 S * 2/2005 Shin D24/217
- D556,337 S * 11/2007 Davis D24/217
- D584,417 S * 1/2009 Masee D24/217
- D598,123 S * 8/2009 Steinhobel D24/217
- D661,812 S * 6/2012 Griffin D24/217
- 8,246,642 B2 8/2012 Houser et al.

- 8,707,504 B2 4/2014 Ryan
- 8,809,807 B2 8/2014 Nelson et al.
- D750,895 S * 3/2016 Jay D24/217
- 2006/0192137 A1 * 8/2006 Helmore A61L 2/10
250/436
- 2008/0067419 A1 * 3/2008 Shih A61L 2/10
250/455.11
- 2010/0326484 A1 12/2010 Wu
- 2011/0114124 A1 5/2011 Ryan
- 2014/0319375 A1 10/2014 Nelson et al.

FOREIGN PATENT DOCUMENTS

KR 20 2010010995 U 11/2010

* cited by examiner

Primary Examiner — Anhdao Doan

(57) **CLAIM**

The ornamental design for a sanitation device for dental accessories, as shown and described.

DESCRIPTION

FIG. 1 is a perspective top view of the sanitation device; FIG. 2 is a left side view thereof, the right side view being a mirror image;

FIG. 3 is a front view thereof;

FIG. 4 is a rear view thereof;

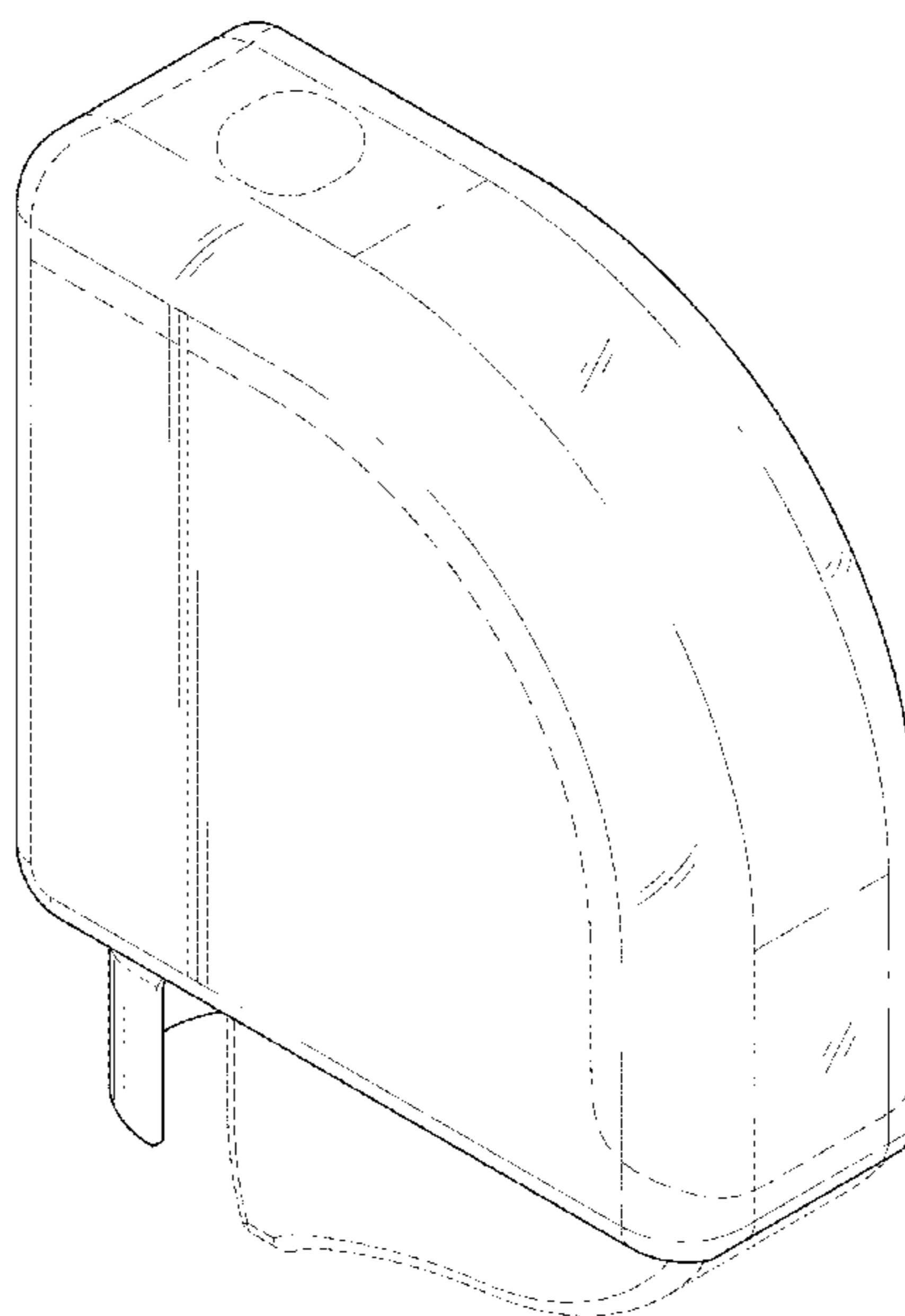
FIG. 5 is a top view thereof;

FIG. 6 is a bottom view thereof; and,

FIG. 7 is a perspective top view of the sanitation device mounted on a dental accessory, such as an electric toothbrush.

The broken line showing of an electric toothbrush in FIG. 7 represent an environment. Other broken lines illustrate portions of the sanitation device that form no part of the claimed design. The broken lines form no part of the claimed design.

1 Claim, 5 Drawing Sheets



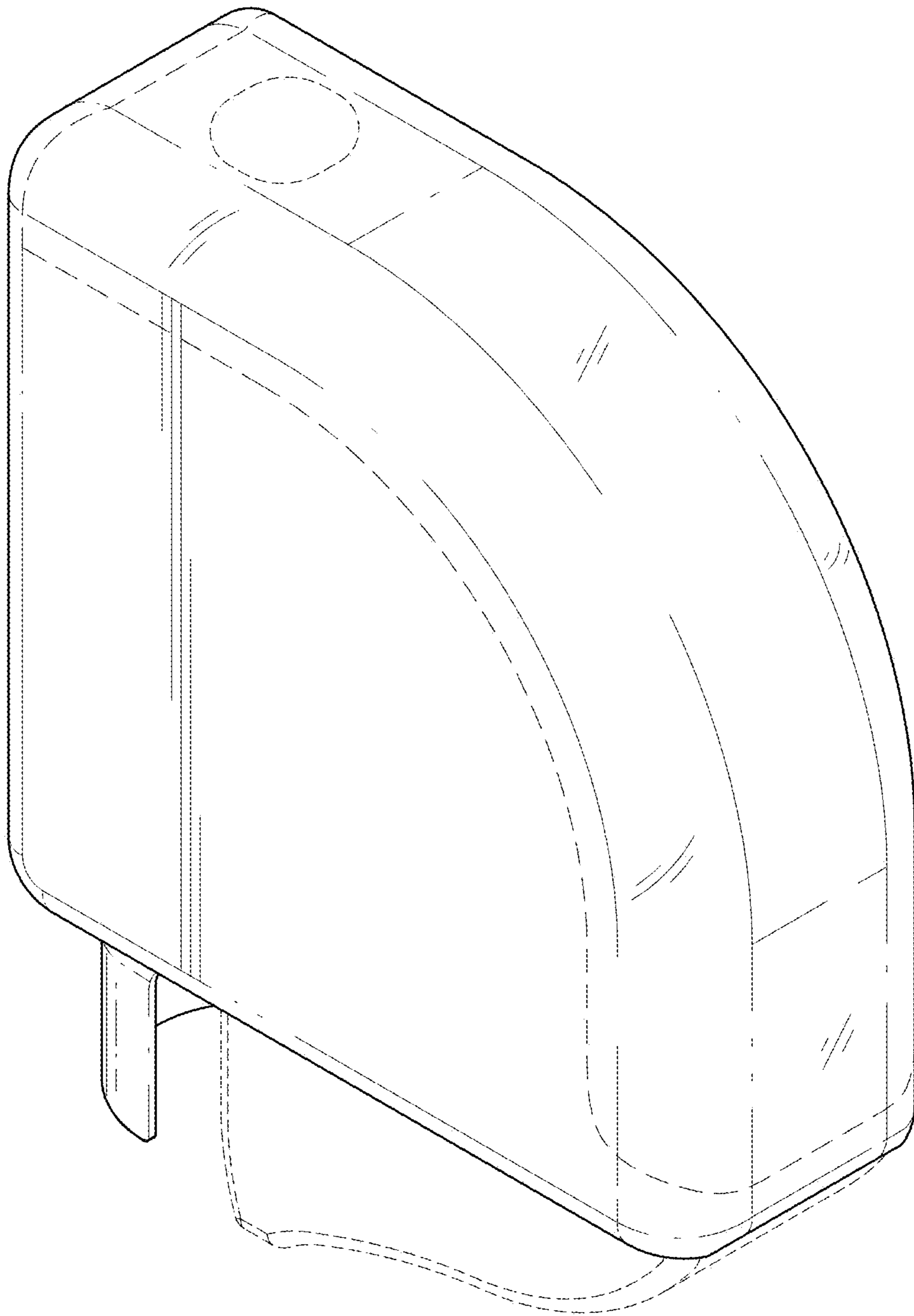


FIG. 1

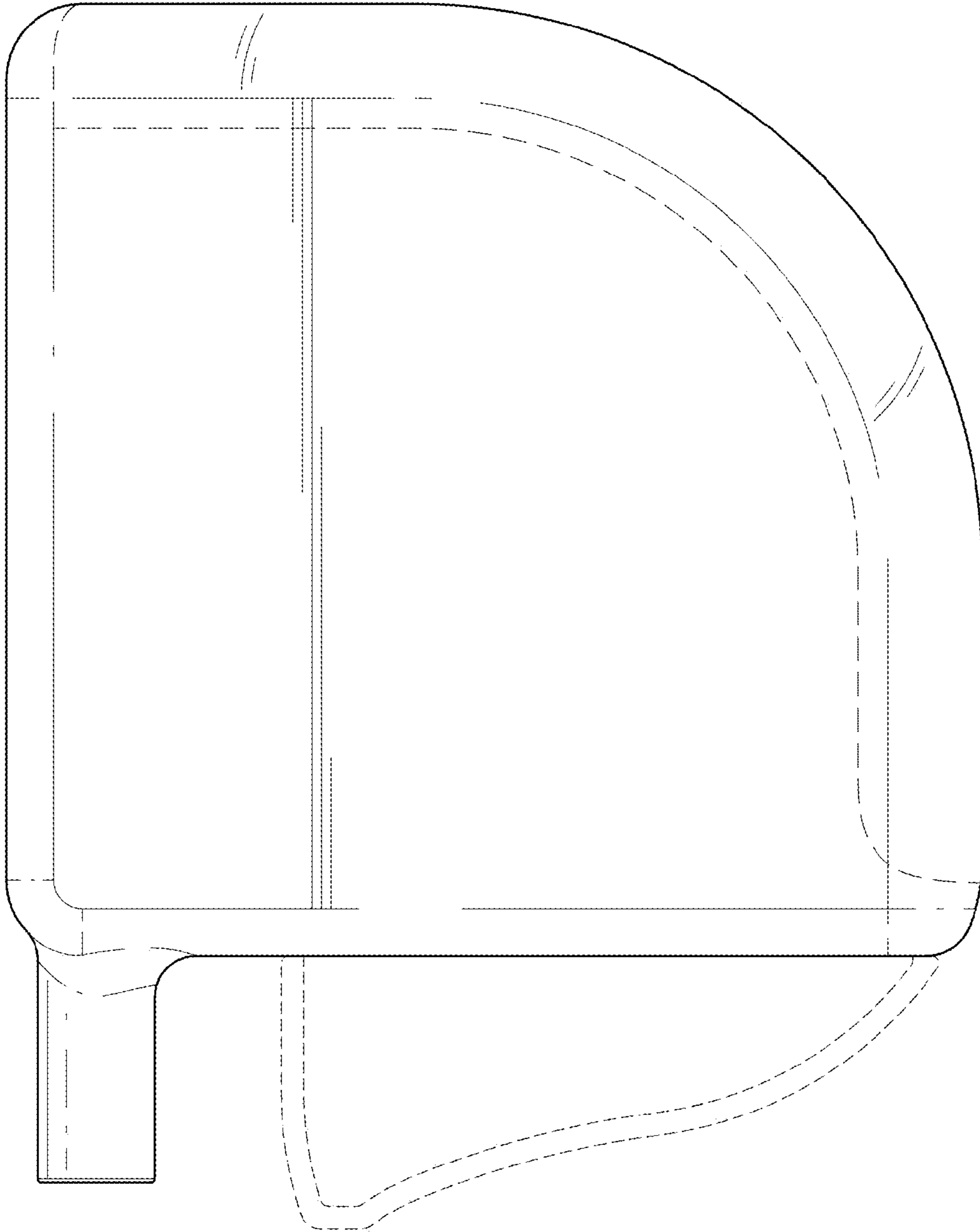


FIG. 2

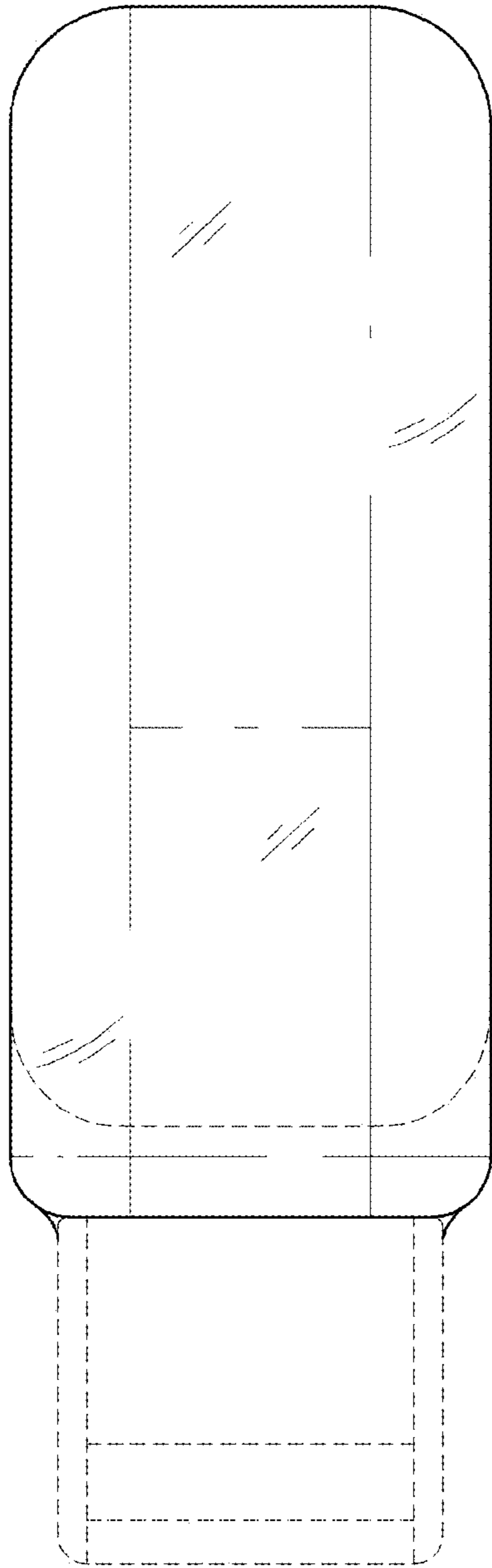


FIG. 3

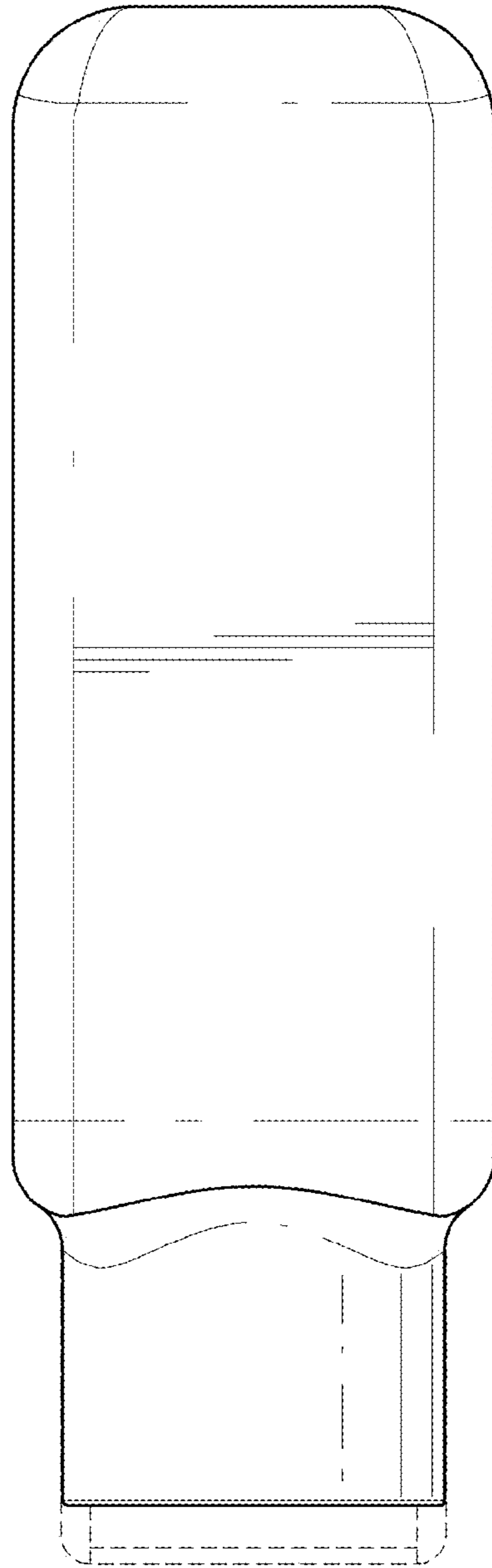


FIG. 4

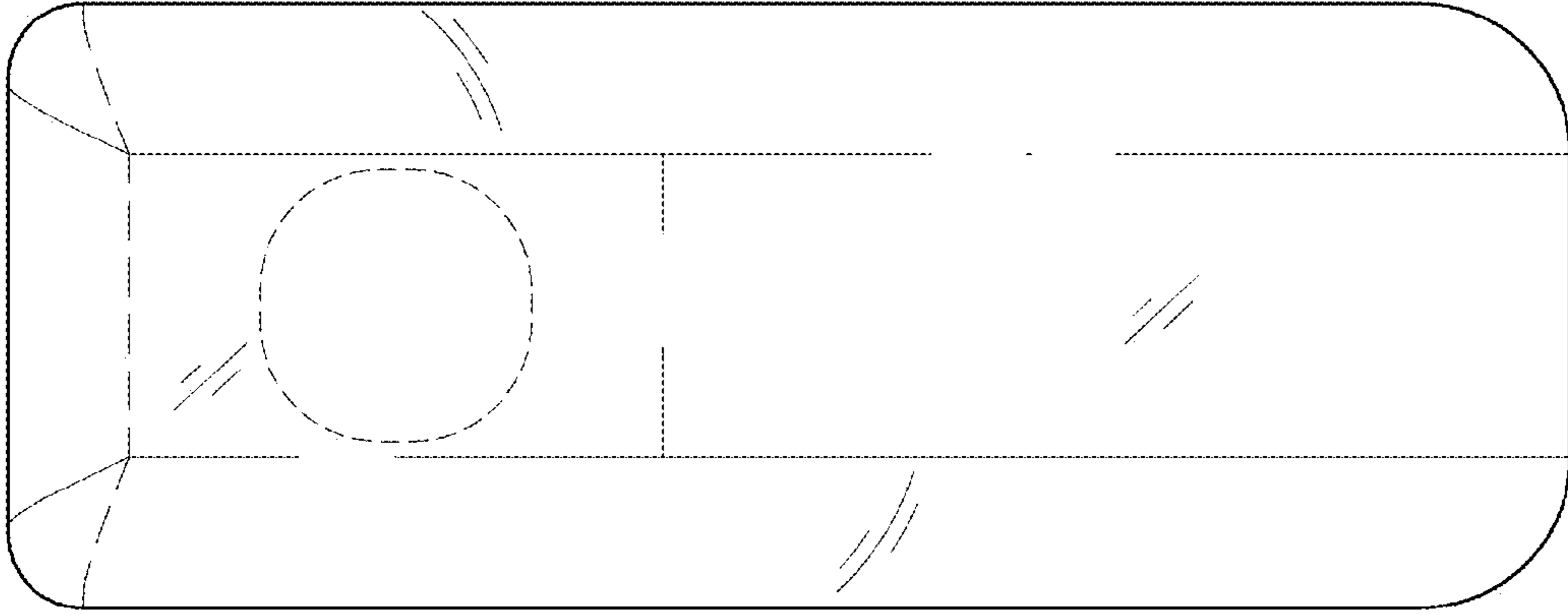


FIG. 5

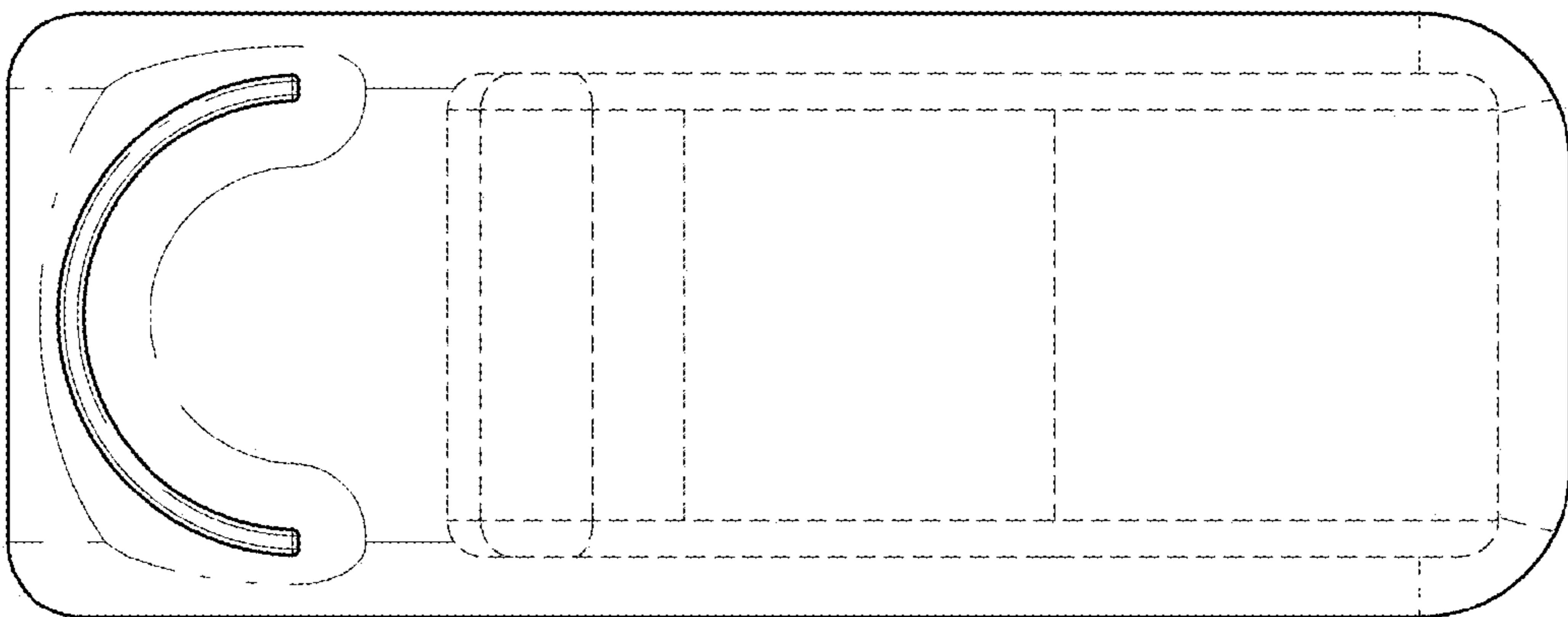


FIG. 6

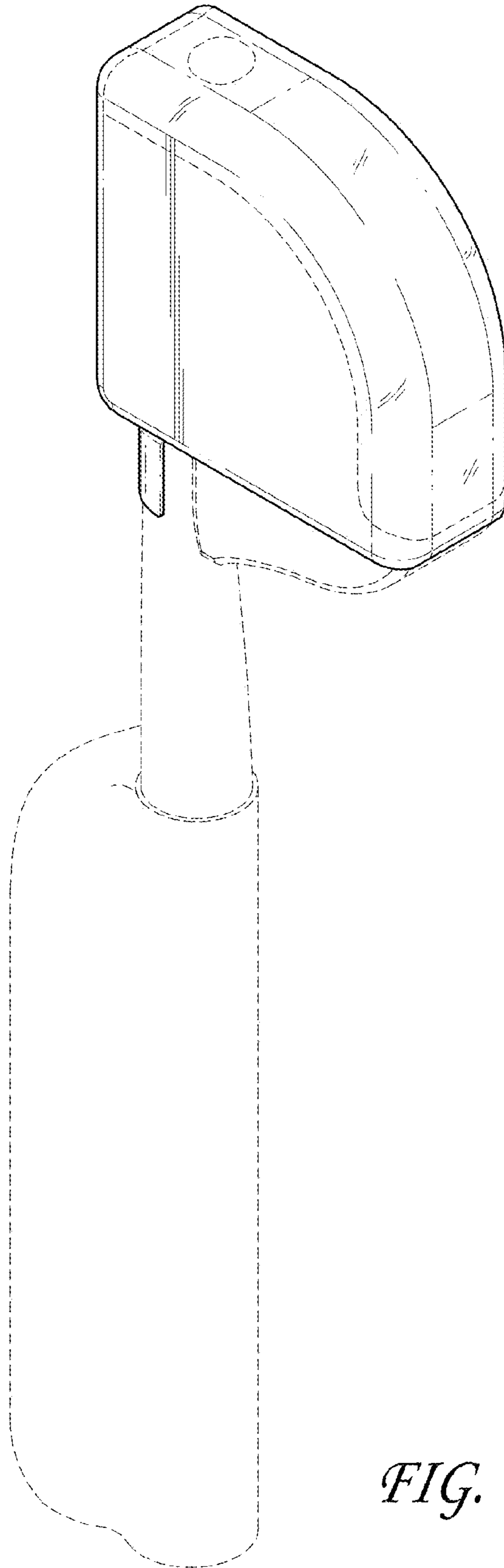


FIG. 7