



US00D765262S

(12) **United States Design Patent**
Greenhouse

(10) **Patent No.:** **US D765,262 S**

(45) **Date of Patent:** **** Aug. 30, 2016**

(54) **ELEVATED HUB FOR A BACK ROLLER**

(71) Applicant: **Max Greenhouse**, Riverside, CA (US)

(72) Inventor: **Max Greenhouse**, Riverside, CA (US)

(**) Term: **15 Years**

(21) Appl. No.: **29/545,730**

(22) Filed: **Nov. 16, 2015**

(51) **LOC (10) Cl.** **28-03**

(52) **U.S. Cl.**
USPC **D24/211**

(58) **Field of Classification Search**
USPC D24/200, 211, 212, 213, 214, 215;
601/19, 27-32, 46, 48, 52, DIG. 12,
601/DIG. 14, DIG. 15, DIG. 16, DIG. 17, 99,
601/112, 113, 118, 119, 120, 121;
D30/160; D14/218; D11/26
CPC A61H 19/30; A61H 19/32; A61H 19/34;
A61H 19/40; A61H 19/44; A61H 19/50;
A61H 19/00; A61H 2201/0153; A61H
2201/0207; A61H 2201/0263; A61H
2201/0111; A61H 2201/1253; A61H
2205/082; A61H 2205/085; A61H 15/0085;
A61H 15/0092
See application file for complete search history.

(56) **References Cited**

U.S. PATENT DOCUMENTS

4,182,317 A * 1/1980 Ash A61H 31/007
601/107
5,143,056 A * 9/1992 Yih-Jong A61H 15/00
601/118

D357,952 S * 5/1995 Chen D21/684
D586,471 S * 2/2009 Wulf D24/211
D714,952 S 10/2014 Gonglach et al.
8,926,482 B2 * 1/2015 Miller, Jr. A63B 22/20
482/132
D724,751 S * 3/2015 Huang D24/214
D739,900 S 9/2015 Smith

* cited by examiner

Primary Examiner — Sandra Snapp

(74) *Attorney, Agent, or Firm* — Kirk A. Buhler; Buhler & Associates

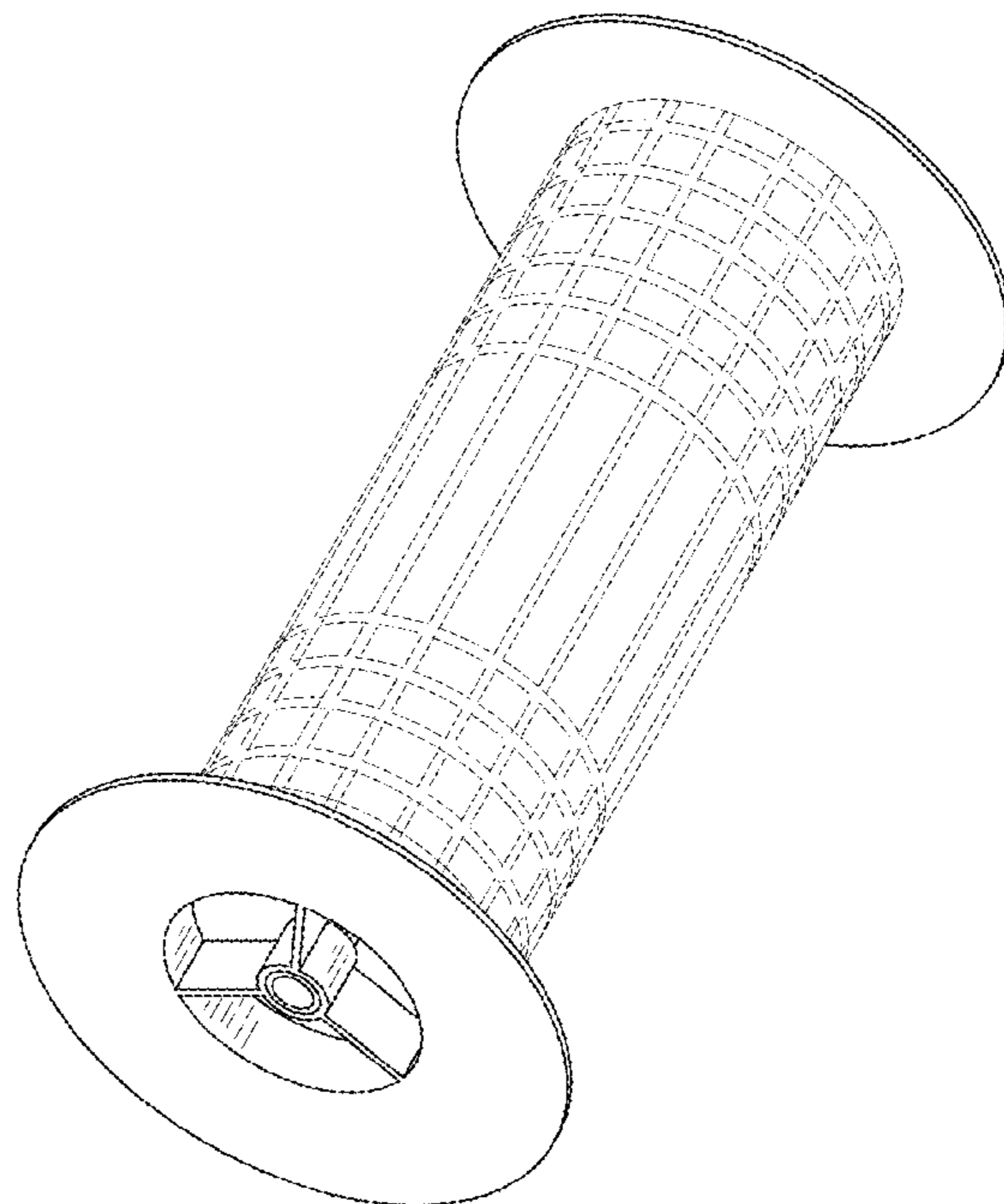
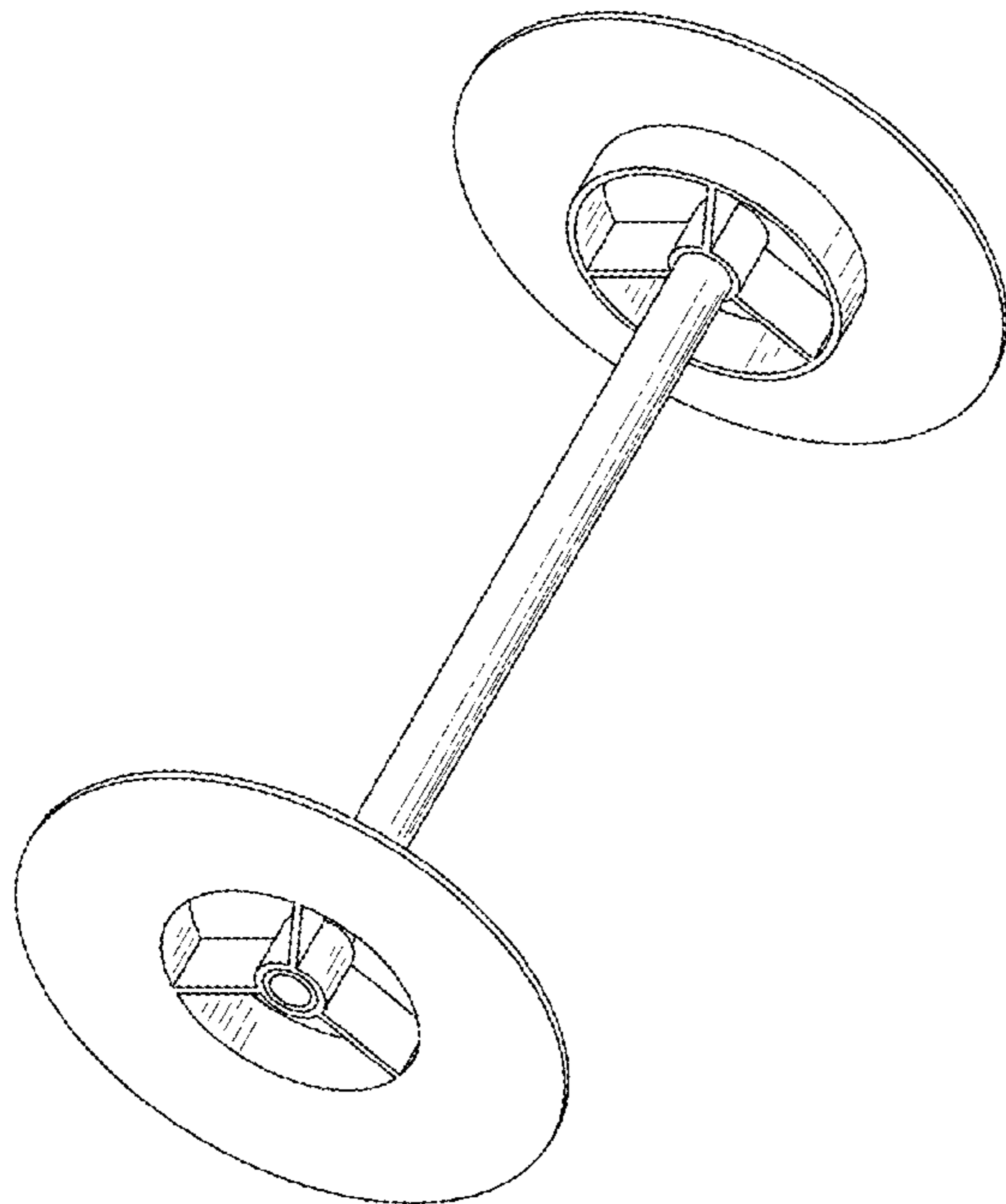
(57) **CLAIM**

The ornamental design for an elevated hub for a back roller, as shown and described.

DESCRIPTION

FIG. 1 is a top perspective view for an elevated hub for a back roller showing my new design;
FIG. 2 is a front side view, the back side view being a mirror image thereof;
FIG. 3 is a right side view, the left side view being a mirror image thereof;
FIG. 4 is a top plan view, the bottom plan view being a mirror image thereof;
FIG. 5 is an exploded view thereof;
FIG. 6 is an top perspective view shown in an environment of use; and,
FIG. 7 is a top perspective view with alternate hubs having skinned ends.
The broken lines in FIG. 6 depict environmental subject matter of a back roller used with the invention and forms no part of the claimed design.

1 Claim, 7 Drawing Sheets



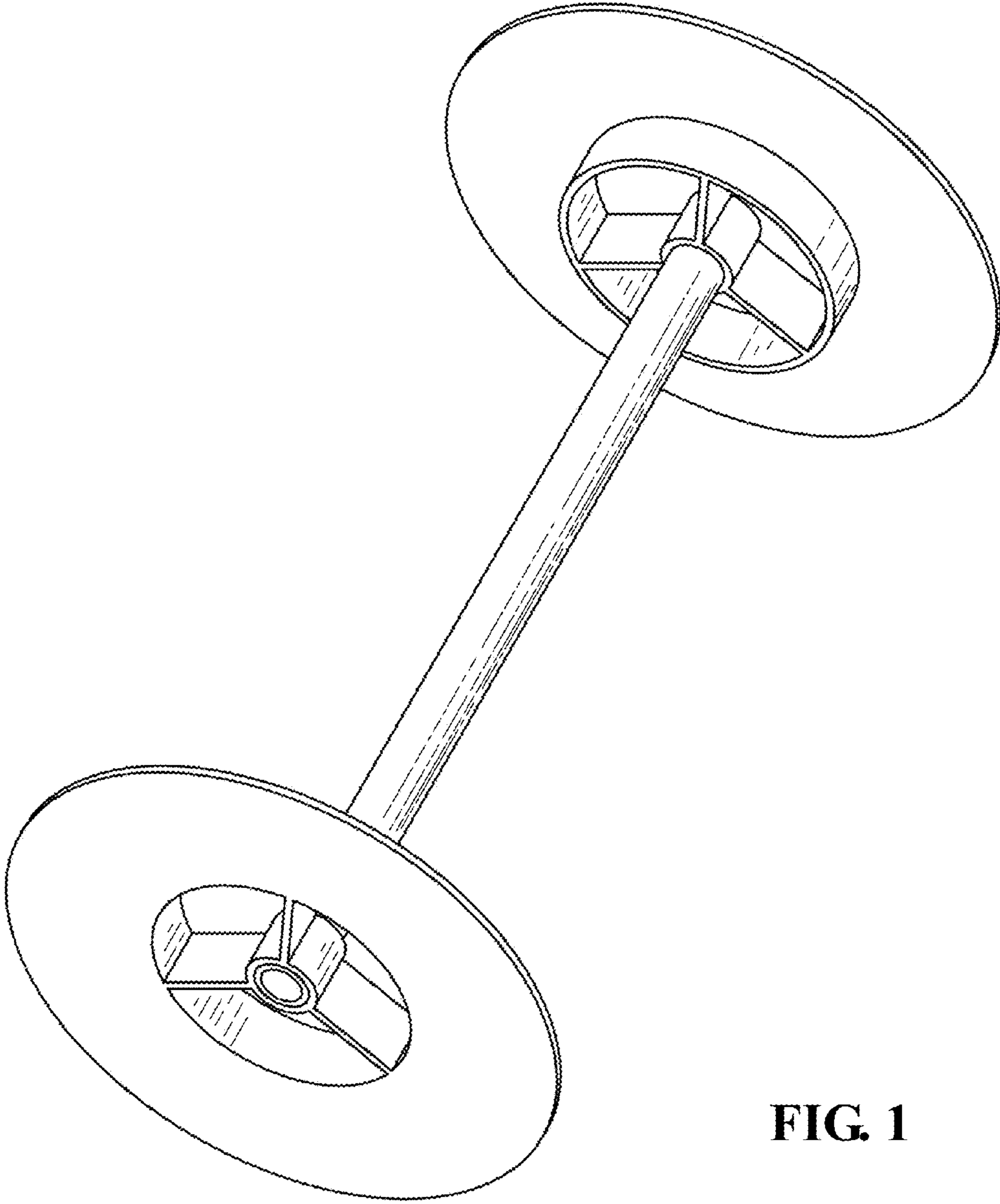


FIG. 1

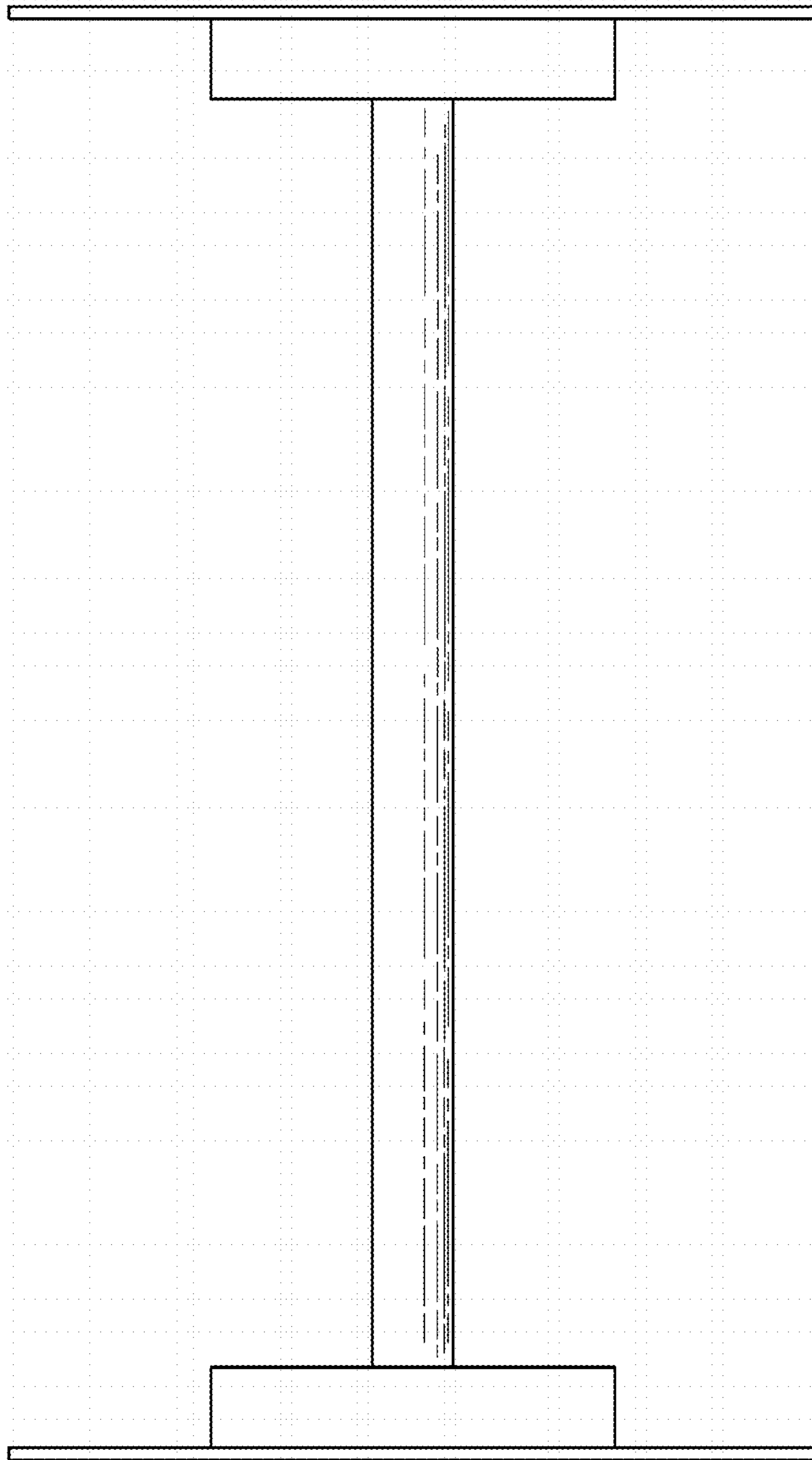


FIG. 2

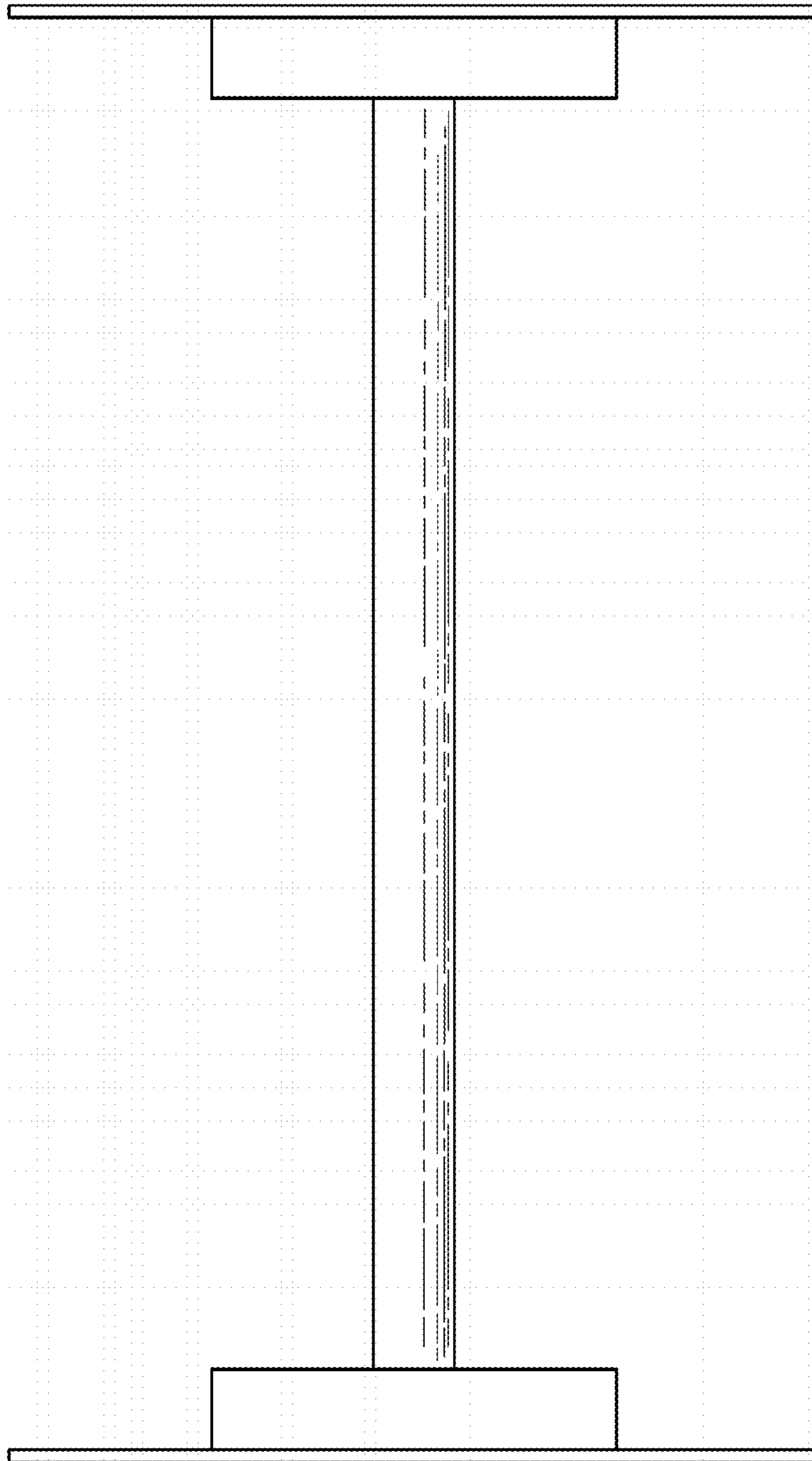


FIG. 3

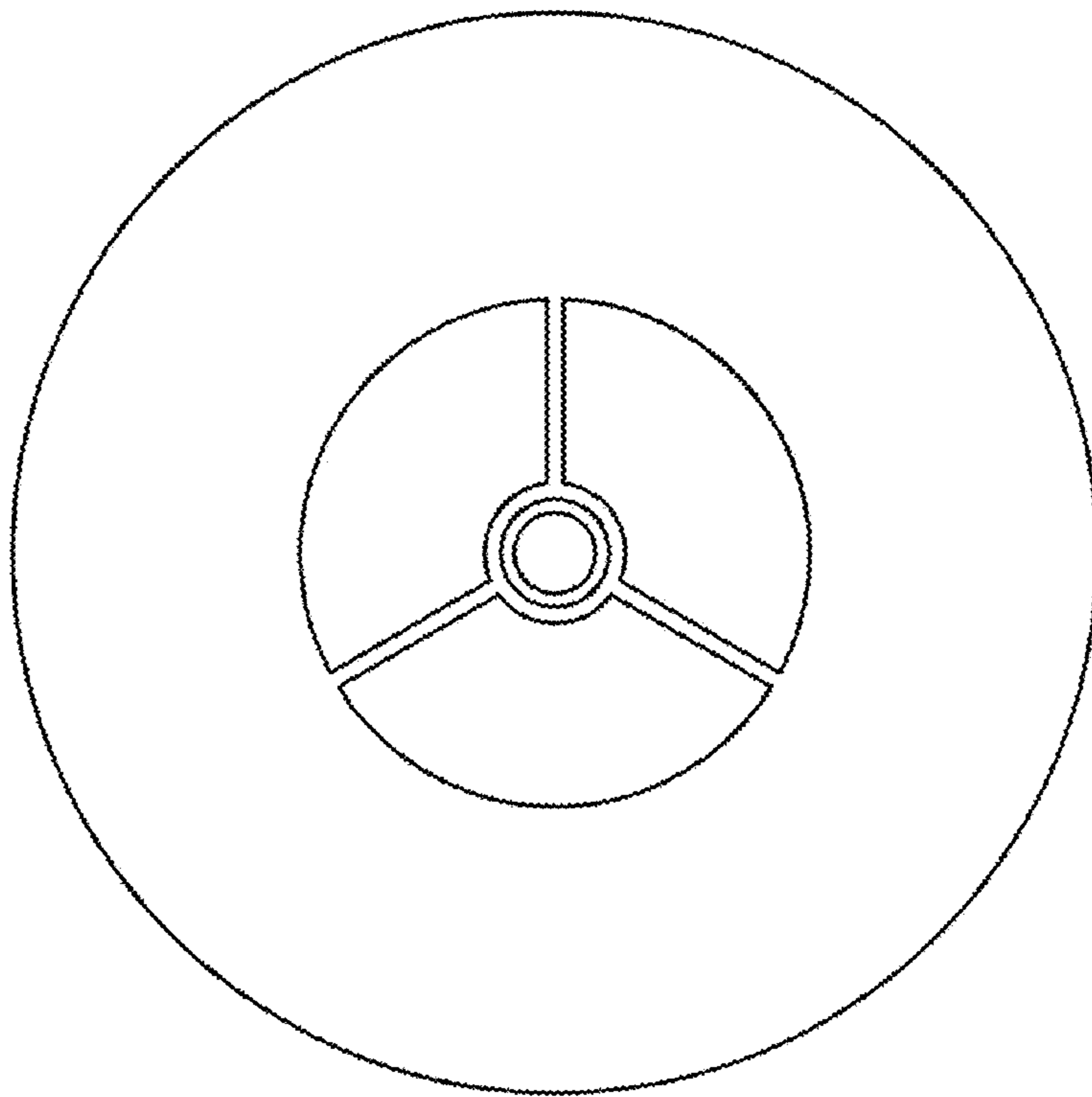


FIG. 4

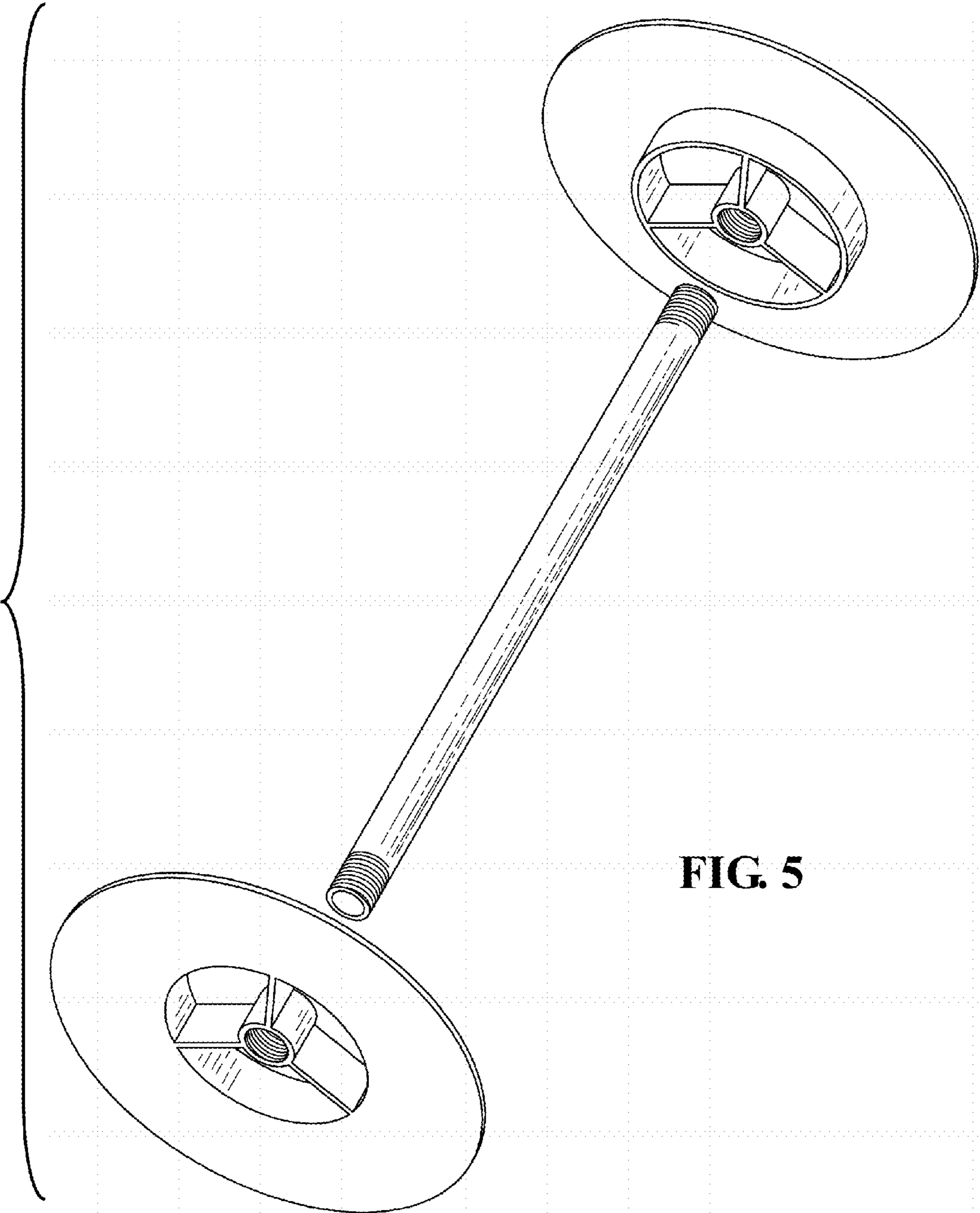


FIG. 5

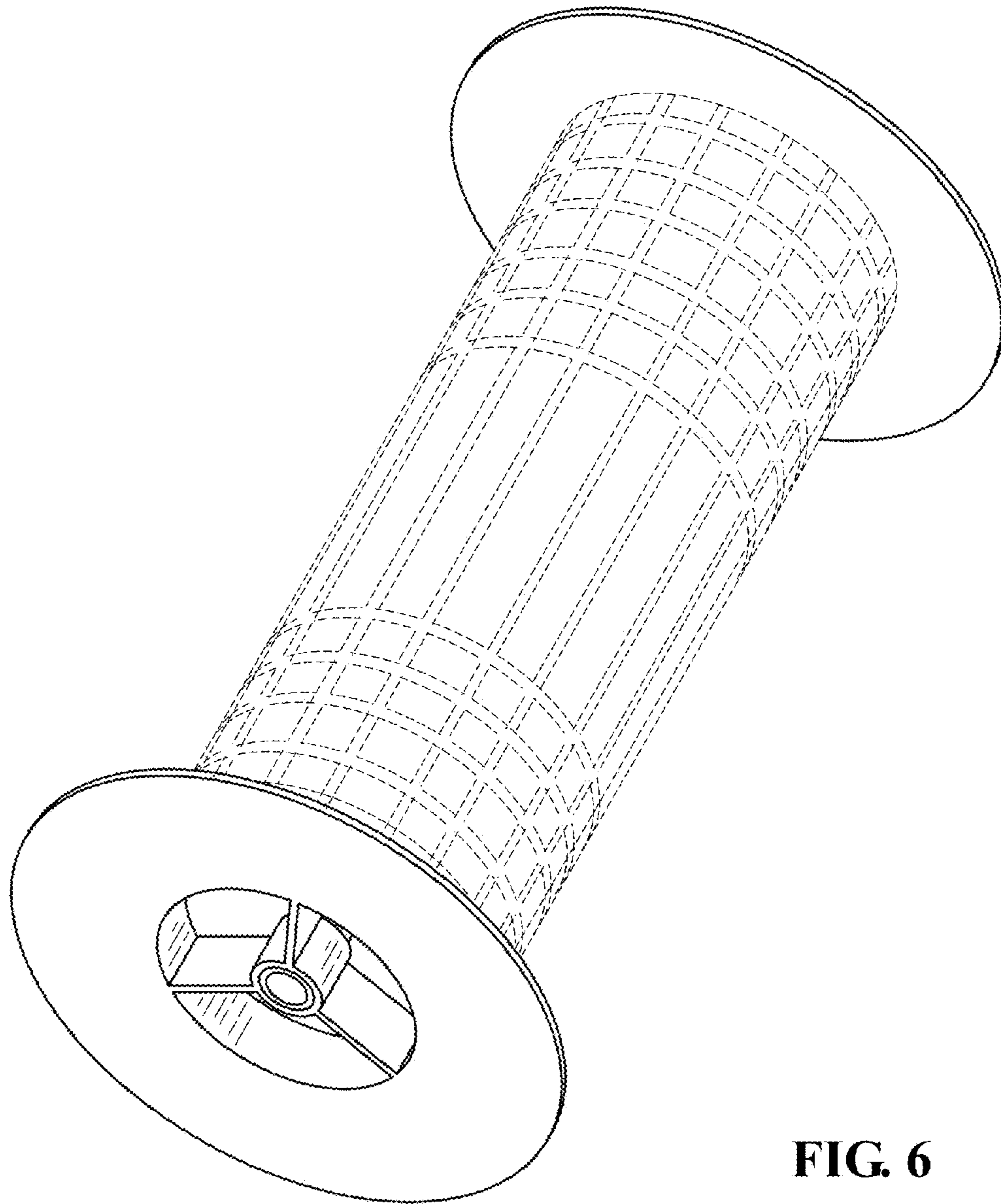


FIG. 6

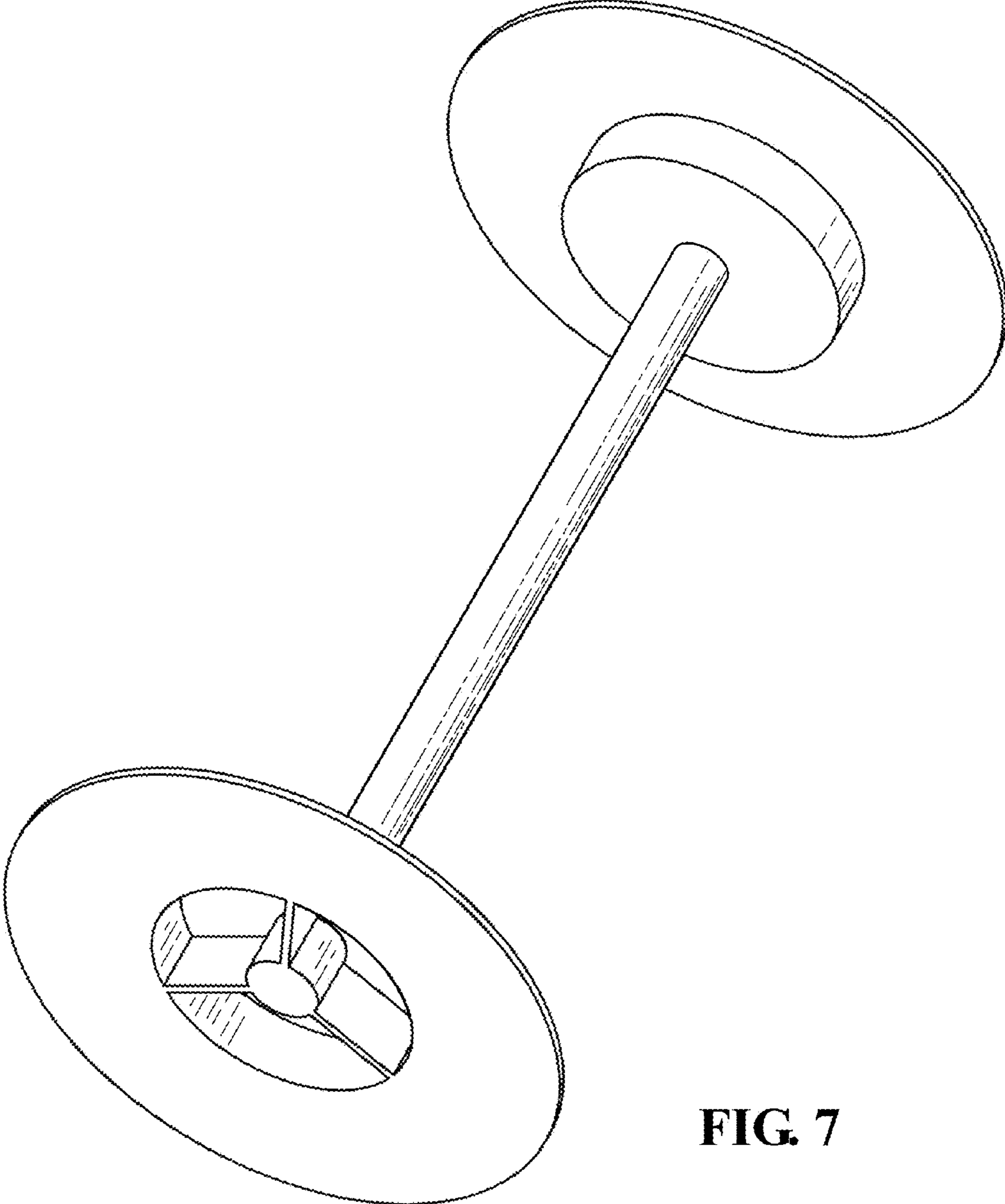


FIG. 7