



US00D765260S

(12) **United States Design Patent** (10) **Patent No.:** **US D765,260 S**  
**Sparr** (45) **Date of Patent:** **\*\* \*Aug. 30, 2016**

(54) **BACK SLEEP BLOCKER**  
(71) Applicant: **Jennifer Sparr**, San Antonio, TX (US)  
(72) Inventor: **Jennifer Sparr**, San Antonio, TX (US)  
(\* ) Notice: This patent is subject to a terminal disclaimer.  
(\*\*) Term: **14 Years**  
(21) Appl. No.: **29/495,716**  
(22) Filed: **Jul. 3, 2014**  
(51) **LOC (10) Cl.** ..... **24-04**  
(52) **U.S. Cl.**  
USPC ..... **D24/190**  
(58) **Field of Classification Search**  
USPC ..... D24/155, 169, 188-190, 200, 211, 212;  
D8/310, 374; D29/121.1; D32/61;  
D21/662  
CPC ..... A47G 9/10; A61F 5/56; A47C 20/027;  
A47C 20/021; A47C 20/023; A47C 20/025;  
A41B 13/065; Y10S 602/902; A61B 5/4818;  
A61G 7/065  
See application file for complete search history.

(56) **References Cited**

**U.S. PATENT DOCUMENTS**

876,491 A	1/1908	Rohwer	
898,379 A	9/1908	Liebhardt	
1,194,200 A	8/1916	Lowder	
2,304,235 A	12/1942	Boots	
2,952,856 A	9/1960	Ruff	
3,485,241 A	12/1969	Polley	
D232,005 S *	7/1974	Farling	D24/155
D234,059 S *	1/1975	Popp	D13/183
3,924,282 A	12/1975	Bond	
D249,957 S *	10/1978	Eicher	D24/155
4,118,813 A	10/1978	Armstrong	
4,349,925 A	9/1982	Macomber	
D276,463 S *	11/1984	Hamm	D24/155
D277,607 S *	2/1985	Himeno	D24/155
D280,664 S *	9/1985	Ishida	D24/211

4,744,117 A	5/1988	Bond	
5,036,865 A	8/1991	Keaton	
5,040,546 A	8/1991	Deluhery	
5,165,130 A	11/1992	Wendling	
5,357,981 A	10/1994	Eilam et al.	
D352,377 S	11/1994	Furman	
5,383,475 A	1/1995	Austin	
D362,331 S	9/1995	Berger, II	
5,446,926 A *	9/1995	Bourque	A63B 71/12 2/22
5,752,524 A	5/1998	Corcoran	
D398,139 S	9/1998	Galgon	
D403,428 S *	12/1998	Russo	D24/200

(Continued)

*Primary Examiner* — George D Kirschbaum  
*Assistant Examiner* — Jennifer Watkins  
(74) *Attorney, Agent, or Firm* — William H. Quirk; Jesse L. Frizell; Rosenthal Pauerstein Sandoloski Agather LLP

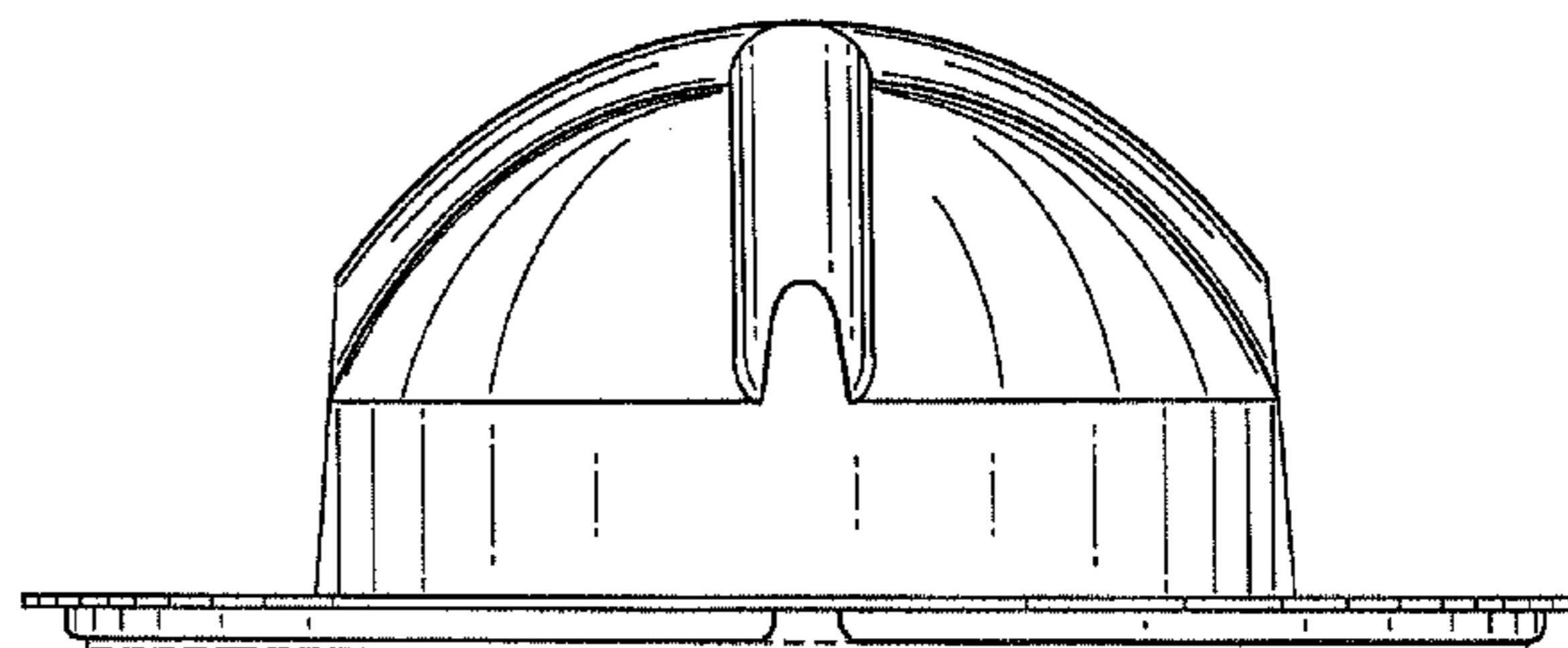
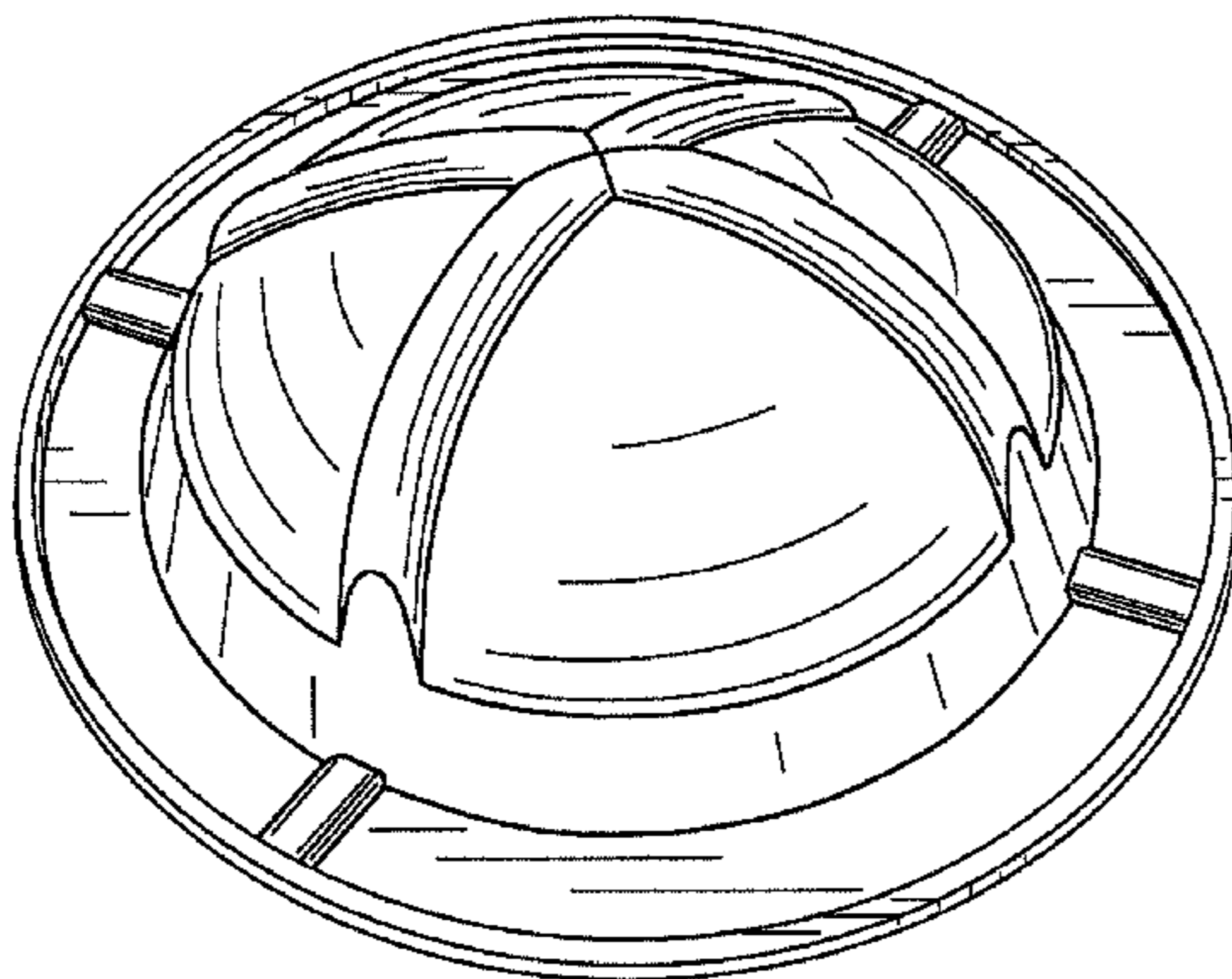
(57) **CLAIM**

I claim the ornamental design for a back sleep blocker, as shown and described.

**DESCRIPTION**

FIG. 1 is a perspective view of the back sleep blocker in accordance with the present design.  
FIG. 2 is a top plan view of the back sleep blocker of FIG. 1.  
FIG. 3 is a side elevational view of the back sleep blocker of FIG. 1, it being understood that the opposite side view (not shown) is a substantial mirror image of the side view as shown.  
FIG. 4 is a side elevational view of the back sleep blocker of FIG. 1, shown in a vertical orientation, it being understood that the opposite side view (not shown) is a substantial mirror image of the side view as shown; and,  
FIG. 5 is a bottom plan view of the back sleep blocker of FIG. 1.  
The broken lines in the drawings are for the purpose of illustrating portions of the back sleep blocker that form no part of the claim.

**1 Claim, 3 Drawing Sheets**



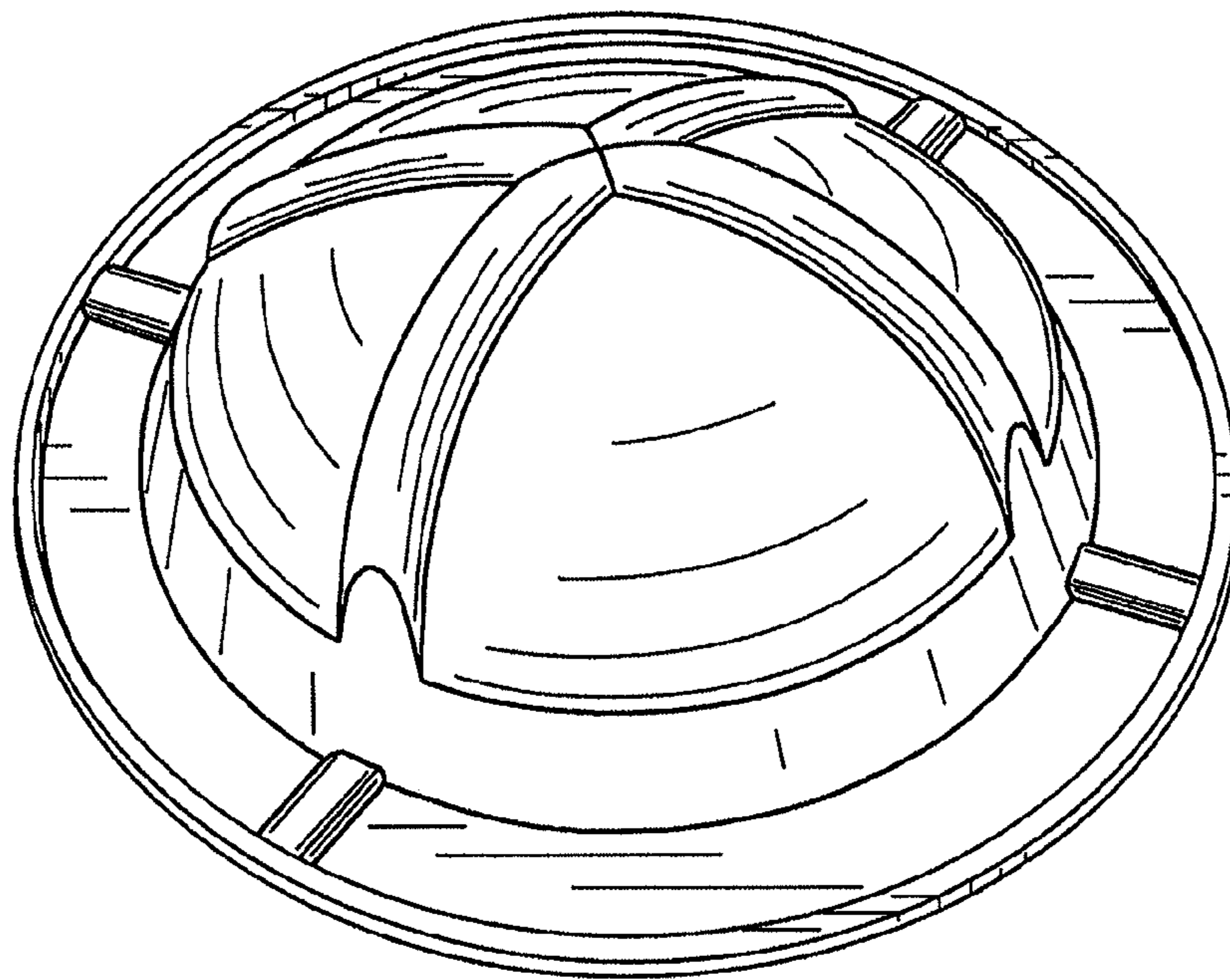
(56)

References Cited

U.S. PATENT DOCUMENTS

5,893,365	A	4/1999	Anderson						
6,048,325	A *	4/2000	Kendall	.....	A47B 21/0371				
					248/118				
6,289,893	B1	9/2001	Levitt						
6,357,444	B1	3/2002	Parker						
D477,793	S *	7/2003	Udolph	.....	D11/200				
6,698,432	B2	3/2004	Ek						
6,886,565	B2 *	5/2005	Morris	.....	A61F 9/04				
					128/846				
6,926,008	B1	8/2005	Levitt						
7,055,526	B2	6/2006	Barakat et al.						
7,134,435	B2	11/2006	Scott						
7,469,434	B2	12/2008	Drucker						
8,118,030	B1	2/2012	Bugeja						
8,429,775	B2	4/2013	North						
D687,611	S *	8/2013	MacLean	.....	D32/61				
D706,941	S *	6/2014	Vekios	.....	D24/190				
D732,182	S *	6/2015	Viner	.....	D24/212				
2005/0178392	A1	8/2005	Tinsley						
2008/0163428	A1	7/2008	Groteke et al.						
2008/0256710	A1	10/2008	Ho						
2009/0038077	A1	2/2009	Han et al.						
2009/0229618	A1	9/2009	Sotelo, Jr. et al.						
2010/0199436	A1	8/2010	Schultz						
2010/0319131	A1	12/2010	North						
2012/0059405	A1 *	3/2012	Reynolds	.....	A61H 23/02				
					606/204				
2012/0167895	A1	7/2012	Tewari et al.						

\* cited by examiner



*Fig. 1*



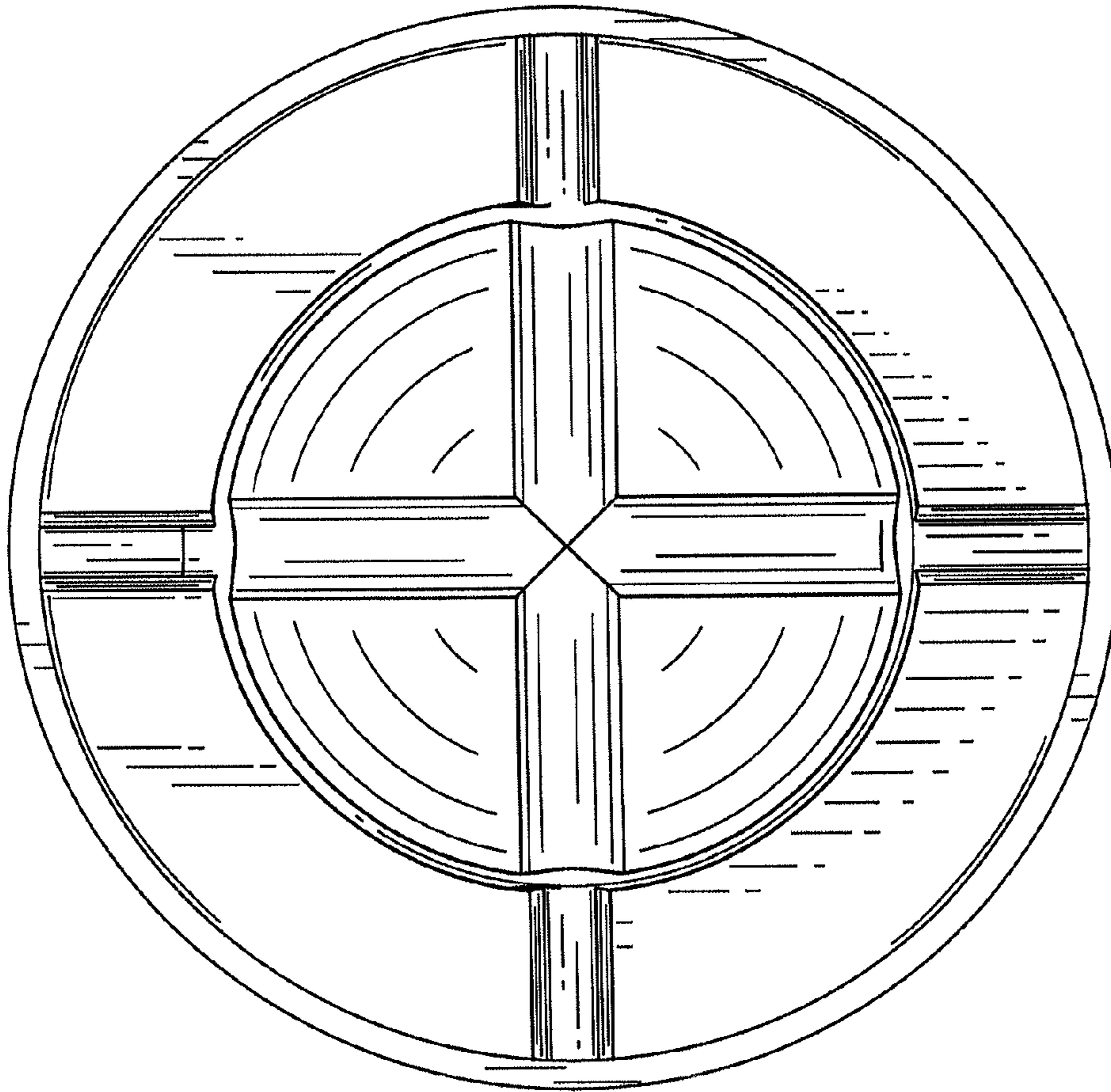


Fig. 2

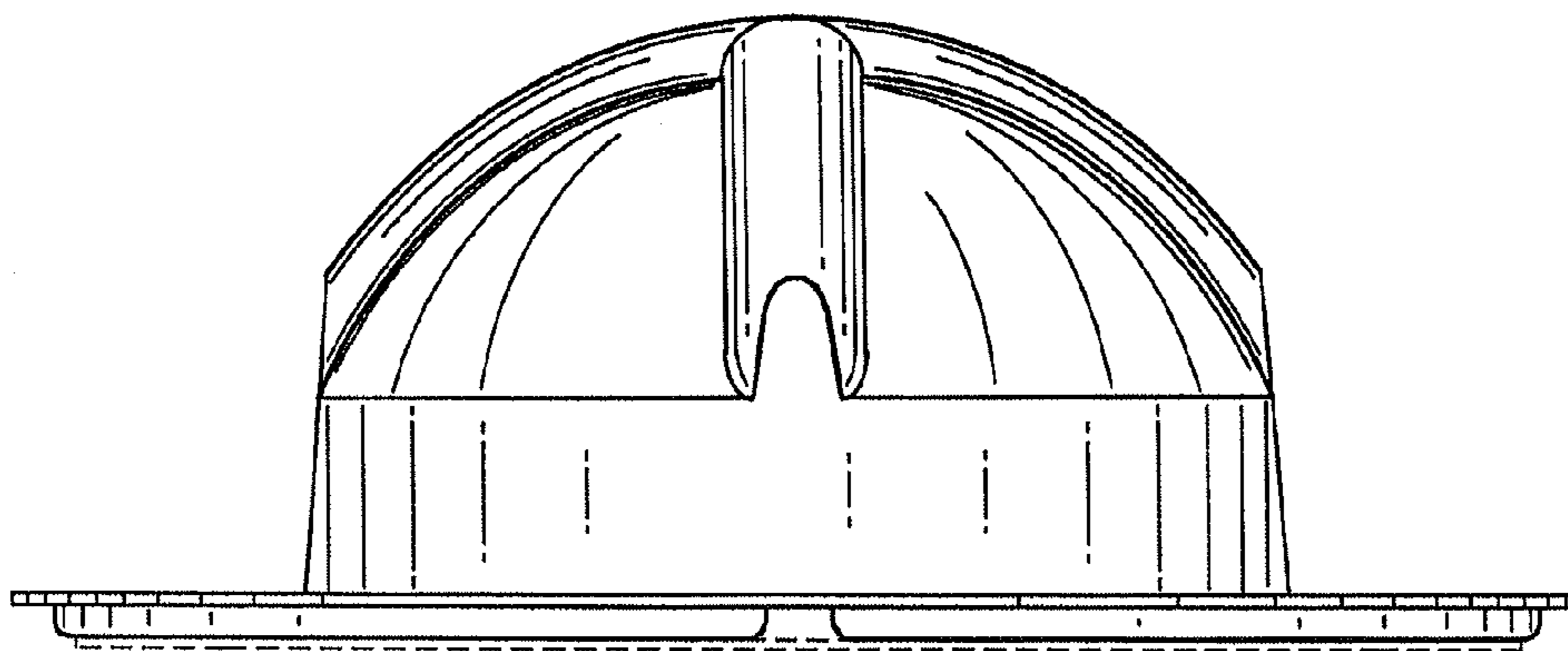
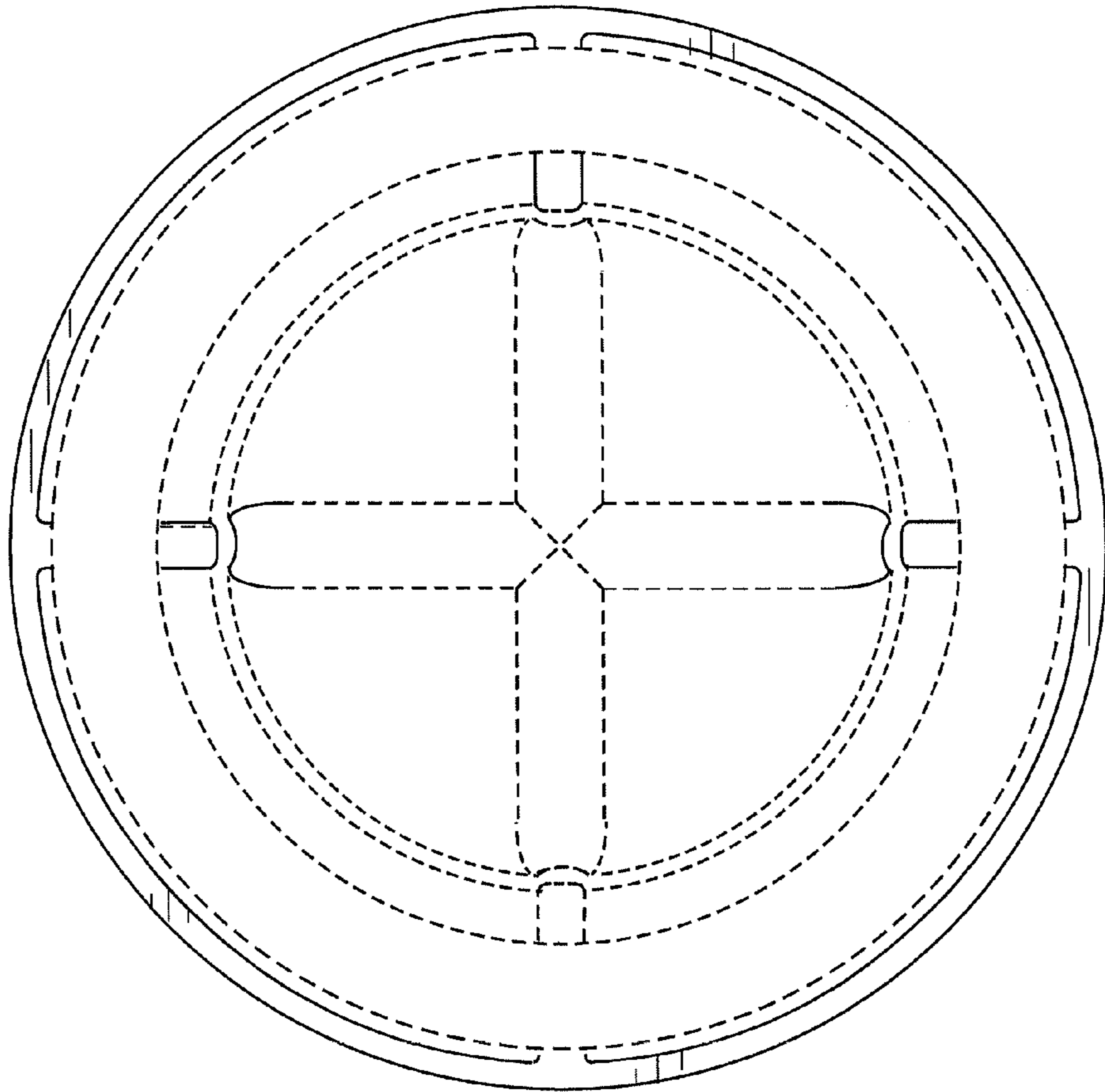
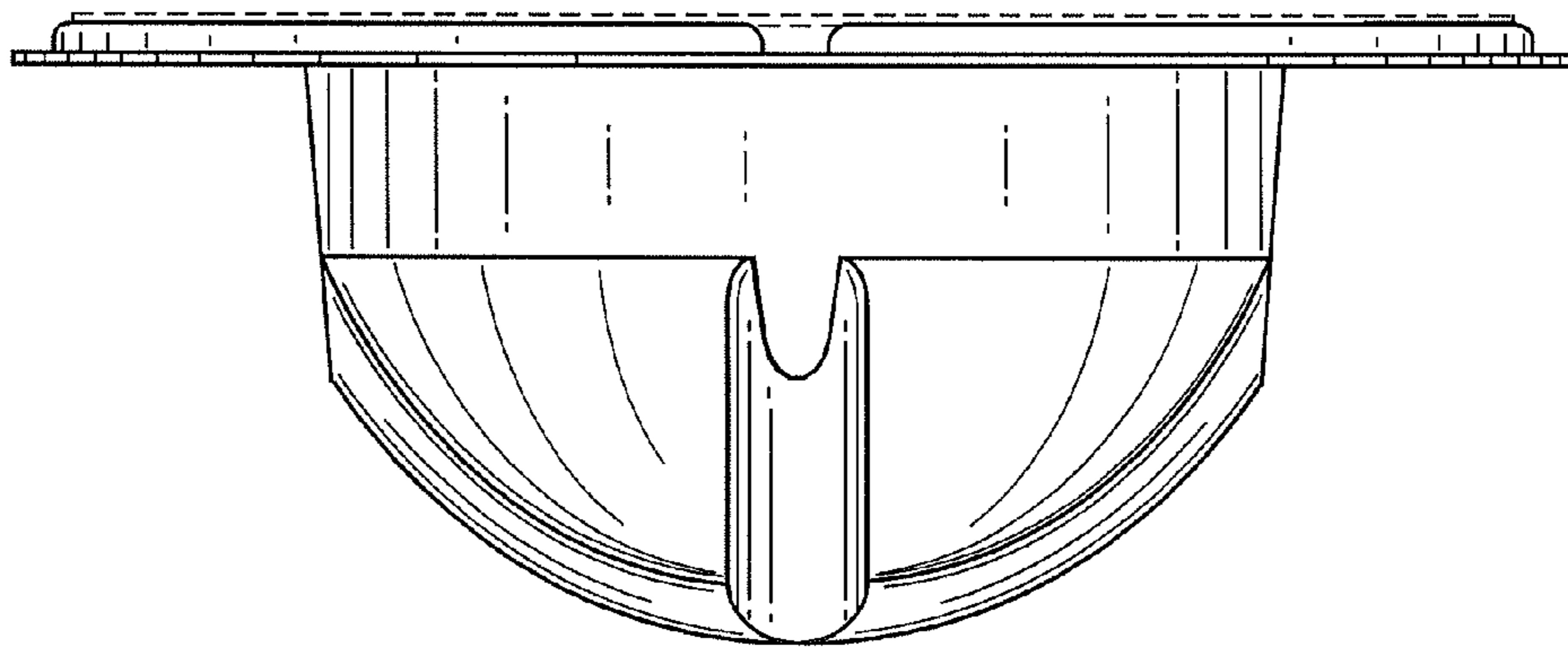


Fig. 3



*Fig. 5*



*Fig. 4*