



US00D765258S

(12) **United States Design Patent** (10) **Patent No.:** **US D765,258 S**
Marzynski (45) **Date of Patent:** **** Aug. 30, 2016**

- (54) **BIOMEDICAL MULTIFUNCTION TESTER**
- (71) Applicant: **Fluke Corporation**, Everett, WA (US)
- (72) Inventor: **Matthew Marzynski**, Seattle, WA (US)
- (73) Assignee: **Fluke Corporation**, Everett, WA (US)
- (**) Term: **15 Years**
- (21) Appl. No.: **29/545,049**
- (22) Filed: **Nov. 9, 2015**

Related U.S. Application Data

- (62) Division of application No. 29/472,330, filed on Nov. 11, 2013, now Pat. No. Des. 745,172, which is a division of application No. 29/406,934, filed on Nov. 21, 2011, now Pat. No. Des. 698,447.
- (51) **LOC (10) Cl.** **24-02**
- (52) **U.S. Cl.**
USPC **D24/186**
- (58) **Field of Classification Search**
USPC D24/164-167, 169, 170, 185-187, 216, D24/231, 210, 144, 138, 200; 600/300, 301, 600/368, 372, 490; D10/75, 78, 81, 46; D14/124; 434/224, 379; 128/901-904
CPC G01R 1/22; G01R 1/04; G01R 15/02; G01R 15/181; G01R 15/186; G01R 15/12; G01R 15/125; G01D 11/24; G06F 17/00
See application file for complete search history.

(56) **References Cited**

U.S. PATENT DOCUMENTS

D258,727 S	3/1981	Swinstead
D274,043 S	5/1984	Paine
D289,504 S	4/1987	McCain et al.
D311,700 S	10/1990	Nelson

D332,833 S	1/1993	Lauks et al.	
D343,799 S	2/1994	Spinks et al.	
D369,563 S	5/1996	Meehan	
D390,666 S	2/1998	Lagerlöf	
D392,043 S	* 3/1998	Cooper	D24/186
D396,108 S	7/1998	Garito et al.	
D412,991 S	8/1999	DiVito et al.	
D447,569 S	9/2001	Baily et al.	
D460,371 S	* 7/2002	Wrisley	D10/78
D490,516 S	* 5/2004	Takahashi	D24/186
D494,077 S	8/2004	Melenotte	
D535,031 S	1/2007	Barrett et al.	
D548,841 S	8/2007	Brownell et al.	
D551,350 S	* 9/2007	Lorimer	D24/186
D571,472 S	6/2008	Forlenza et al.	
D573,496 S	7/2008	Wakamatsu et al.	
D582,044 S	12/2008	Hacker et al.	
D584,812 S	1/2009	Ries	
D597,216 S	7/2009	McGuigan et al.	
D598,098 S	8/2009	Tanaka	
D598,100 S	* 8/2009	Tanaka	D24/144
D600,814 S	9/2009	Lathrop et al.	
D607,105 S	* 12/2009	Otoha	D10/46

(Continued)

Primary Examiner — T. Chase Nelson

Assistant Examiner — Mark Cavanna

(74) *Attorney, Agent, or Firm* — Seed IP Law Group PLLC

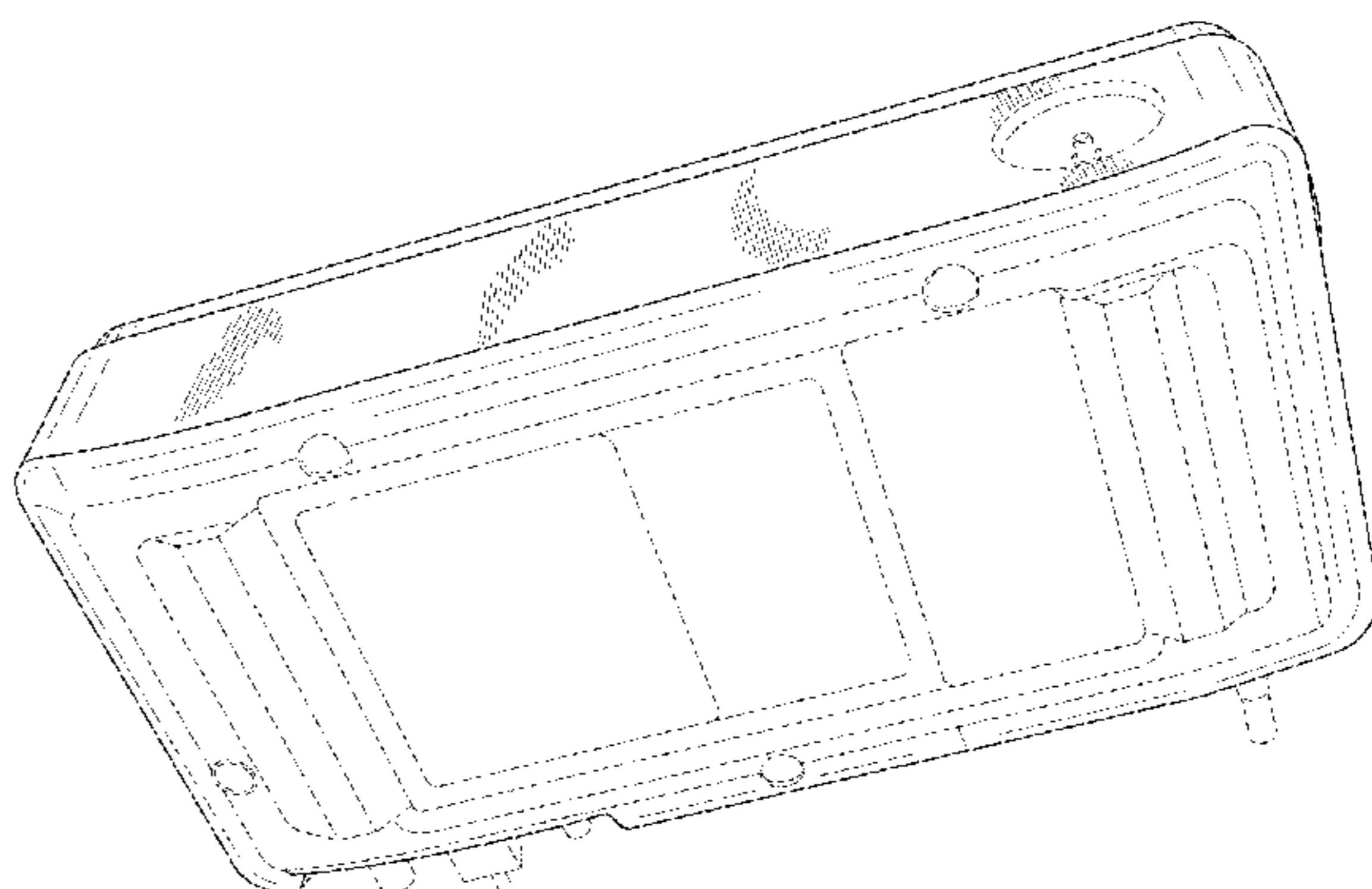
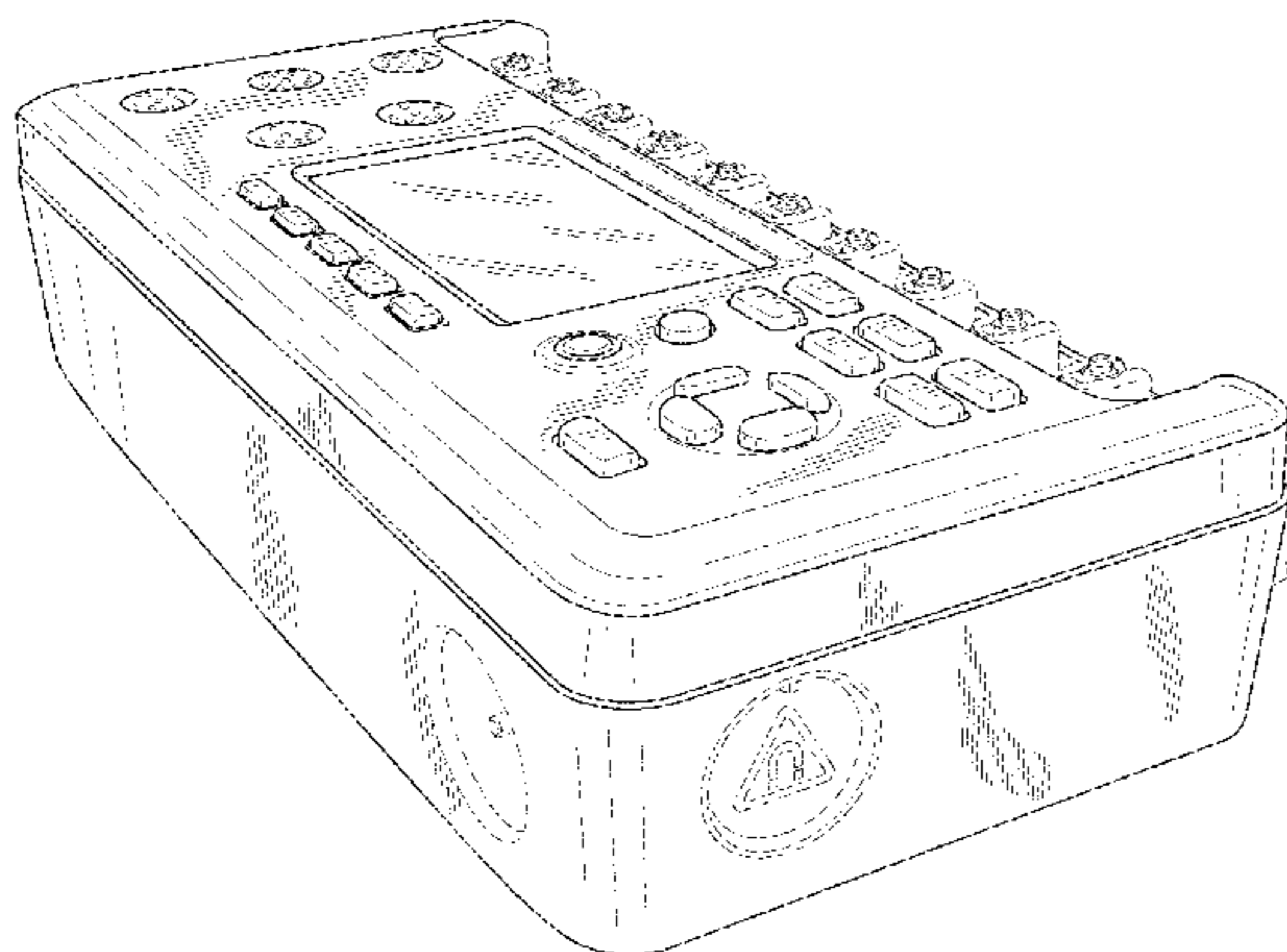
(57) **CLAIM**

The ornamental design for a biomedical multifunction tester, as shown and described.

DESCRIPTION

FIG. 1 is a front elevation view of a biomedical multifunction tester showing my new design; FIG. 2 is a lower front right perspective view thereof; FIG. 3 is a lower rear perspective view thereof; and, FIG. 4 is a lower rear right perspective view thereof. The broken lines shown in the figures illustrate environment and form no part of the claimed design.

1 Claim, 4 Drawing Sheets



(56)

References Cited

U.S. PATENT DOCUMENTS

D608,452 S *	1/2010	Huang	D24/186	D640,378 S	6/2011	Okawa et al.	
D626,224 S	10/2010	Amano et al.		D647,412 S	10/2011	Rha	
D638,545 S	5/2011	Okawa et al.		D678,531 S	3/2013	Patil	
D640,377 S *	6/2011	Amano	D24/144	D704,839 S *	5/2014	Juzkiw	D24/170
				D712,031 S *	8/2014	Feng	D24/144
				D733,900 S *	7/2015	Hagege	D24/200

* cited by examiner

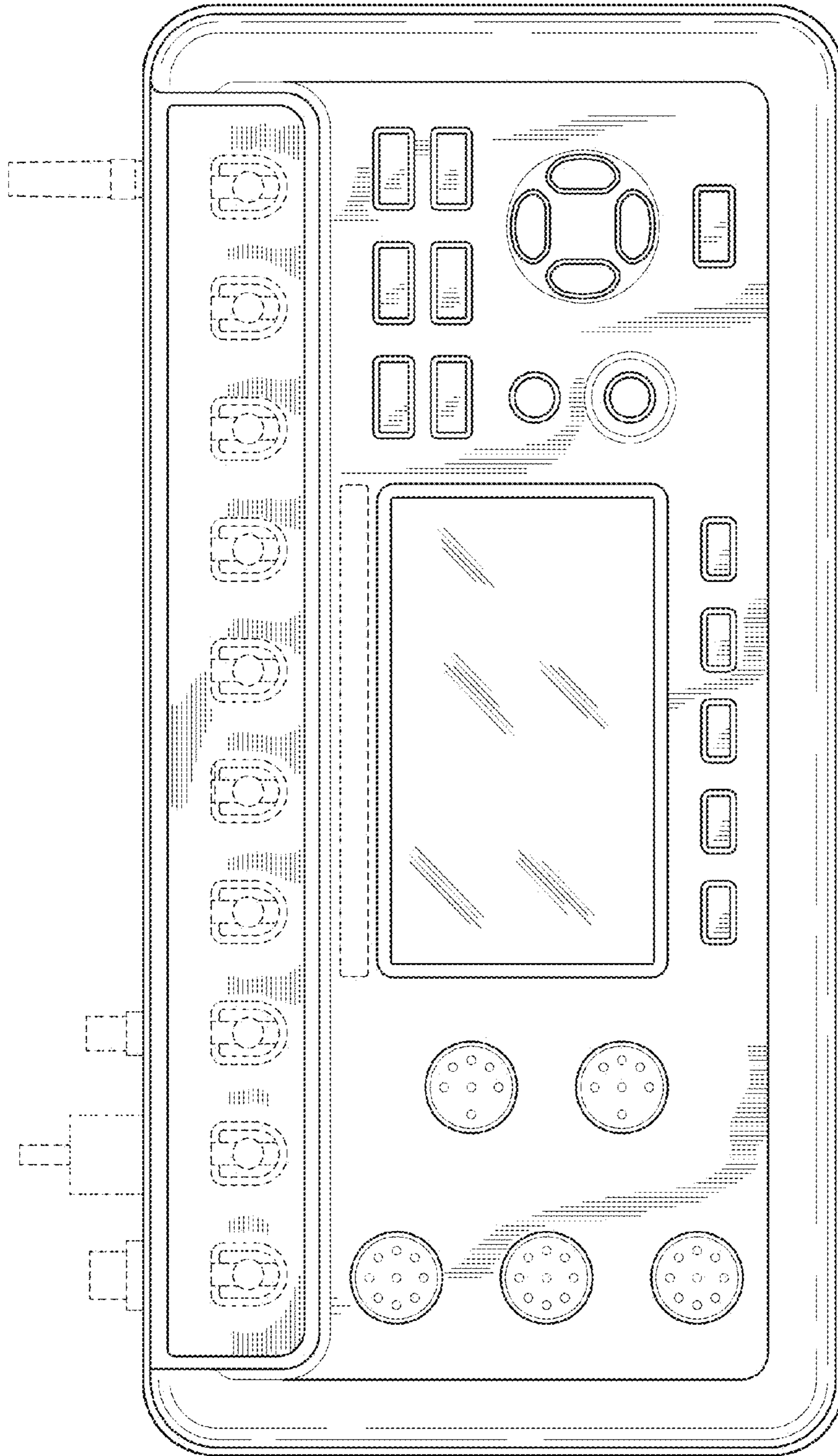


FIG. 1

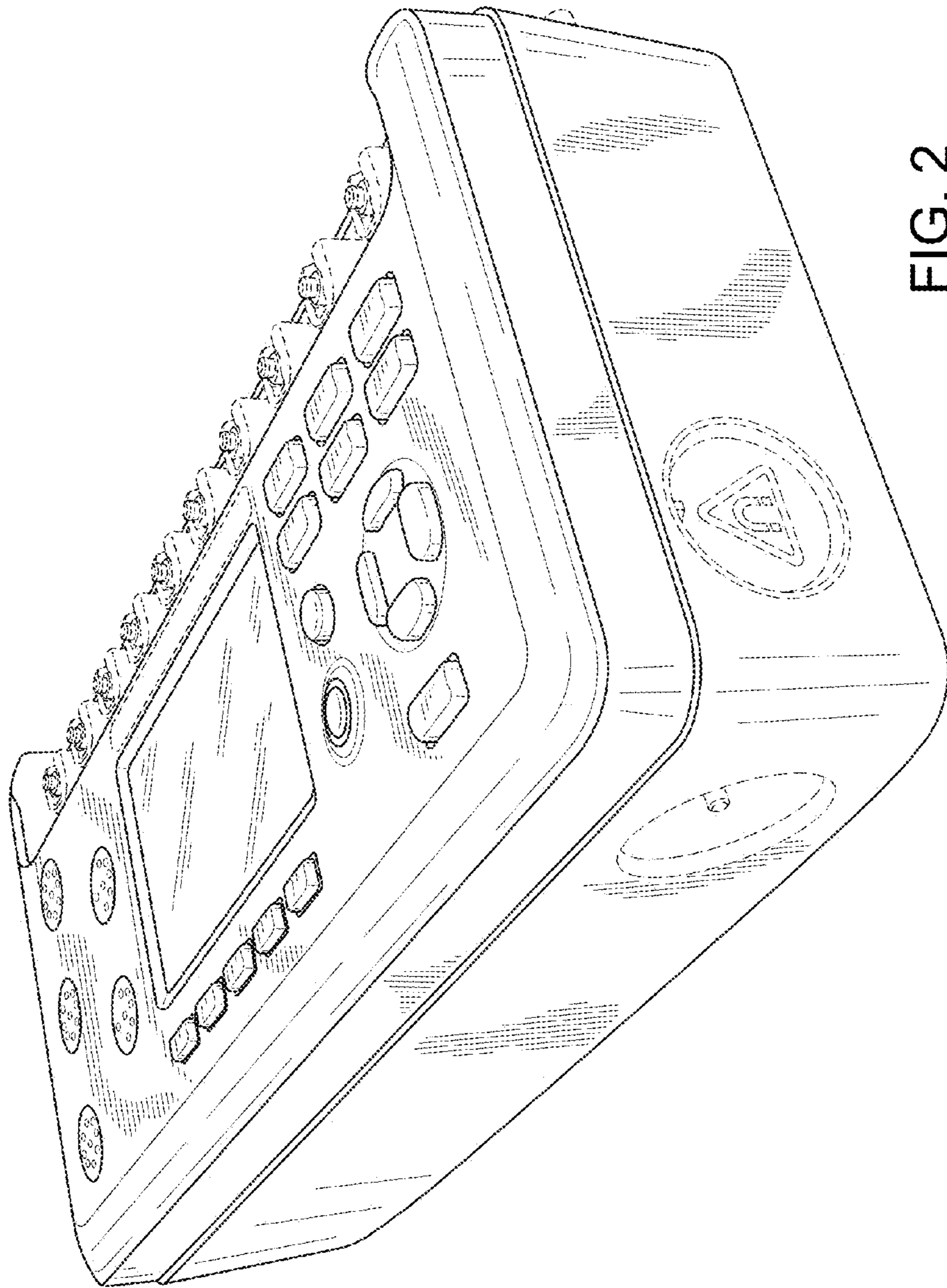


FIG. 2

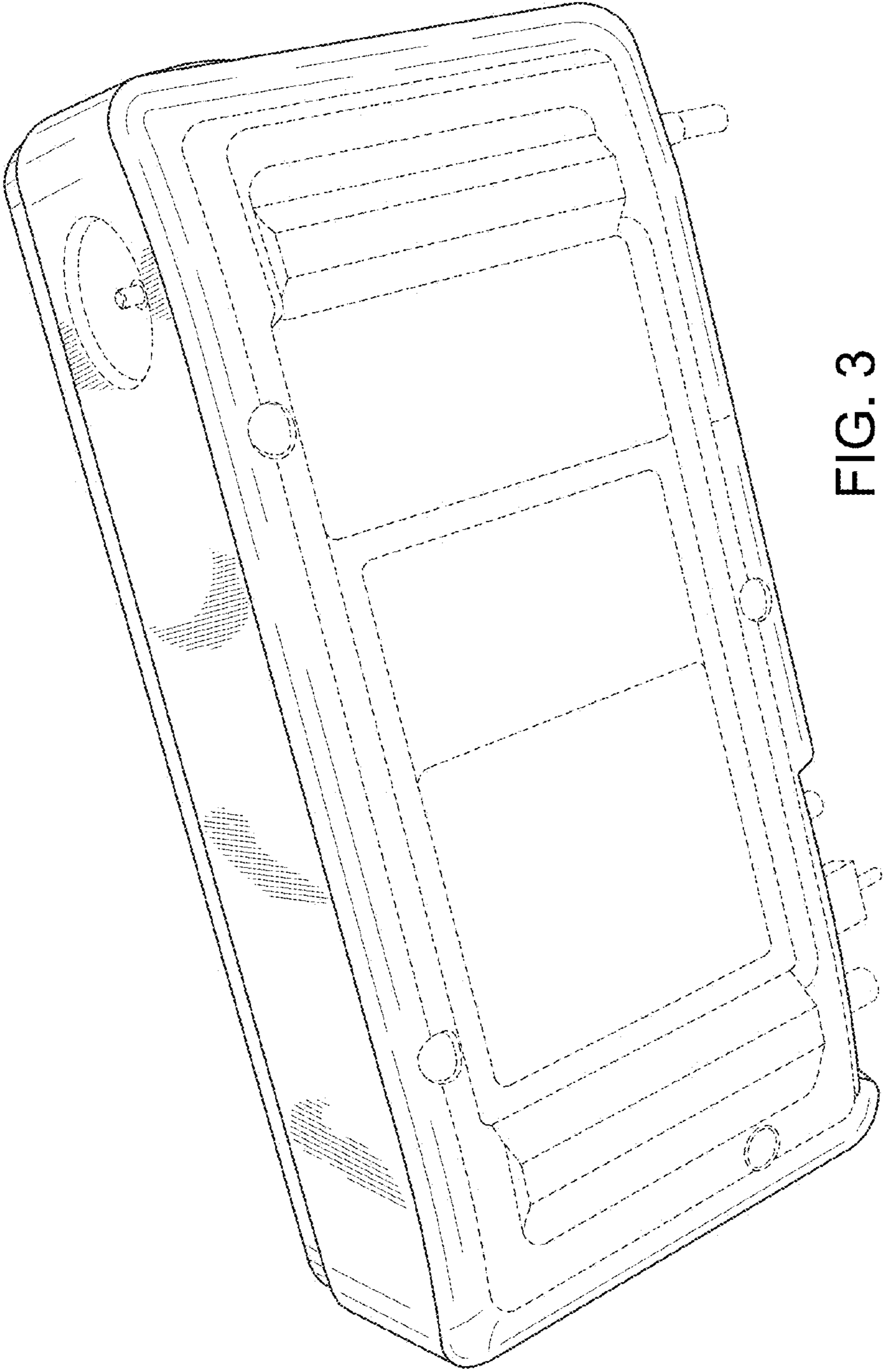


FIG. 3

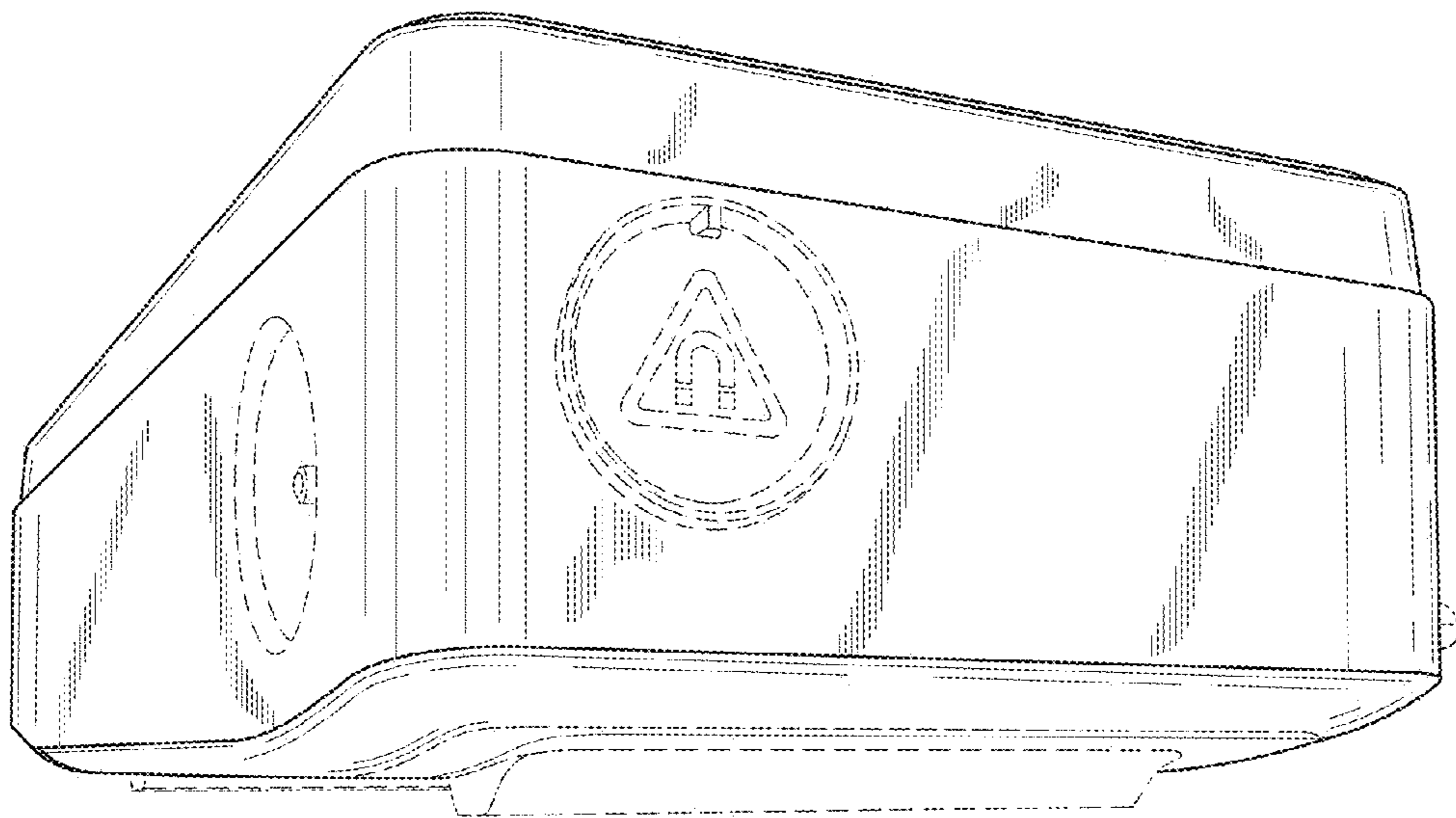


FIG. 4