



US00D765257S

(12) **United States Design Patent**
Marzynski

(10) **Patent No.:** **US D765,257 S**

(45) **Date of Patent:** **** Aug. 30, 2016**

- (54) **BIOMEDICAL MULTIFUNCTION TESTER**
- (71) Applicant: **Fluke Corporation**, Seattle, WA (US)
- (72) Inventor: **Matthew Marzynski**, Seattle, WA (US)
- (73) Assignee: **Fluke Corporation**, Everett, WA (US)
- (**) Term: **15 Years**
- (21) Appl. No.: **29/545,047**
- (22) Filed: **Nov. 9, 2015**

- D332,833 S 1/1993 Lauks et al.
- D369,563 S 5/1996 Meehan
- D390,666 S 2/1998 Lagerlöf
- D392,043 S 3/1998 Cooper et al.
- D400,255 S 10/1998 Myers et al.
- D447,569 S 9/2001 Baily et al.
- D481,123 S * 10/2003 Hayamizu D24/144
- D535,031 S 1/2007 Barrett et al.
- D554,266 S 10/2007 Striepe et al.
- D573,496 S 7/2008 Wakamatsu et al.
- D584,812 S 1/2009 Ries
- D584,975 S 1/2009 Haberstroh
- D597,216 S 7/2009 McGuigan et al.

(Continued)

Related U.S. Application Data

- (62) Division of application No. 29/472,442, filed on Nov. 12, 2013, now Pat. No. Des. 745,173, which is a division of application No. 29/409,501, filed on Dec. 23, 2011, now Pat. No. Des. 698,925.
- (51) **LOC (10) Cl.** **24-02**
- (52) **U.S. Cl.**
USPC **D24/186**
- (58) **Field of Classification Search**
USPC D24/164-167, 169, 170, 185-187, 216,
D24/231, 210, 144, 138; 600/300, 301, 368,
600/372, 490; D10/75, 78, 81; D14/124;
434/224, 379; 128/901-904
CPC G01R 1/22; G01R 1/04; G01R 15/181;
G01R 15/186; G01R 15/12; G01R 15/125;
G01D 11/24; G06F 17/00
See application file for complete search history.

Primary Examiner — T. Chase Nelson

Assistant Examiner — Mark Cavanna

(74) *Attorney, Agent, or Firm* — Seed IP Law Group PLLC

(57) **CLAIM**

The ornamental design for a biomedical multifunction tester, as shown and described.

DESCRIPTION

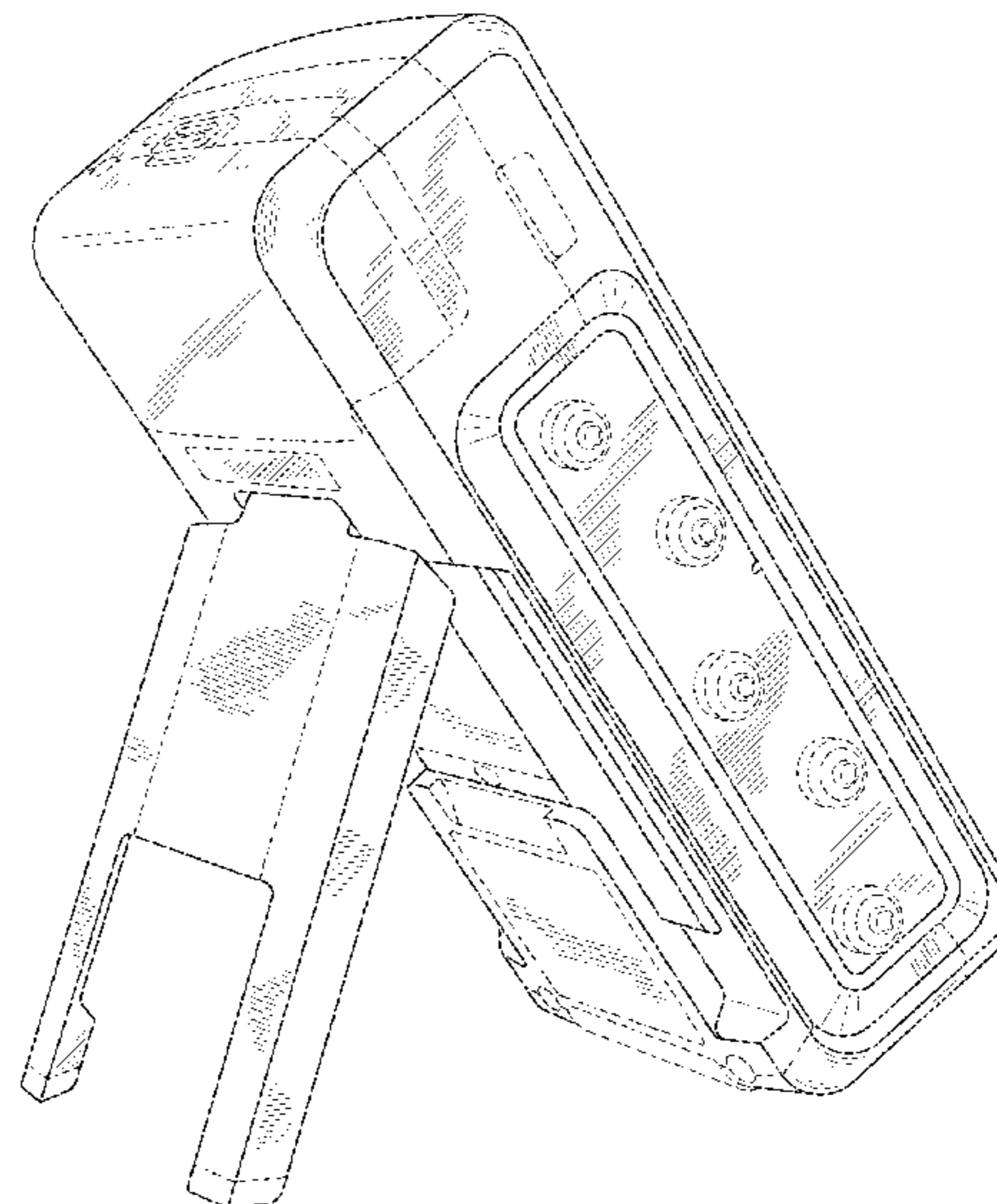
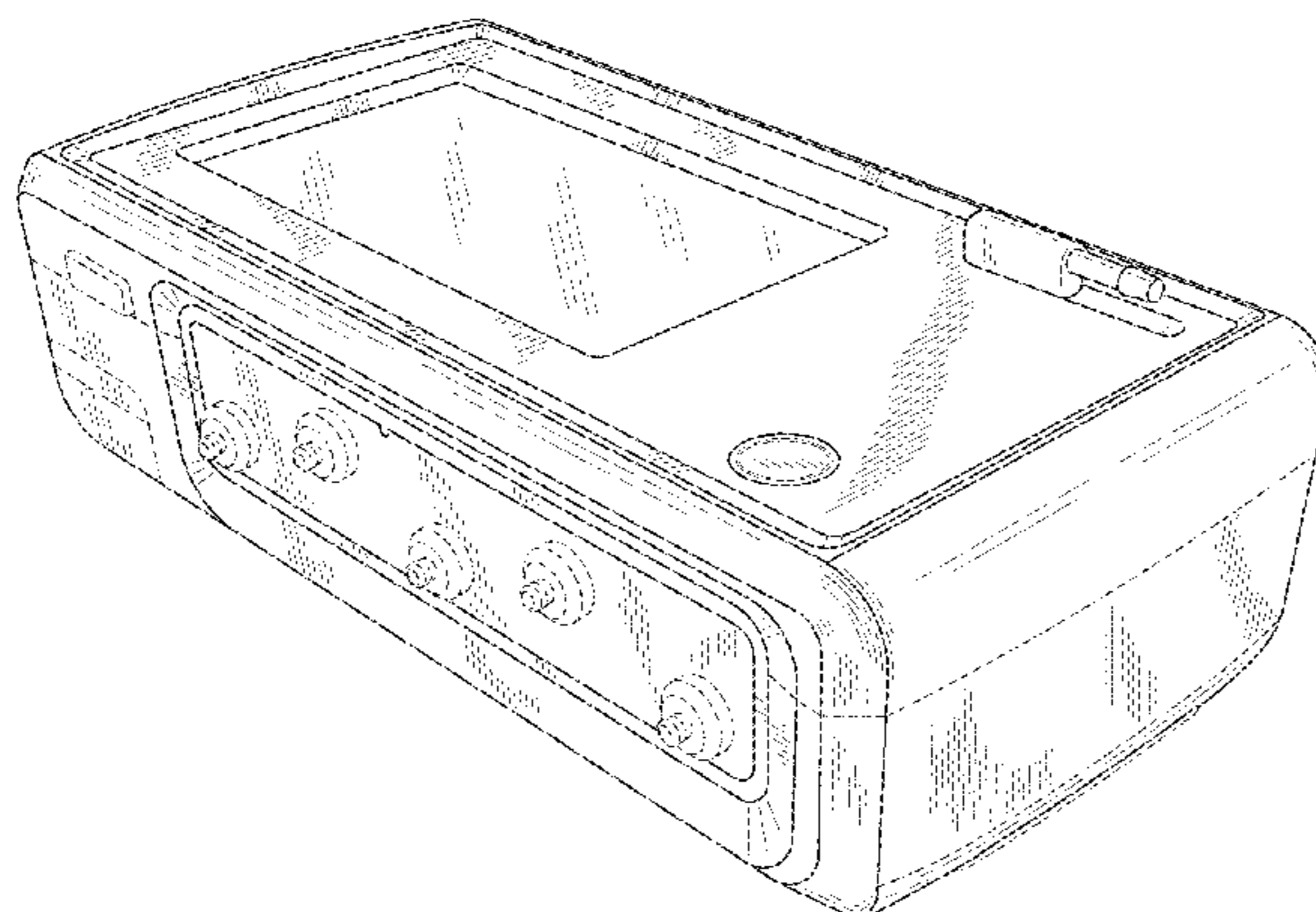
FIG. 1 is a front elevation view of a biomedical multifunction tester showing my new design;
 FIG. 2 is a top plan view thereof;
 FIG. 3 is a bottom plan view thereof;
 FIG. 4 is a rear elevation view thereof;
 FIG. 5 is a left side elevation view thereof;
 FIG. 6 is a right side elevation view thereof;
 FIG. 7 is a top front left perspective view thereof;
 FIG. 8 is a top front right perspective view thereof;
 FIG. 9 is a bottom front left perspective view thereof;
 FIG. 10 is a bottom front right perspective view thereof;
 FIG. 11 is a right side elevation view of the biomedical multifunction tester shown in FIG. 1 with a stand shown in an open configuration; and,
 FIG. 12 is a top rear left perspective view thereof.
 The broken lines shown in the figures illustrate environment and form no part of the claimed design.

(56) **References Cited**

U.S. PATENT DOCUMENTS

- D204,680 S * 5/1966 Rams D24/210
- D255,381 S * 6/1980 Schmidt D24/166
- D258,727 S 3/1981 Swinstead
- D261,172 S * 10/1981 Lissack D24/164
- D311,062 S * 10/1990 Nelson D24/186
- D311,700 S 10/1990 Nelson

1 Claim, 10 Drawing Sheets



US D765,257 S

Page 2

(56)

References Cited

U.S. PATENT DOCUMENTS

D598,098 S 8/2009 Tanaka
D598,100 S 8/2009 Tanaka
D608,010 S * 1/2010 Moscovita D24/216
D608,452 S 1/2010 Huang

D609,351 S * 2/2010 Wagener D24/186
D634,435 S * 3/2011 Chua D24/186
D640,377 S * 6/2011 Amano D24/138
D652,522 S 1/2012 Koester
D664,257 S 7/2012 Patil
D678,531 S 3/2013 Patil

* cited by examiner

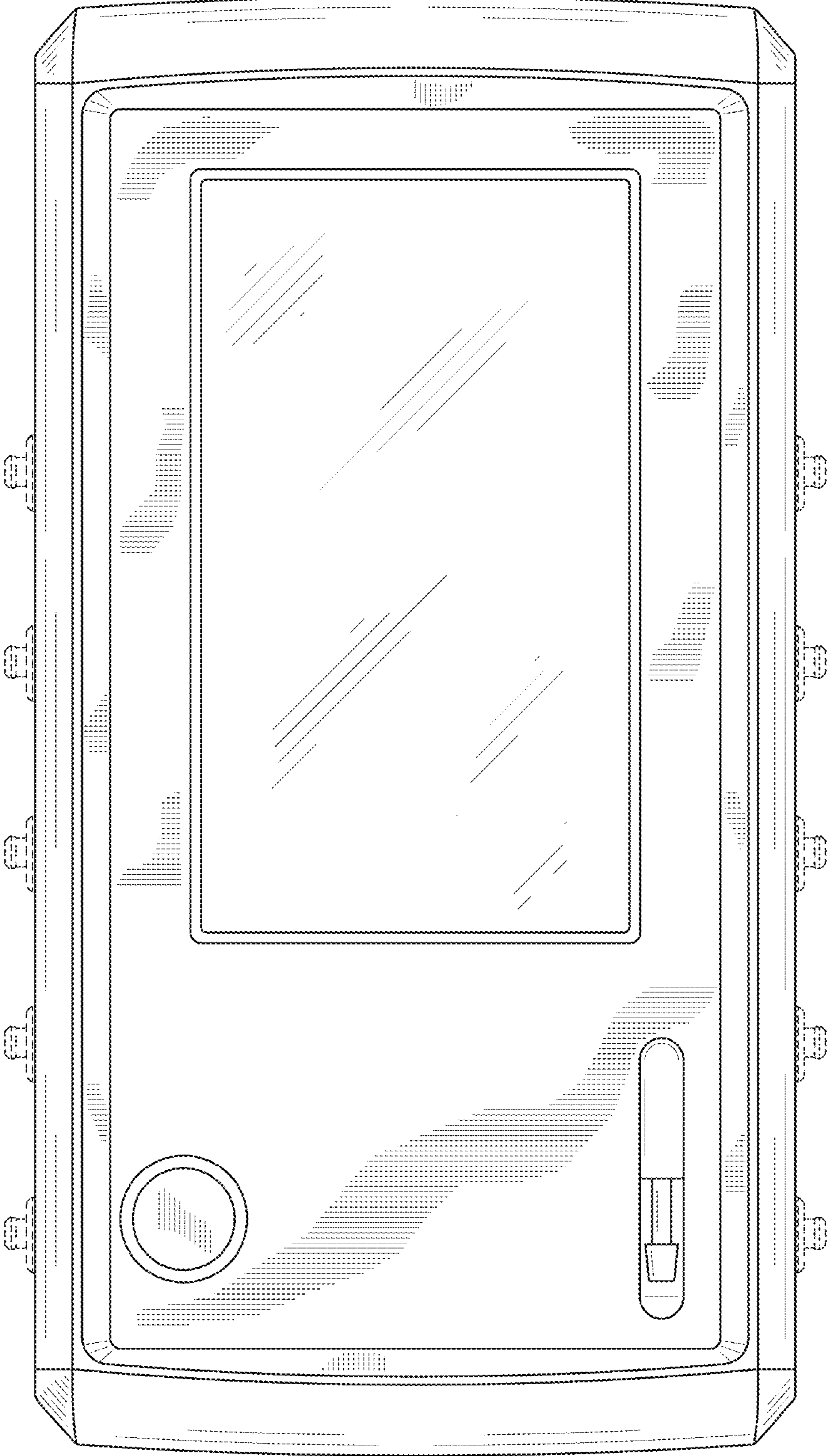


FIG. 1

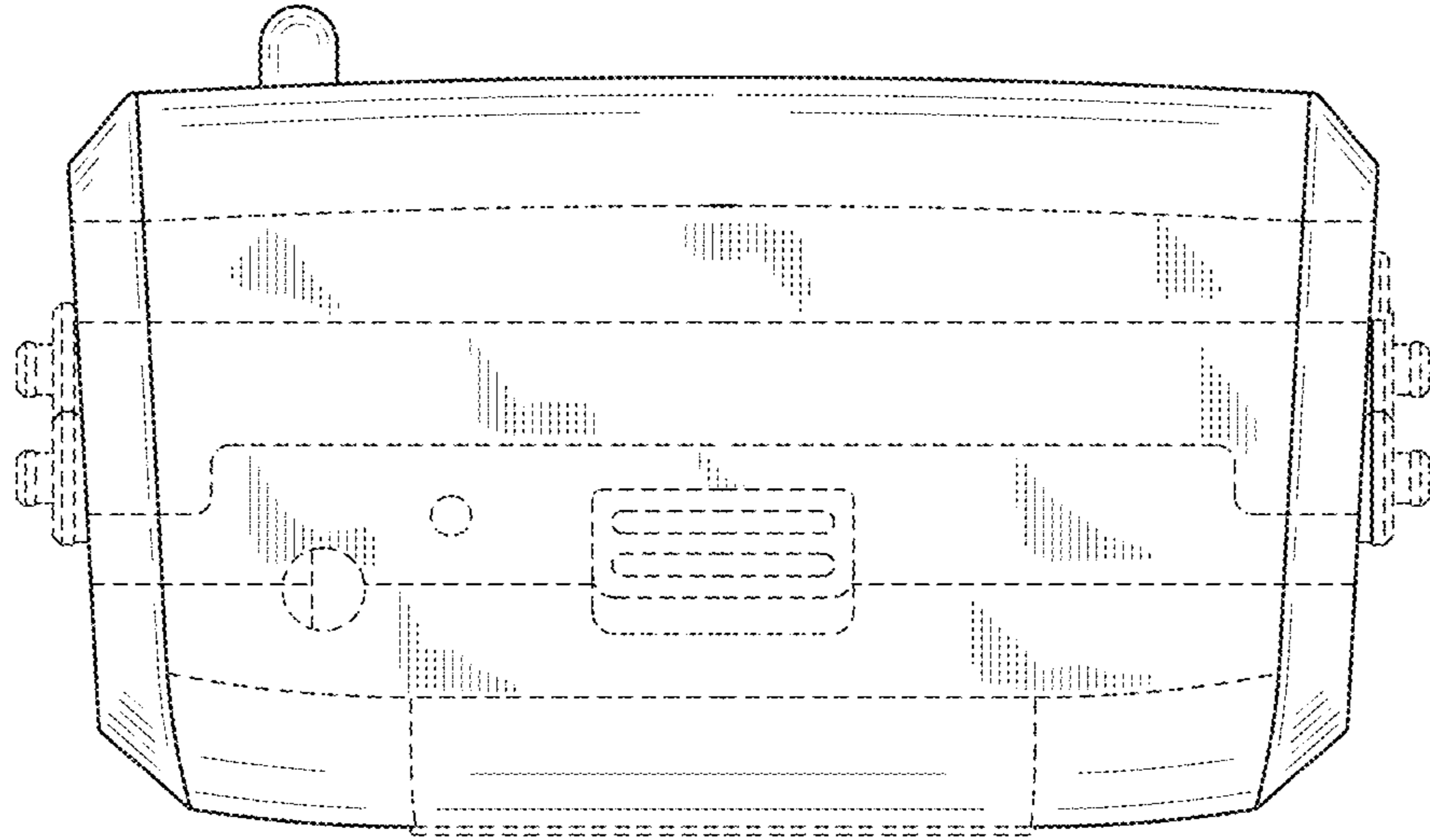


FIG. 2

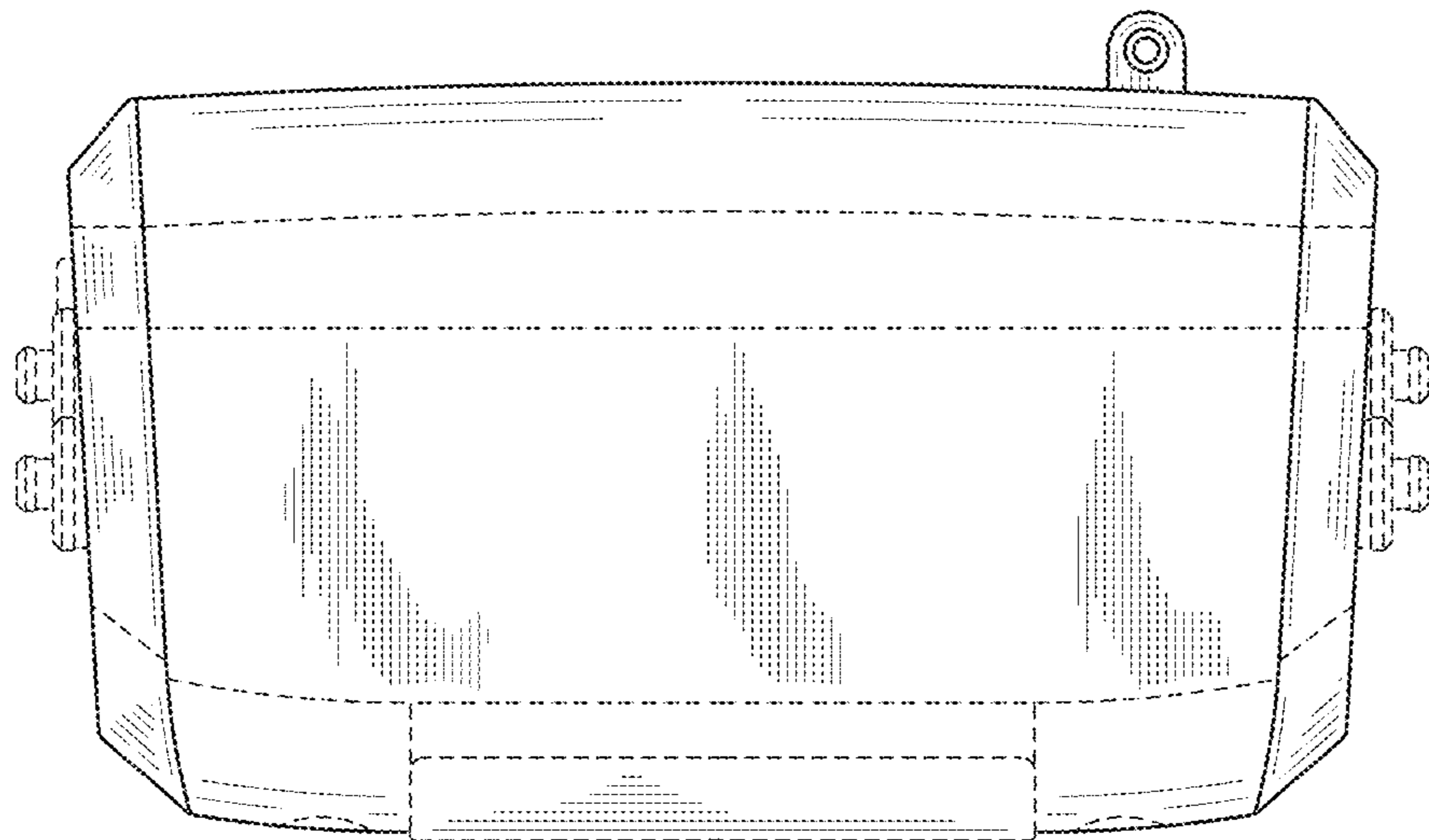


FIG. 3

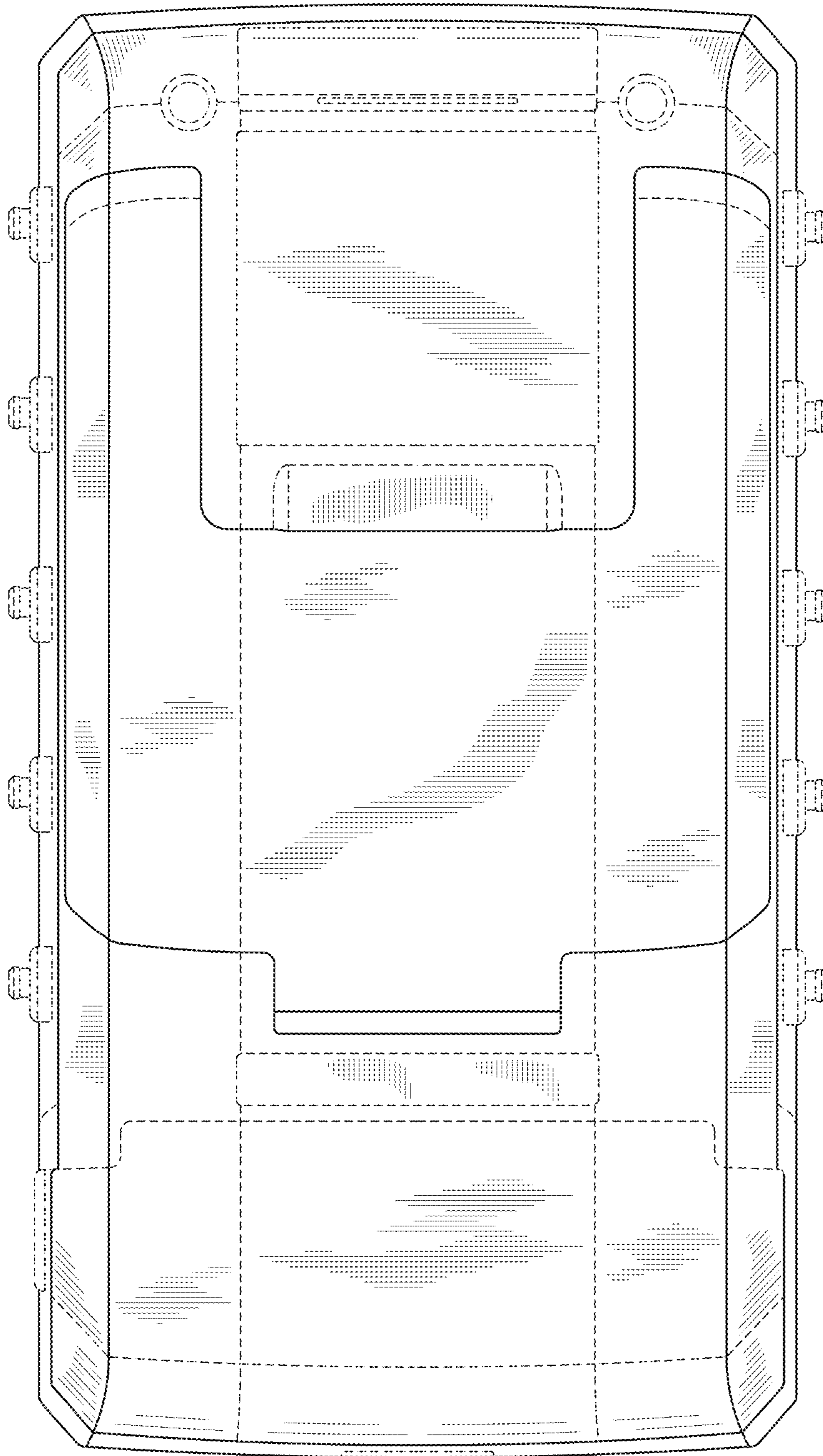


FIG. 4

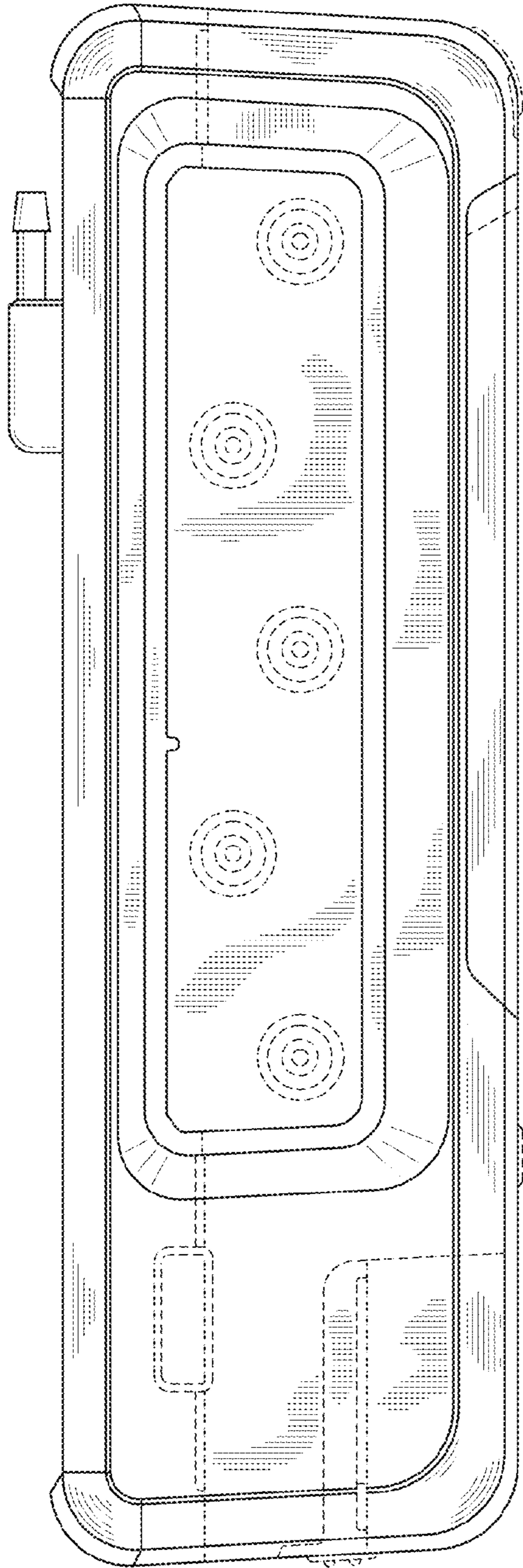


FIG. 5

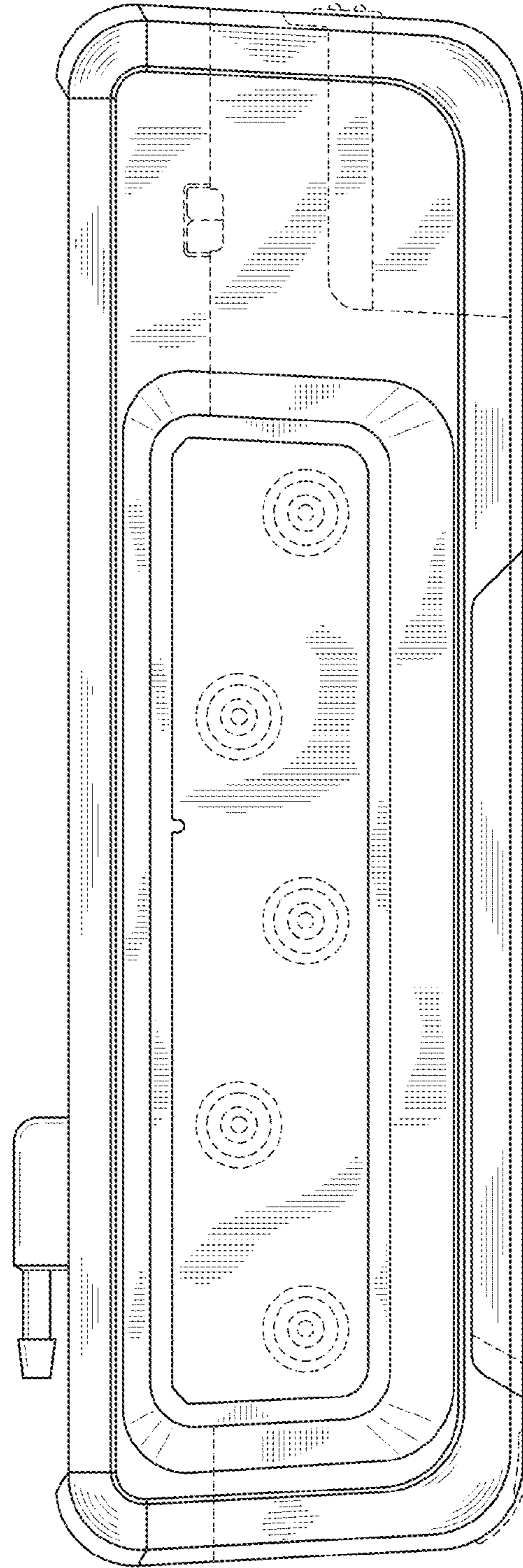


FIG. 6

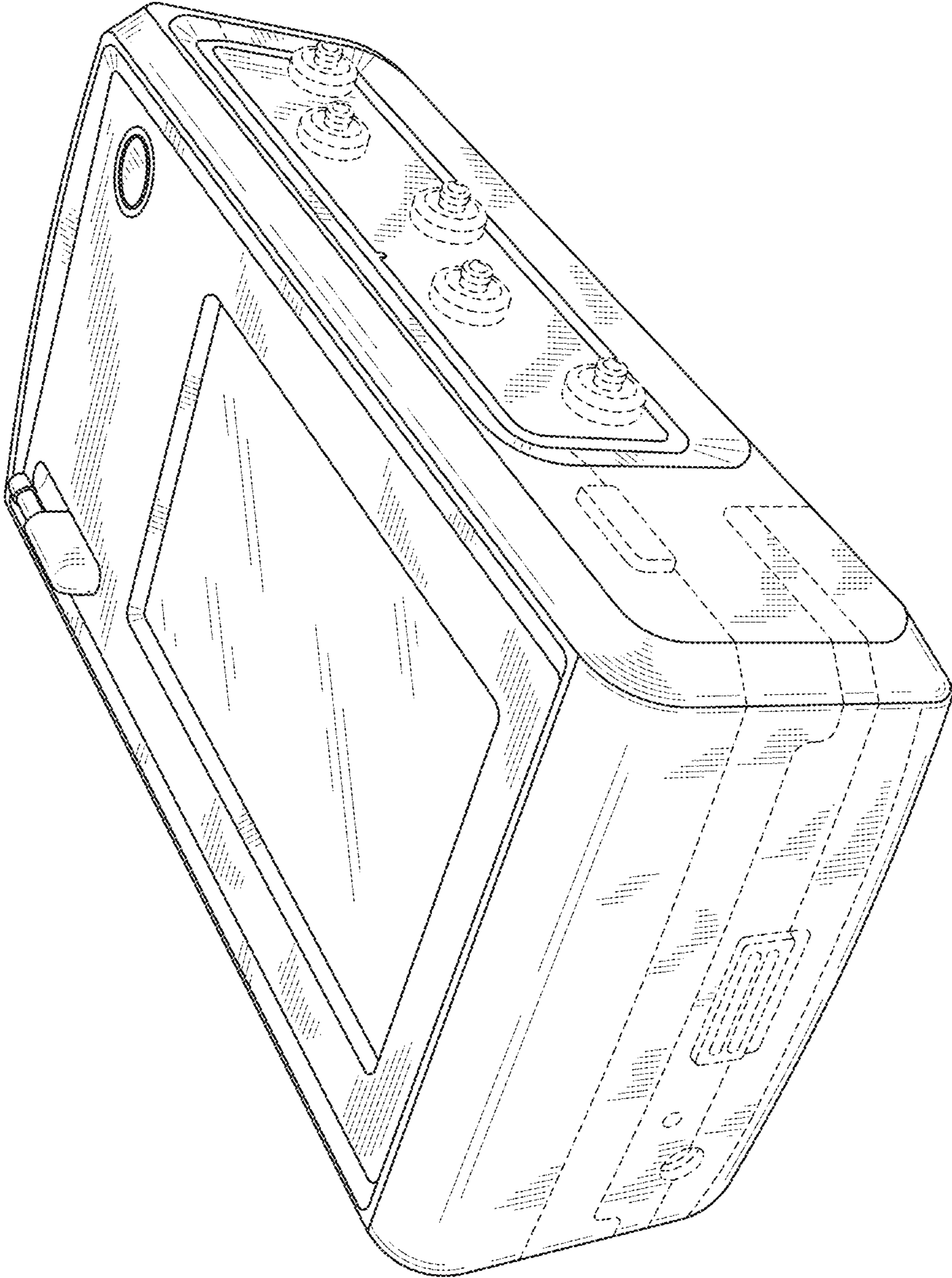


FIG. 7

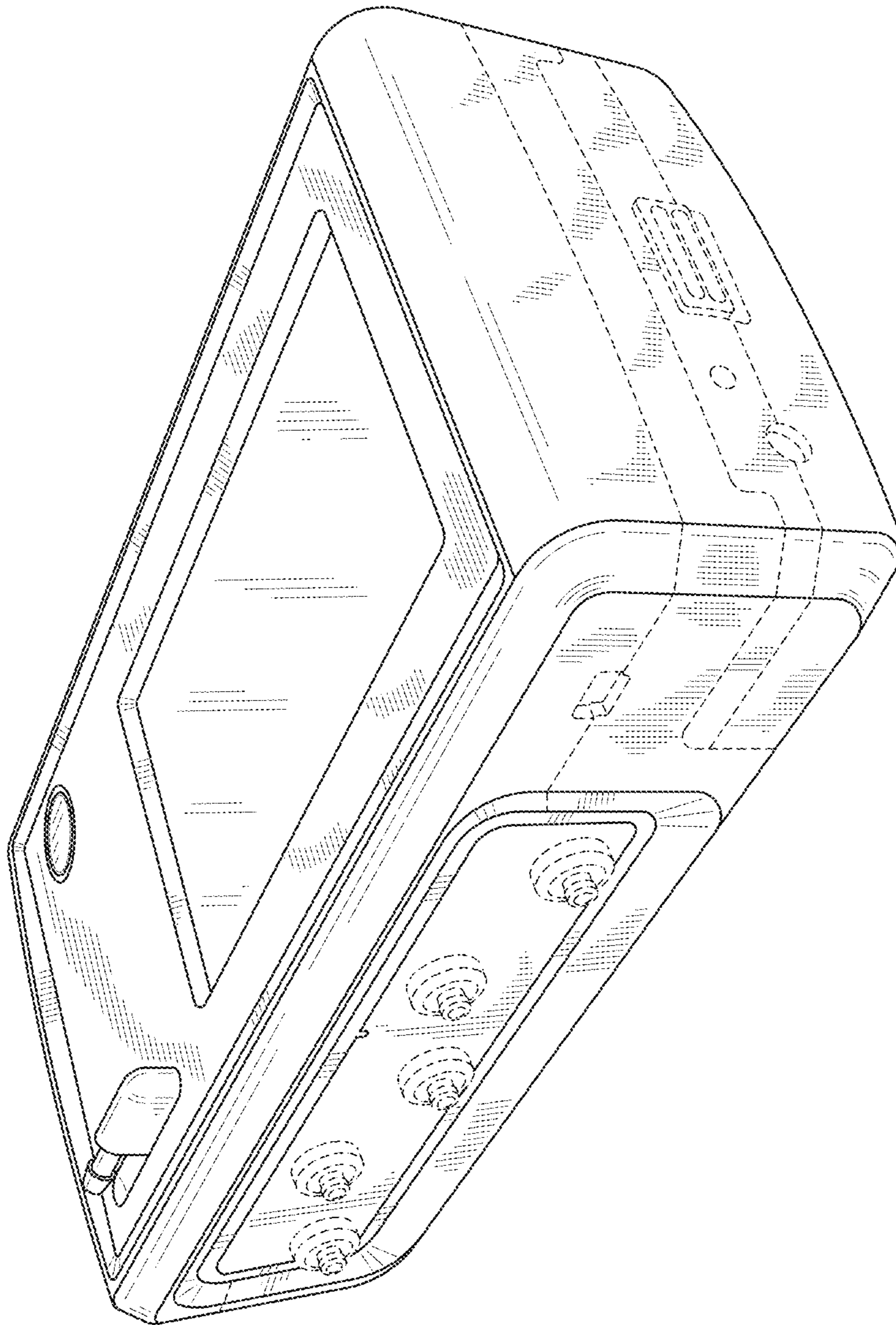


FIG. 8

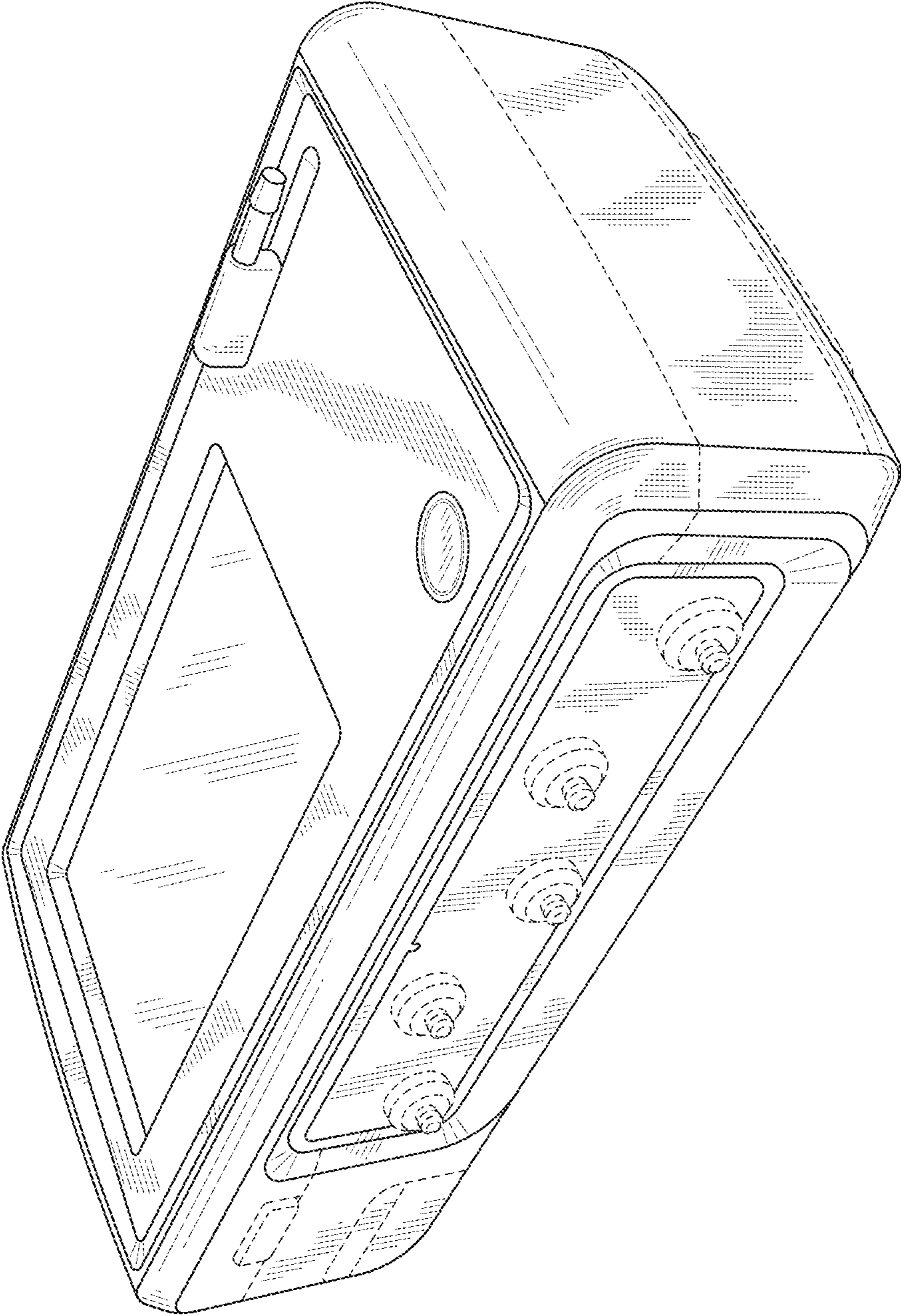


FIG. 9

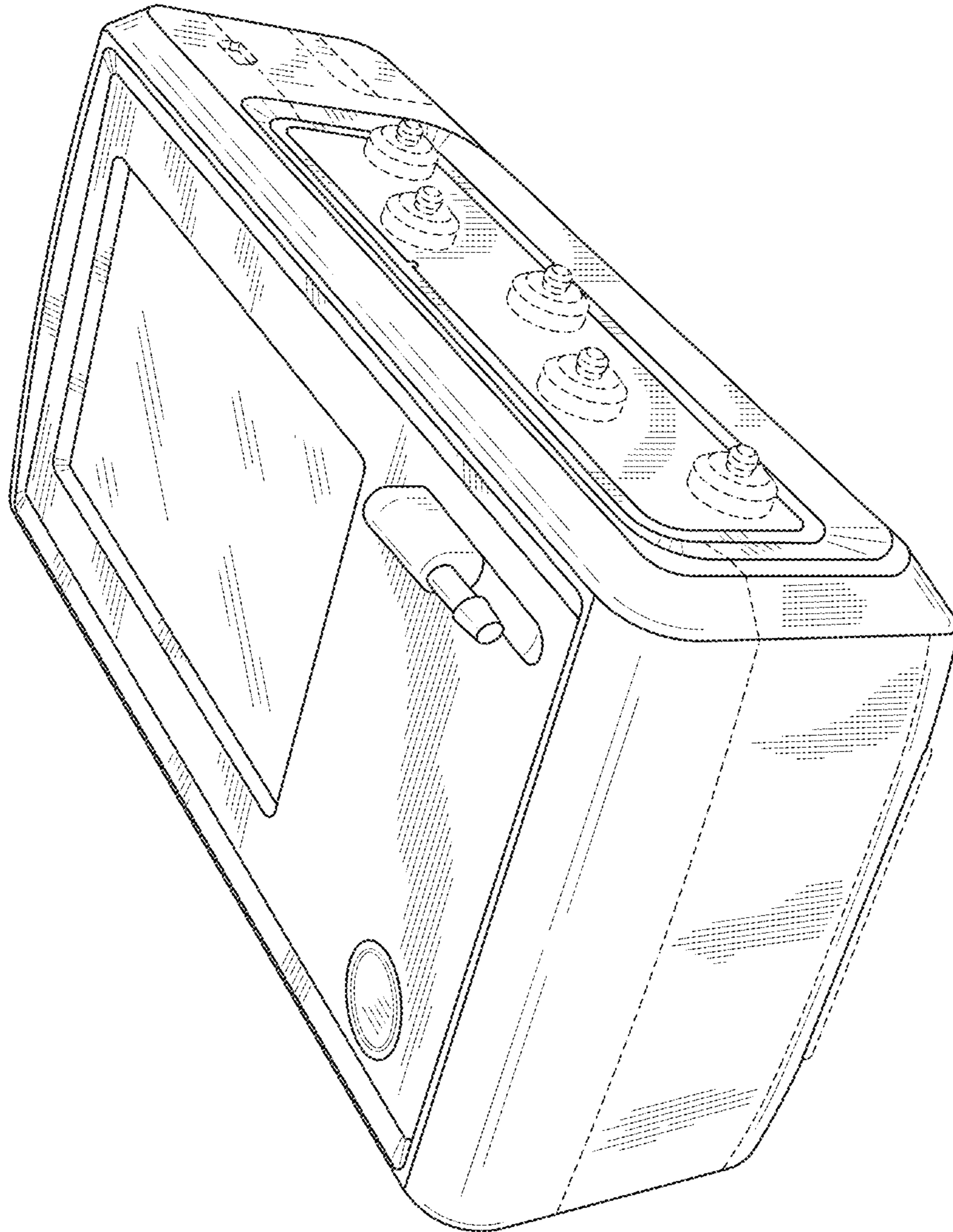


FIG. 10

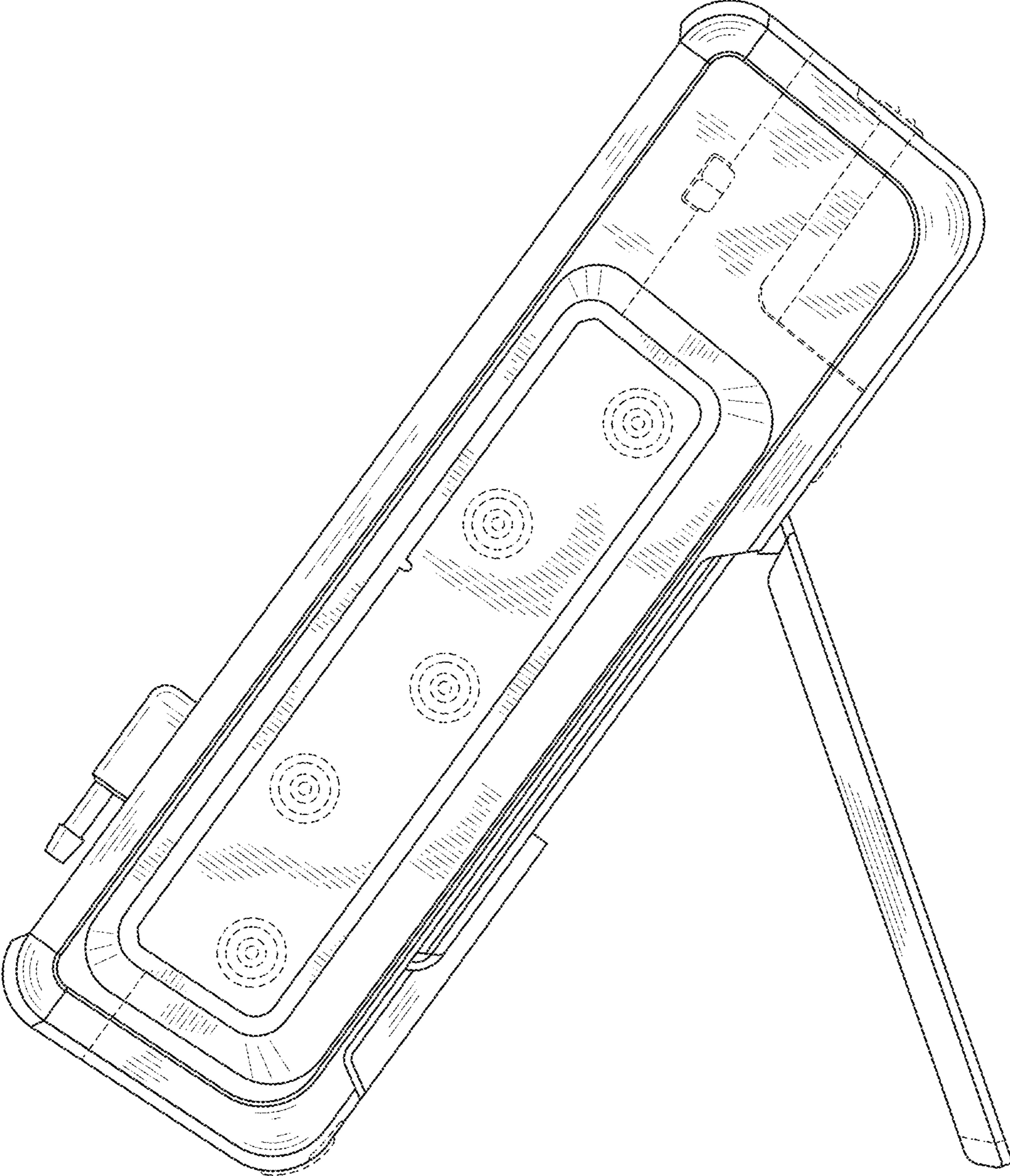


FIG. 11

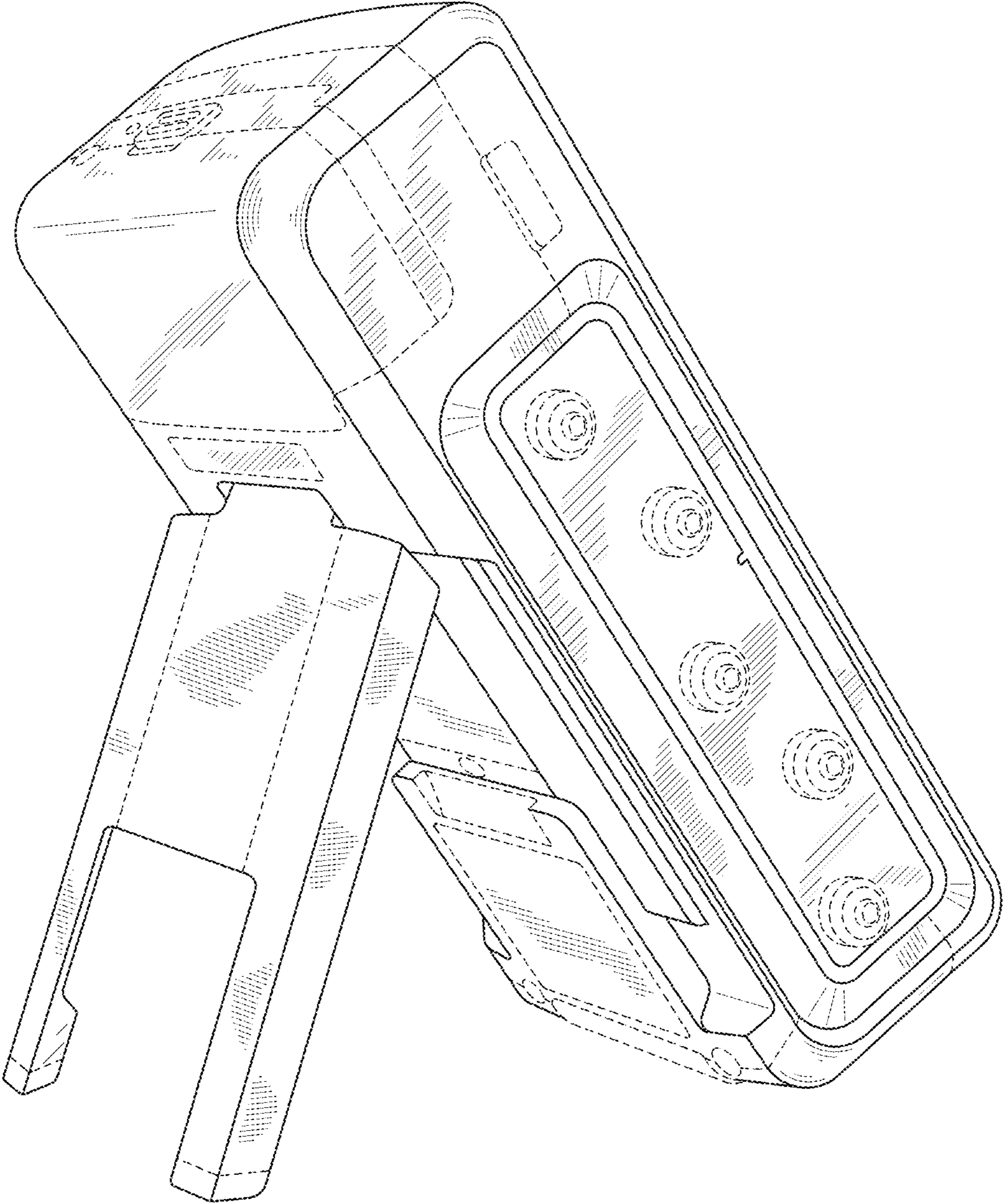


FIG. 12