

US00D765256S

(12) **United States Design Patent** (10) **Patent No.:** **US D765,256 S**
Bates et al. (45) **Date of Patent:** **** Aug. 30, 2016**

(54) **APPARATUS FOR SLEEP INFORMATION DETECTION**

(57) **CLAIM**

(71) Applicant: **ResMed Sensor Technologies Limited**,
Dublin (IE)

The ornamental design of apparatus for sleep information detection, as shown and described.

(72) Inventors: **Mathew Bates**, Bray (IE); **Lukas Fuchs**, Bray (IE); **Ganesh Kumar Sukumar**, Chennai (IN); **Buvenesh Balaji Ramachandran**, Chennai (IN); **Kieran Conway**, Clane (IE); **Stephen McMahon**, Dublin (IE); **Dominic Southgate**, Dublin (IE)

DESCRIPTION

(73) Assignee: **ResMed Sensor Technologies Limited** (IE)

FIG. 1 is a top, front and left side perspective view of an embodiment of an apparatus for sleep information detection; FIG. 2 is a front elevation view thereof; FIG. 3 is a rear elevation view thereof; FIG. 4 is a left side elevation view thereof, the right side being a mirror image; FIG. 5 is a top plan view thereof; FIG. 6 is a bottom plan view thereof; FIG. 7 is a top, front and left side perspective view of an embodiment of a detection module of the apparatus for sleep information detection of FIG. 1; FIG. 8 is a top, rear and right side perspective view thereof; FIG. 9 is a front elevation view thereof; FIG. 10 is a rear elevation view thereof; FIG. 11 is a right side elevation view thereof; FIG. 12 is a left side elevation view thereof; FIG. 13 is a top plan view thereof; FIG. 14 is a bottom plan view thereof; FIG. 15 is a top, front and left side perspective view of an embodiment of a stand of the apparatus for sleep information detection of FIG. 1; FIG. 16 is a front elevation view thereof; FIG. 17 is a rear elevation view thereof; FIG. 18 is a left or right side elevation view thereof; FIG. 19 is a top plan view thereof; FIG. 20 is a bottom plan view thereof; FIG. 21 is a top, front and left side perspective view of another embodiment of a stand of the apparatus for sleep information detection of FIG. 1; FIG. 22 is a front elevation view thereof; and, FIG. 23 is a rear elevation view thereof.

(**) Term: **14 Years**

(21) Appl. No.: **29/490,436**

(22) Filed: **May 9, 2014**

(51) **LOC (10) Cl.** **24-01**

(52) **U.S. Cl.**
USPC **D24/186**

(58) **Field of Classification Search**
USPC D24/165-168, 186, 187, 107, 200;
D10/70, 75, 97, 98; 600/301, 382-384,
600/386, 390, 483, 500-503, 508, 509, 513
CPC A61B 5/4809; A61B 5/4812
See application file for complete search history.

(56) **References Cited**

U.S. PATENT DOCUMENTS

D443,931 S * 6/2001 Davey D24/186
D598,551 S * 8/2009 Miwa D24/186
D605,305 S * 12/2009 Carter D24/231

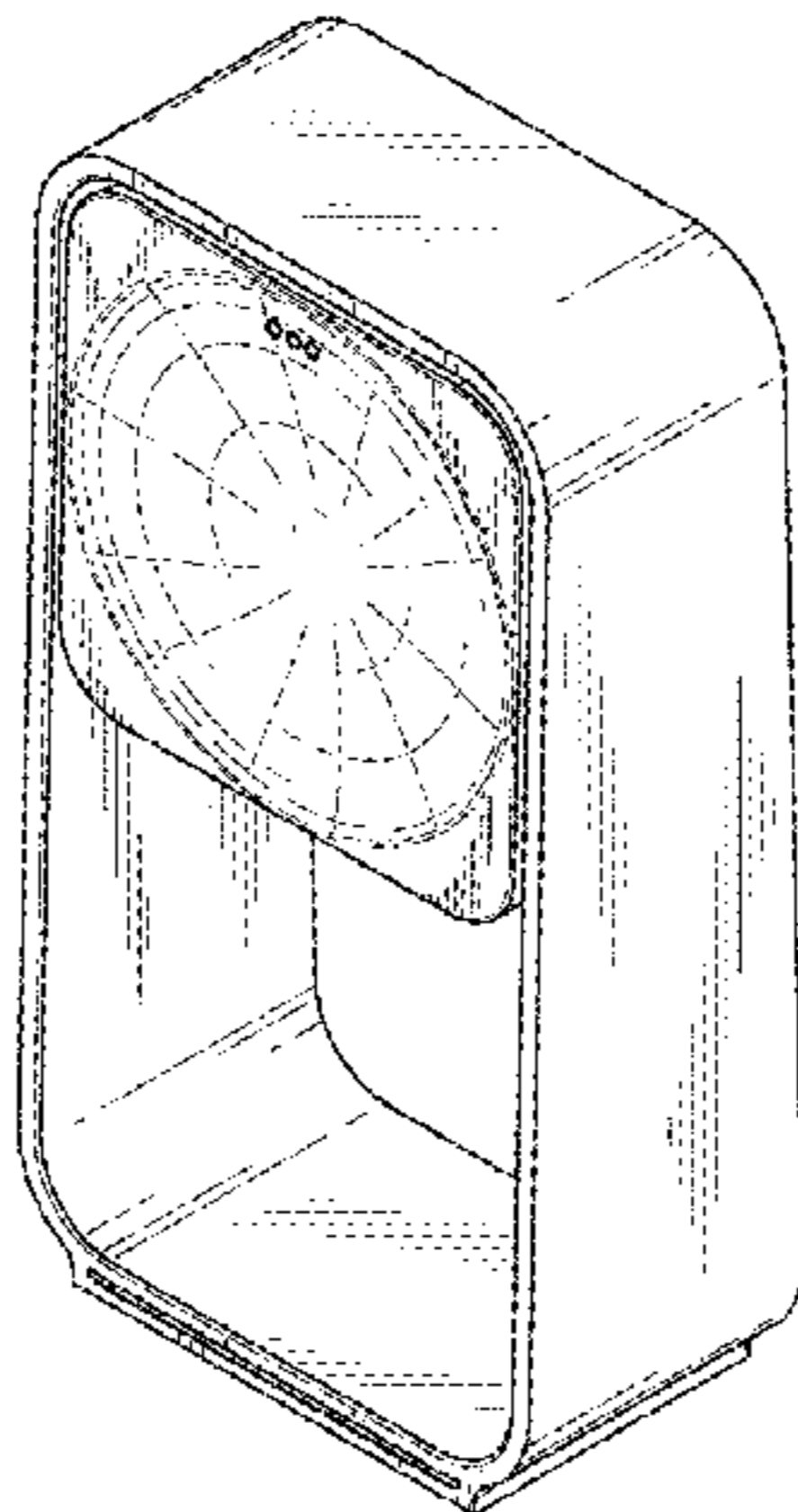
(Continued)

Primary Examiner — Anhdao Doan

(74) *Attorney, Agent, or Firm* — Lerner, David, Littenberg, Krumholz & Mentlik, LLP

The broken lines in the drawings are included for purposes of illustrating portions of the apparatus for sleep information detection that form no part of the claimed design.

1 Claim, 10 Drawing Sheets



US D765,256 S

Page 2

(56)

References Cited

U.S. PATENT DOCUMENTS

D700,343 S * 2/2014 Liu D24/186
D707,827 S * 6/2014 Tseng D24/186
D724,970 S * 3/2015 Hasegawa D10/65

2013/0310662 A1* 11/2013 Tsutsumi A61B 5/4812
600/301
2014/0024917 A1* 1/2014 McMahon A61B 5/4836
600/407

* cited by examiner

Fig. 1

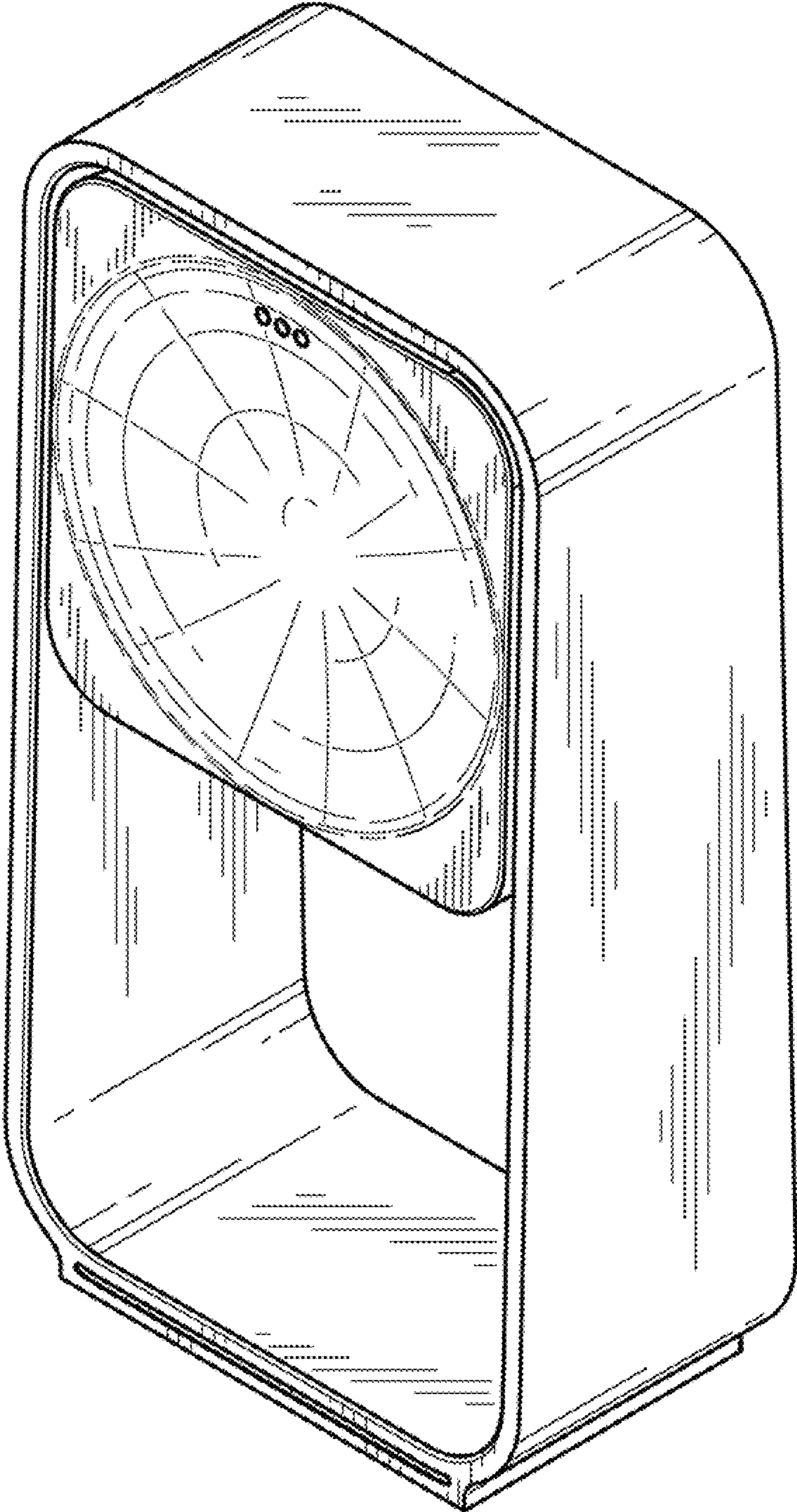


Fig. 2

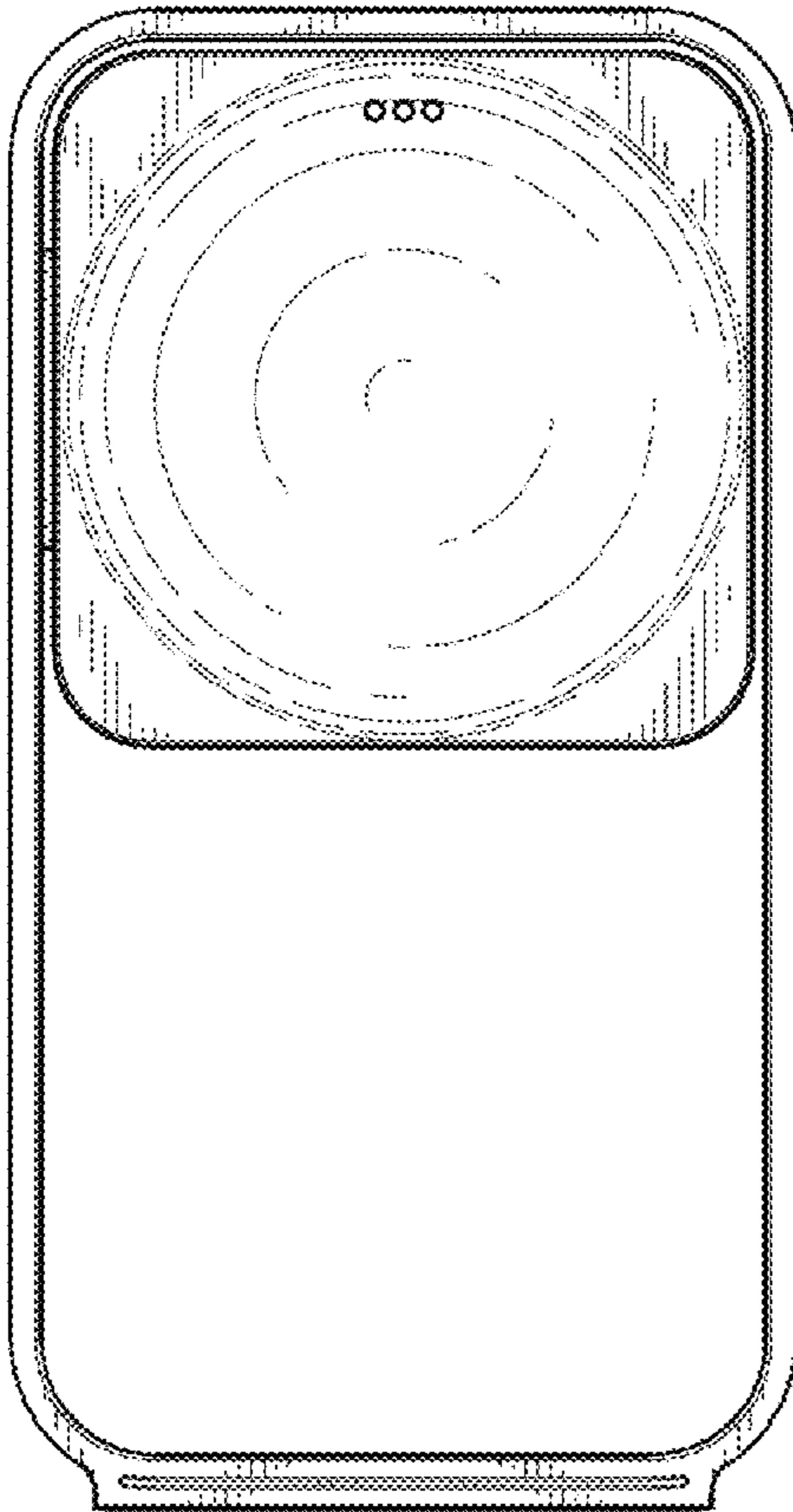


Fig. 3

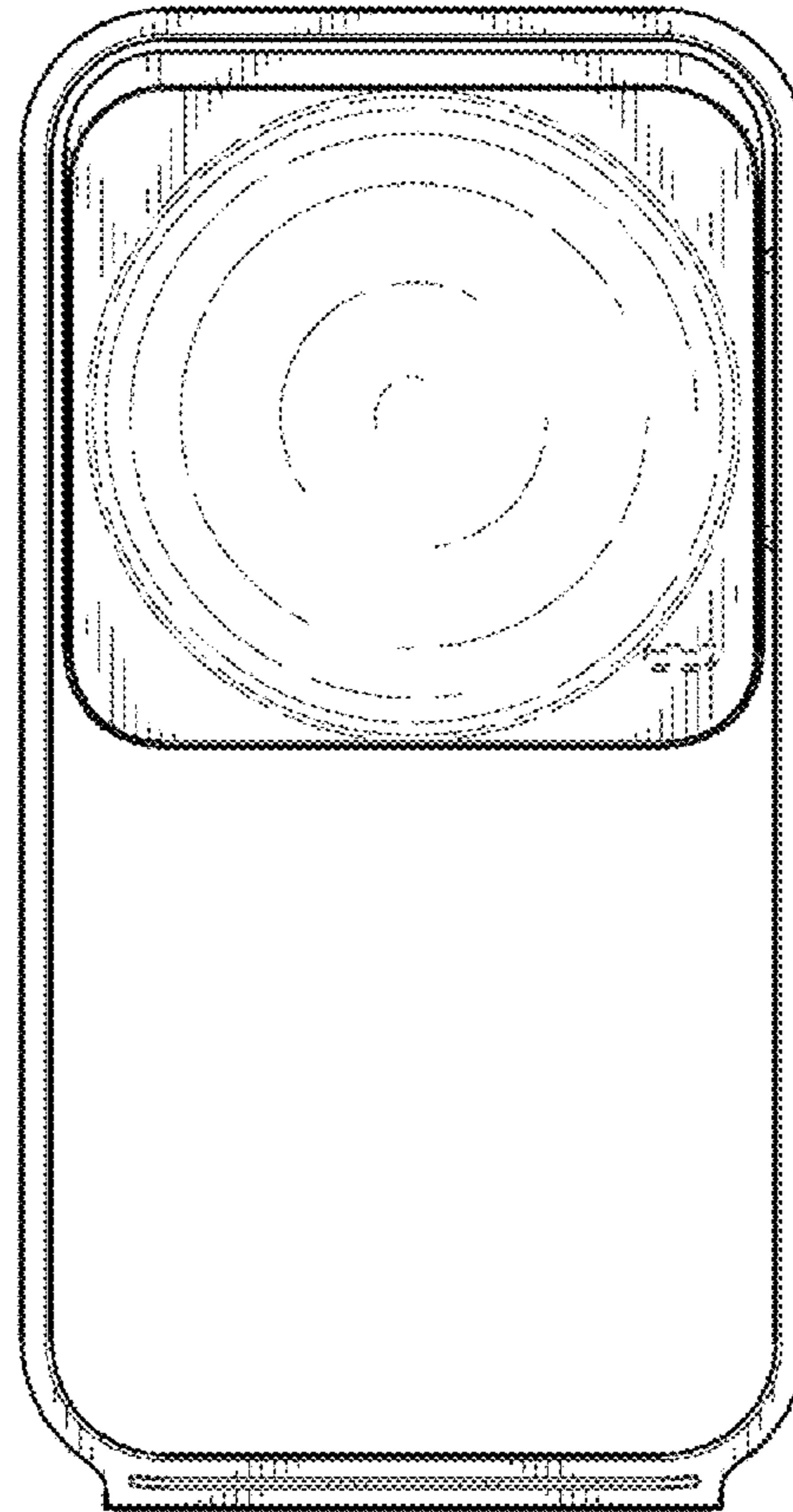


Fig. 4

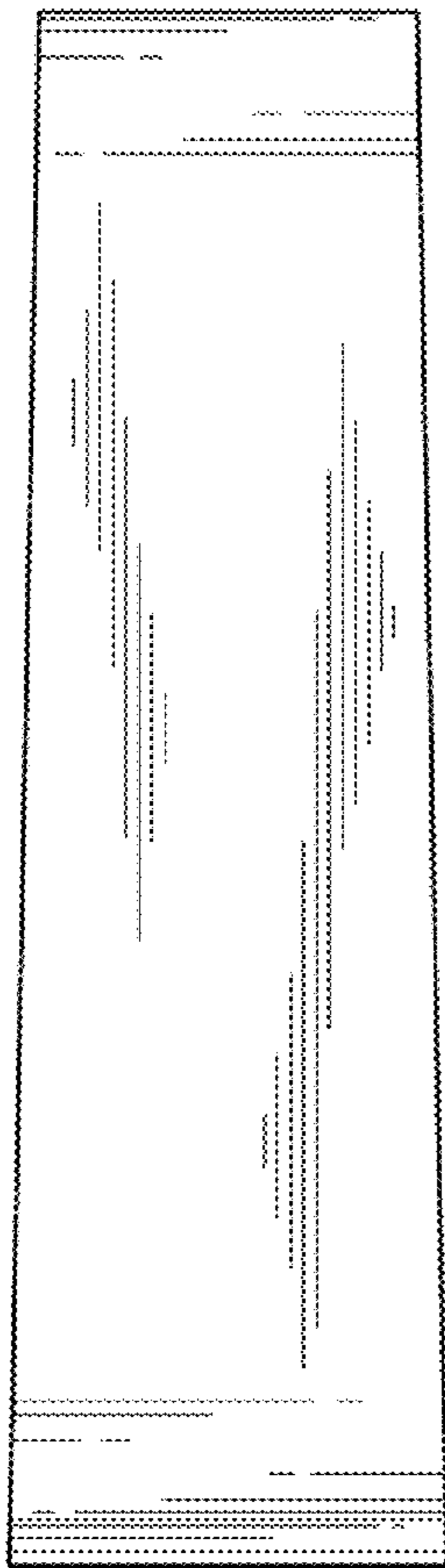


Fig. 5

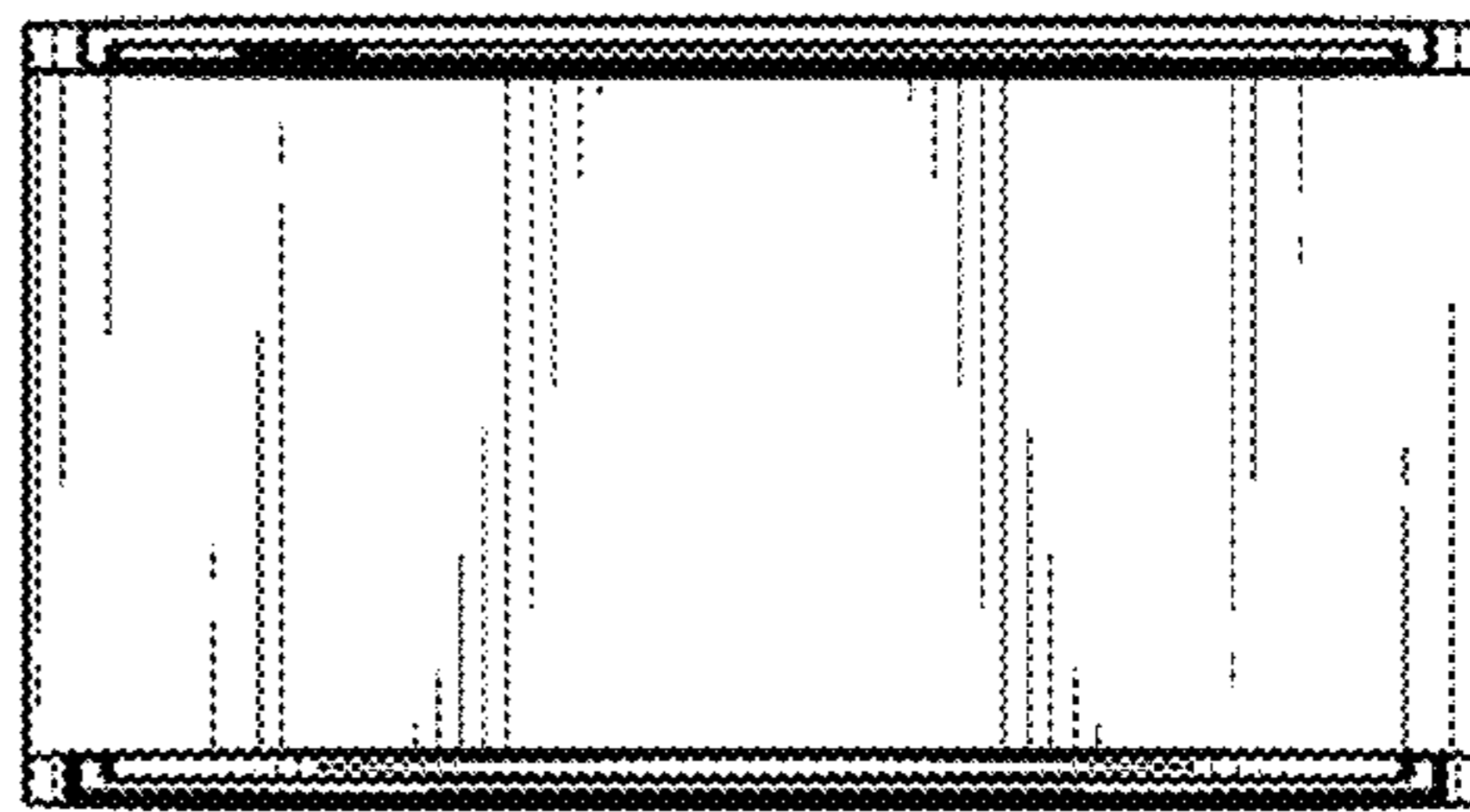


Fig. 6

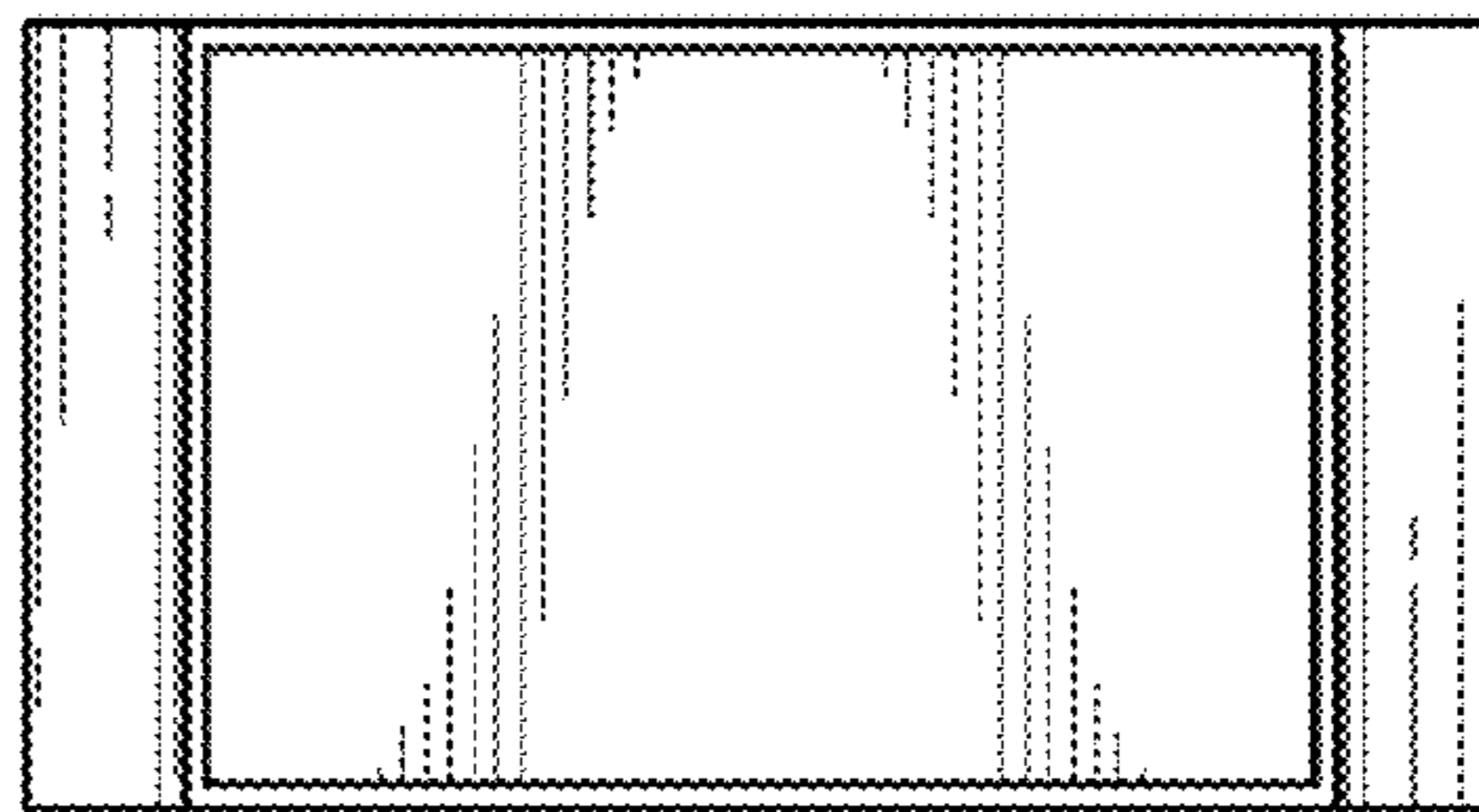


Fig. 7

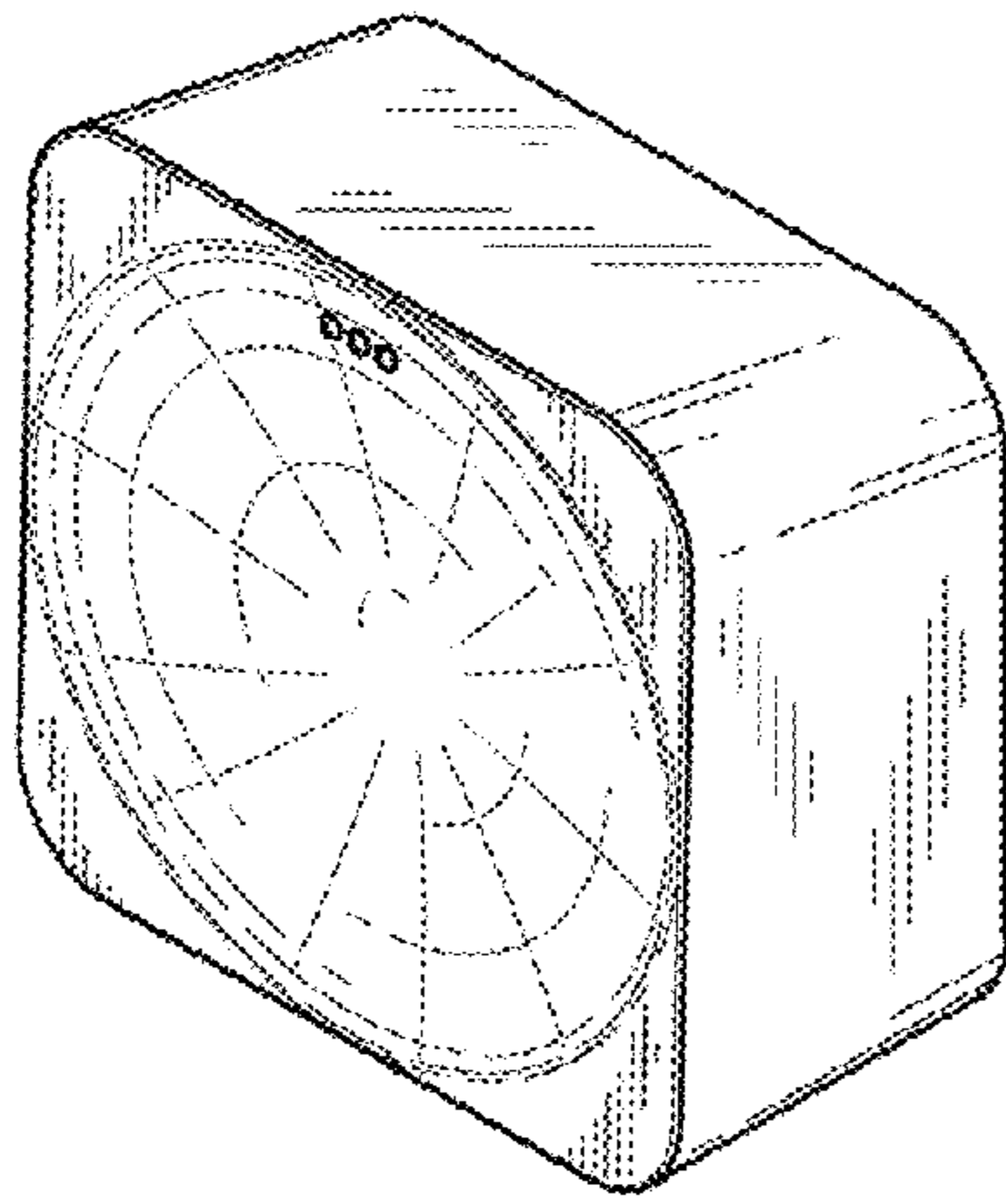


Fig. 8

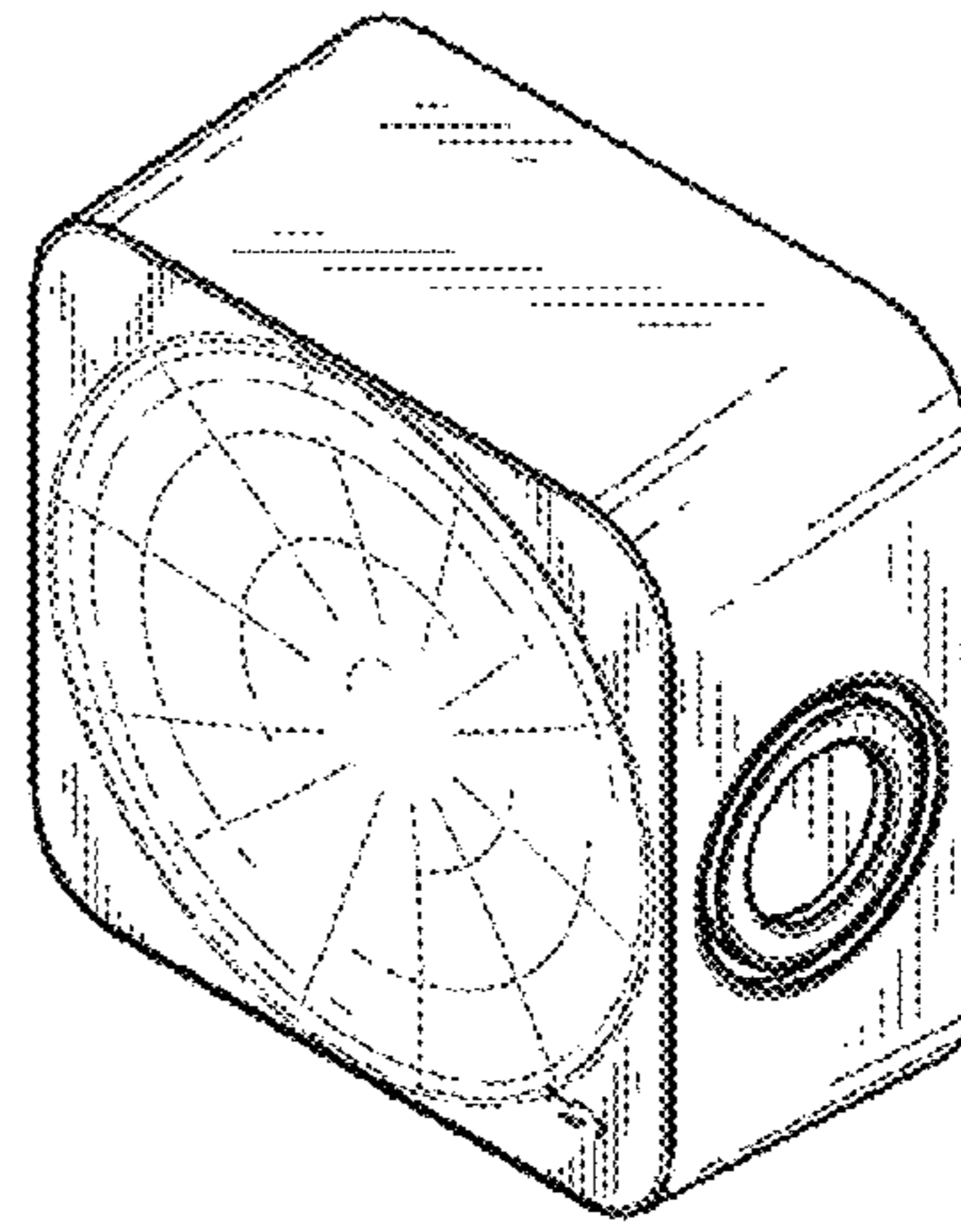


Fig. 9

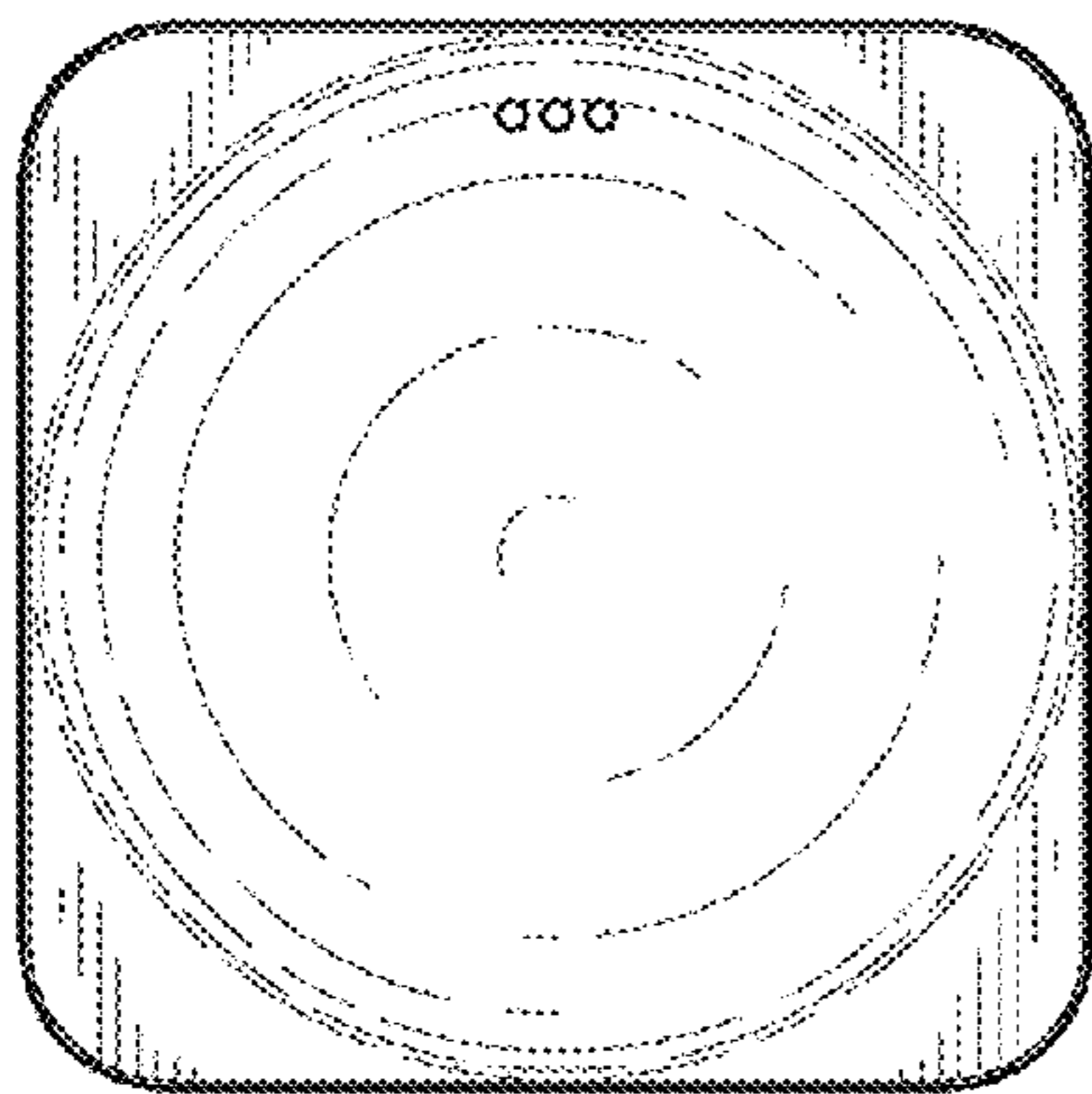


Fig. 10

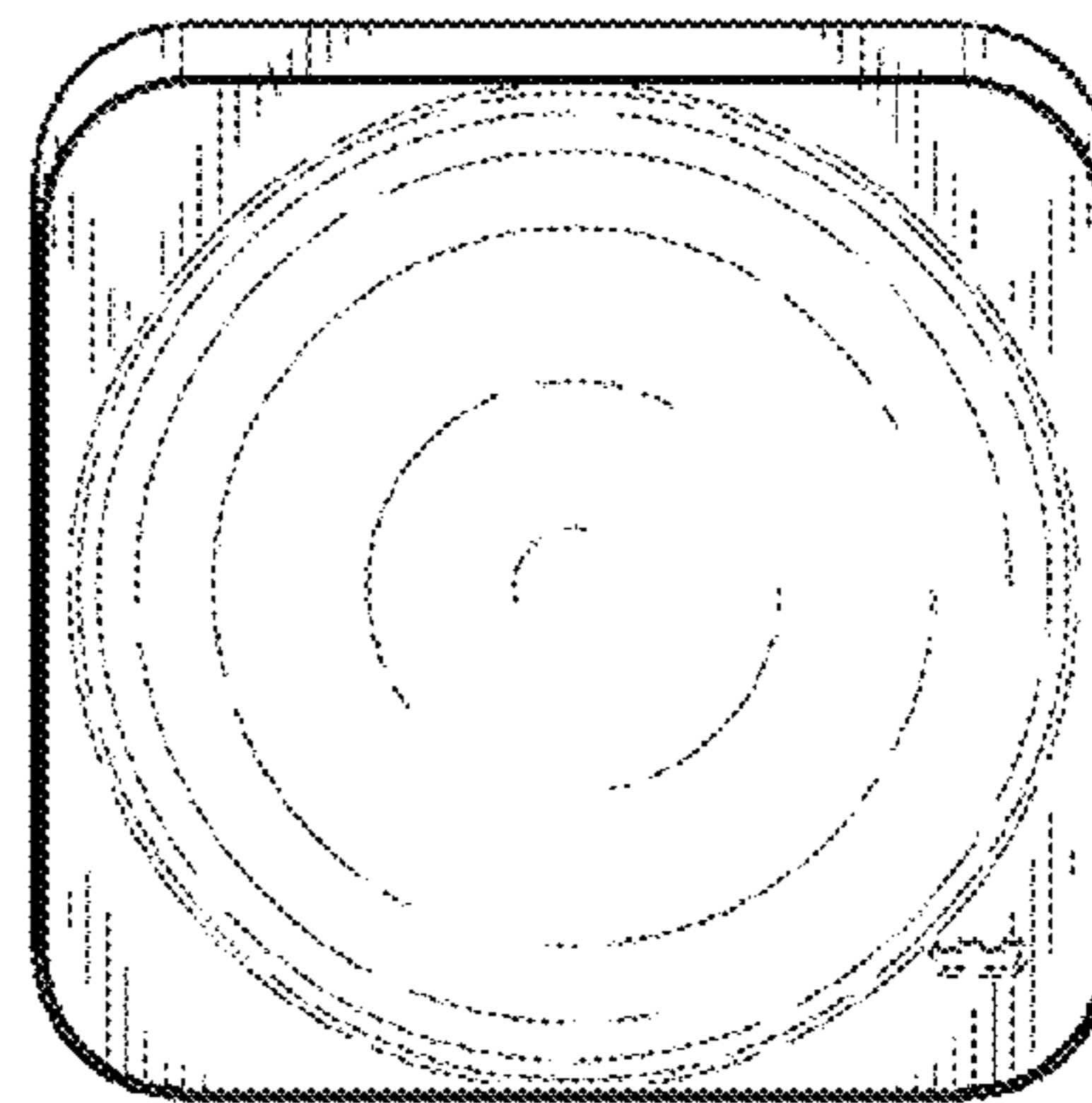


Fig. 11

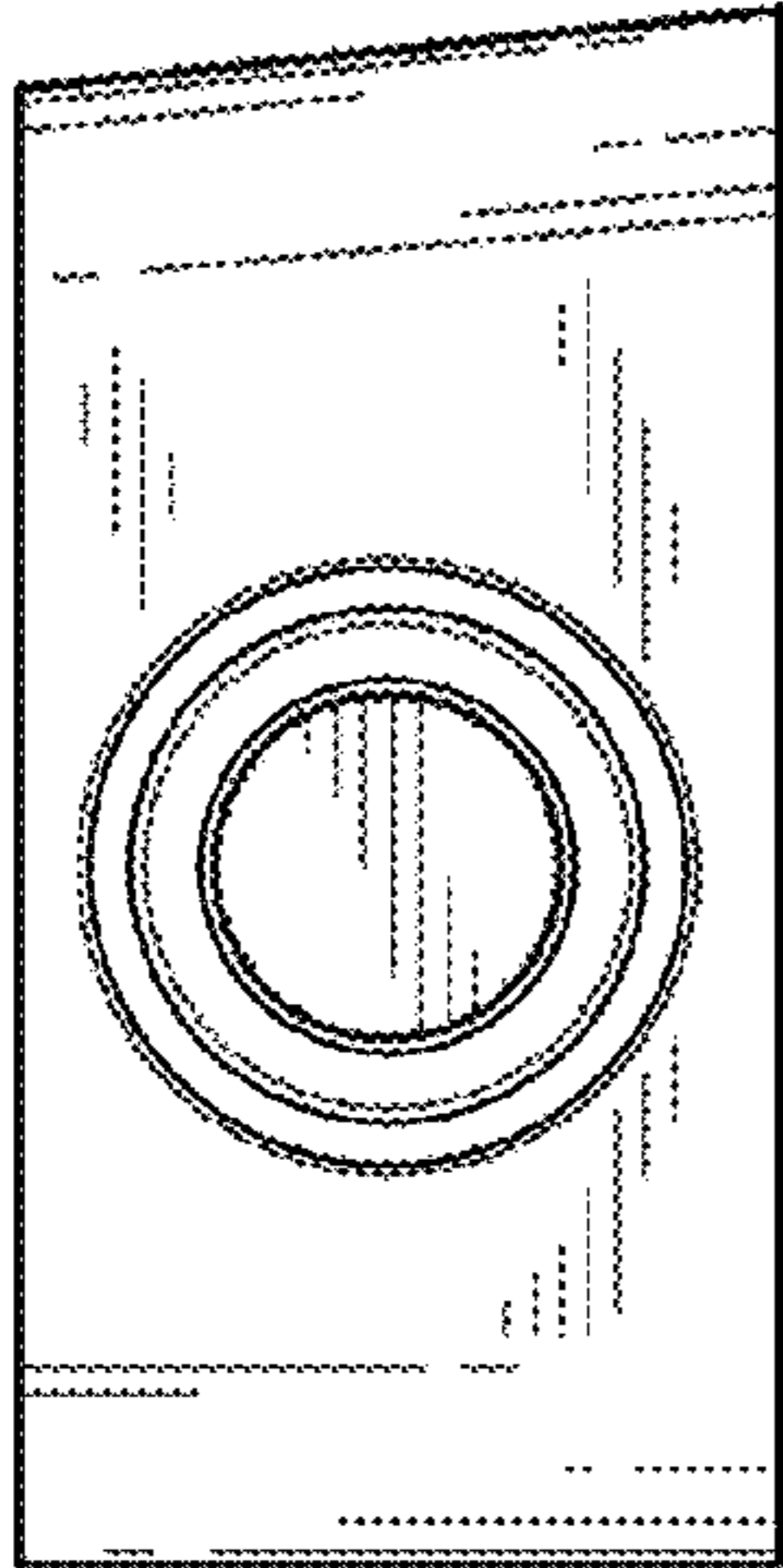


Fig. 12

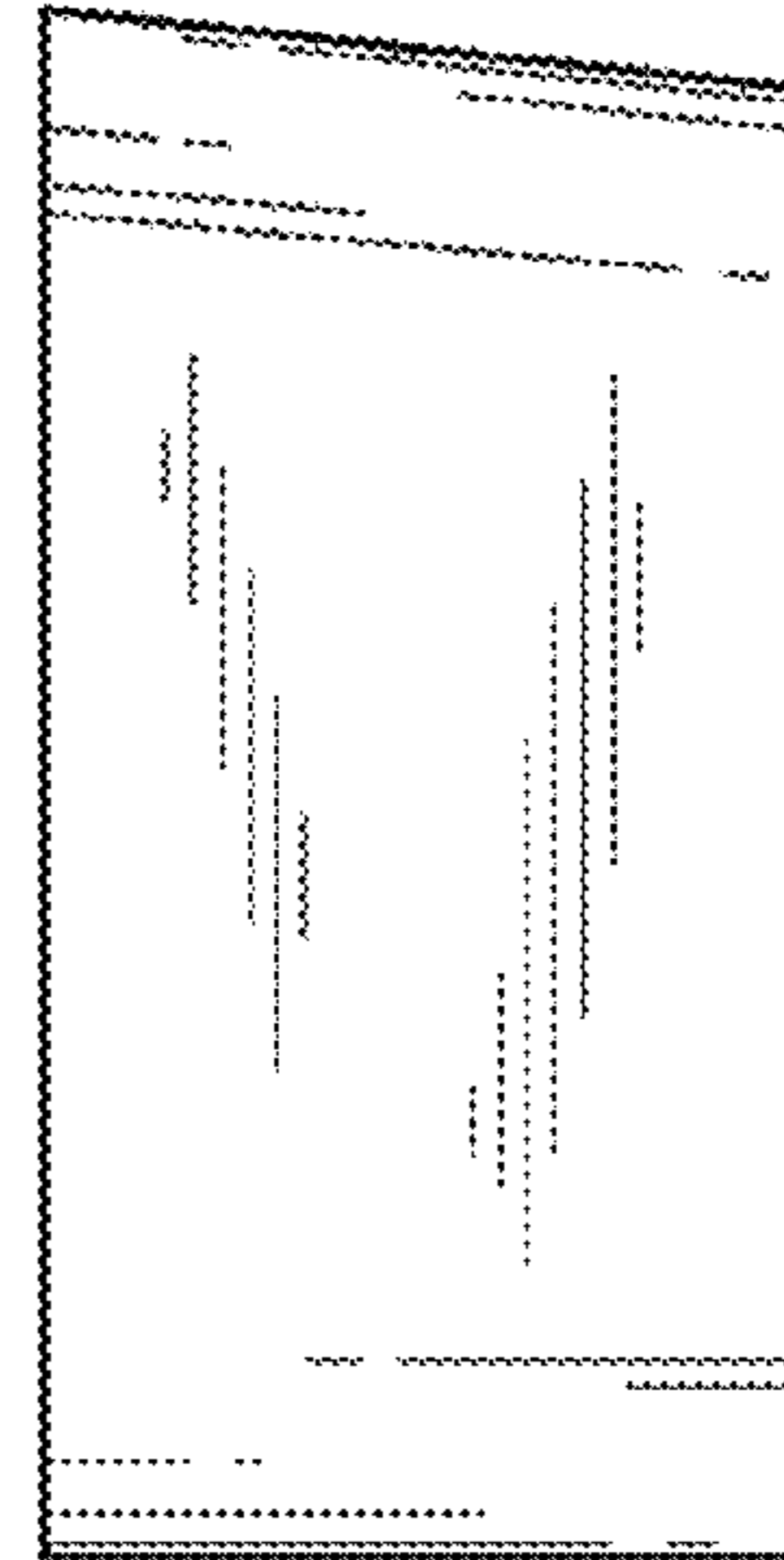


Fig. 13

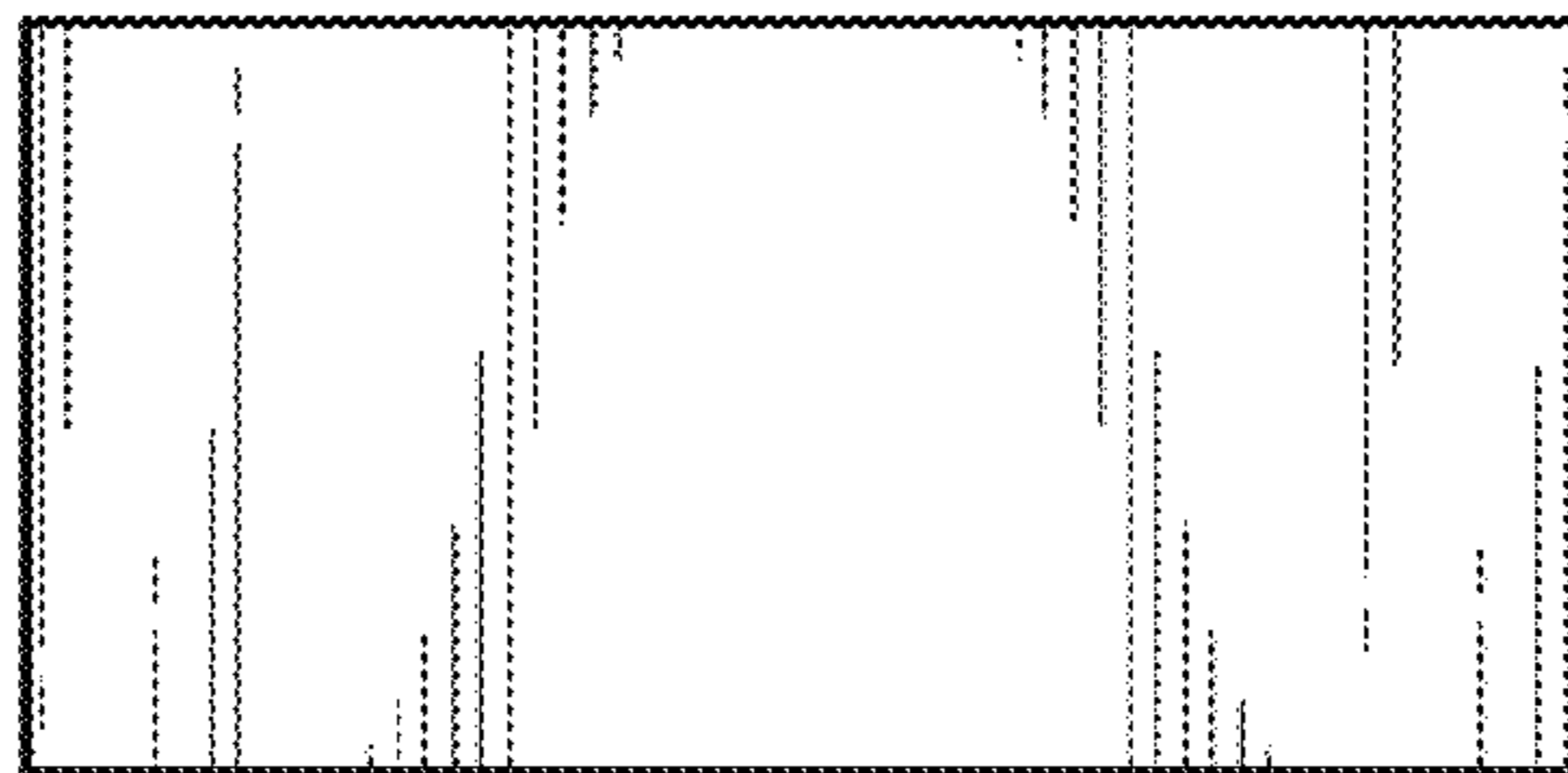


Fig. 14

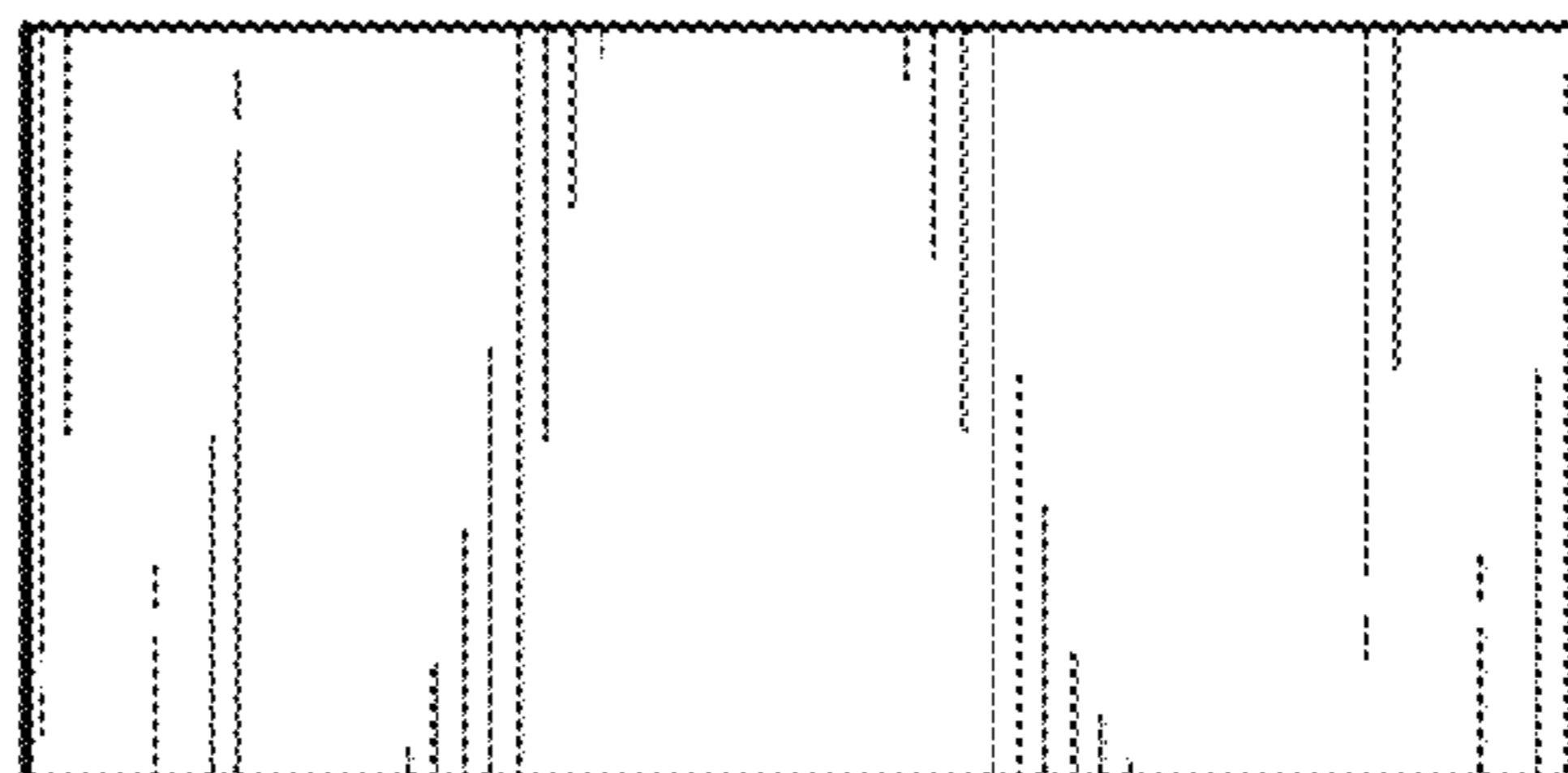


Fig. 15

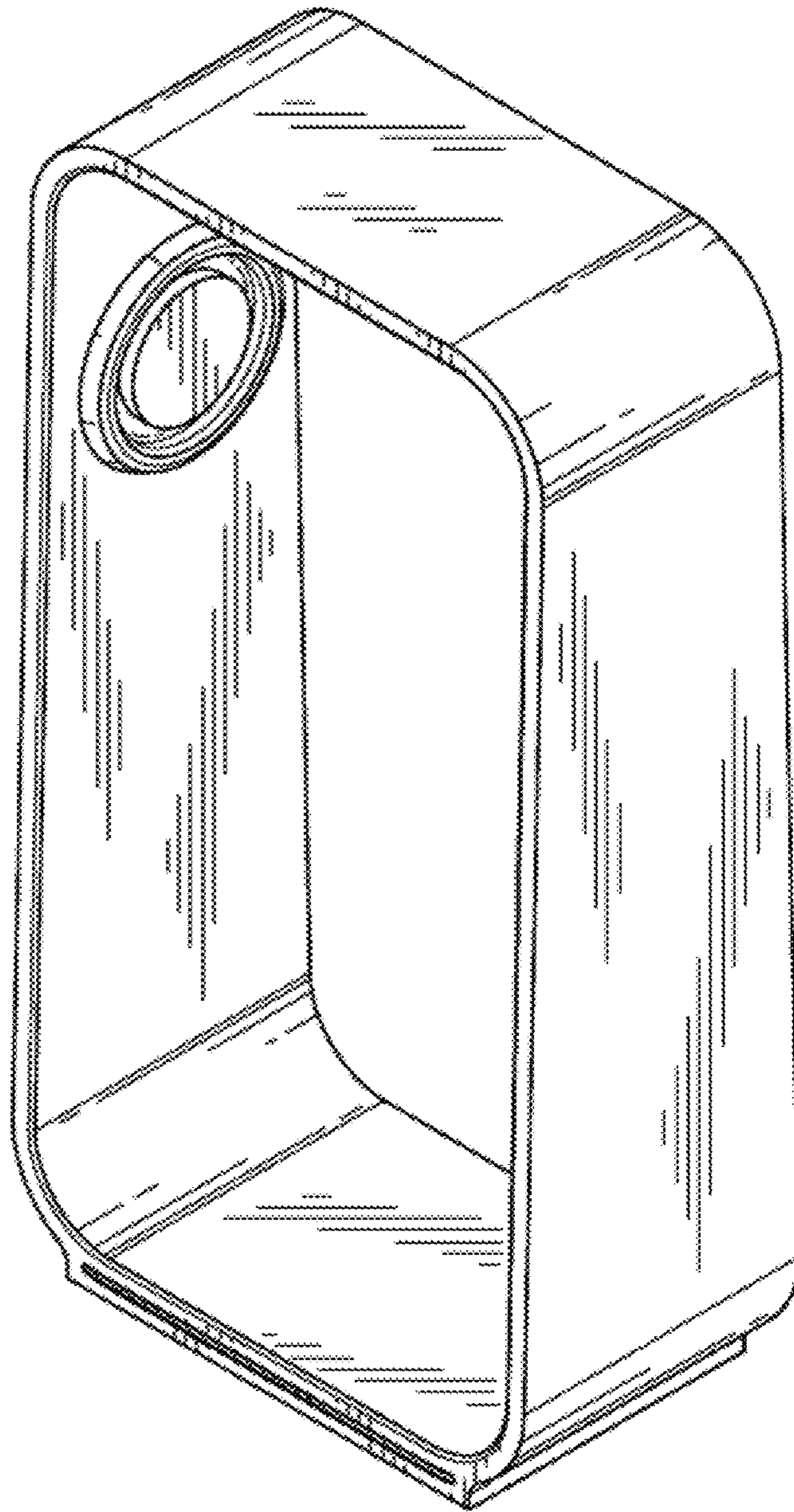


Fig. 16

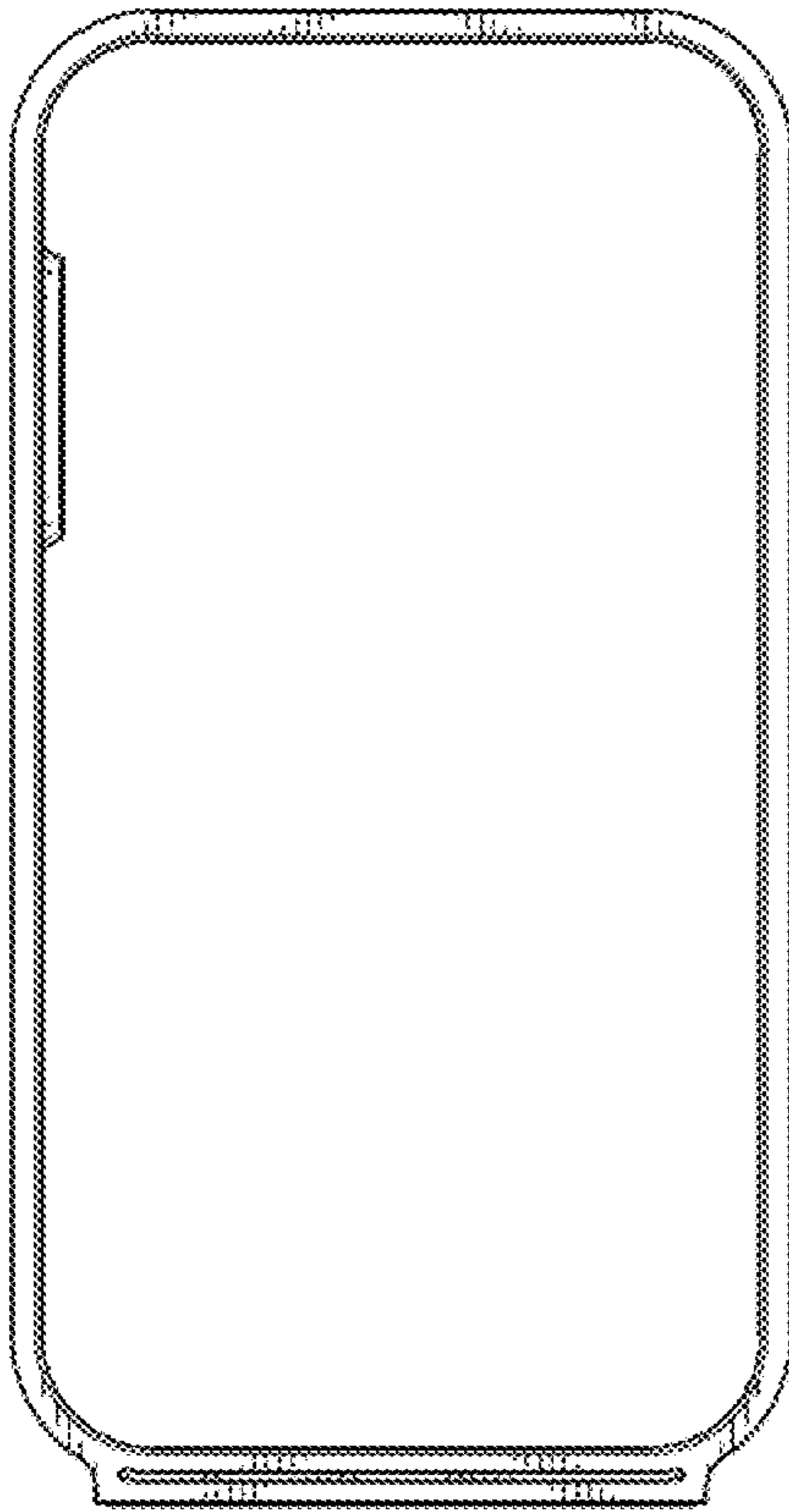


Fig. 17

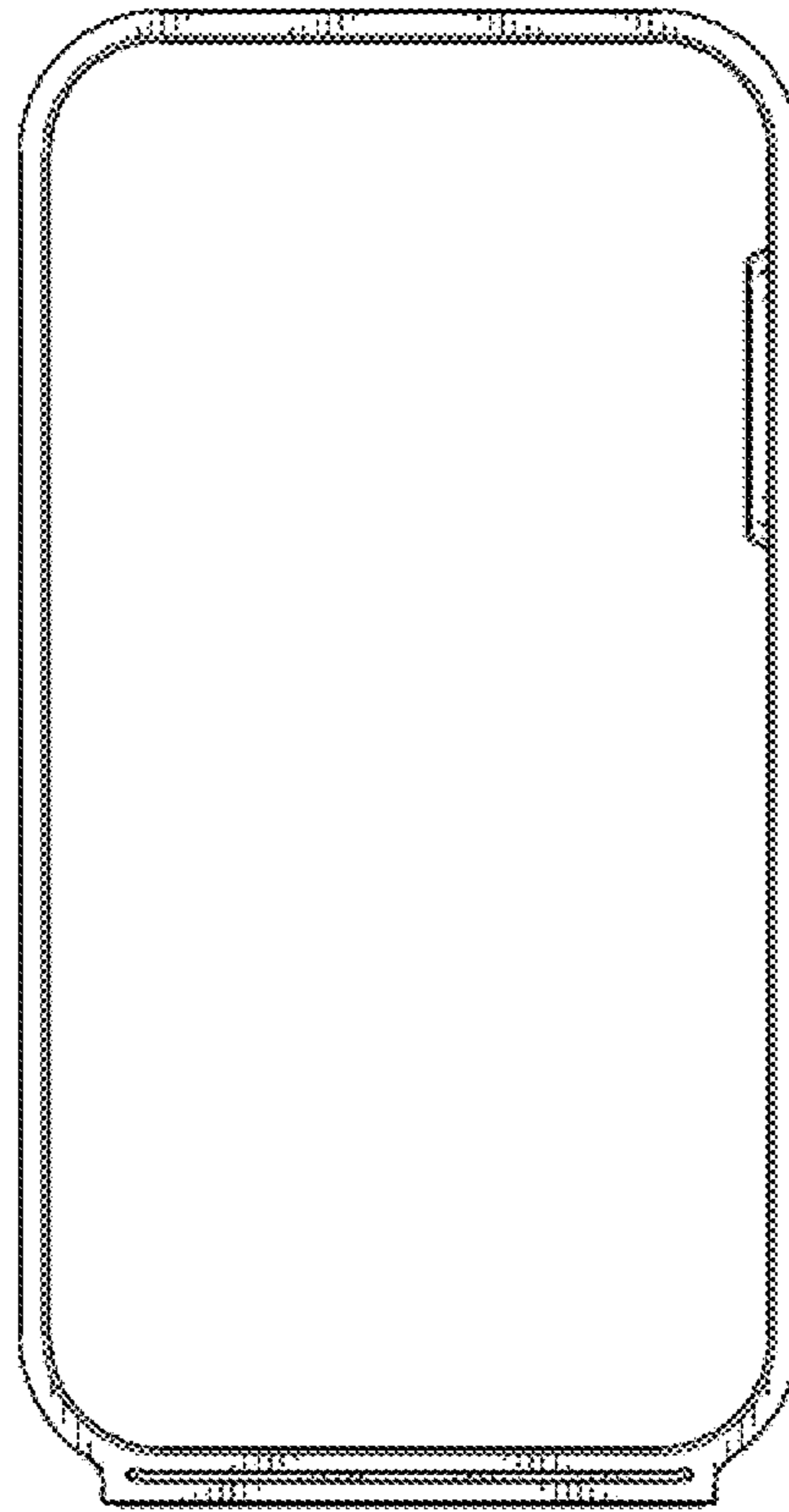


Fig. 18

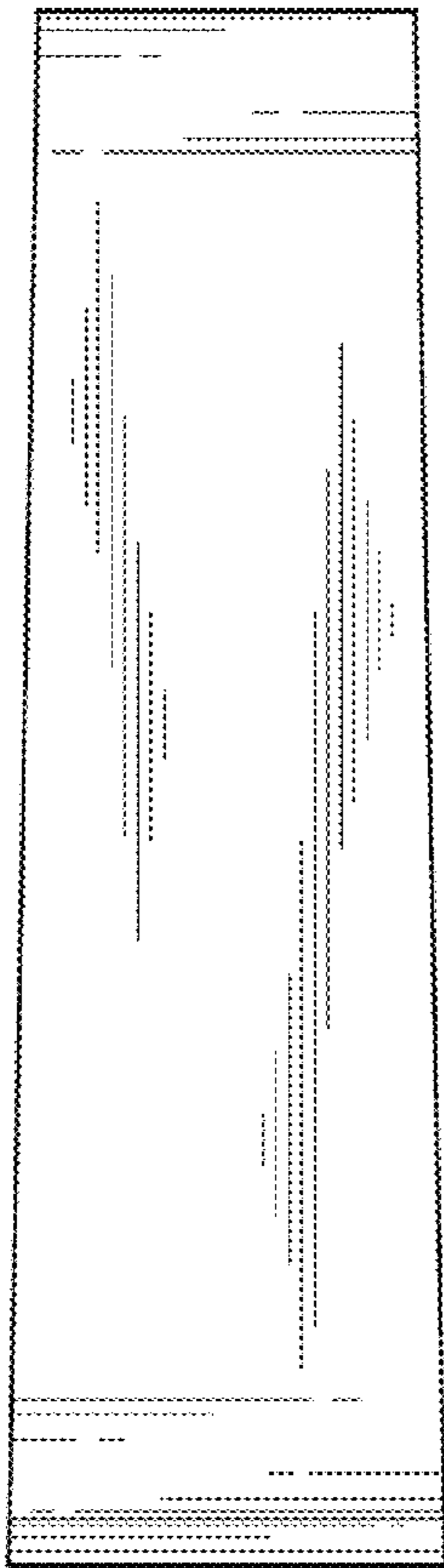


Fig. 19

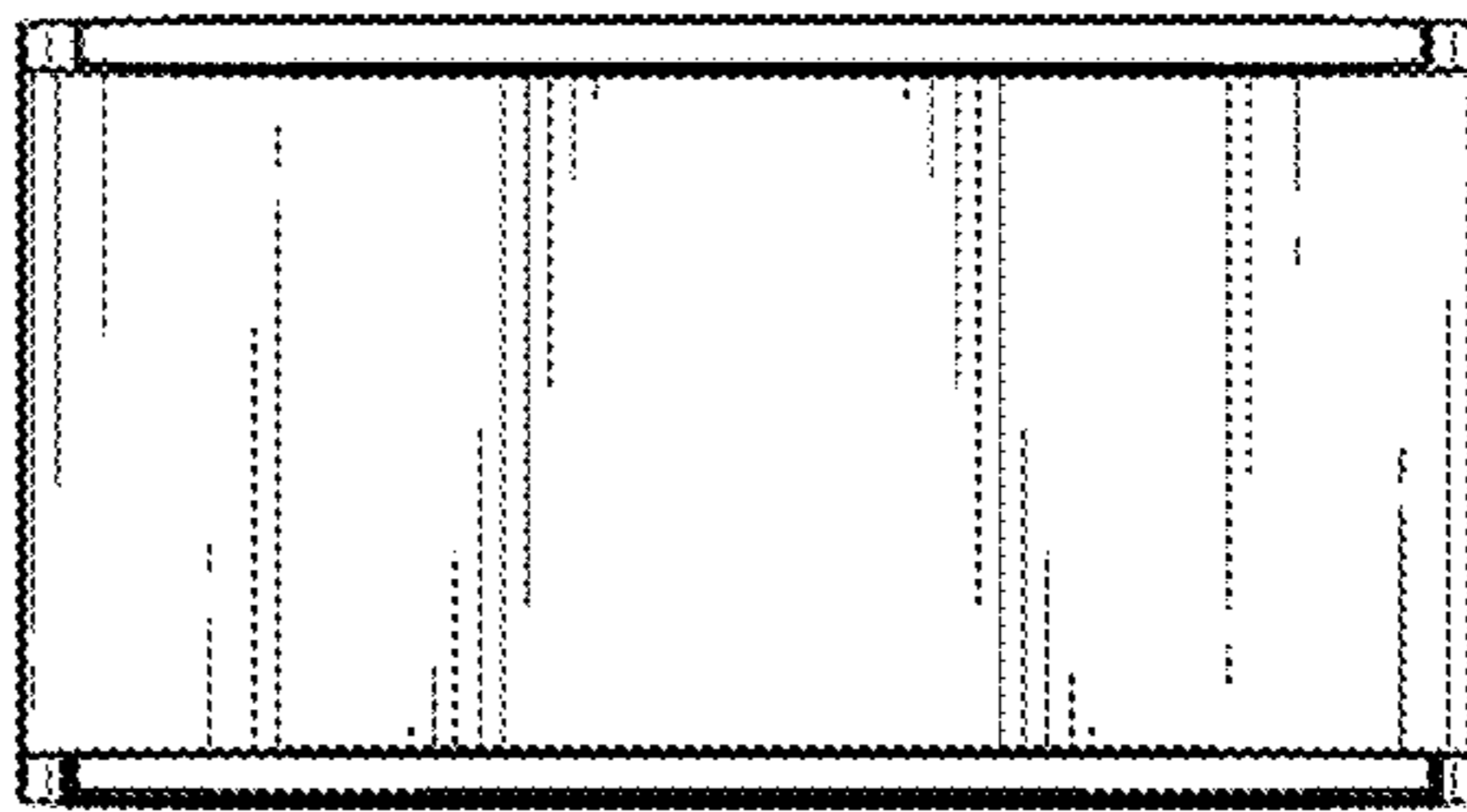


Fig. 20

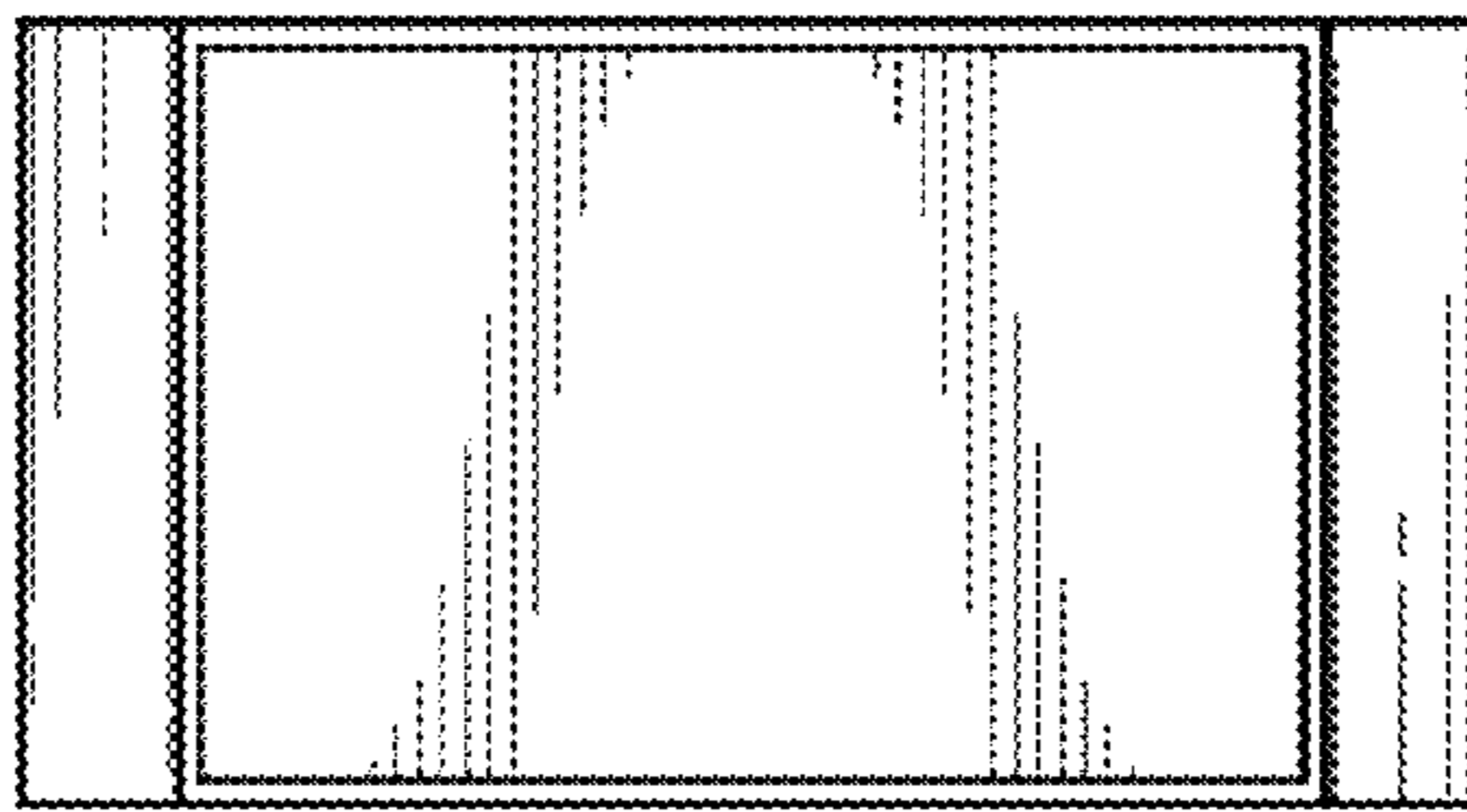


Fig. 21

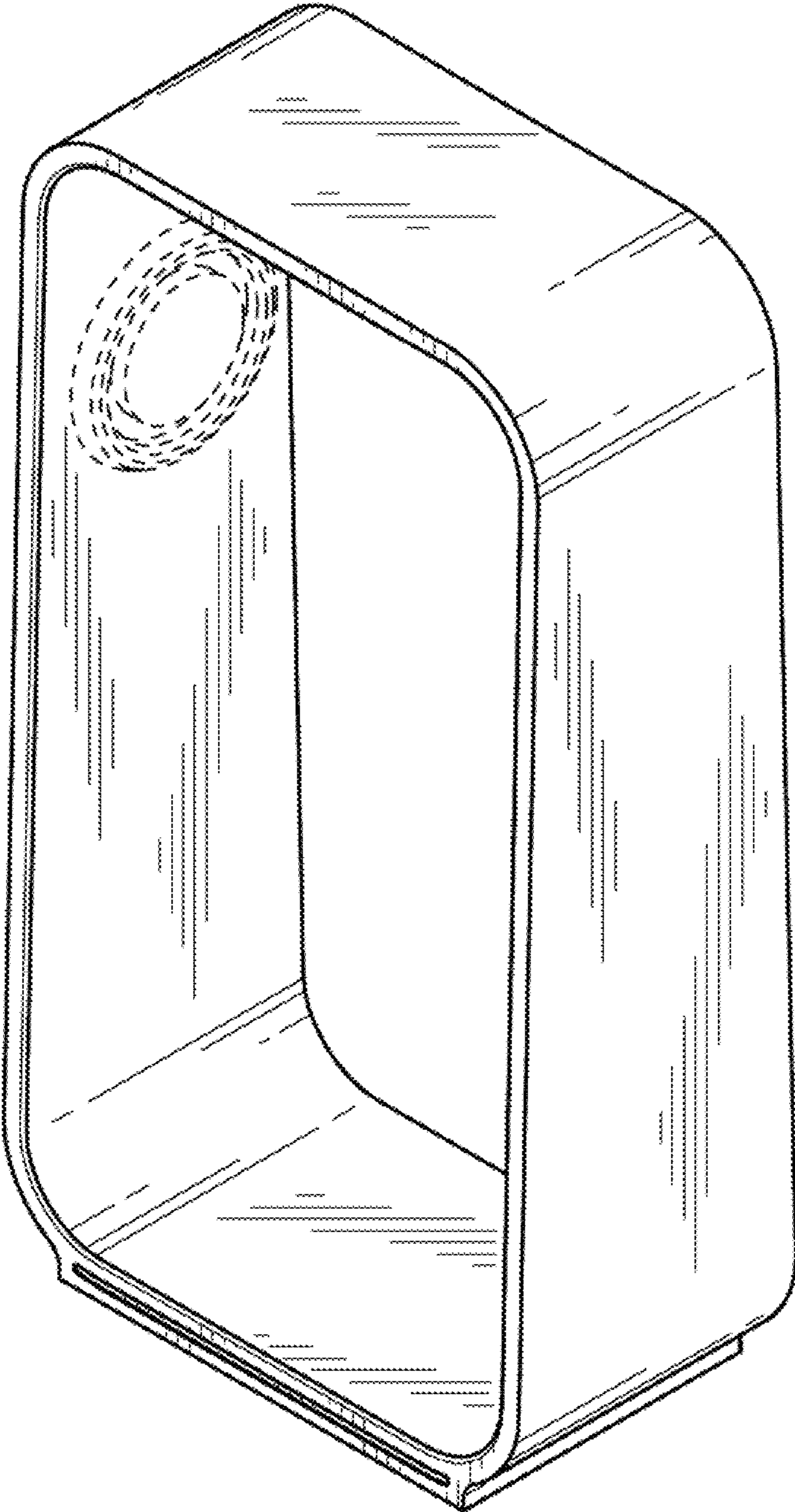


Fig. 22

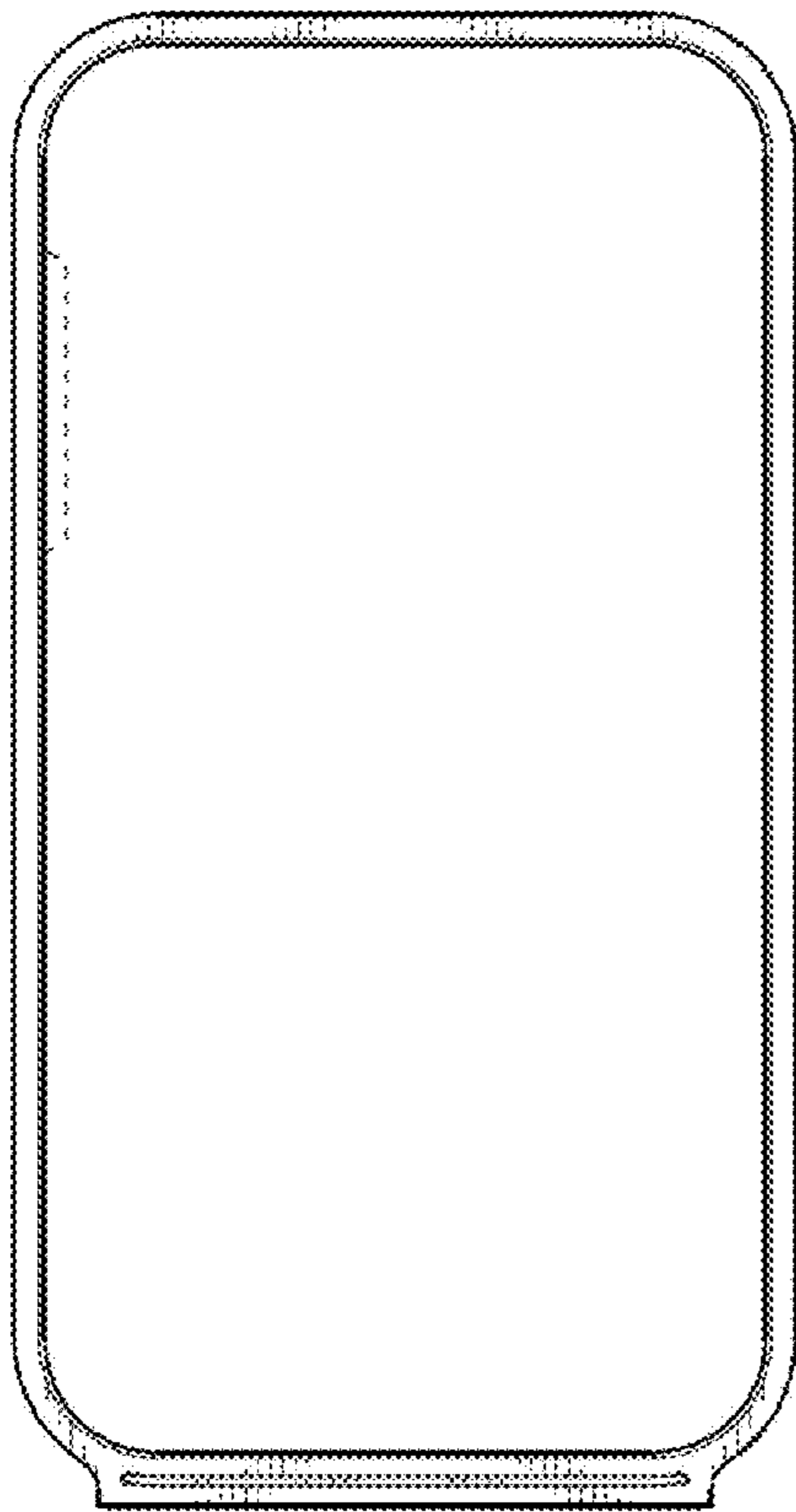


Fig. 23

