



US00D765252S

(12) **United States Design Patent** (10) **Patent No.:** **US D765,252 S**
Emeric et al. (45) **Date of Patent:** **** Aug. 30, 2016**

(54) **PORTABLE CLINICAL DIAGNOSTIC INSTRUMENT**

(71) Applicant: **Abbott Point of Care, Inc.**, Princeton, NJ (US)

(72) Inventors: **Pierre Emeric**, Princeton, NJ (US); **Sergey Gershtein**, Skillman, NJ (US); **Jaymin Patel**, Marlboro, NJ (US); **Craig Schneider**, East Windsor, NJ (US); **Narendra Soman**, Hillsborough, NJ (US)

(73) Assignee: **Abbott Point of Care Inc.**, Princeton, NJ (US)

(**) Term: **14 Years**

(21) Appl. No.: **29/523,978**

(22) Filed: **Apr. 15, 2015**

(51) **LOC (10) Cl.** **24-01**

(52) **U.S. Cl.**
USPC **D24/169**; D24/186

(58) **Field of Classification Search**
USPC D24/216, 223, 231, 232, 107, 169, 186;
D10/46, 75, 81
CPC G01N 33/66; G01N 33/49; G01N 33/493;
A61B 5/14532
See application file for complete search history.

(56) **References Cited**

U.S. PATENT DOCUMENTS

D332,833 S 1/1993 Lauks et al.
D413,537 S * 9/1999 Grossman D10/78
D557,422 S * 12/2007 Arbogast D24/186

D623,754 S * 9/2010 Tuhkanen D24/186
D630,331 S * 1/2011 Moscovita D24/169
D659,840 S * 5/2012 Cheng D24/137
D680,454 S * 4/2013 Simmons D10/78
D735,869 S * 8/2015 Marzynski D24/186
2012/0100601 A1* 4/2012 Simmons A61B 5/14532
435/287.7
2014/0172316 A1 6/2014 Vandersleen et al.

* cited by examiner

Primary Examiner — Anhdao Doan

(57) **CLAIM**

The ornamental design for a portable clinical diagnostic instrument, as shown and described.

DESCRIPTION

FIG. 1 is a front, top perspective view of a portable clinical diagnostic instrument showing our new design;

FIG. 2 is a top view thereof;

FIG. 3 is a back view thereof;

FIG. 4 is a front view thereof;

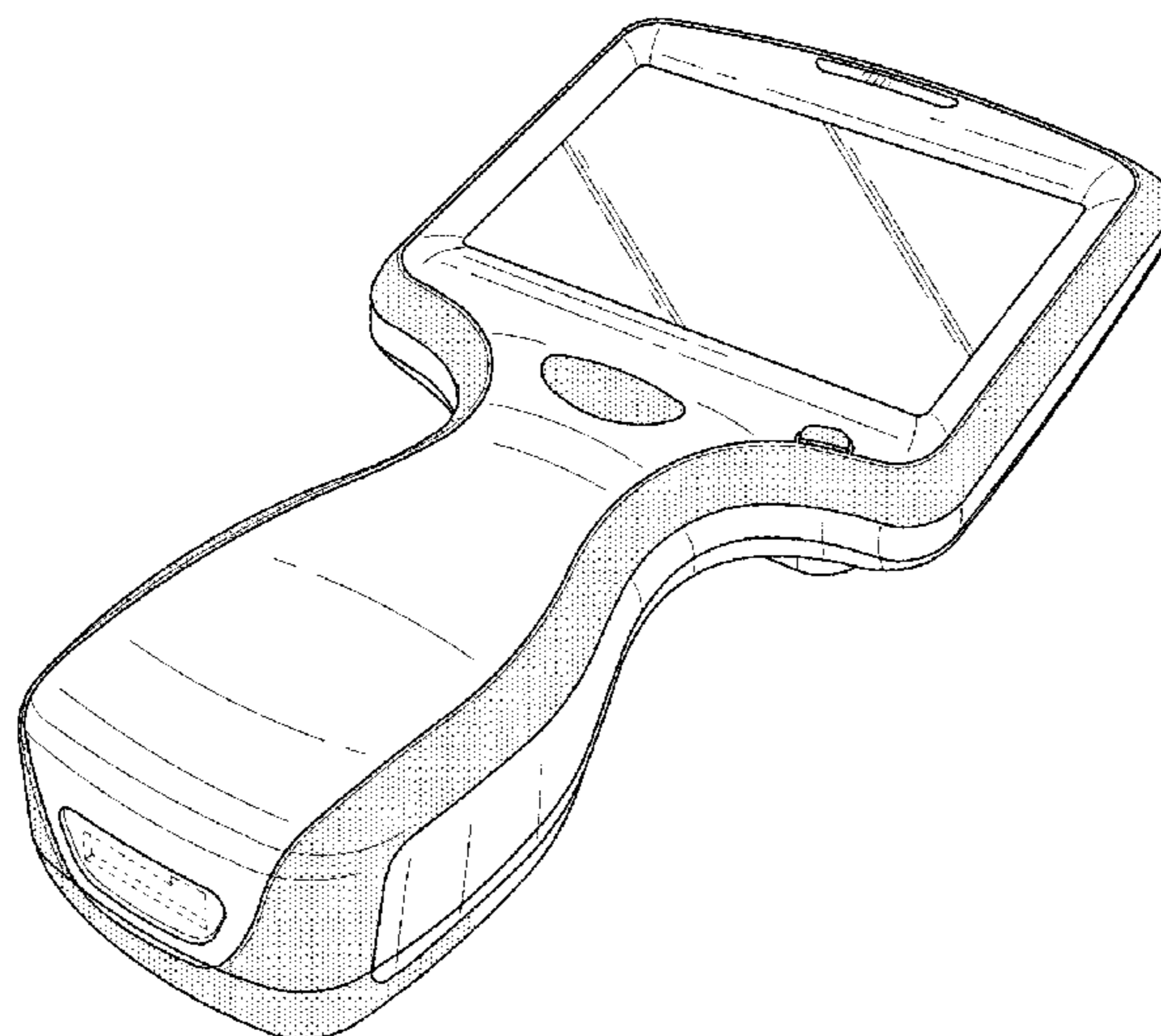
FIG. 5 is a right side view thereof;

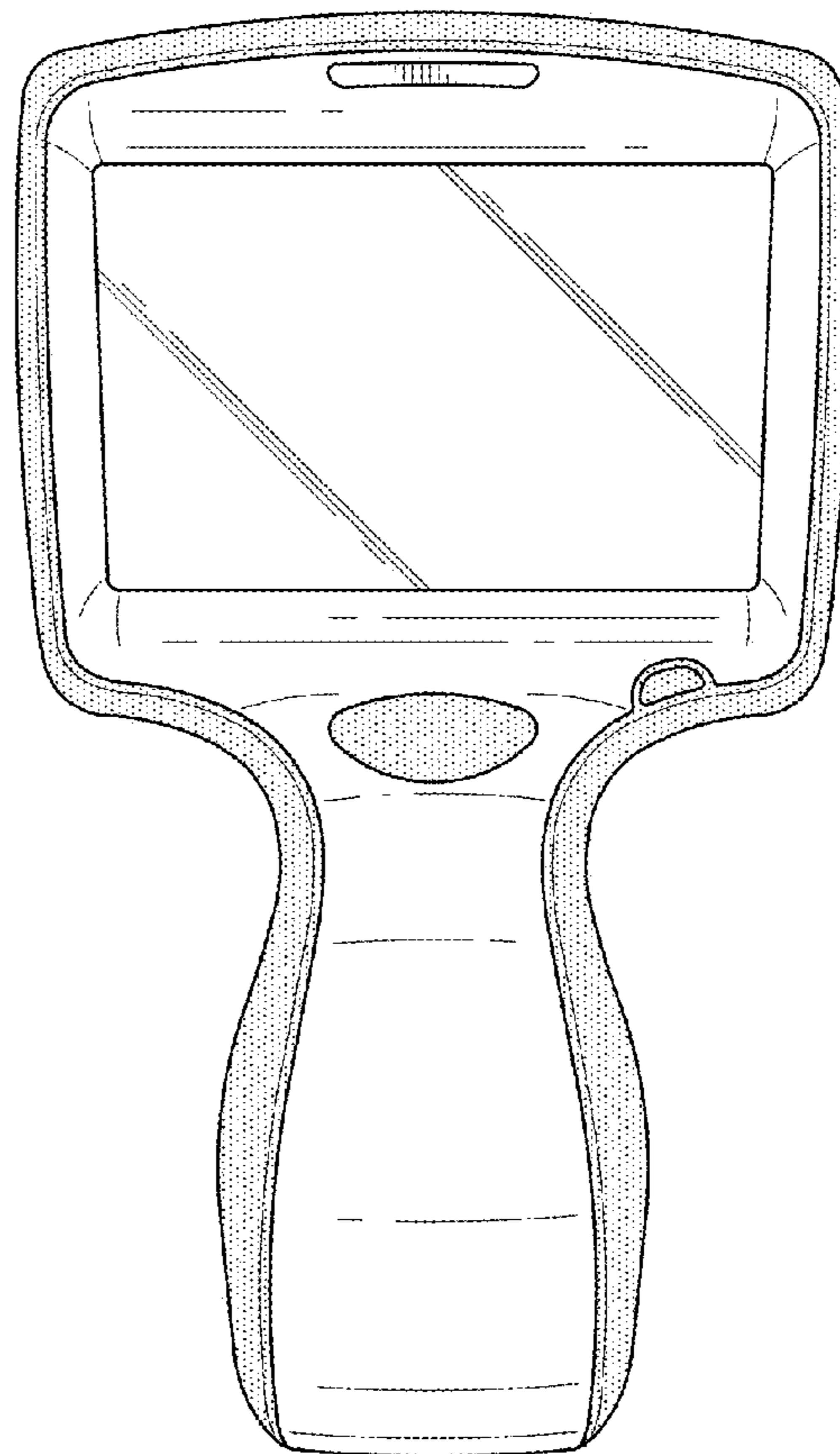
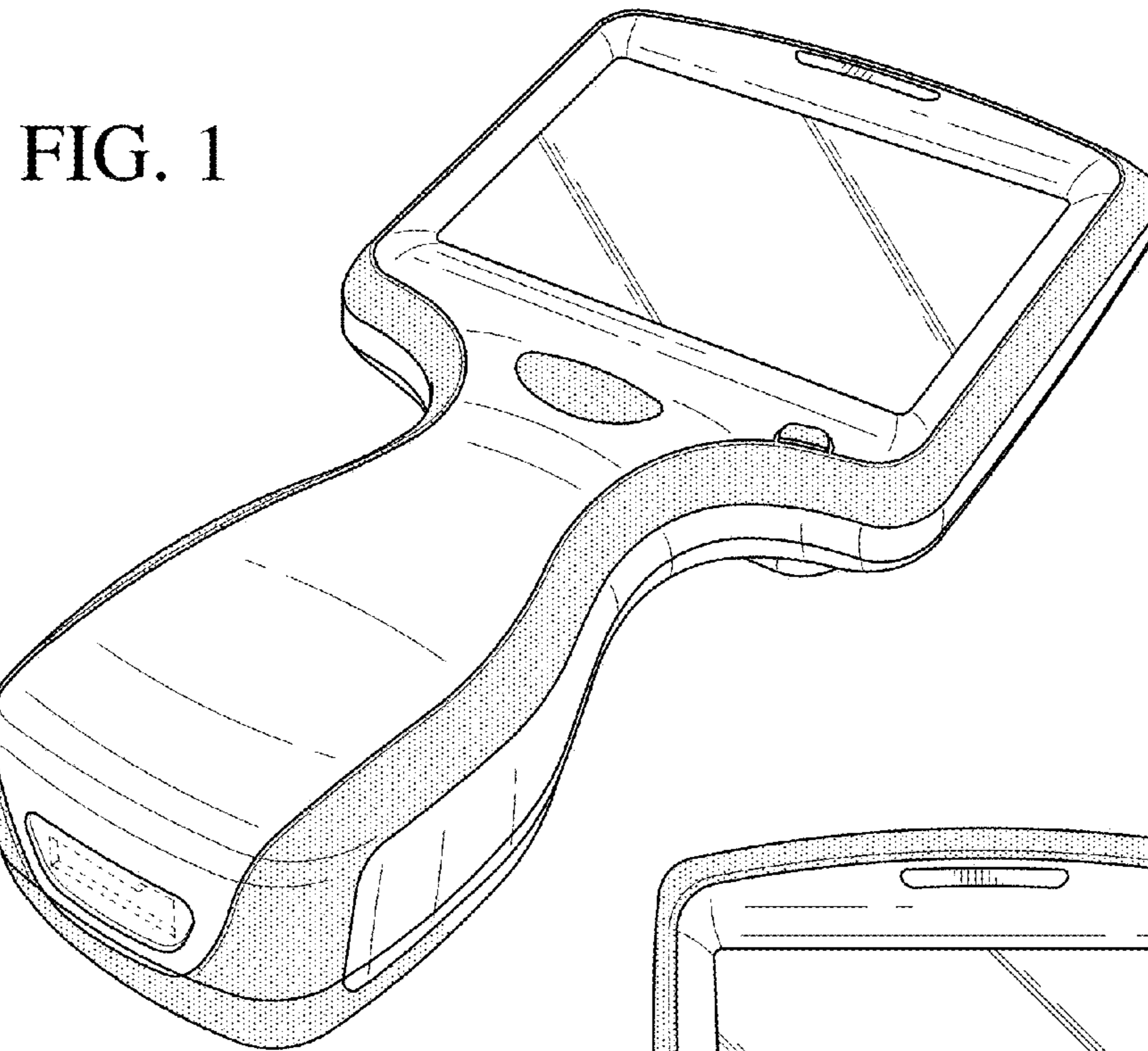
FIG. 6 is a left side view thereof; and,

FIG. 7 is a bottom view thereof.

The broken lines are environmental and form no part of the claimed design.

1 Claim, 4 Drawing Sheets





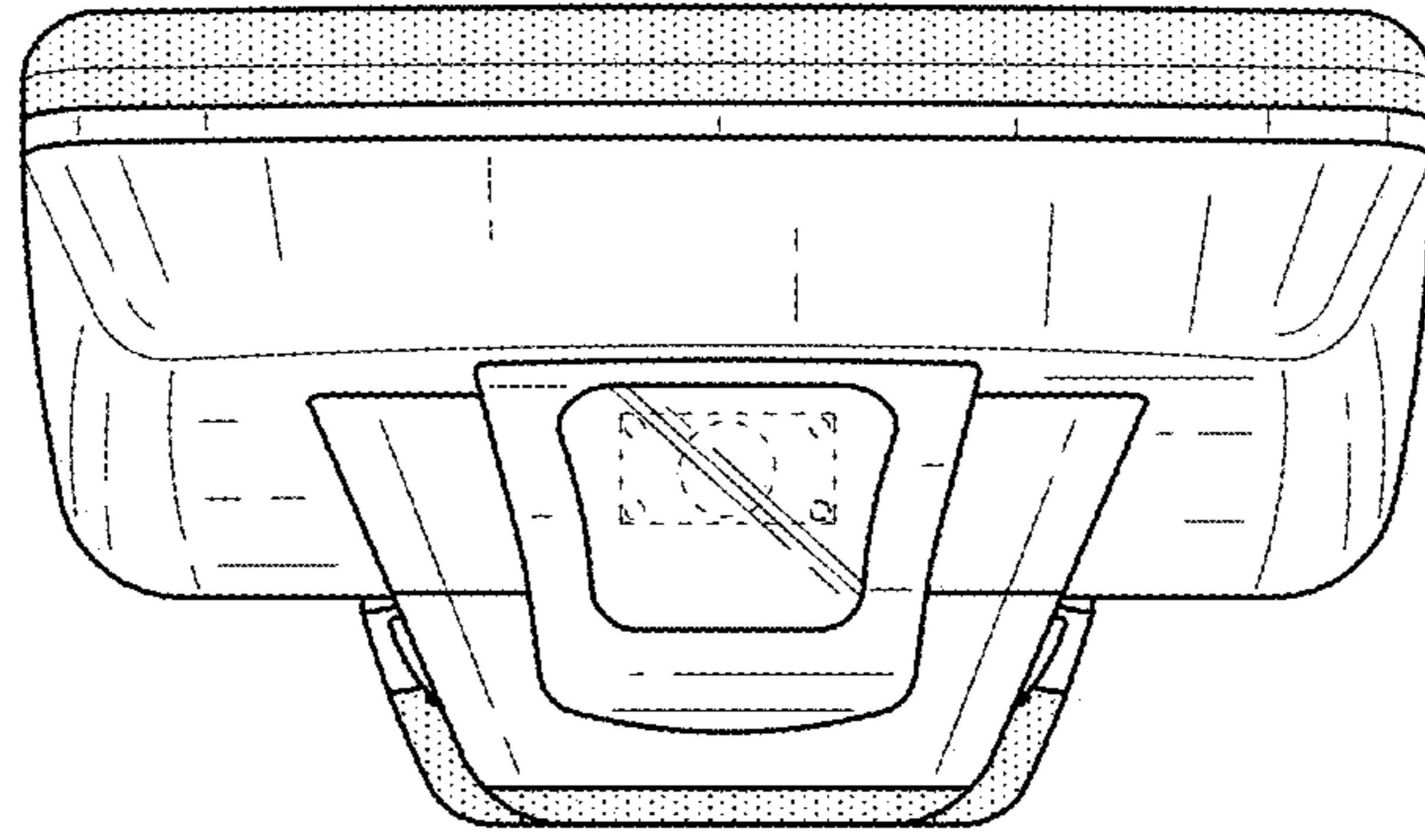


FIG. 3

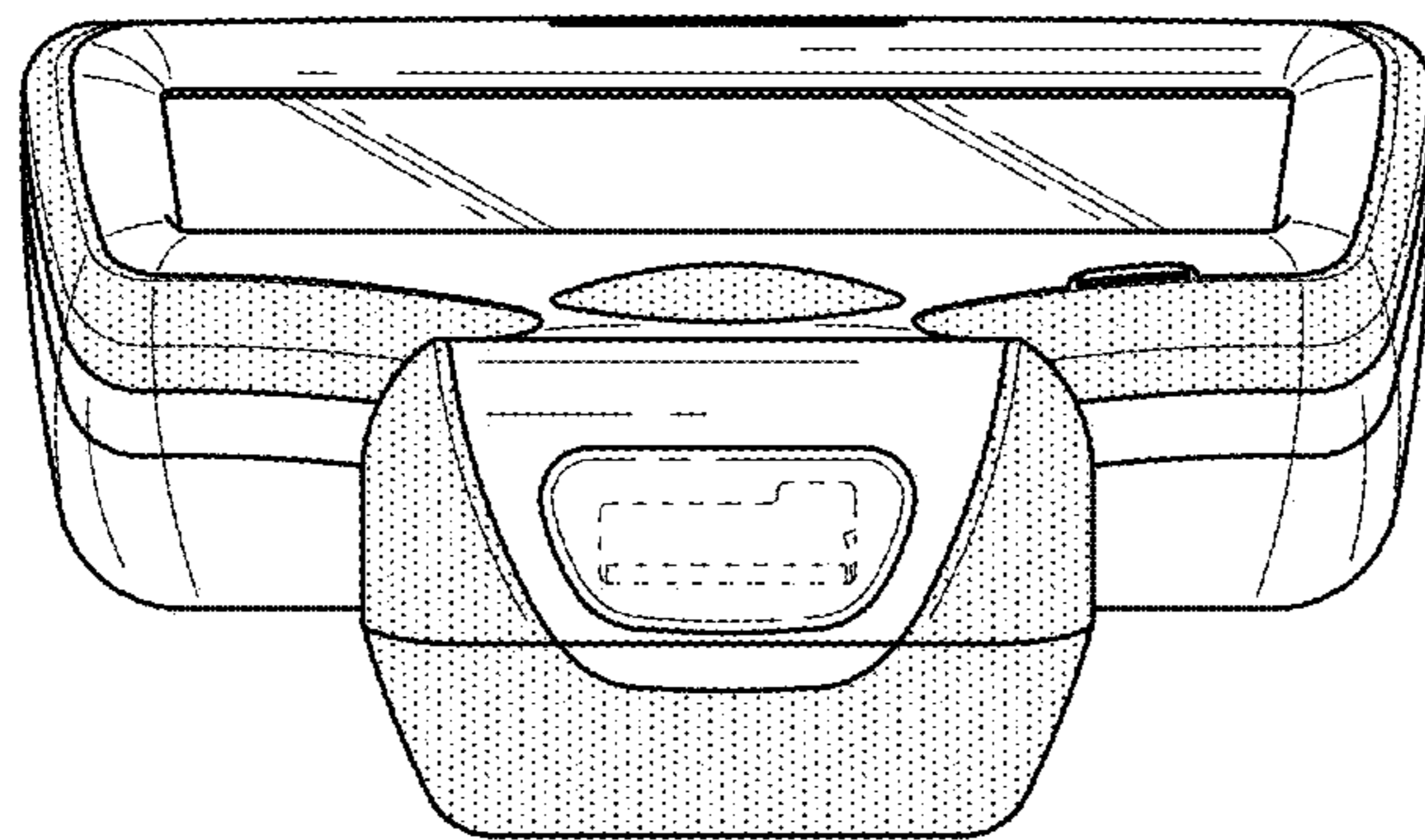


FIG. 4

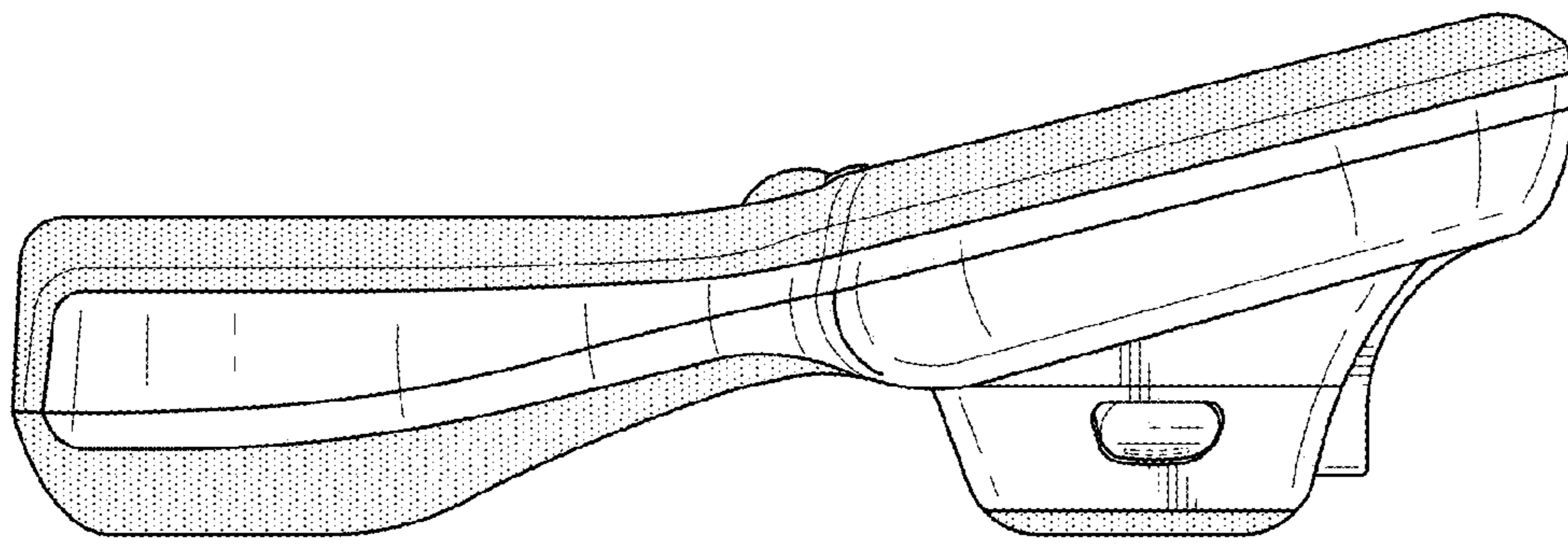


FIG. 5

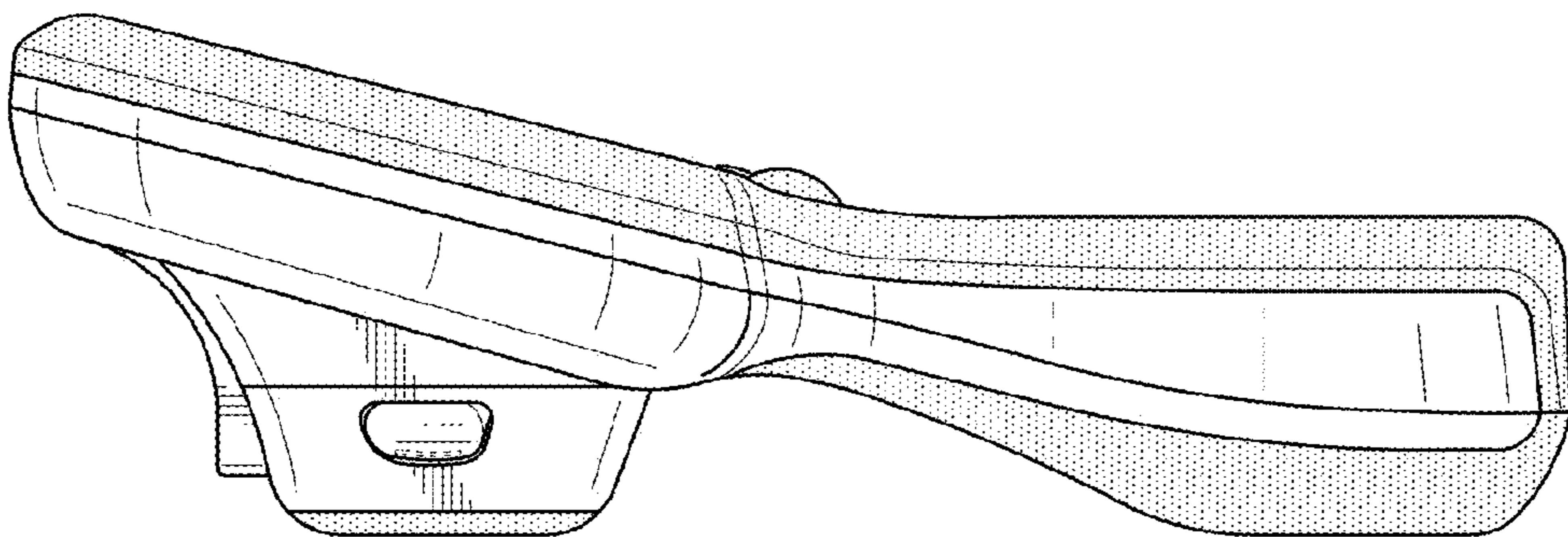


FIG. 6

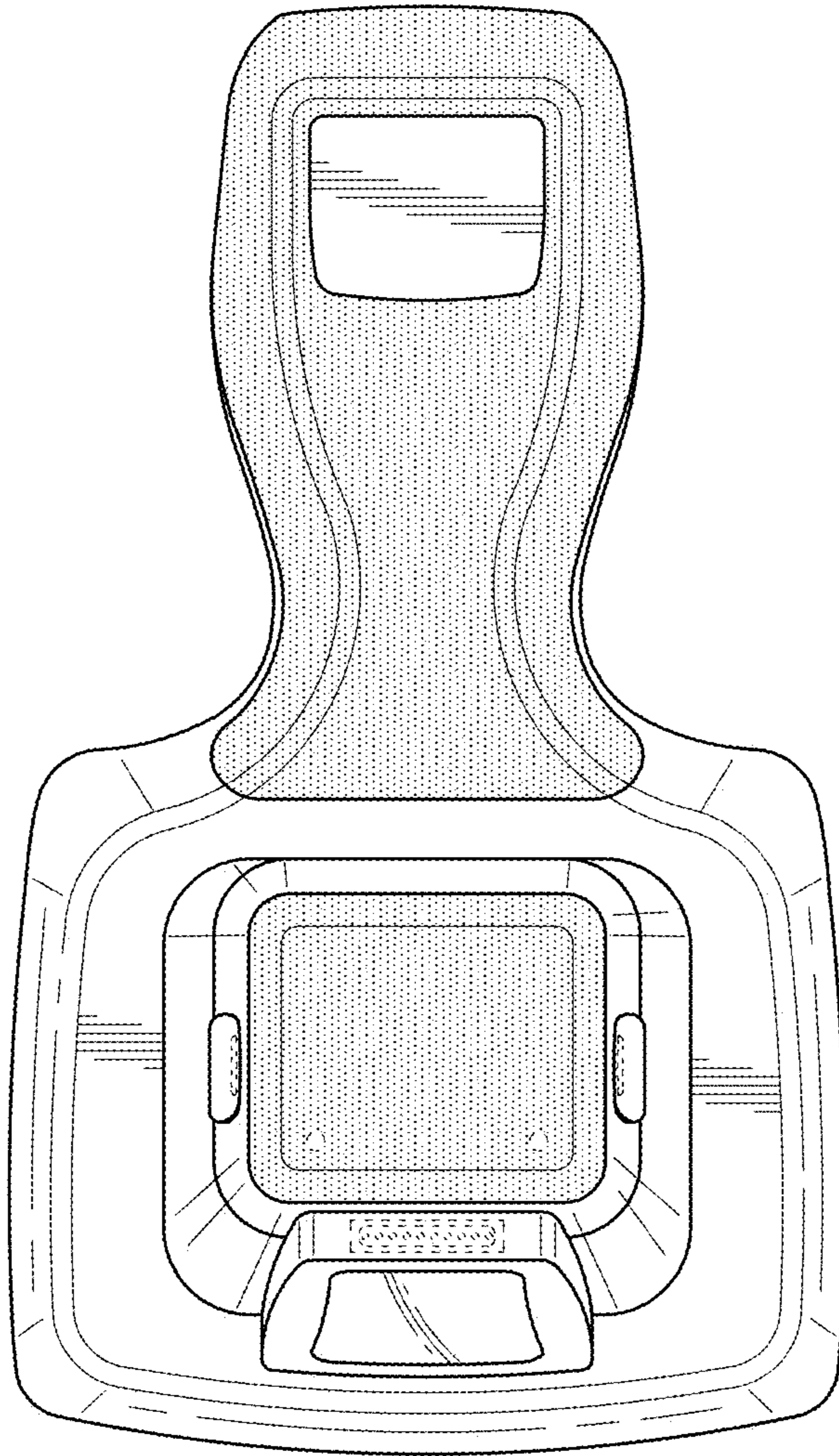


FIG. 7