

US00D765251S

(12) **United States Design Patent** (10) **Patent No.:** **US D765,251 S**  
**Boegel et al.** (45) **Date of Patent:** **\*\* Aug. 30, 2016**

(54) **RADIOGRAPHY AND FLUOROSCOPY SYSTEM**

(71) Applicant: **SIEMENS AKTIENGESELLSCHAFT**, Munich (DE)

(72) Inventors: **Richard Max Boegel**, Nuremberg (DE); **Franziska Dinse**, Heiligenstadt (DE); **Mate Koroknai**, Fuerth (DE); **Christoph Tomczak**, Erlangen (DE); **Gerben Ten Cate**, Forchheim (DE)

(73) Assignee: **Siemens Aktiengesellschaft**, Munich (DE)

(\*\*) Term: **14 Years**

(21) Appl. No.: **29/522,780**

(22) Filed: **Apr. 2, 2015**

(30) **Foreign Application Priority Data**

Oct. 2, 2014 (EM) ..... 001424287

(51) **LOC (10) Cl.** ..... **24-01**

(52) **U.S. Cl.**  
USPC ..... **D24/158**

(58) **Field of Classification Search**  
USPC ..... D24/158-161, 231; 378/28, 42, 44, 64, 378/68  
CPC A61B 6/4435; A61B 6/4464; A61B 6/4476; A61B 6/447; A61B 6/547; A61B 6/587  
See application file for complete search history.

(56) **References Cited**

**U.S. PATENT DOCUMENTS**

6,282,264 B1 \* 8/2001 Smith ..... A61B 6/0457 378/167  
D554,755 S \* 11/2007 Iwasaki ..... D24/158  
D624,186 S \* 9/2010 Youn ..... D24/158  
D683,021 S \* 5/2013 Moon ..... D24/158

(Continued)

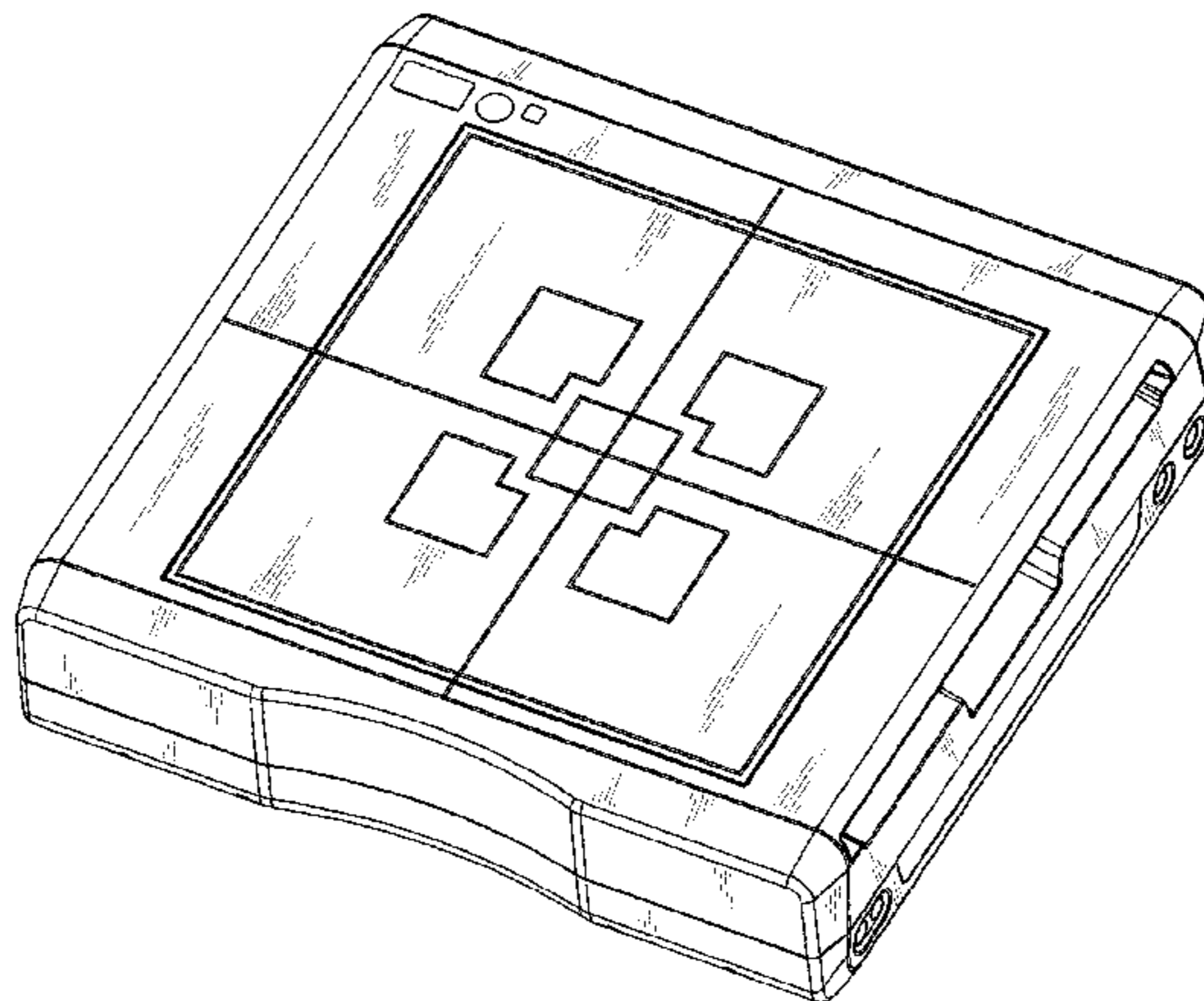
*Primary Examiner* — Anhdao Doan  
(74) *Attorney, Agent, or Firm* — Laurence Greenberg; Werner Stemer; Ralph Locher

(57) **CLAIM**  
The ornamental design for a radiography and fluoroscopy system, as shown and described.

**DESCRIPTION**

FIG. 1 is a front elevation view of the radiography and fluoroscopy system showing my new invention; FIG. 2 is a rear elevation view thereof; FIG. 3 is a top plan view thereof; FIG. 4 is a bottom plan view thereof; FIG. 5 is a right elevation view thereof; FIG. 6 is a left elevation view thereof; FIG. 7 is a perspective view thereof; FIG. 8 is a front elevation view of the radiography and fluoroscopy system showing my new invention with handles partly folded out; FIG. 9 is a rear elevation view thereof; FIG. 10 is a top plan view thereof; FIG. 11 is a bottom plan view thereof; FIG. 12 is a right elevation view thereof; FIG. 13 is a left elevation view thereof; FIG. 14 is a perspective view thereof; FIG. 15 is a front elevation view of the radiography and fluoroscopy system showing my new invention with the handles full extended; FIG. 16 is a rear elevation view thereof; FIG. 17 is a top plan view thereof; FIG. 18 is a bottom plan view thereof; FIG. 19 is a right elevation view thereof; FIG. 20 is a left elevation view thereof; and, FIG. 21 is a perspective view thereof. The broken lines in the drawings are for illustrating portions of the radiography and fluoroscopy that form no part of the claimed design; the broken lines form no part of the claimed design.

**1 Claim, 21 Drawing Sheets**



# US D765,251 S

Page 2

---

(56)

## References Cited

### U.S. PATENT DOCUMENTS

D710,013 S \* 7/2014 Li ..... D24/158  
D715,938 S \* 10/2014 Li ..... D24/158  
D715,941 S \* 10/2014 Li ..... D24/158

2010/0232574 A1\* 9/2010 Ahn ..... A61B 6/447  
378/167  
2014/0003585 A1\* 1/2014 Ling ..... A61B 6/447  
378/197

\* cited by examiner

FIG 1

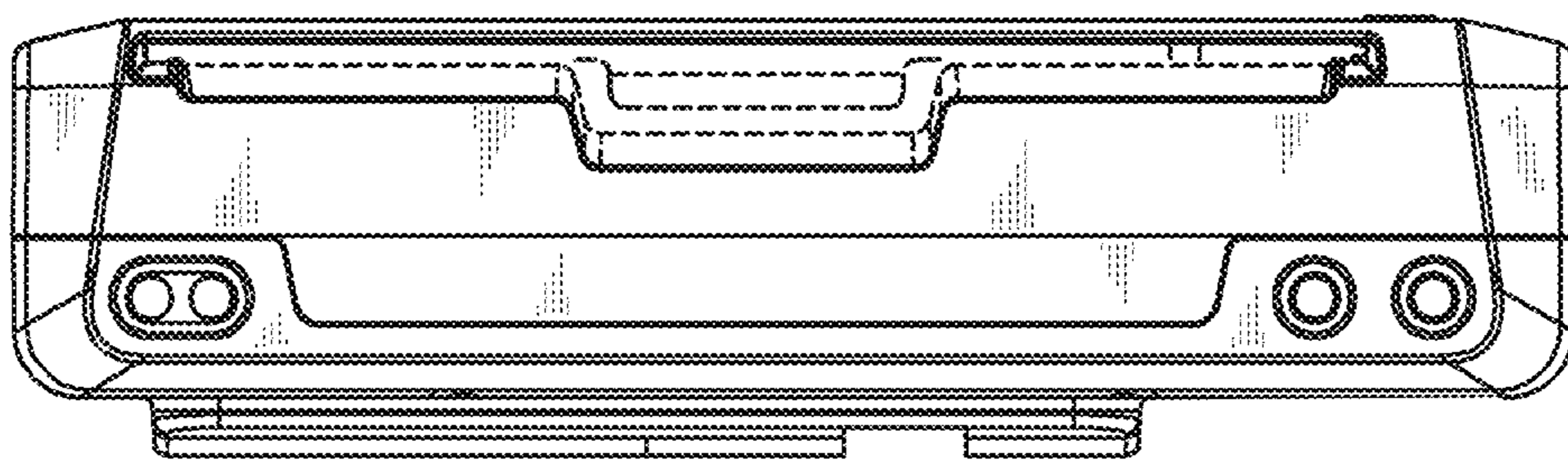


FIG 2

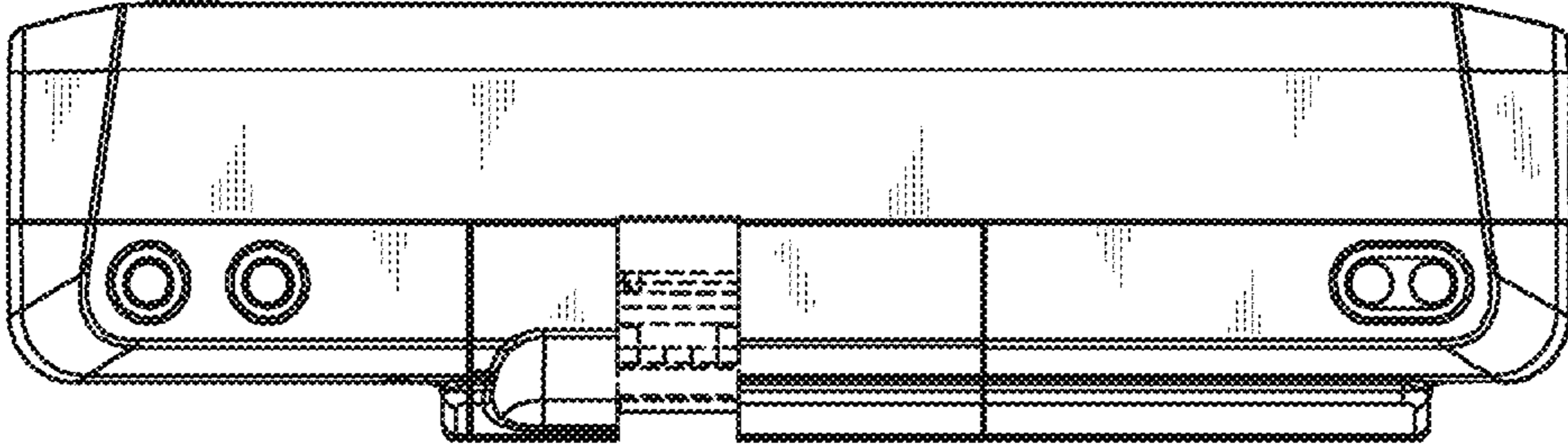


FIG. 3

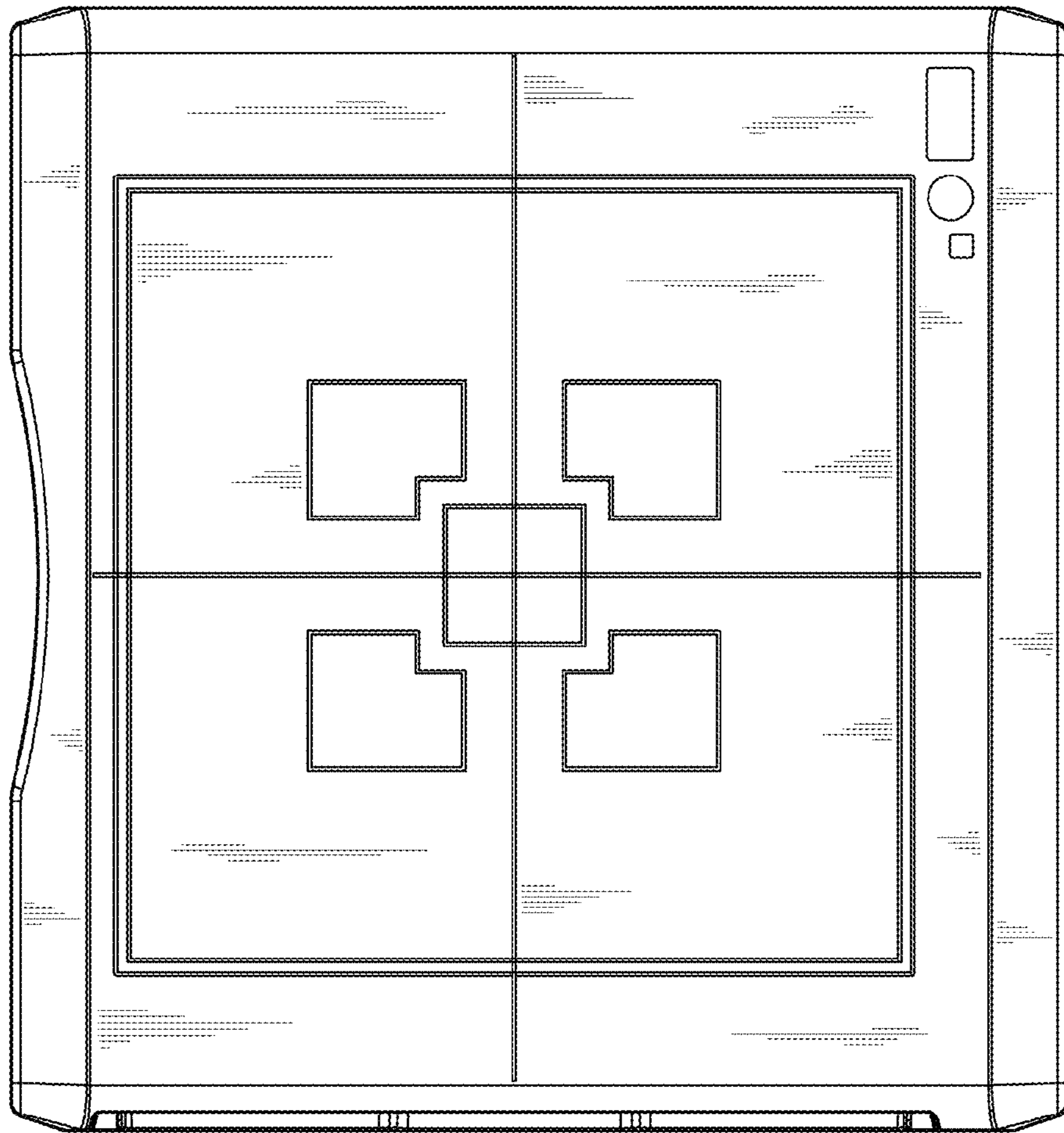


FIG 4

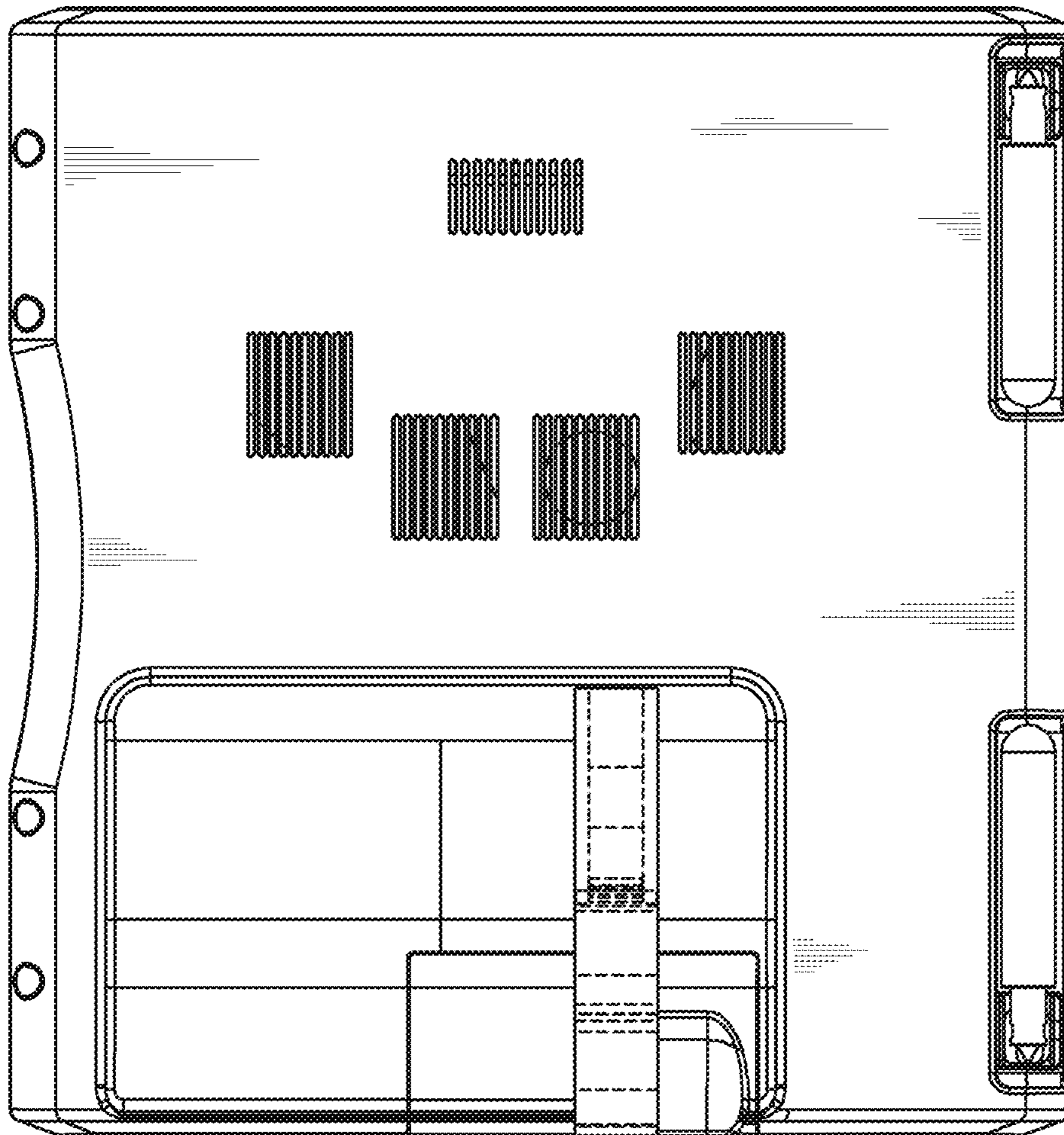


FIG. 5

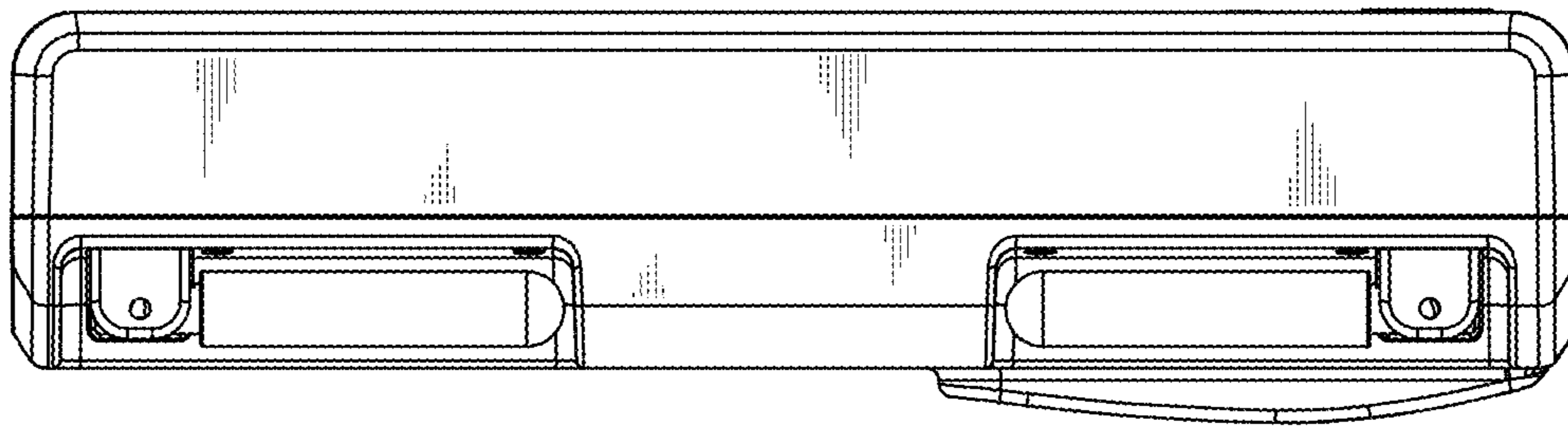


FIG. 6

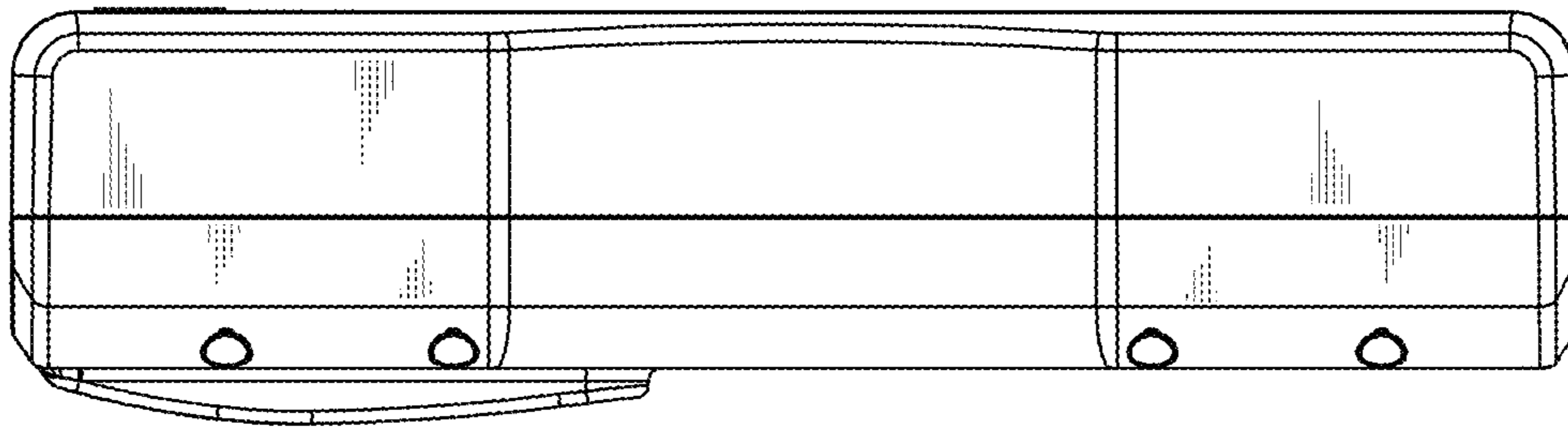




FIG. 7

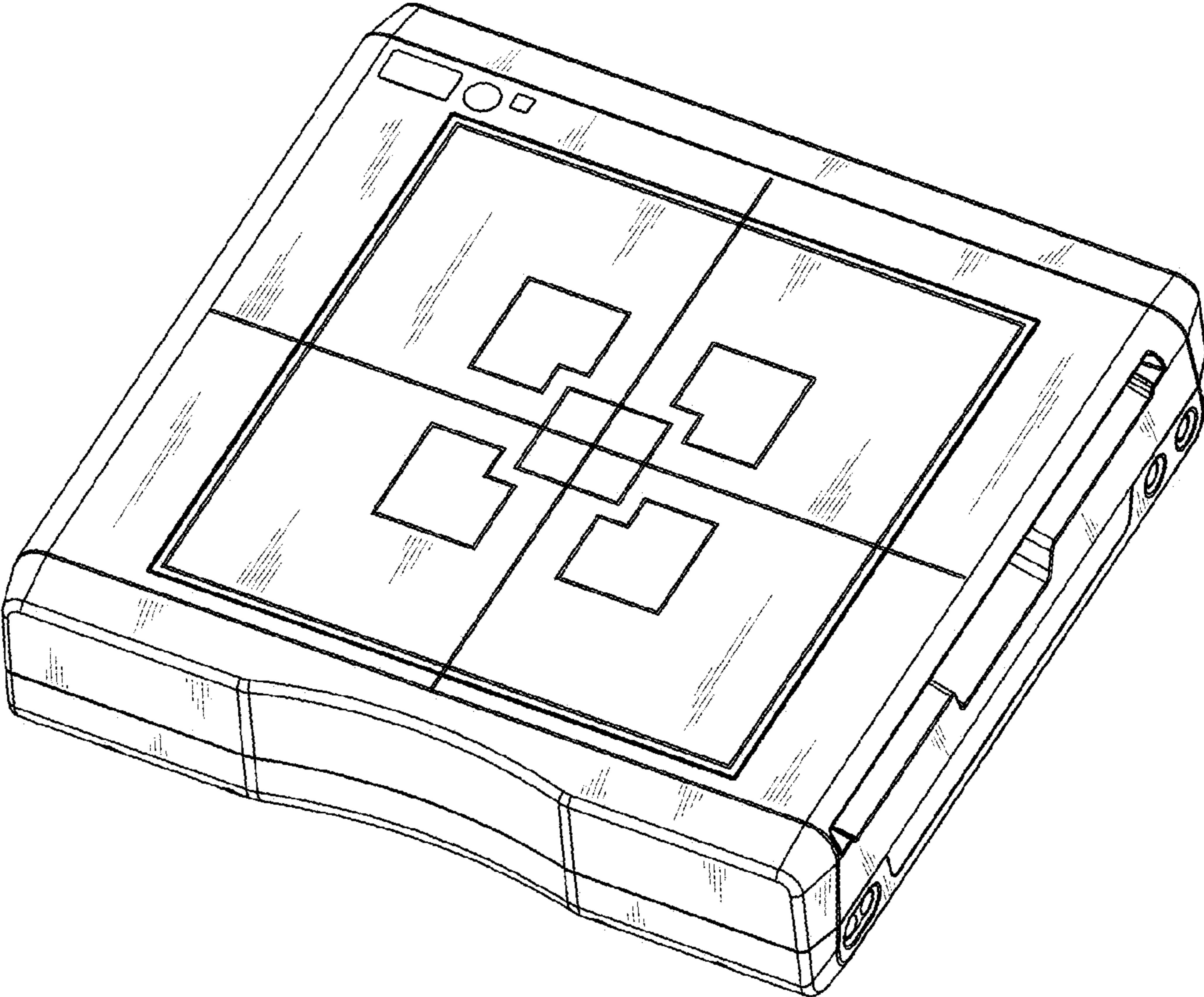


FIG 8

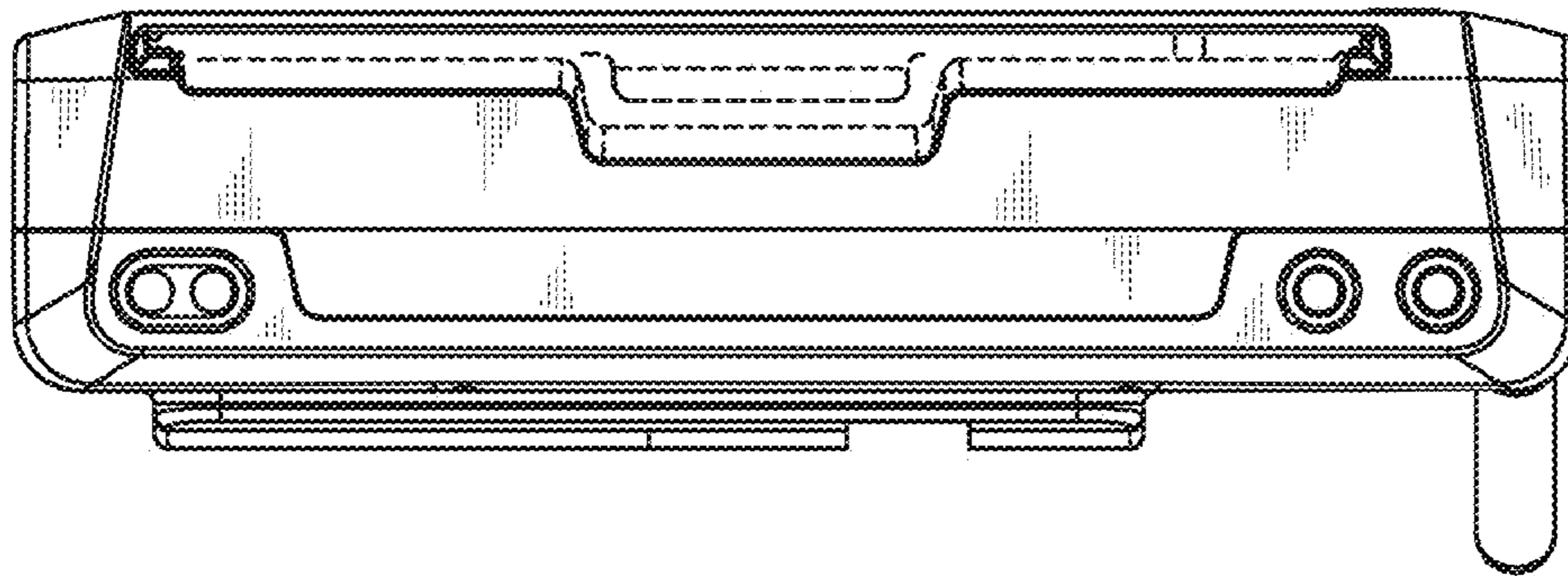


FIG 9

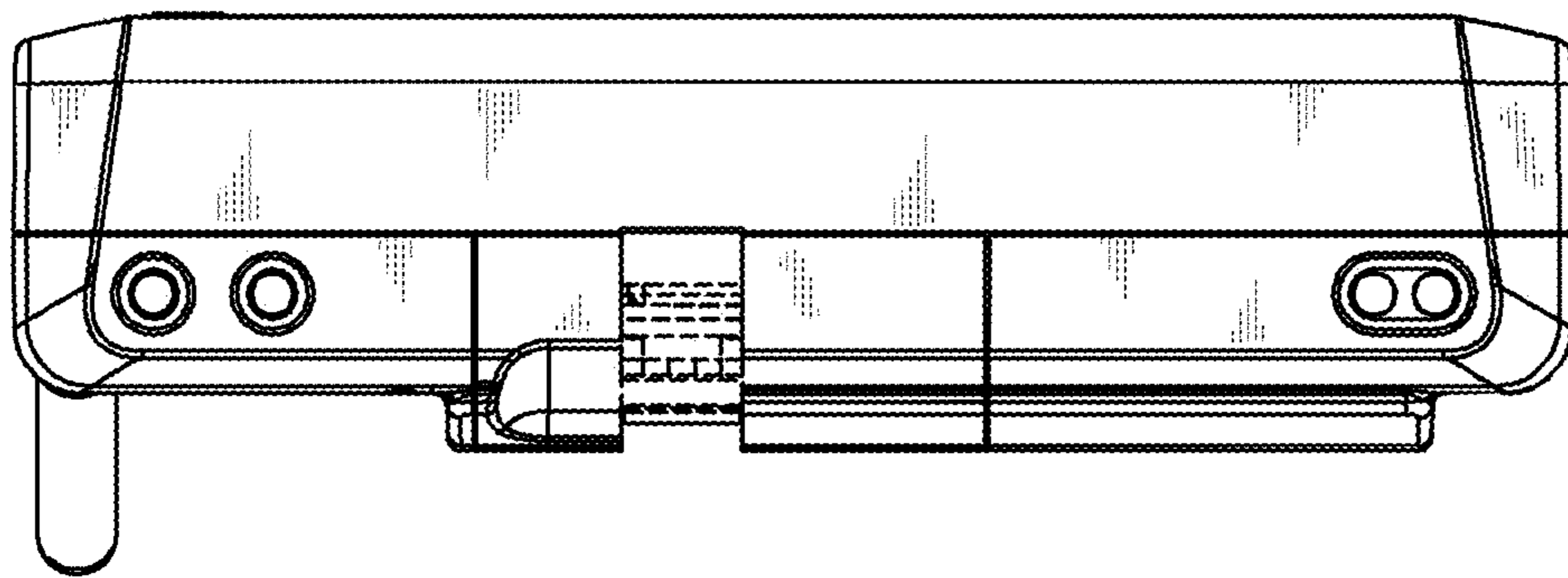


FIG. 10

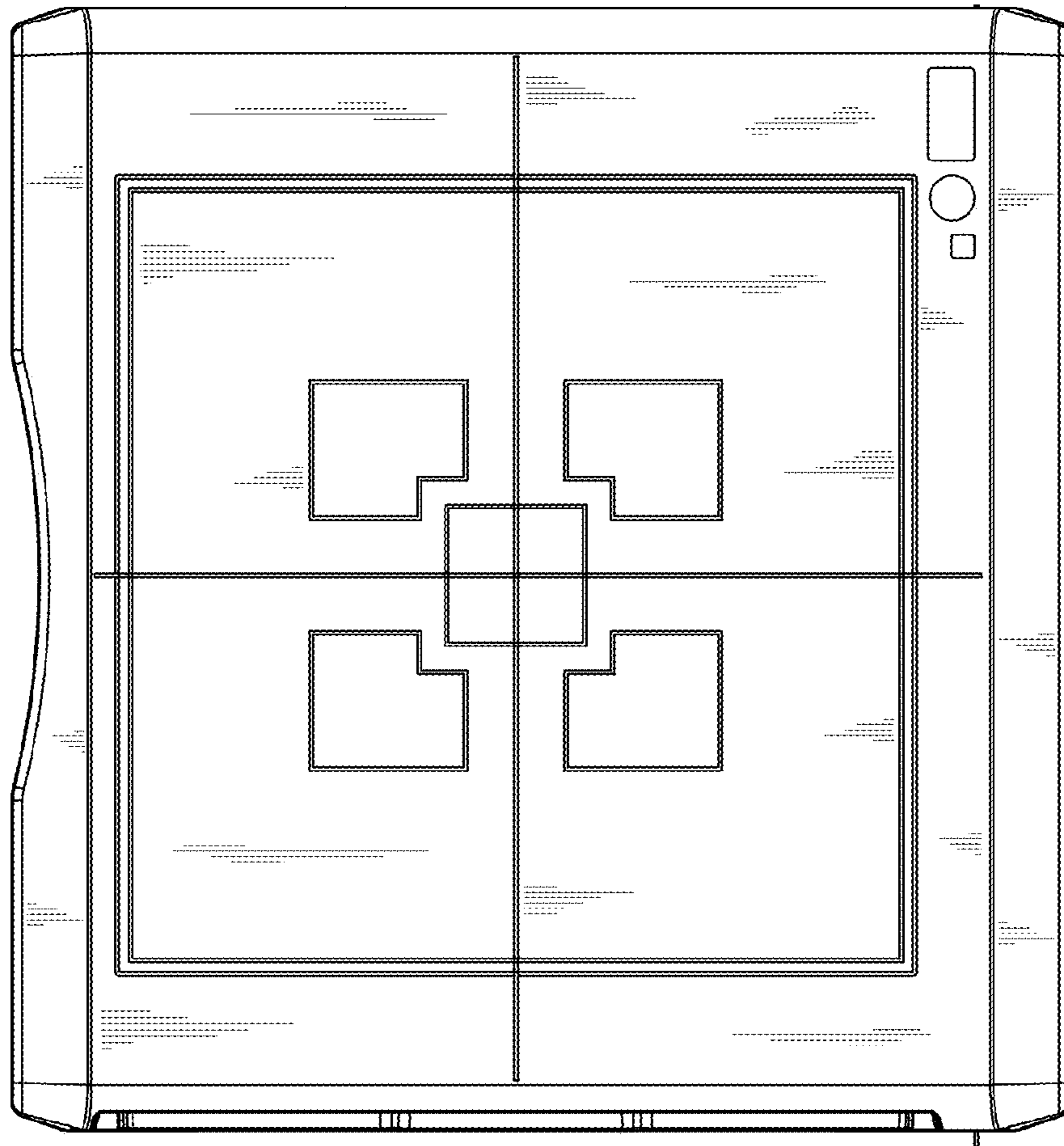


FIG 11

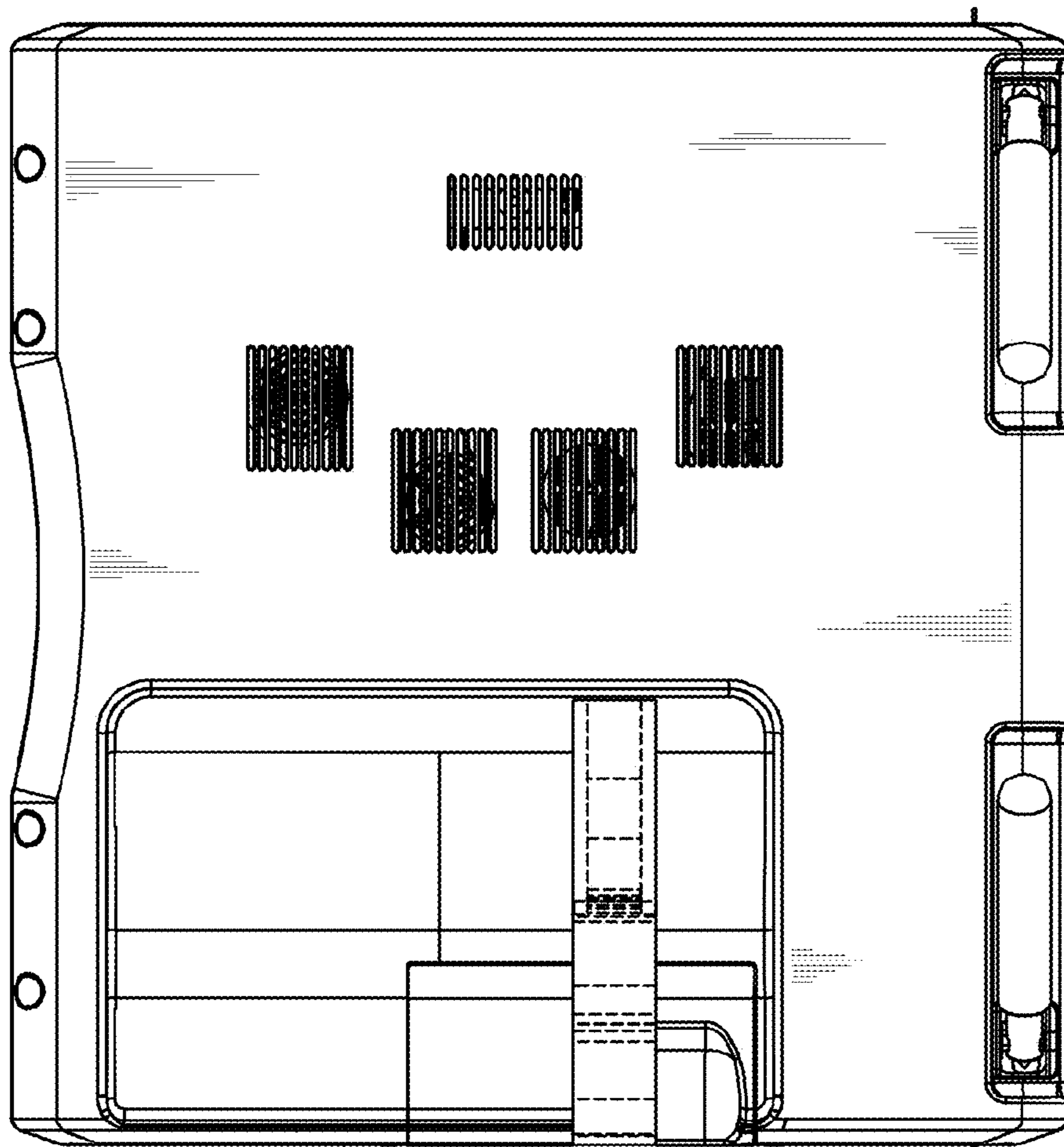


FIG. 12

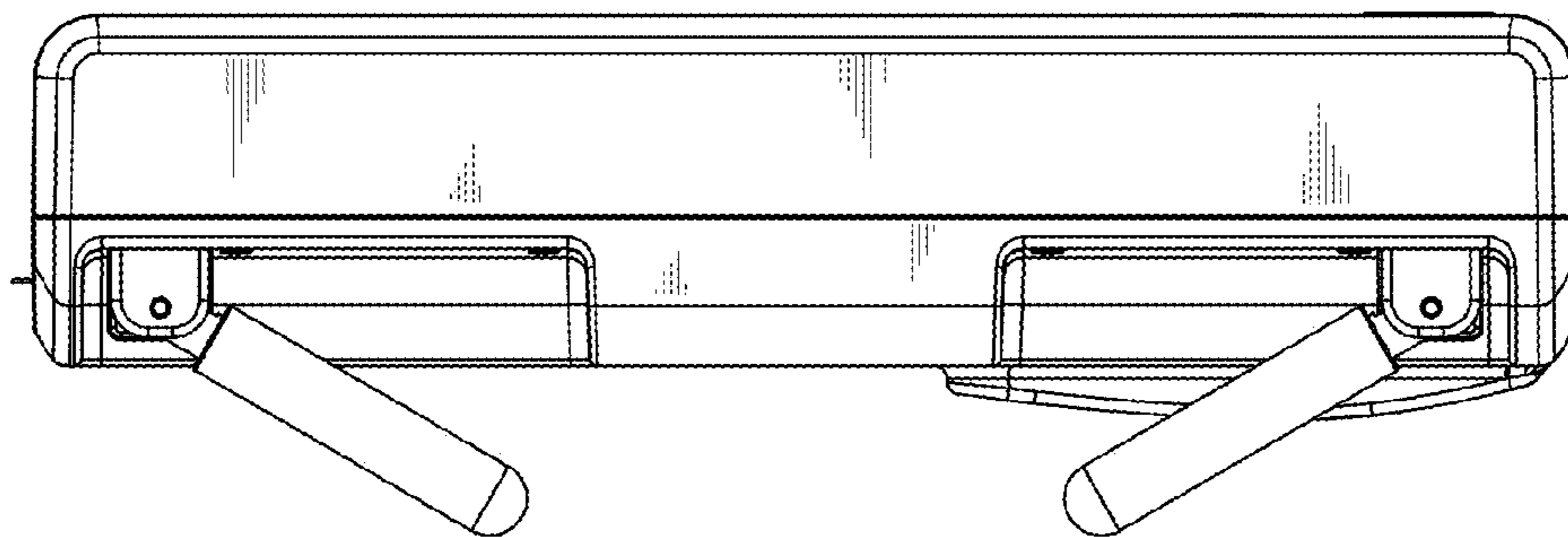


FIG. 13

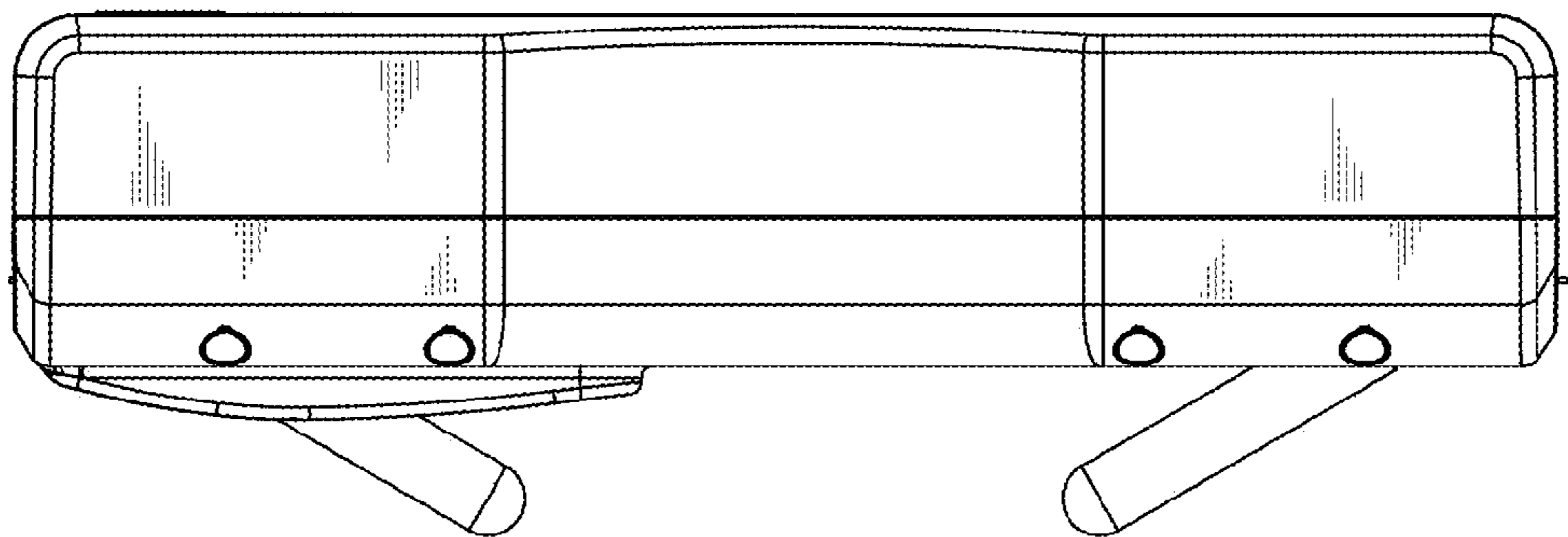


FIG. 14

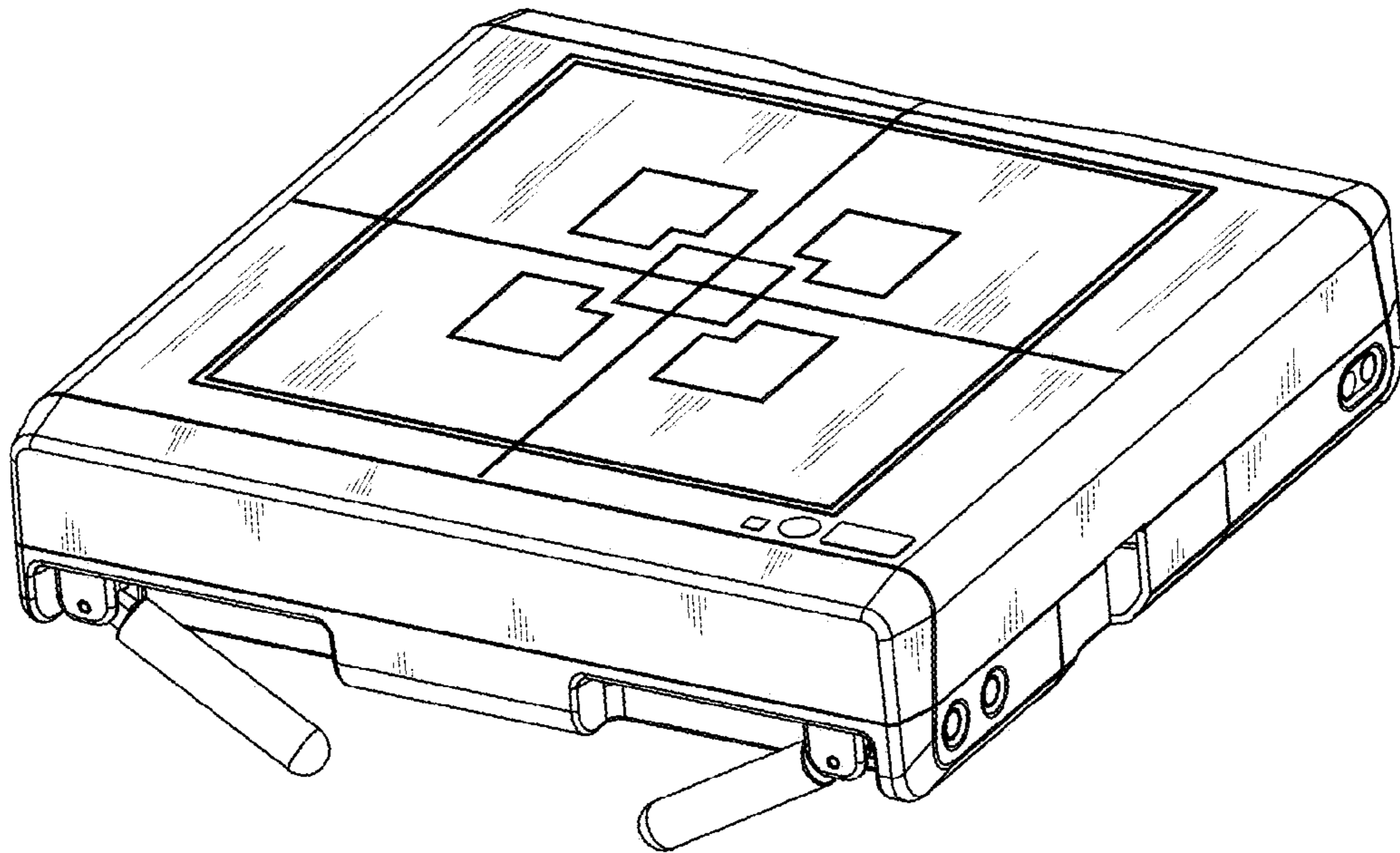




FIG 15

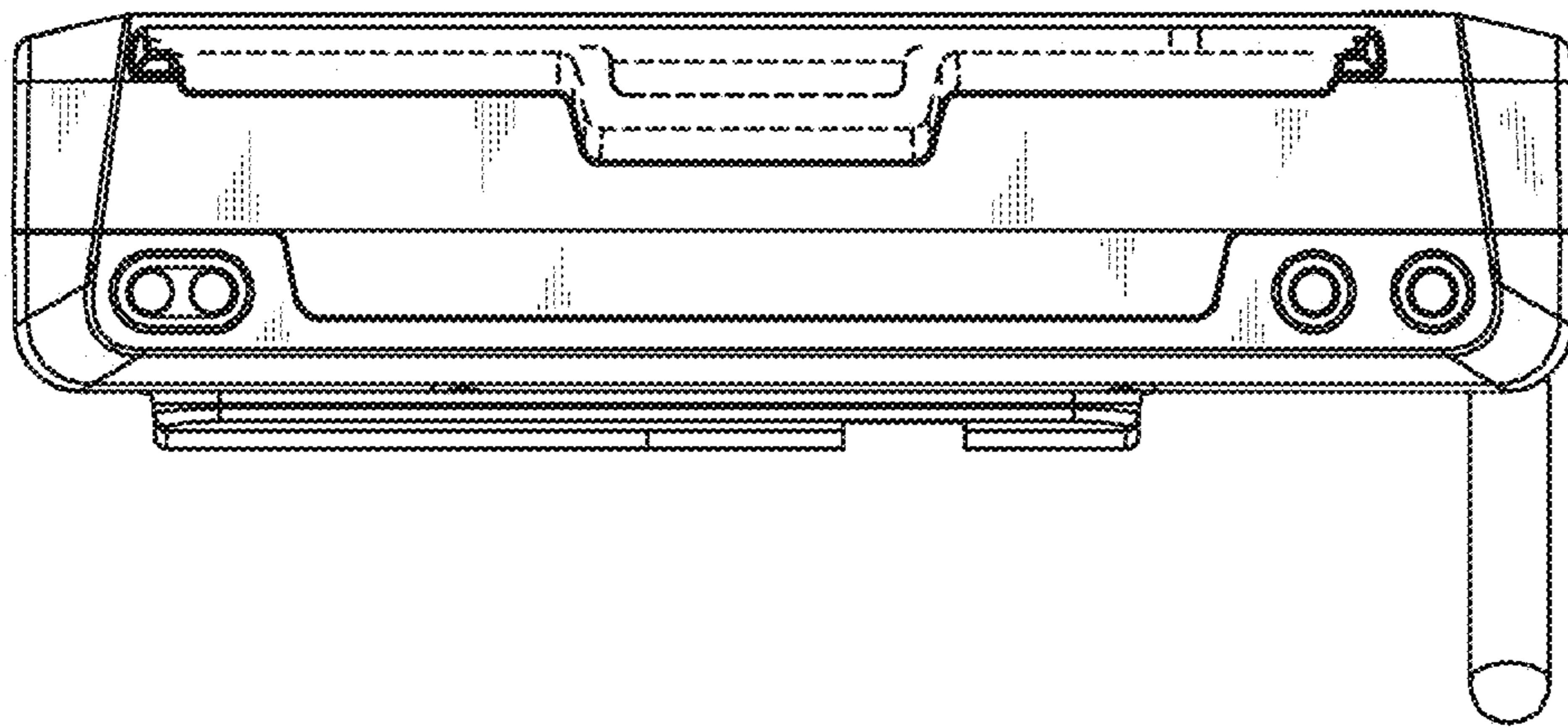


FIG 16

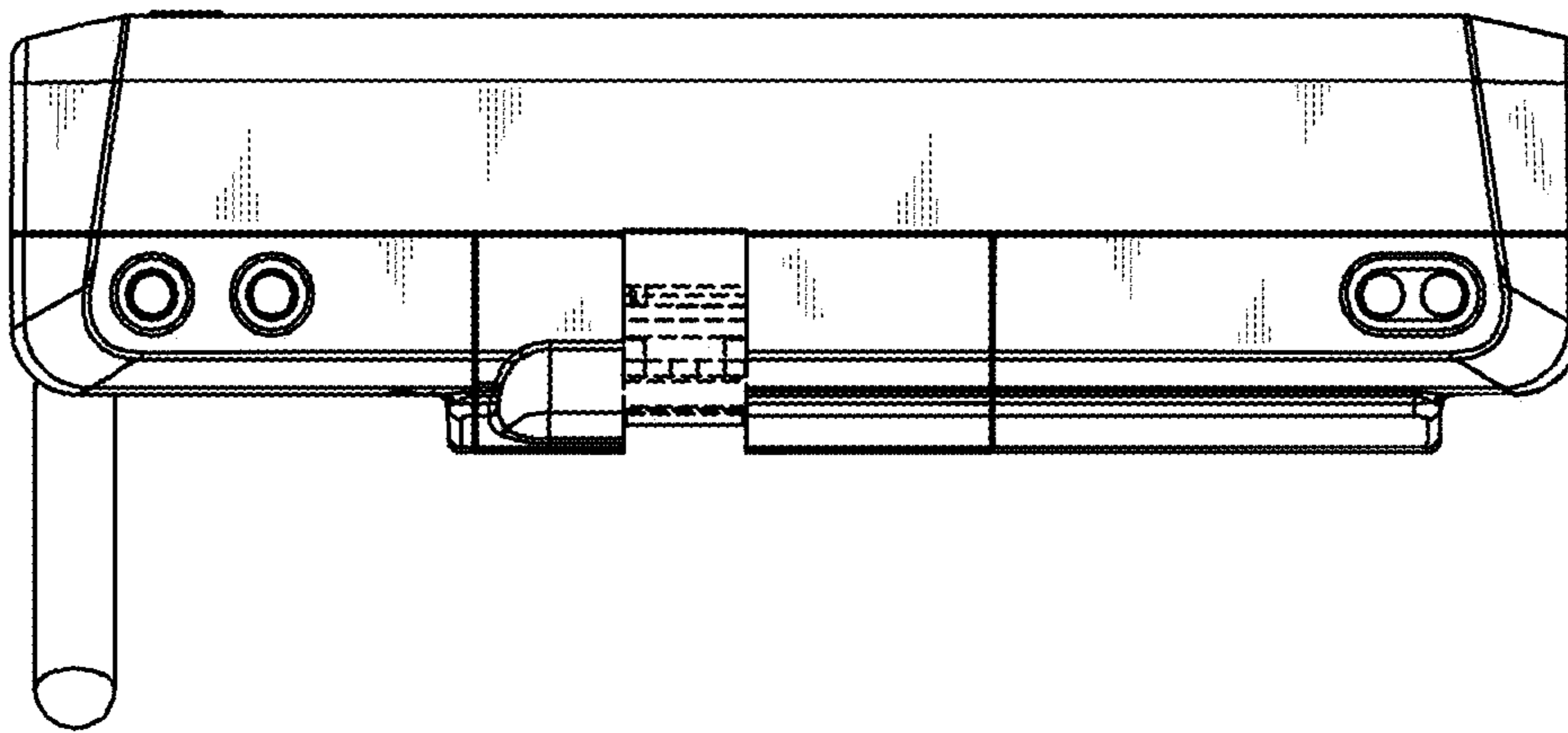


FIG. 17

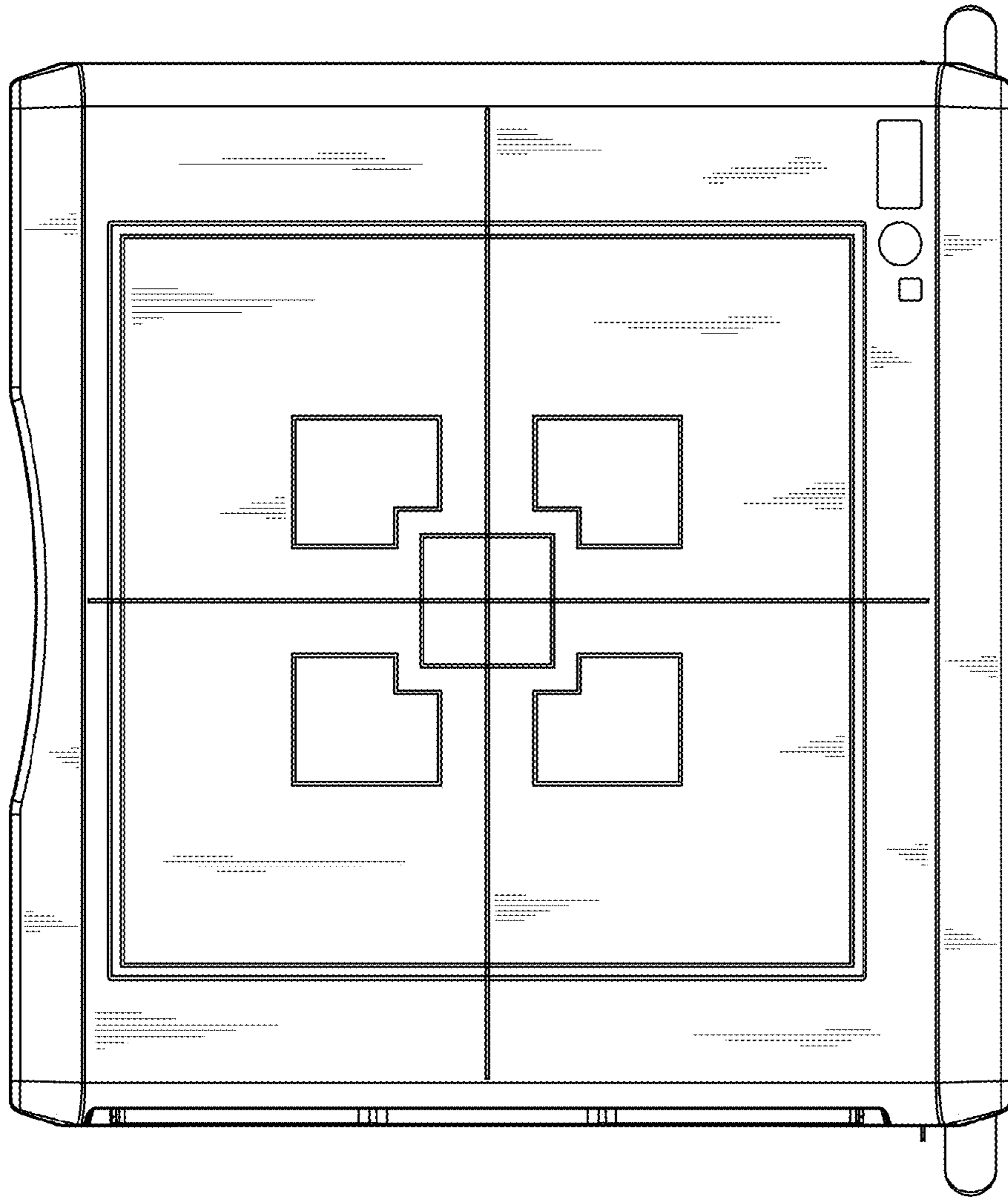


FIG 18

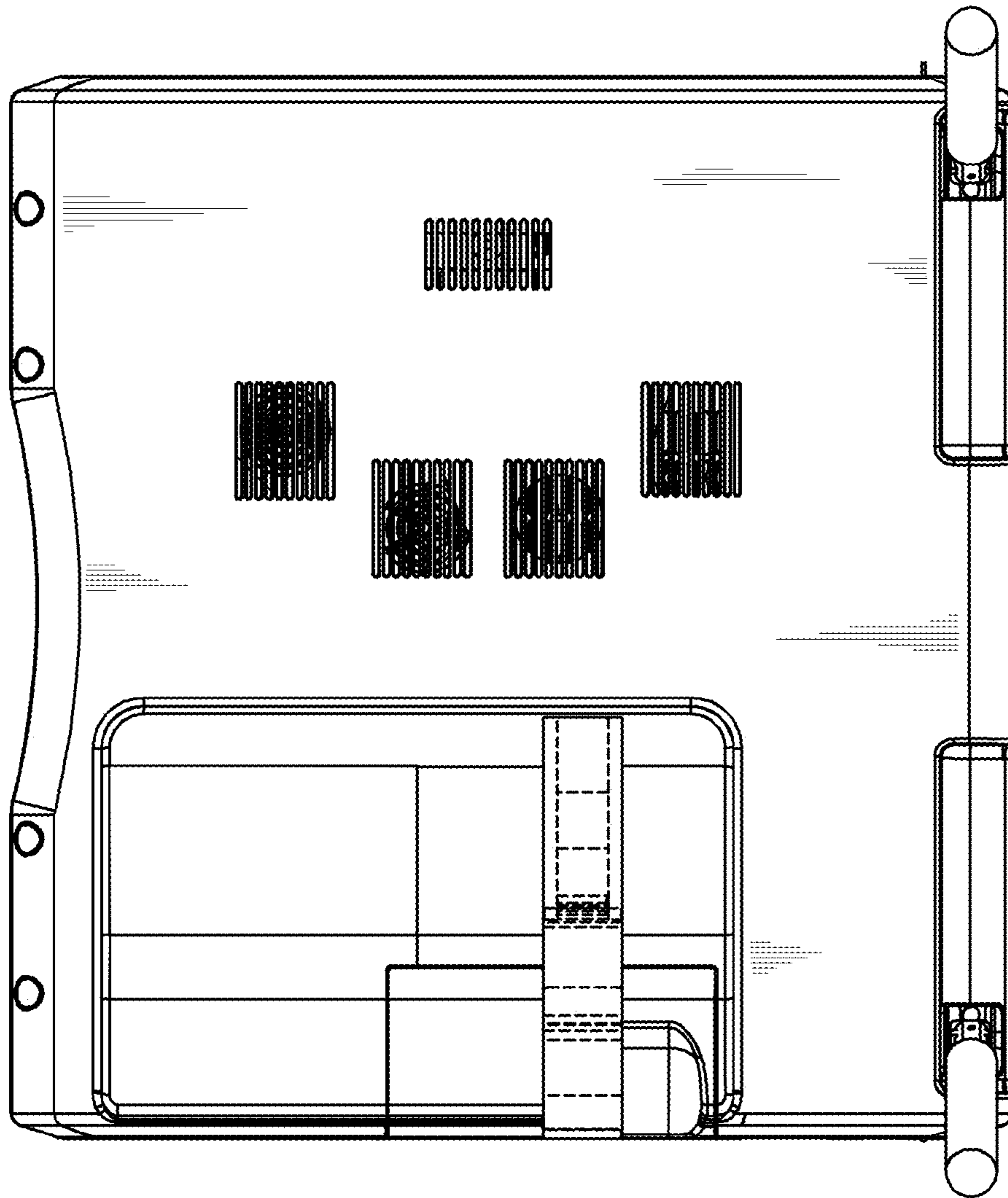


FIG. 19

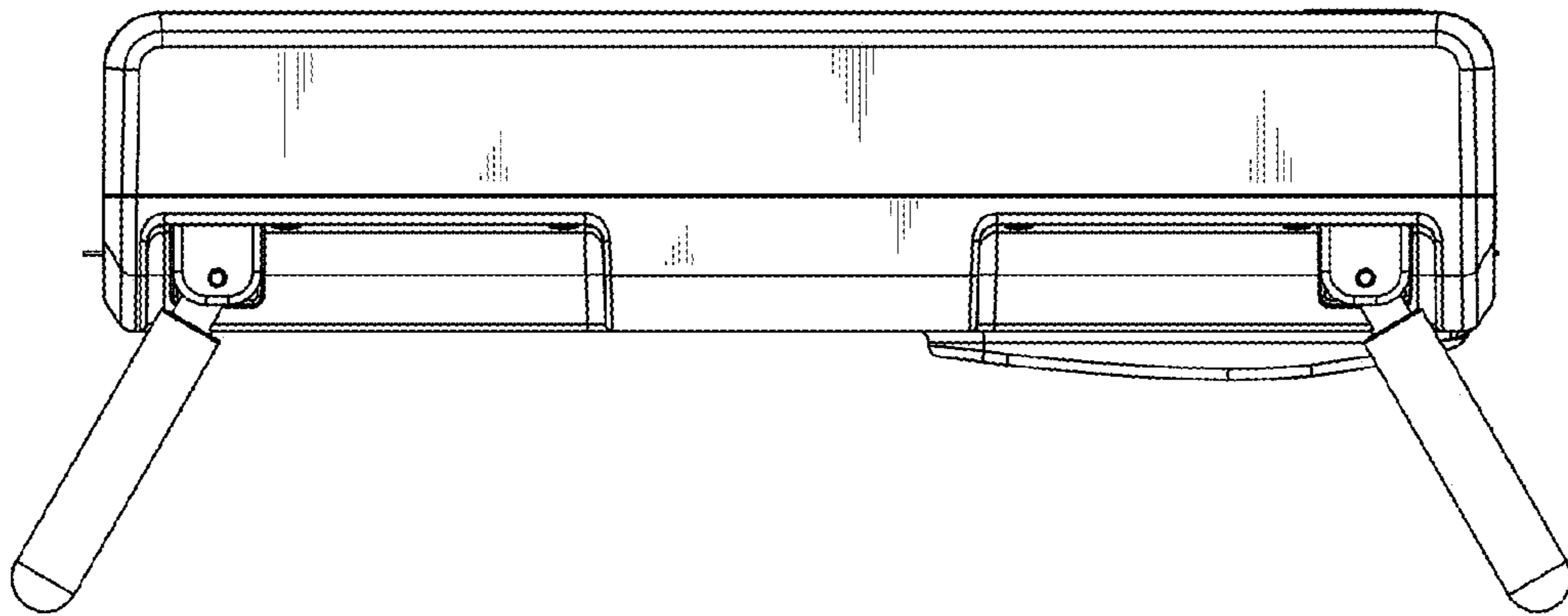


FIG. 20

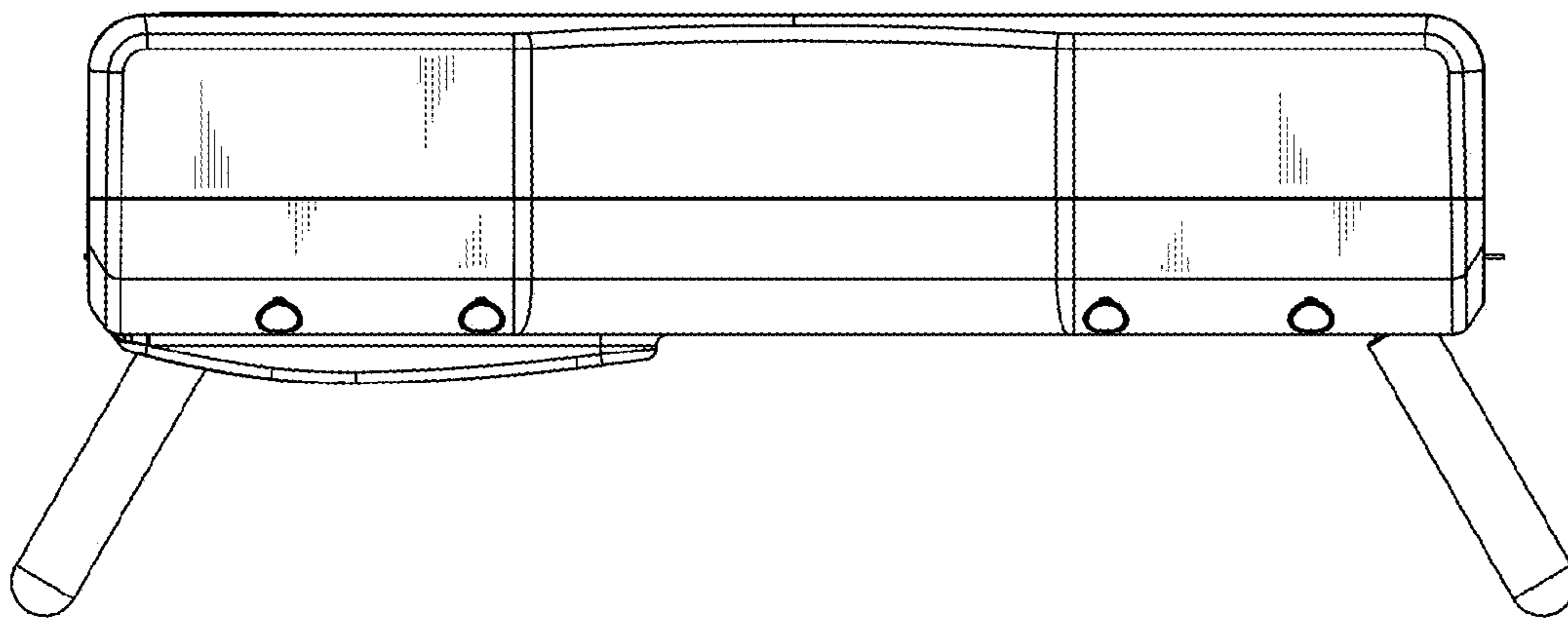


FIG. 21

