



US00D765249S

(12) **United States Design Patent** (10) **Patent No.:** **US D765,249 S**  
**Smith** (45) **Date of Patent:** **\*\* Aug. 30, 2016**

(54) **TONGUE CLEANER**  
(71) Applicant: **Ivan Joseph Smith**, Jacksonville, FL (US)  
(72) Inventor: **Ivan Joseph Smith**, Jacksonville, FL (US)  
(\*\*) Term: **15 Years**  
(21) Appl. No.: **29/527,091**  
(22) Filed: **May 15, 2015**  
(51) **LOC (10) Cl.** ..... **24-02**  
(52) **U.S. Cl.**  
USPC ..... **D24/147**  
(58) **Field of Classification Search**  
USPC ..... D24/147, 146, 133, 149; 606/161, 162;  
433/141; D4/104, 110, 111, 112;  
15/160  
CPC ..... A61B 2017/320008; A46B 15/0081;  
A46B 2200/1073; A46B 2200/1066  
See application file for complete search history.

D394,705 S \* 5/1998 Gupta ..... D24/147  
5,792,159 A \* 8/1998 Amin ..... A61B 17/244  
15/236.06  
D408,534 S \* 4/1999 Jansheski ..... D24/147  
D567,945 S \* 4/2008 Foster ..... D24/147  
D571,470 S \* 6/2008 Jansheski ..... D24/147  
D583,943 S \* 12/2008 Zaksenberg ..... D24/147  
D652,925 S \* 1/2012 Nanda ..... D24/147  
D736,379 S \* 8/2015 Wong ..... D24/147  
2006/0058821 A1\* 3/2006 Jansheski ..... A61B 17/244  
606/161

\* cited by examiner

*Primary Examiner* — Lakiya Rogers  
*Assistant Examiner* — Carissa C Fitts  
(74) *Attorney, Agent, or Firm* — Dunlap Bennett & Ludwig PLLC

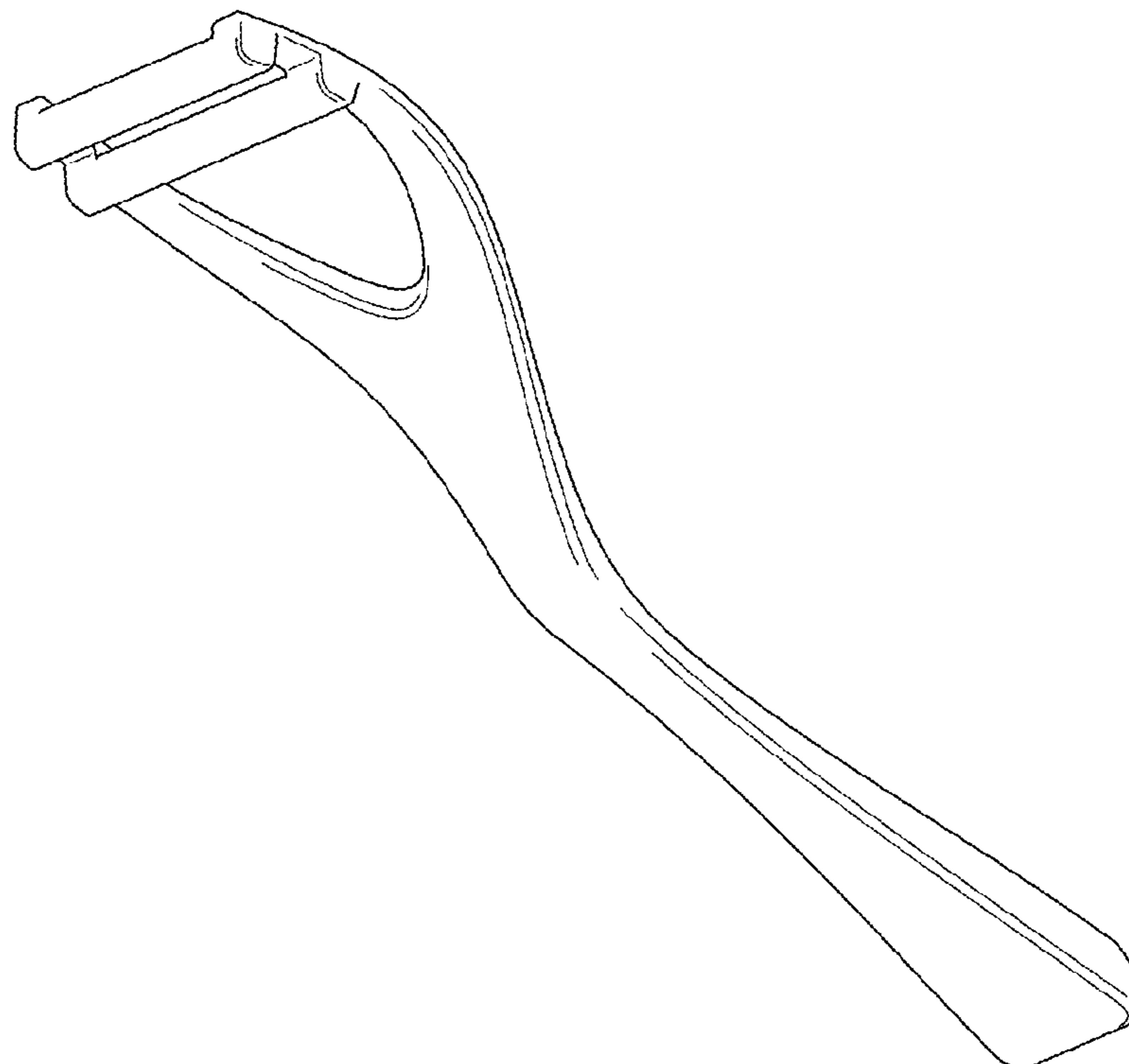
(57) **CLAIM**  
The ornamental design for a tongue cleaner, as shown and described.

**DESCRIPTION**

FIG. 1 is a perspective view of a tongue cleaner;  
FIG. 2 is a front elevation view thereof;  
FIG. 3 is a rear elevation view thereof;  
FIG. 4 is a left side elevation view thereof, the right side elevation view being a mirror image thereof;  
FIG. 5 is a top plan view thereof; and,  
FIG. 6 is a bottom plan view thereof.

**1 Claim, 2 Drawing Sheets**

(56) **References Cited**  
U.S. PATENT DOCUMENTS  
1,701,616 A \* 2/1929 Gross ..... A61B 17/244  
606/161  
2,574,654 A \* 11/1951 Moore ..... A61B 17/244  
15/111  
D392,386 S \* 3/1998 Nguyen ..... D24/147



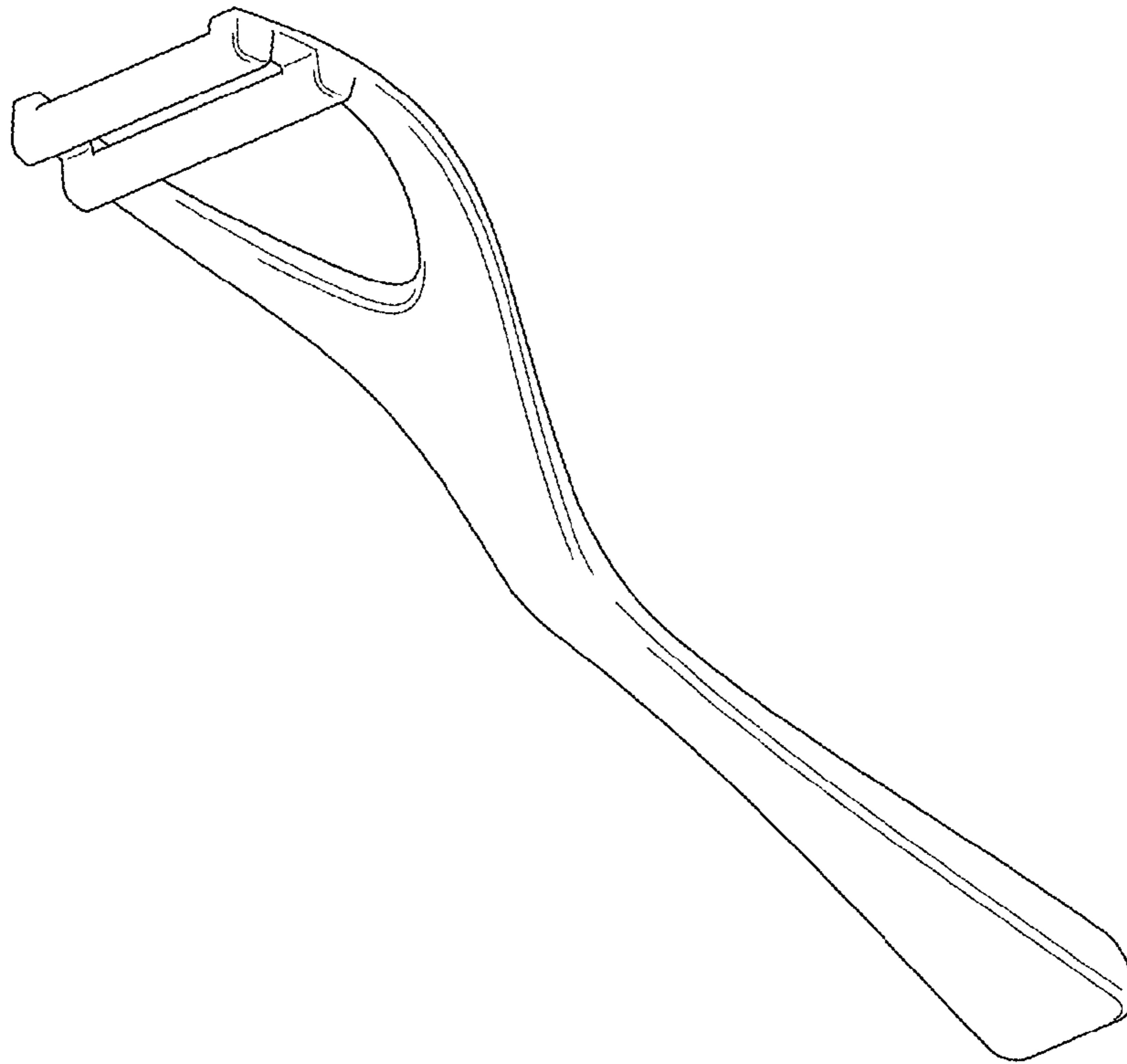


FIG. 1

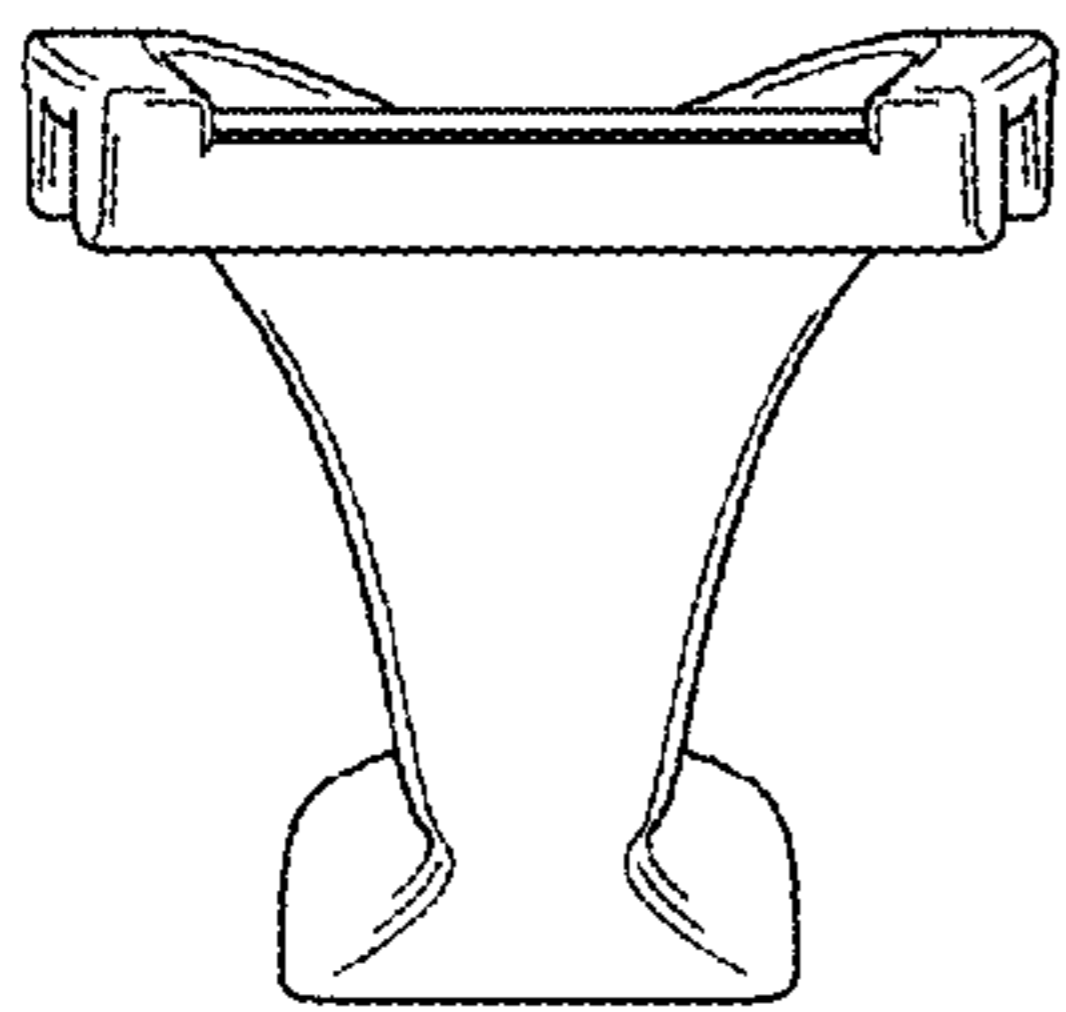


FIG. 2

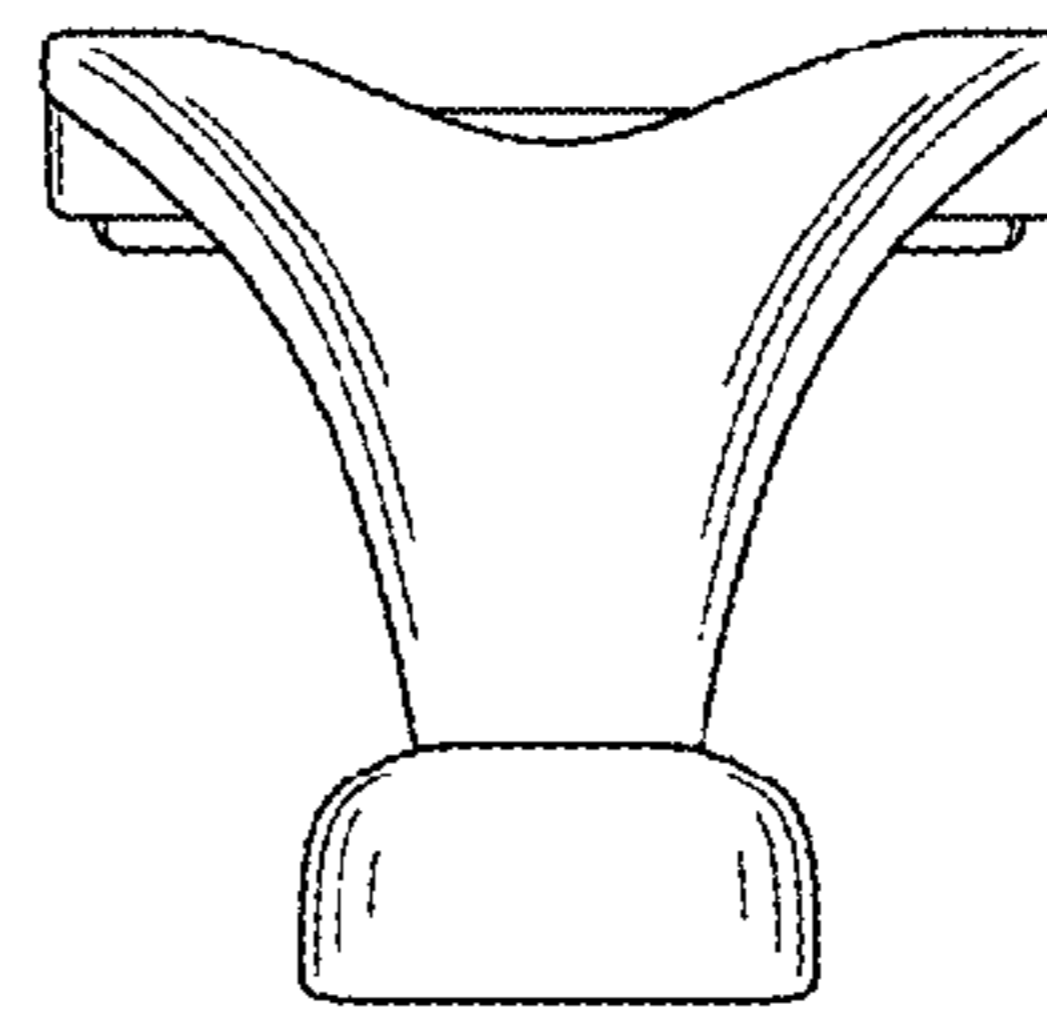


FIG. 3

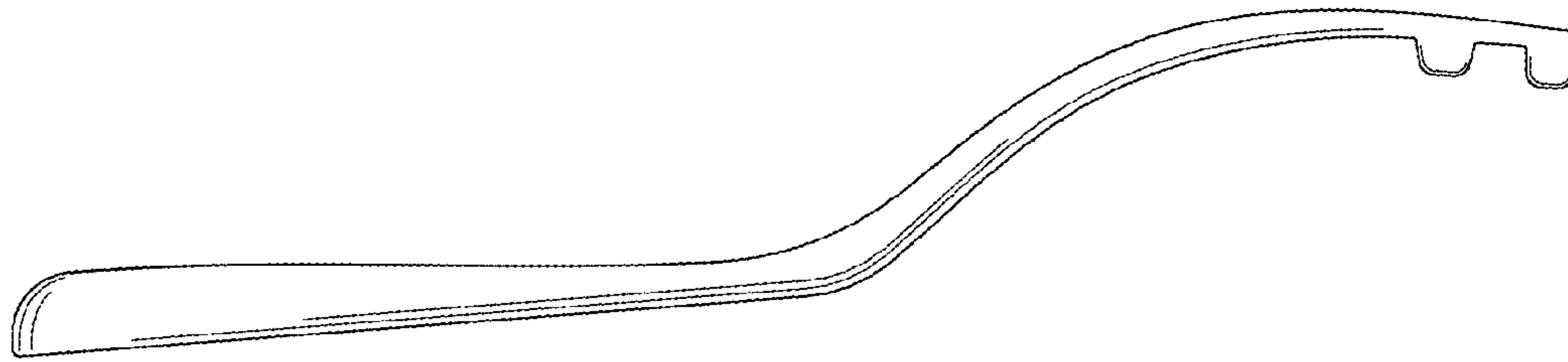


FIG. 4

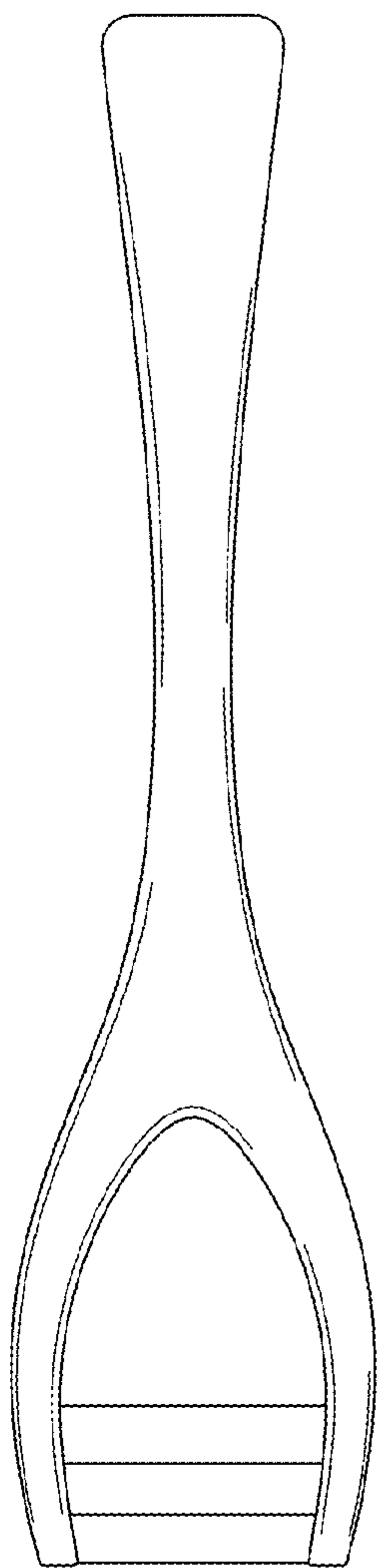


FIG. 5

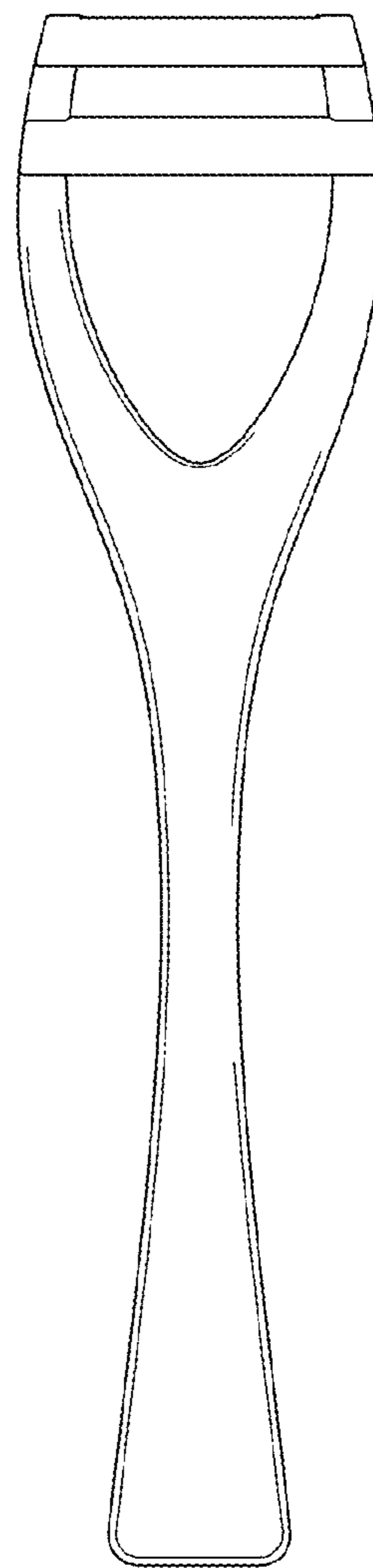


FIG. 6