



US00D765244S

(12) **United States Design Patent** (10) **Patent No.:** **US D765,244 S**
Jones (45) **Date of Patent:** **** Aug. 30, 2016**

(54) **ELASTIC BIOSENSOR HEADBAND**

(71) Applicant: **Anthony Jones**, Dallas, TX (US)

(72) Inventor: **Anthony Jones**, Dallas, TX (US)

(**) Term: **14 Years**

(21) Appl. No.: **29/519,816**

(22) Filed: **Mar. 9, 2015**

(51) **LOC (10) Cl.** **24-02**

(52) **U.S. Cl.**
USPC **D24/133**

(58) **Field of Classification Search**

USPC D24/133, 186-187; D2/865, 881;
D26/39; 2/171, 171.1, 171.2,
2/171.4-171.5, 200.1; 24/168; 66/169 R,
66/170, 171; 600/300, 323, 340, 372, 382,
600/383, 386, 390, 544-549
CPC A41D 20/00; A41D 102/002; A61B
5/14551; A61B 2505/03; A61B 5/6831;
A61B 5/6814; A61B 5/6803; A61B 5/1455;
A61B 5/02; A61B 5/01; D04B 1/18
See application file for complete search history.

(56) **References Cited**

U.S. PATENT DOCUMENTS

6,070,579 A * 6/2000 Bryant A41D 13/1161
128/206.12
7,347,544 B1 * 3/2008 McLaughlin G02C 3/003
2/452
D565,633 S * 4/2008 Doolan D16/309
D597,676 S * 8/2009 Copeland D24/187
7,810,359 B2 10/2010 Hannula et al.
8,646,466 B2 2/2014 Howard et al.
8,852,095 B2 10/2014 Schlottau et al.
2012/0125360 A1 5/2012 Hill et al.
2014/0000008 A1 1/2014 Santiago

OTHER PUBLICATIONS

<Retrieved online on Jan. 25, 2015 from: <http://www.aliexpress.com/item/Hairpins-Hair-Accessories-Romantic-Girls-sweet-headband-RS015010Pcs-lot-Japan-Fashion-Korea-style-candy-sports-hairband/760914221.html>>.

* cited by examiner

Primary Examiner — Wan Laymon
Assistant Examiner — Mark Booker

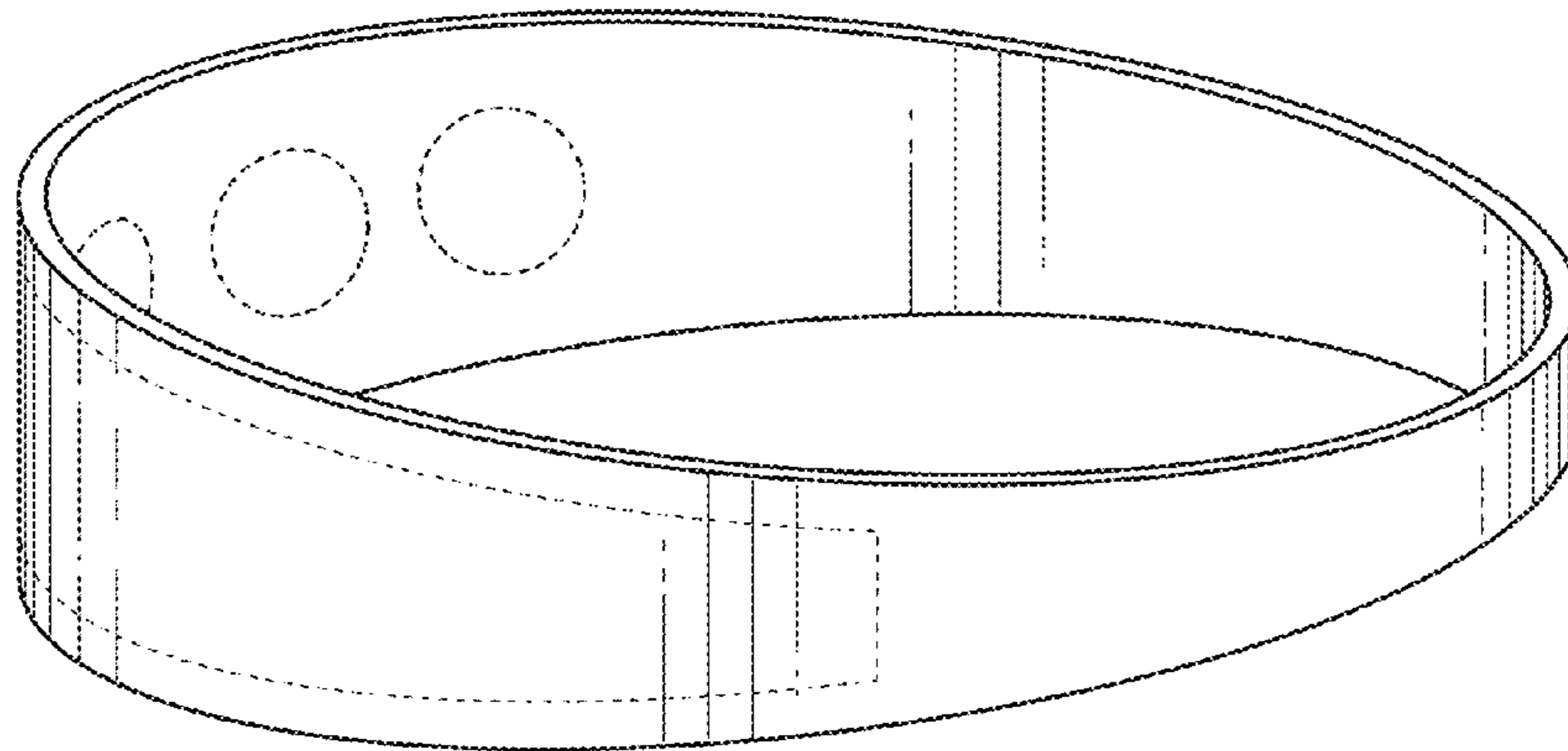
(57) **CLAIM**

The ornamental design for an elastic biosensor headband, as shown and described.

DESCRIPTION

FIG. 1 illustrates a top isometric view of the elastic biosensor headband.
FIG. 2 illustrates a right side view of the elastic biosensor headband.
FIG. 3 illustrates a left side view of the elastic biosensor headband.
FIG. 4 illustrates a top view of the elastic biosensor headband.
FIG. 5 illustrates a bottom view of the elastic biosensor headband.
FIG. 6 illustrates a front view of the elastic biosensor headband.
FIG. 7 illustrates a rear view of the elastic biosensor headband; and,
FIG. 8 illustrates an environmental side view of the elastic biosensor headband, as it could appear worn.
The broken lines shown in the figures represent portions of the elastic biosensor headband that form no part of the claimed design. The broken lines shown in FIG. 8 represents environment and do not form part of the claimed design.

1 Claim, 5 Drawing Sheets



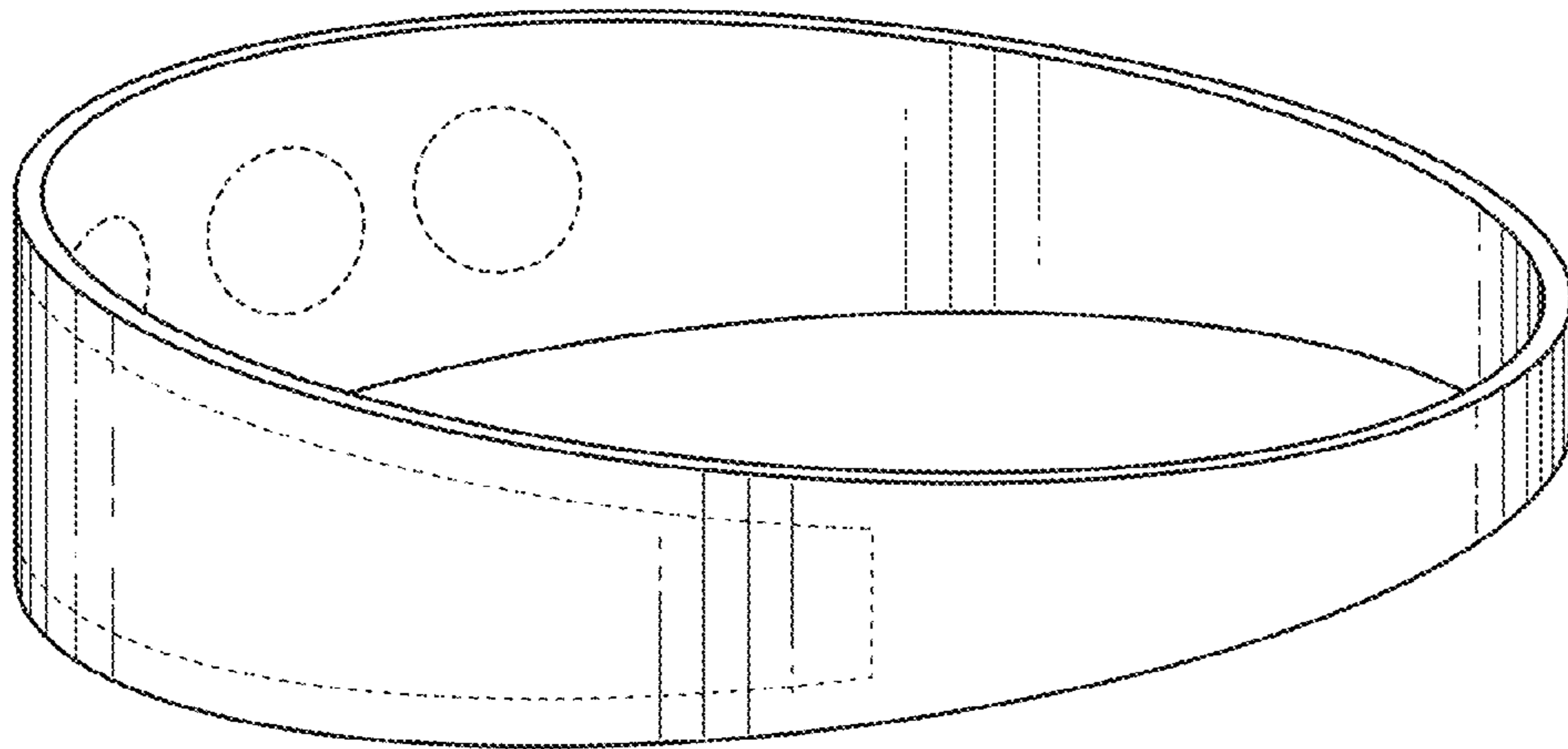


FIG. 1

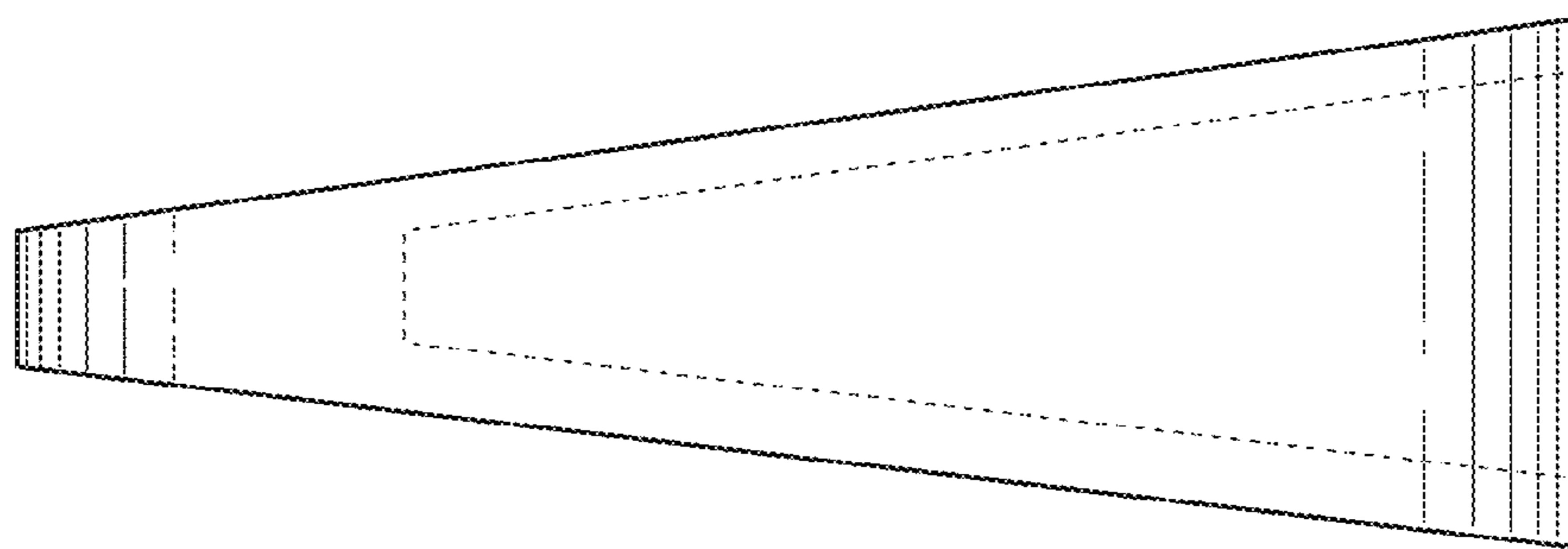


FIG. 2

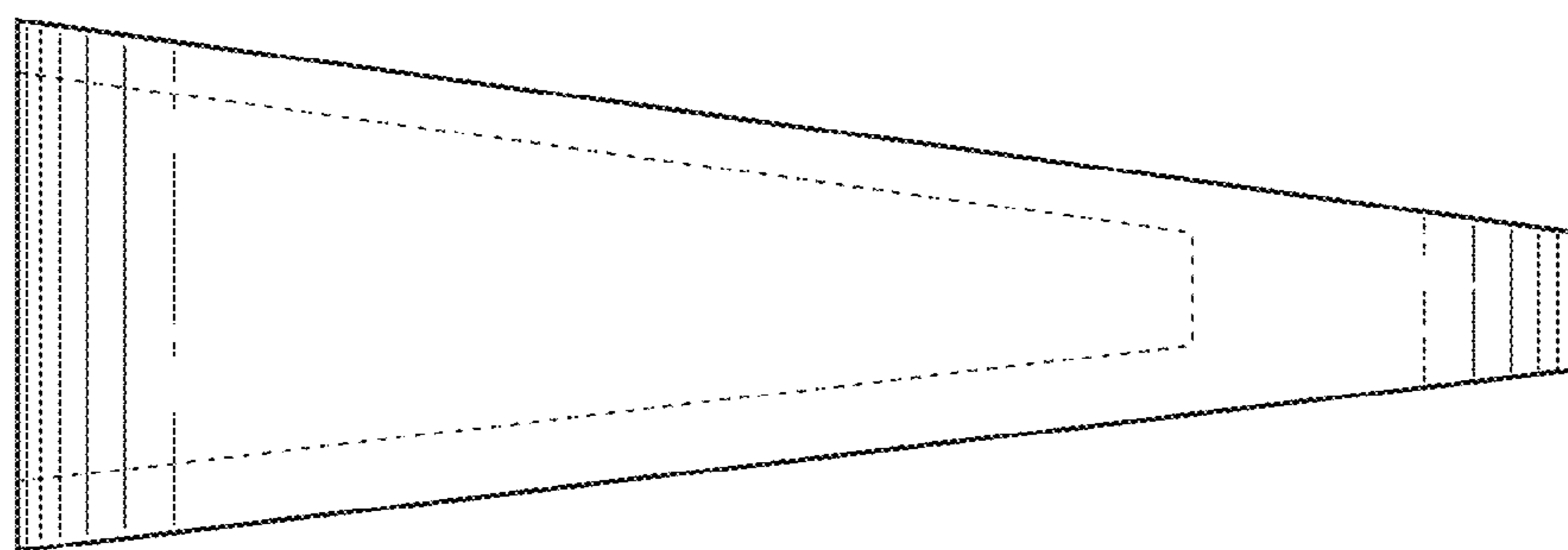


FIG. 3

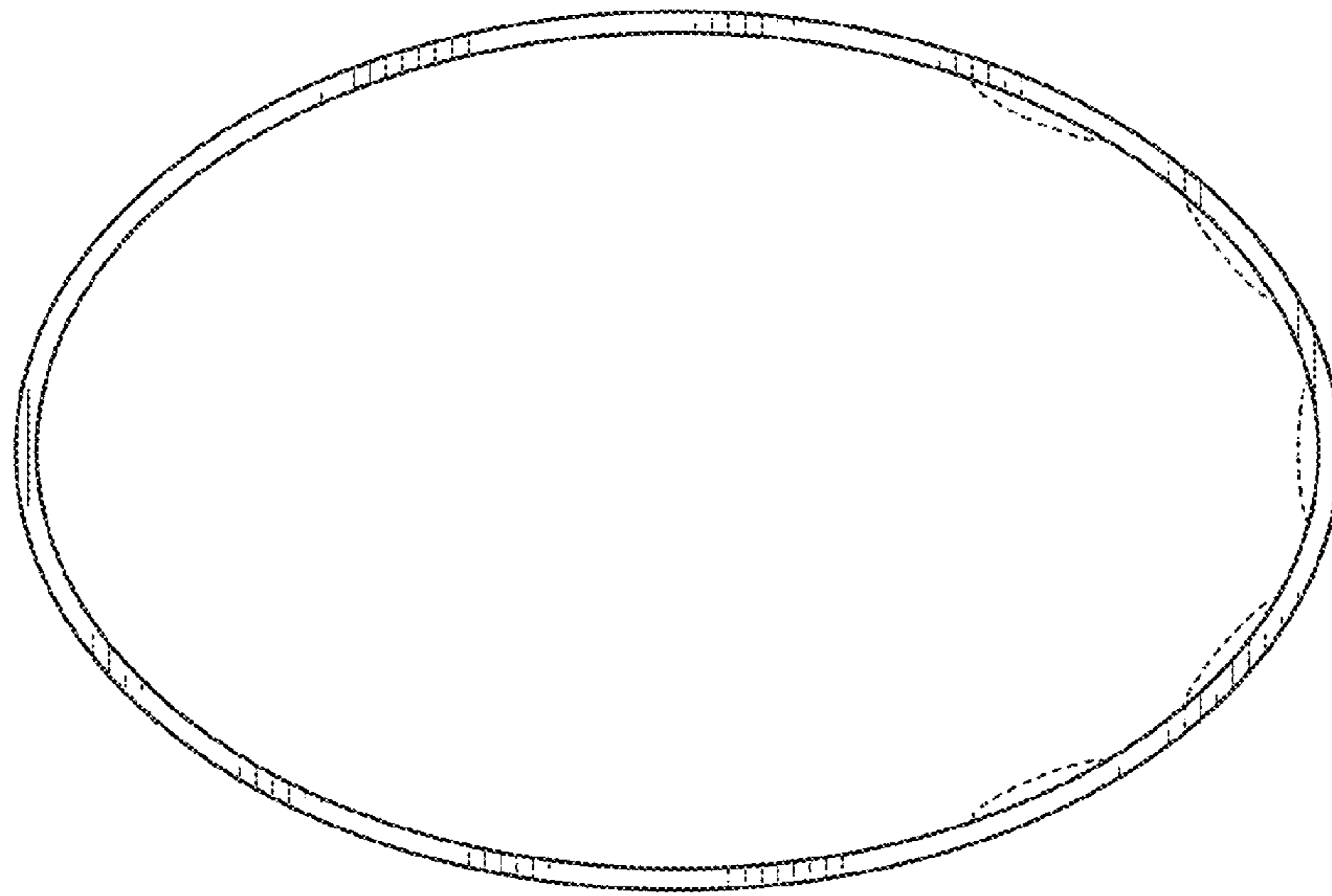


FIG. 4

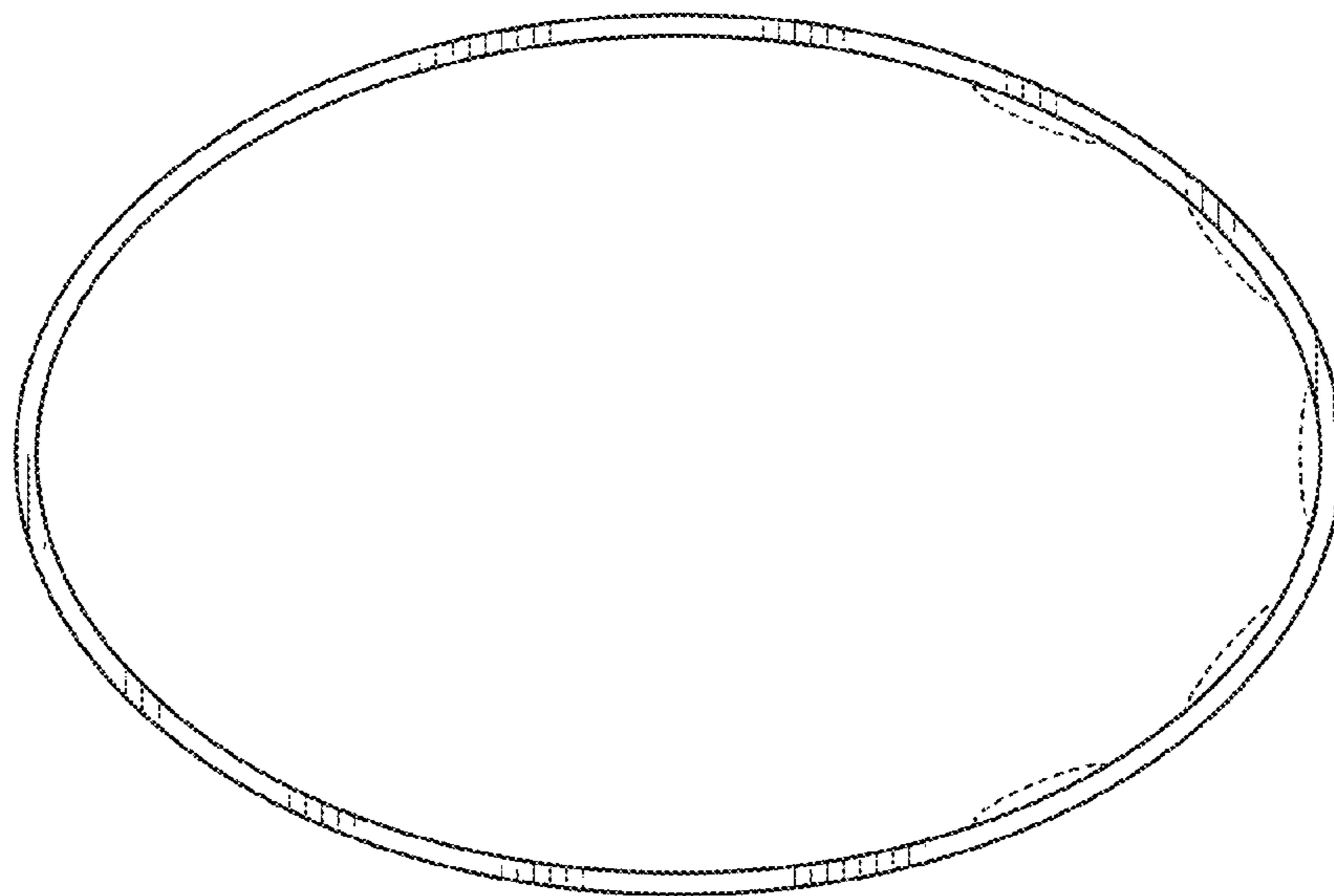


FIG. 5

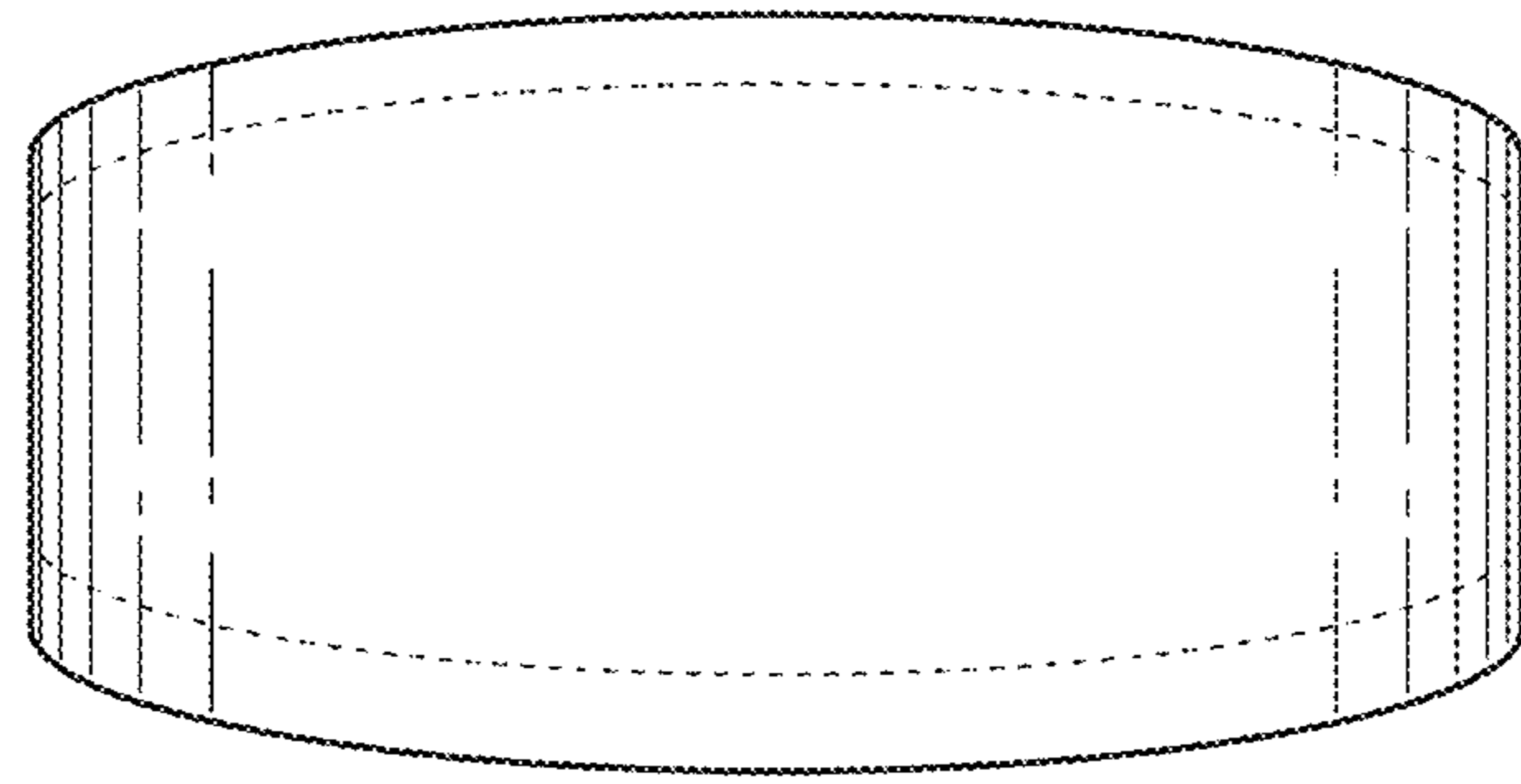


FIG. 6

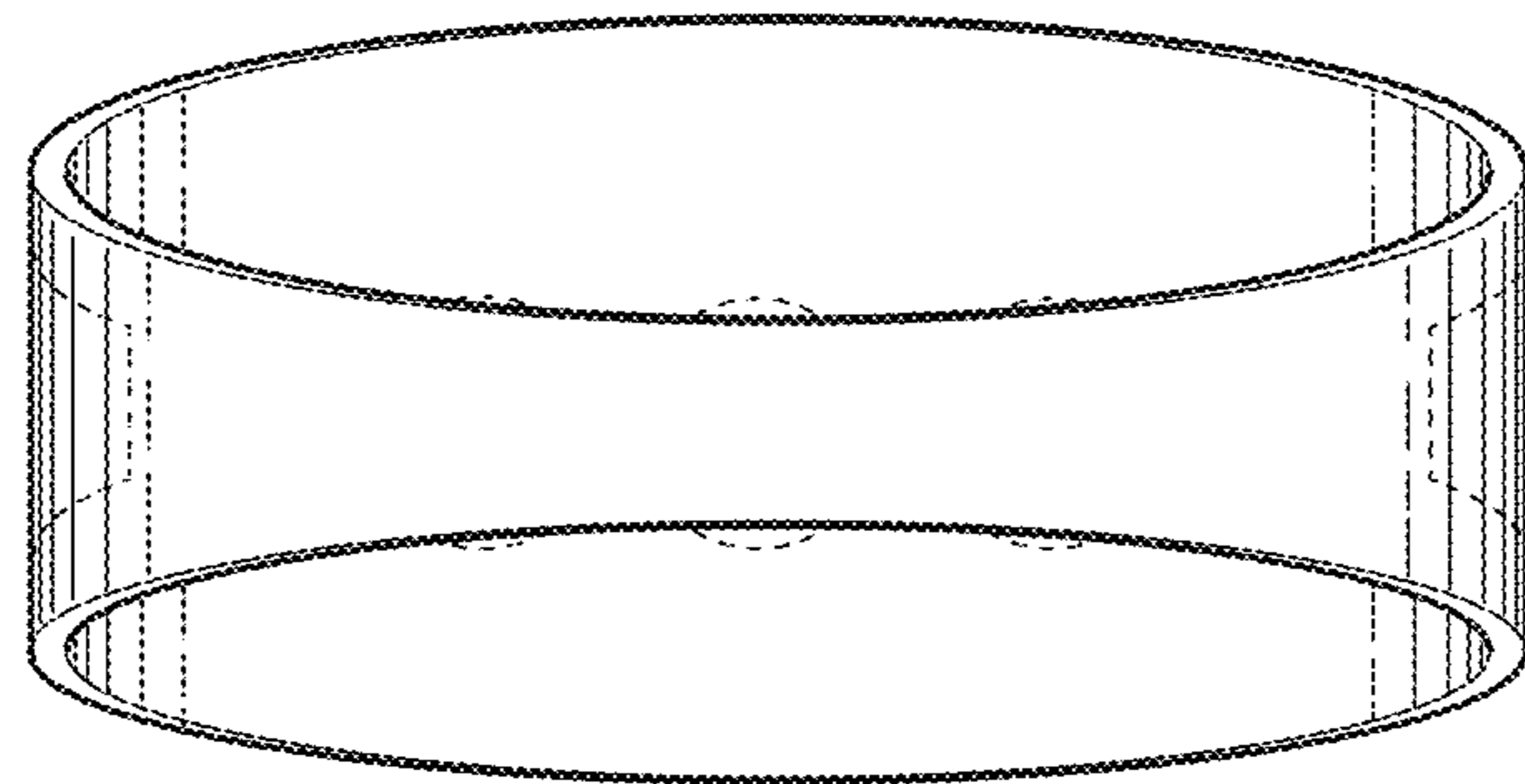


FIG. 7

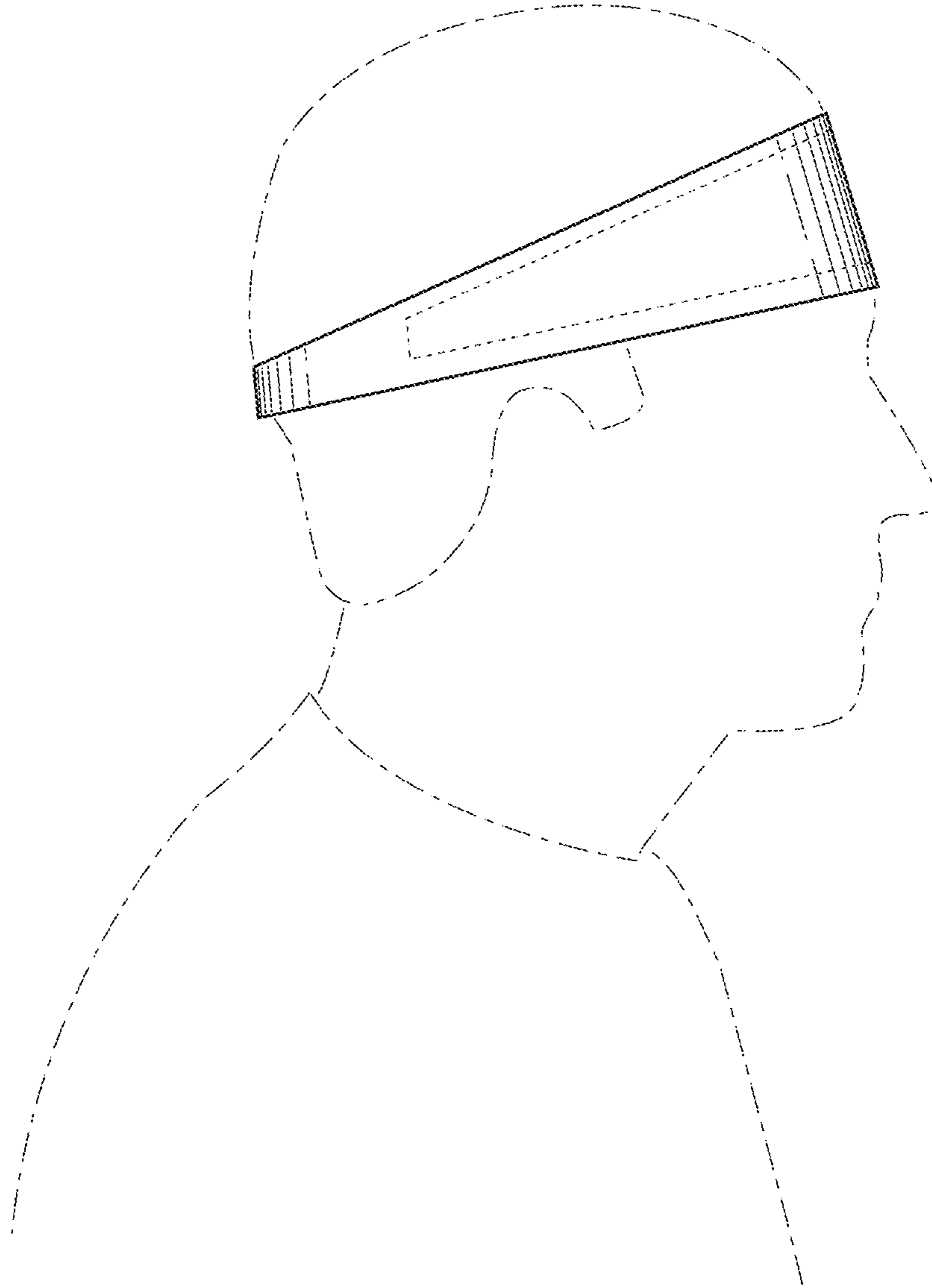


FIG. 8