



US00D765241S

(12) **United States Design Patent** (10) **Patent No.:** **US D765,241 S**
Holland (45) **Date of Patent:** **** Aug. 30, 2016**

(54) **SYRINGE**
(71) Applicant: **OWEN MUMFORD LTD.**, Woodstock (GB)
(72) Inventor: **Damian Alexander Holland**, Woodstock (GB)
(73) Assignee: **OWEN MUMFORD LTD.**, Oxfordshire (GB)

7,699,814 B2 4/2010 Lande
D719,255 S * 12/2014 Ohashi D24/108
D719,256 S * 12/2014 Ohashi D24/108
D721,803 S * 1/2015 Dubach D24/114
D722,160 S * 2/2015 Armstrong D24/130
D732,660 S * 6/2015 Ohashi D24/112
D739,933 S * 9/2015 Ettlin D24/114
D740,410 S * 10/2015 Korkuch D24/112

(**) Term: **14 Years**

(21) Appl. No.: **29/520,532**

(22) Filed: **Mar. 16, 2015**

(30) **Foreign Application Priority Data**

Sep. 15, 2014 (EM) 002538074-0001

(51) **LOC (10) Cl.** **24-02**

(52) **U.S. Cl.**
USPC **D24/114**

(58) **Field of Classification Search**
USPC D24/112-114, 108, 133, 130, 127, 186;
606/181, 185; 604/264, 272, 187, 181,
604/184, 227
CPC A61M 5/178; A61M 3/00; A61M 5/20;
A61M 5/31; A61M 5/3146; A61M 5/3129;
A61M 5/3148; A61M 5/315
See application file for complete search history.

(56) **References Cited**

U.S. PATENT DOCUMENTS

5,350,367 A * 9/1994 Stiehl A61M 5/24
604/228
5,370,628 A 12/1994 Allison et al.
D448,844 S * 10/2001 Reis D24/112
D449,379 S * 10/2001 Fuhr D24/133
6,425,885 B1 * 7/2002 Fischer A61M 5/31511
604/187
6,461,333 B1 10/2002 Frezza
D505,200 S * 5/2005 Simpson D24/114
7,488,307 B2 * 2/2009 Rimlinger A61M 5/31501
128/919

FOREIGN PATENT DOCUMENTS

EP 1079878 3/2001
WO 2006124947 11/2006

OTHER PUBLICATIONS

U.K. Office Action, dated Mar. 9, 2015, in corresponding U.K. Patent Application No. GB1414911.6.

* cited by examiner

Primary Examiner — David Muller

(74) *Attorney, Agent, or Firm* — Young & Thompson

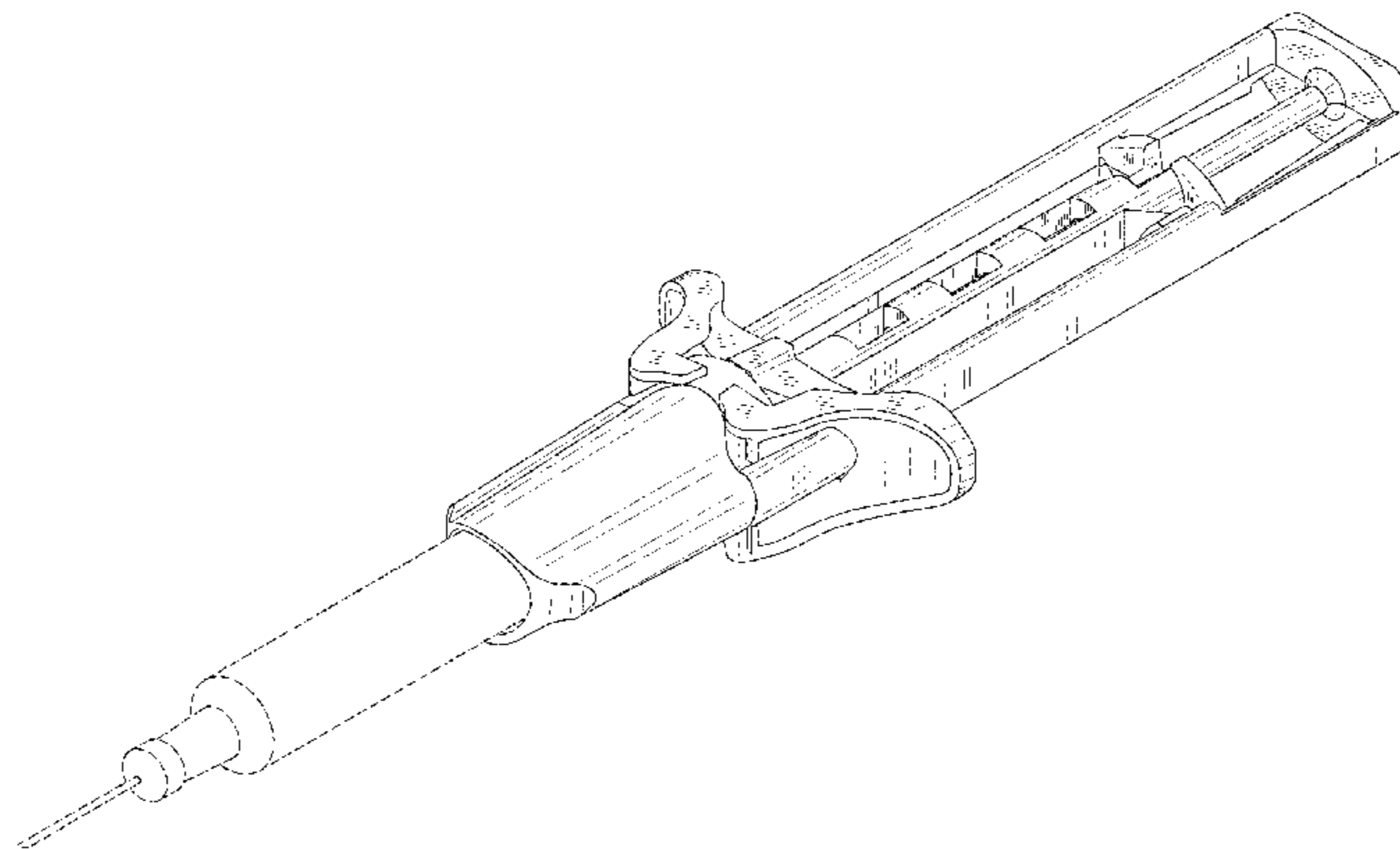
(57) **CLAIM**

The ornamental design for a syringe, as shown and described.

DESCRIPTION

FIG. 1 is a top plan view of a syringe showing the new design, wherein the bottom plan view is the same; FIG. 2 is a left side elevation view thereof, wherein the right side elevation view is the same; FIG. 3 is a rear elevation view thereof; FIG. 4 is a front elevation view thereof; FIG. 5 is a top, front, and left side perspective view thereof; and, FIG. 6 is a top, front, and left side perspective view of an alternate configuration thereof wherein the claimed parts of the syringe are exploded. The broken lines shown in the figures represent unclaimed portions of the syringe and form no part of the claimed design.

1 Claim, 4 Drawing Sheets



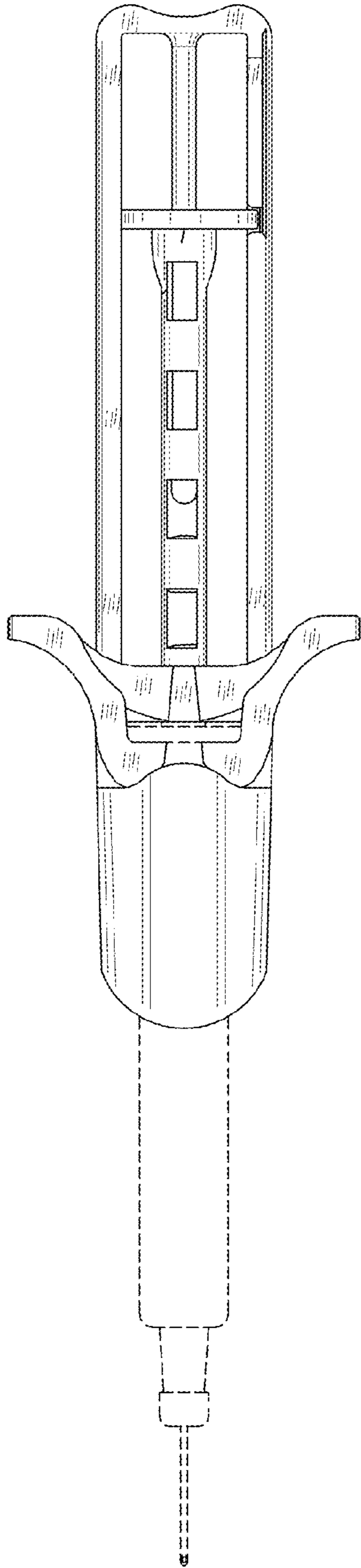


Fig. 1

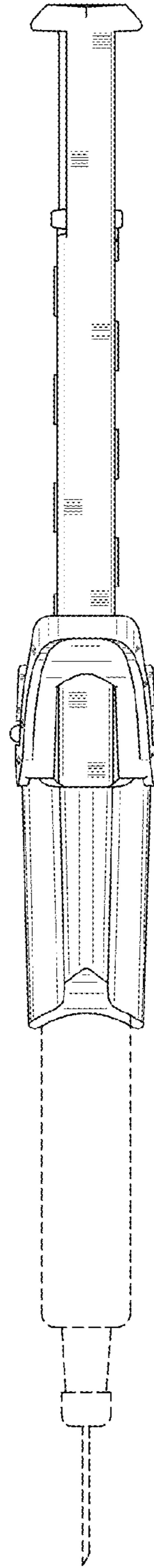


Fig. 2

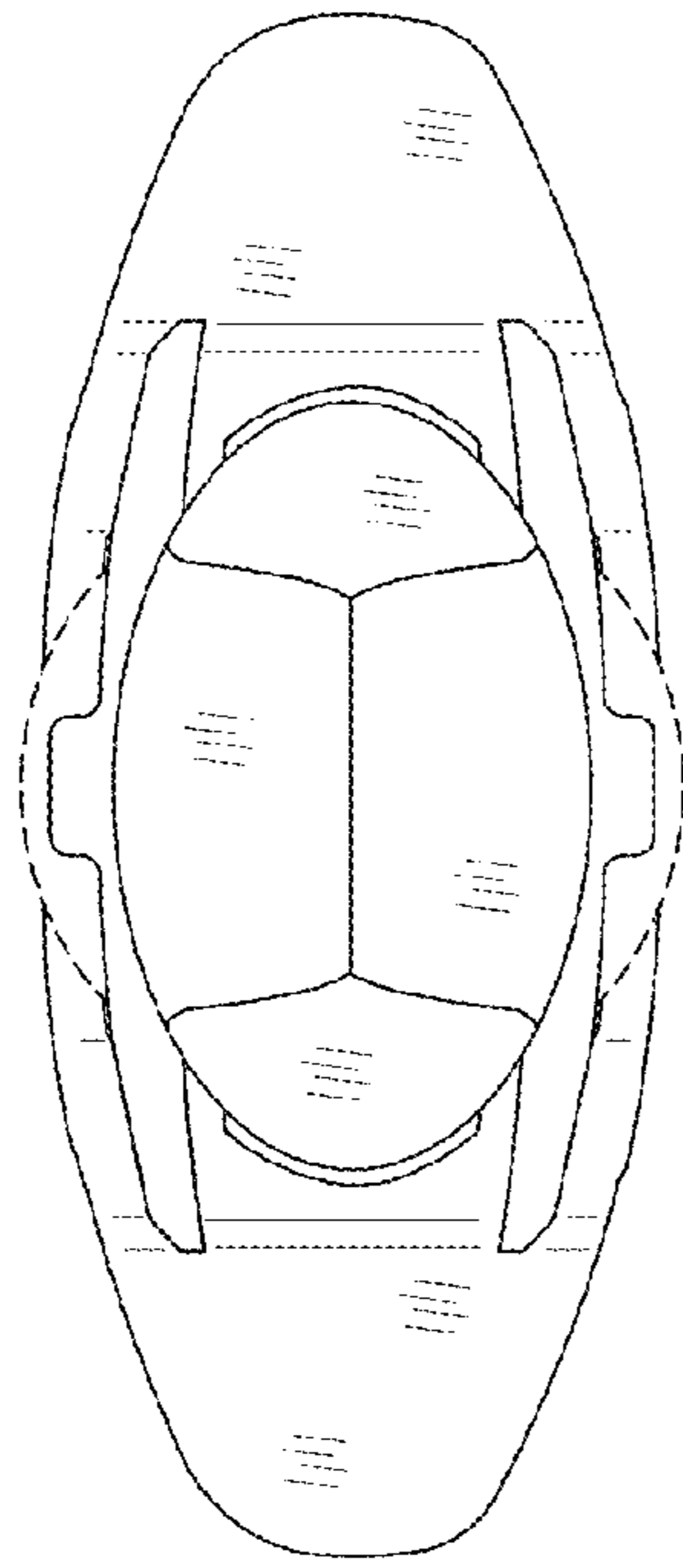


Fig. 3

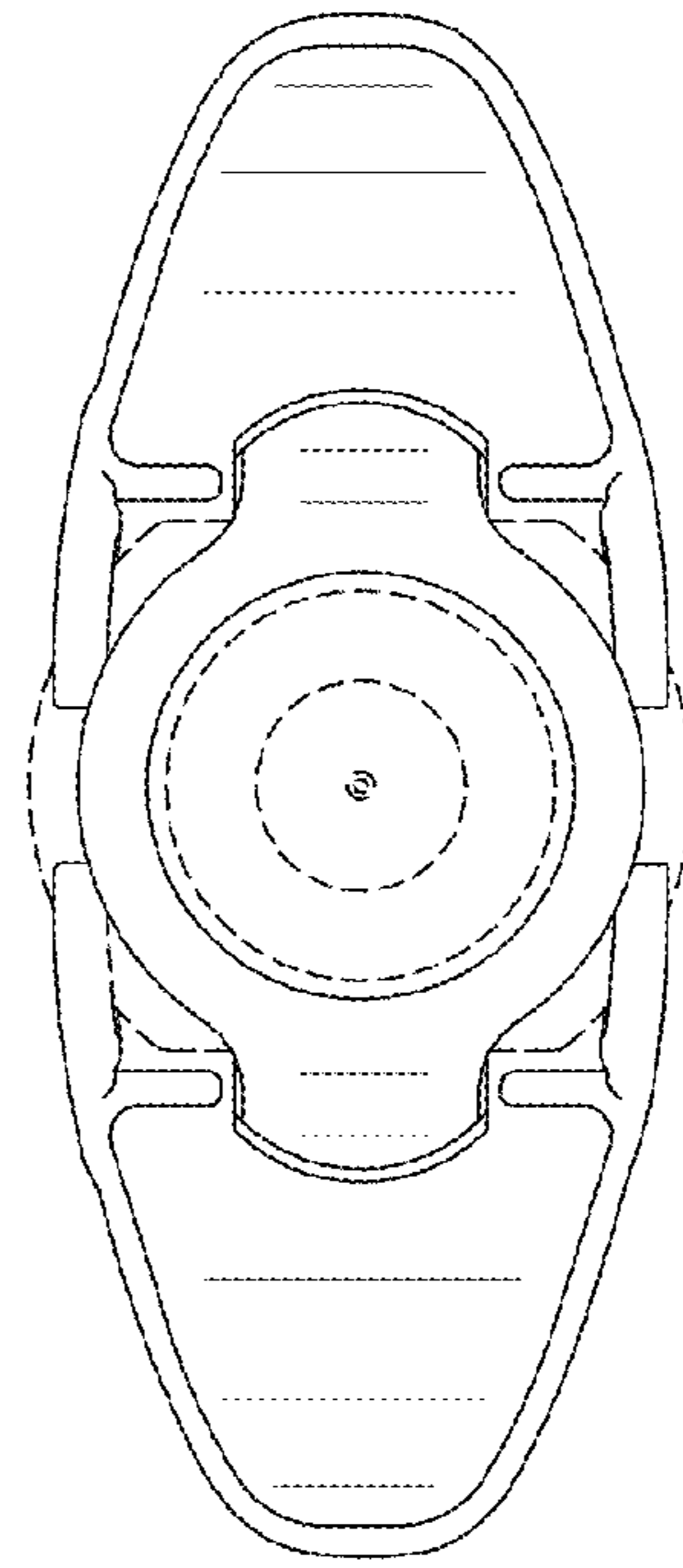


Fig. 4

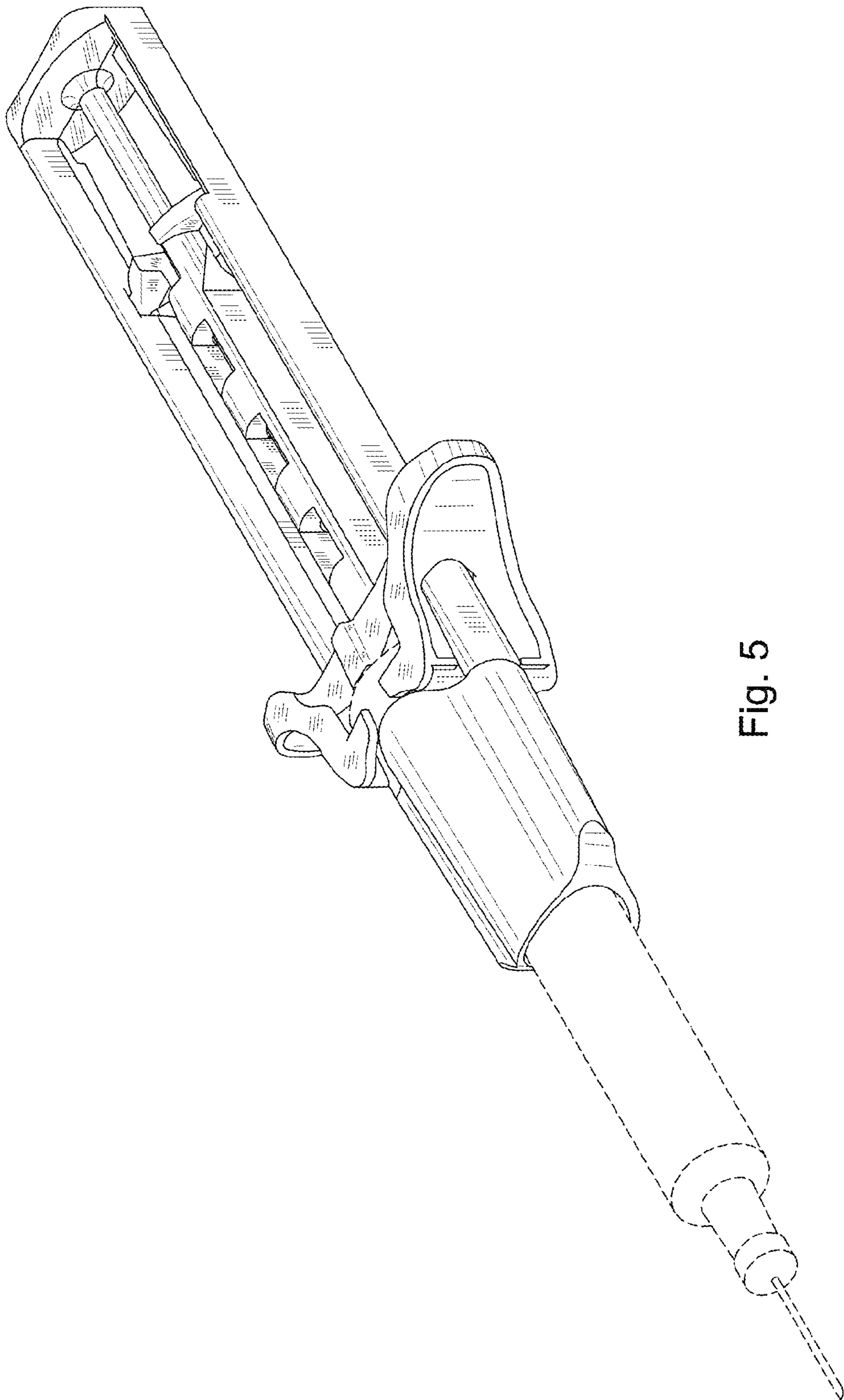


Fig. 5

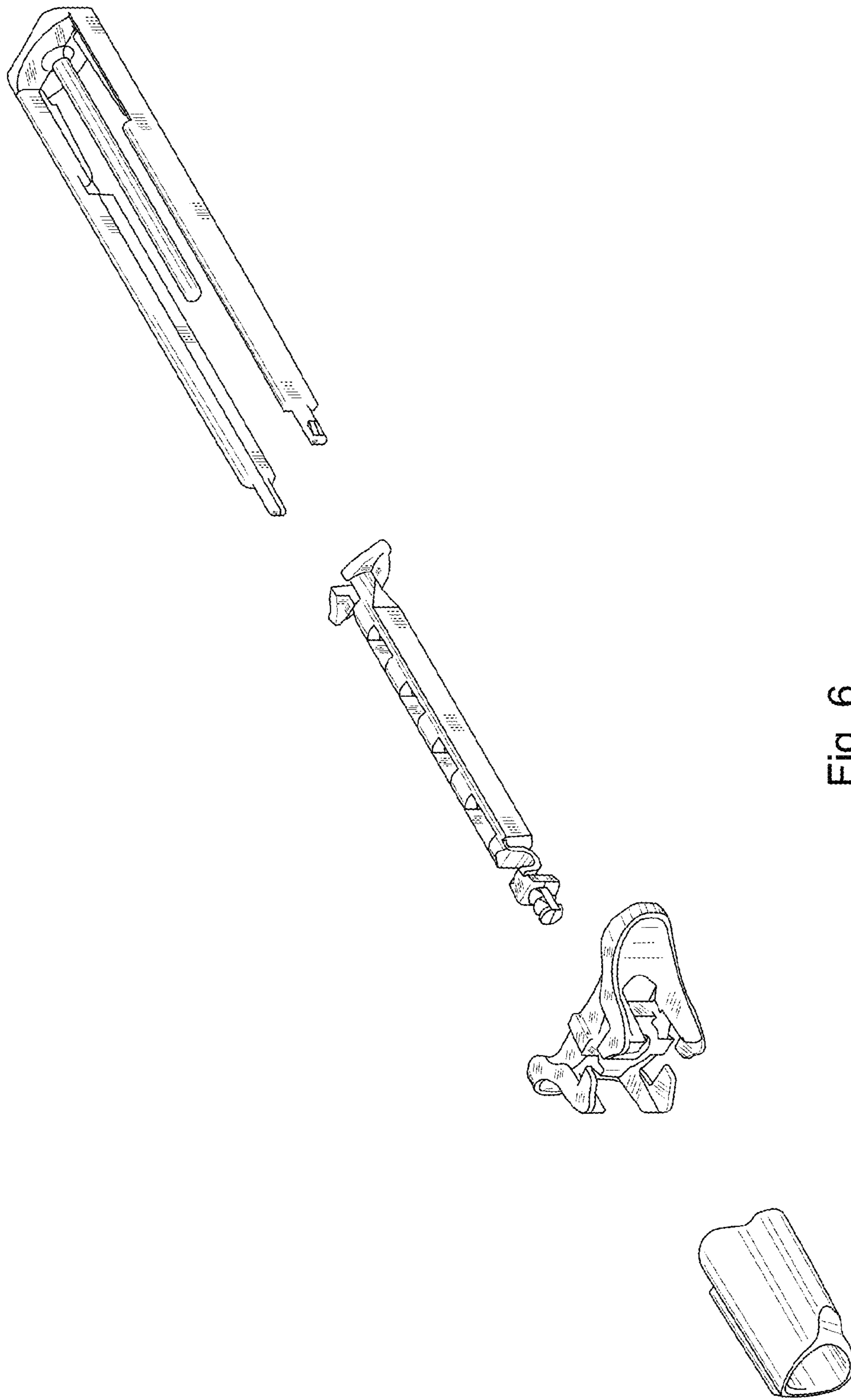


Fig. 6