



US00D765238S

(12) **United States Design Patent**
Rasowsky

(10) **Patent No.:** **US D765,238 S**

(45) **Date of Patent:** **** Aug. 30, 2016**

(54) **MEDICAL DEVICE FOR PERISTALTIC PUMP**

(71) Applicant: **Amir Rasowsky**, Yakir (IL)

(72) Inventor: **Amir Rasowsky**, Yakir (IL)

(73) Assignee: **Q-CORE Medical Ltd.**, Petach-Tikva (IL)

(**) Term: **14 Years**

(21) Appl. No.: **29/507,671**

(22) Filed: **Oct. 30, 2014**

(51) **LOC (10) Cl.** **24-02**

(52) **U.S. Cl.**
USPC **D24/111**

(58) **Field of Classification Search**
USPC D24/111, 108, 127-130, 110
CPC A61M 3/0258; A61M 5/14228; A61M
2205/12
See application file for complete search history.

(56) **References Cited**

U.S. PATENT DOCUMENTS

- 4,662,829 A * 5/1987 Nehring F04B 43/06
417/395
- D371,194 S * 6/1996 Marston D24/111
- 5,575,632 A * 11/1996 Morris A61M 5/14228
128/DIG. 12

- D504,507 S * 4/2005 Ziegler D24/111
- D642,677 S * 8/2011 Boaz D24/111
- D667,946 S * 9/2012 Levesque D24/111
- D687,948 S * 8/2013 Levesque D24/111
- D706,415 S * 6/2014 Levesque D24/111
- D733,868 S * 7/2015 Boaz D24/111

* cited by examiner

Primary Examiner — Charles Hanson

(74) *Attorney, Agent, or Firm* — Eitan, Mehulal & Sadot

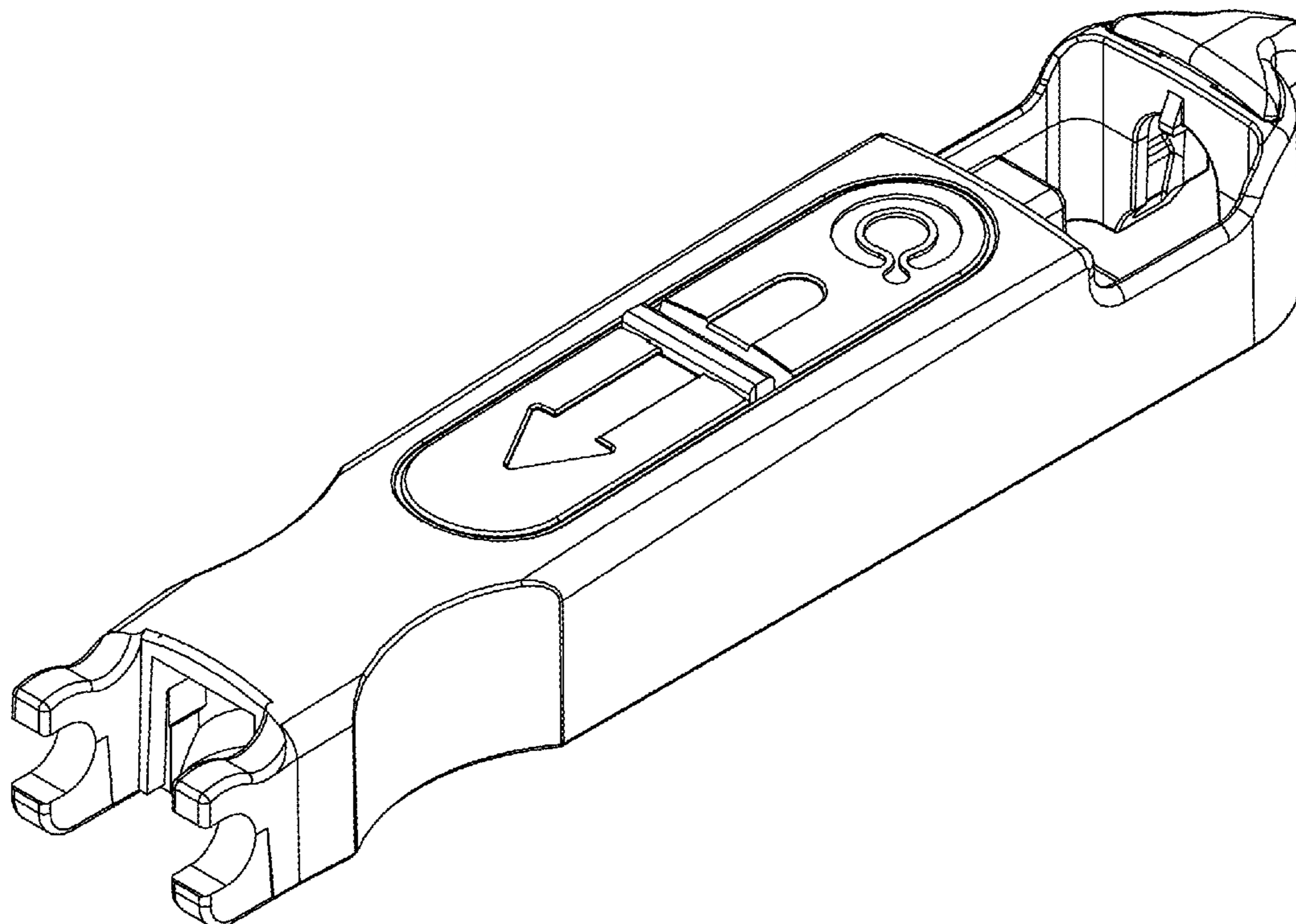
(57) **CLAIM**

The ornamental design for a medical device for peristaltic pump, as shown and described.

DESCRIPTION

FIG. 1 is a first perspective view of the medical device for peristaltic pump;
 FIG. 2 is a second perspective view thereof;
 FIG. 3 is a top view thereof;
 FIG. 4 is a bottom view thereof;
 FIG. 5 is a right side view thereof;
 FIG. 6 is a left side view thereof;
 FIG. 7 is a front view thereof; and,
 FIG. 8 is a rear view thereof.
 Portions of the article shown in broken lines form no part of the claimed design.

1 Claim, 8 Drawing Sheets



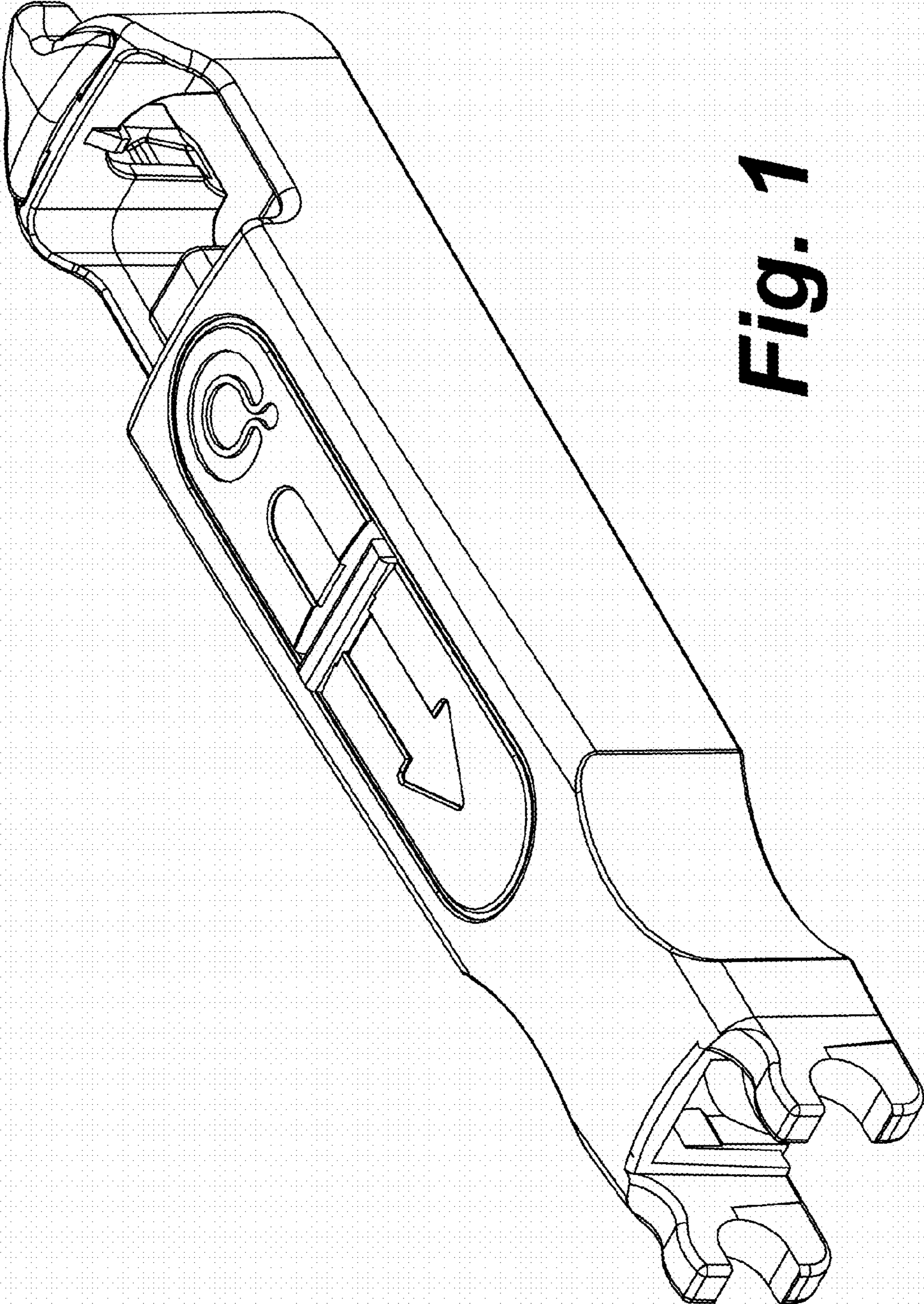


Fig. 1

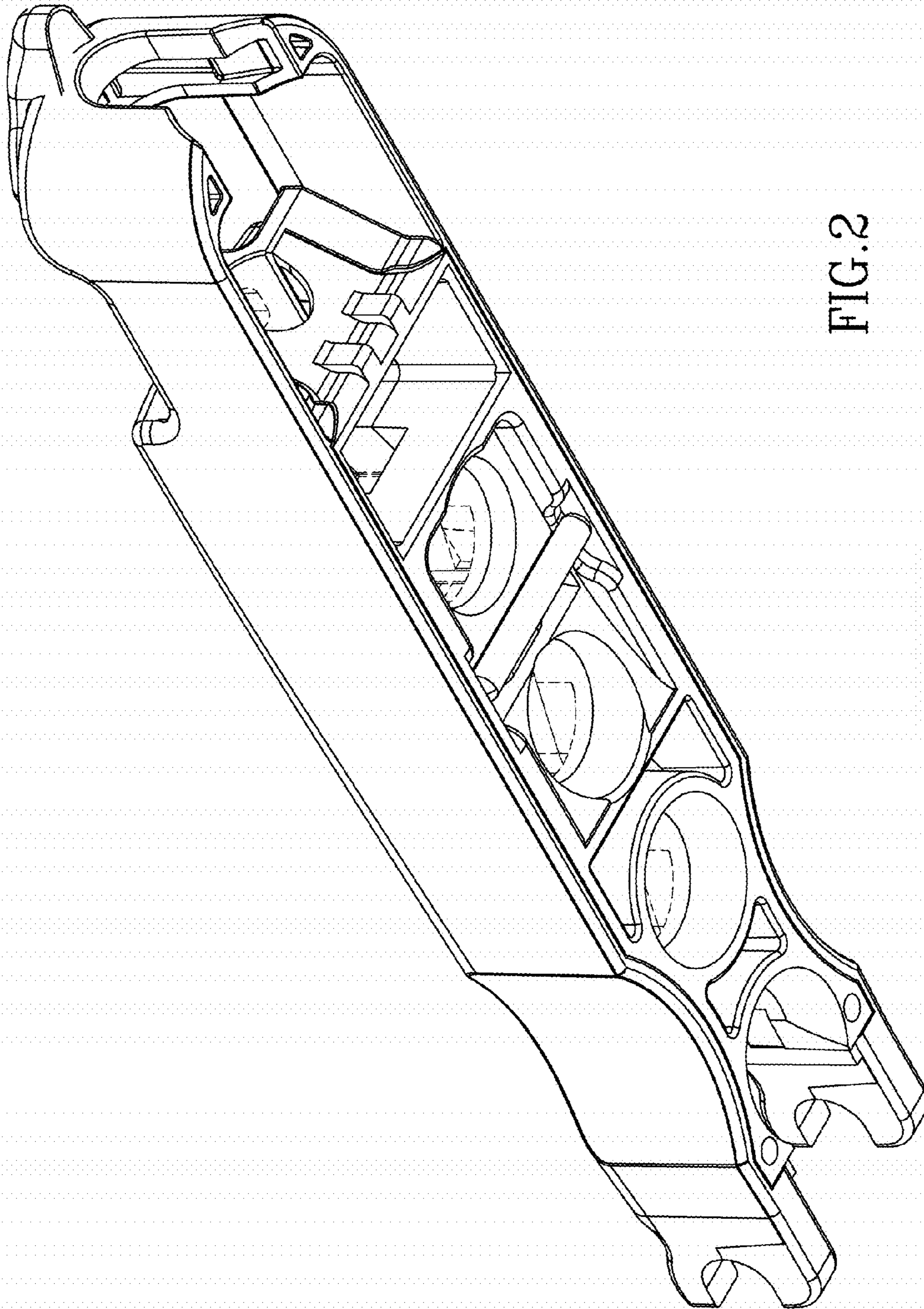


FIG.2

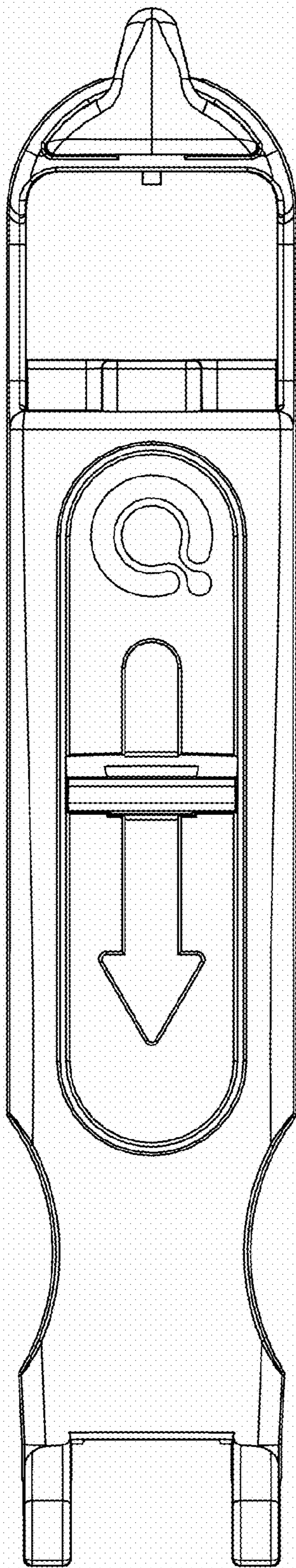


Fig. 3

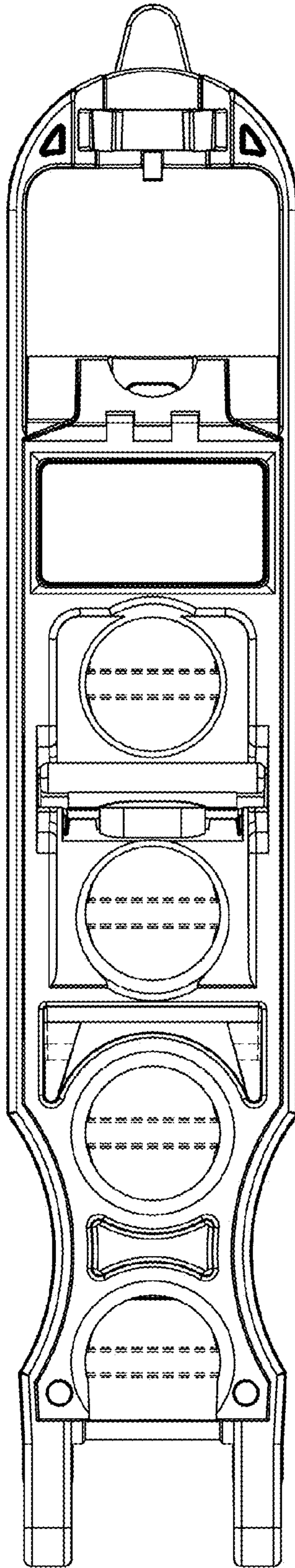


FIG. 4

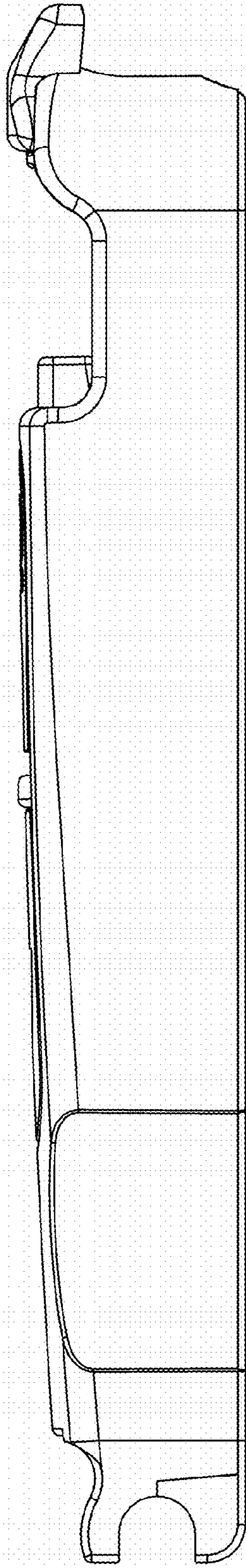


Fig. 5

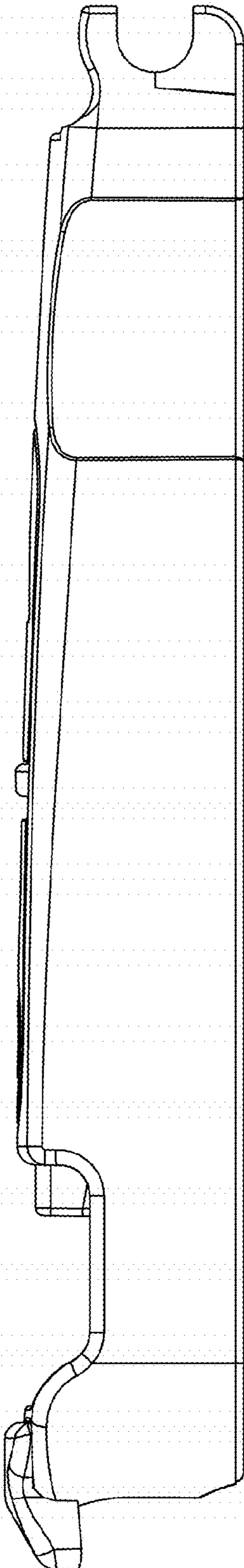


Fig. 6

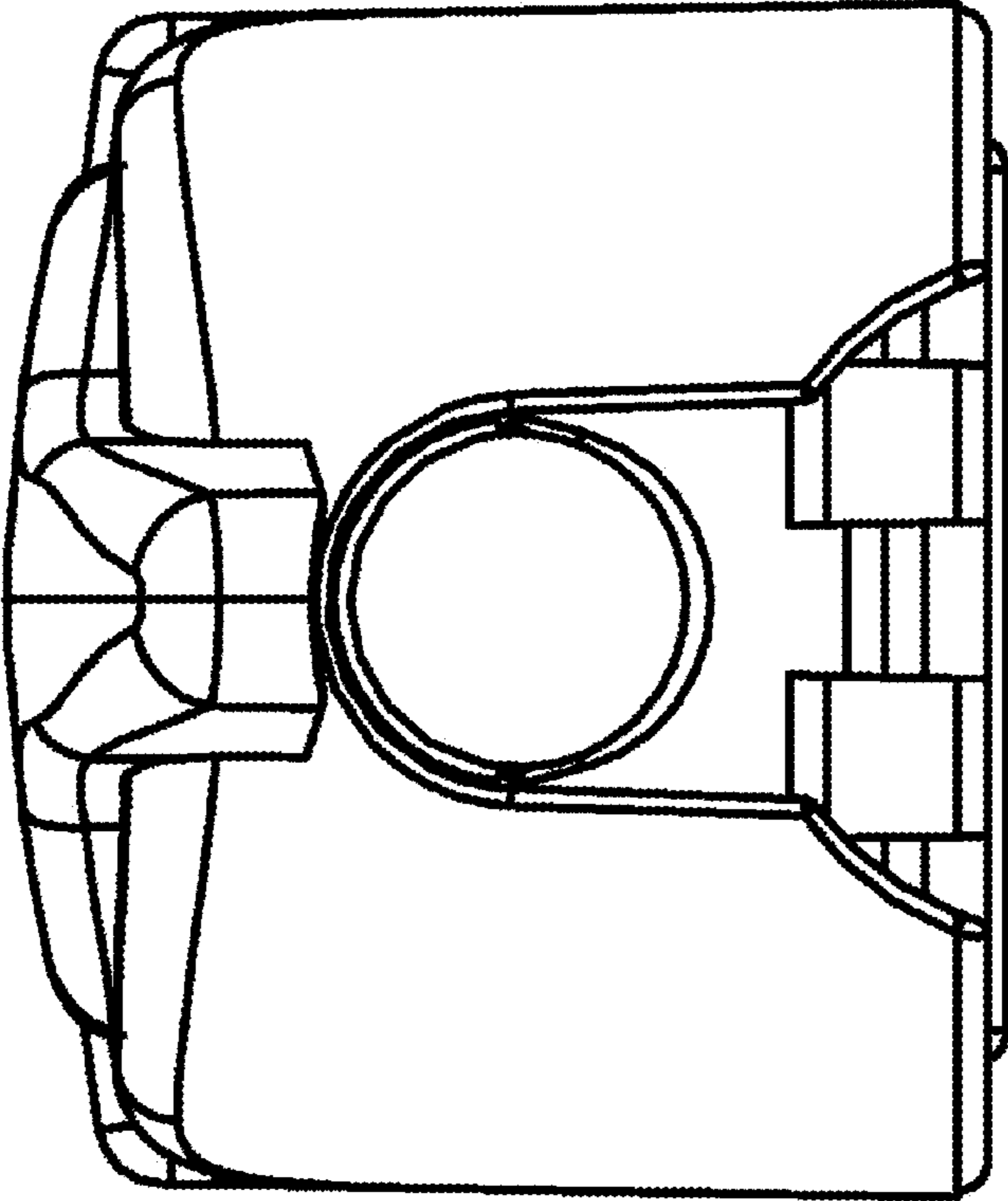


Fig. 7

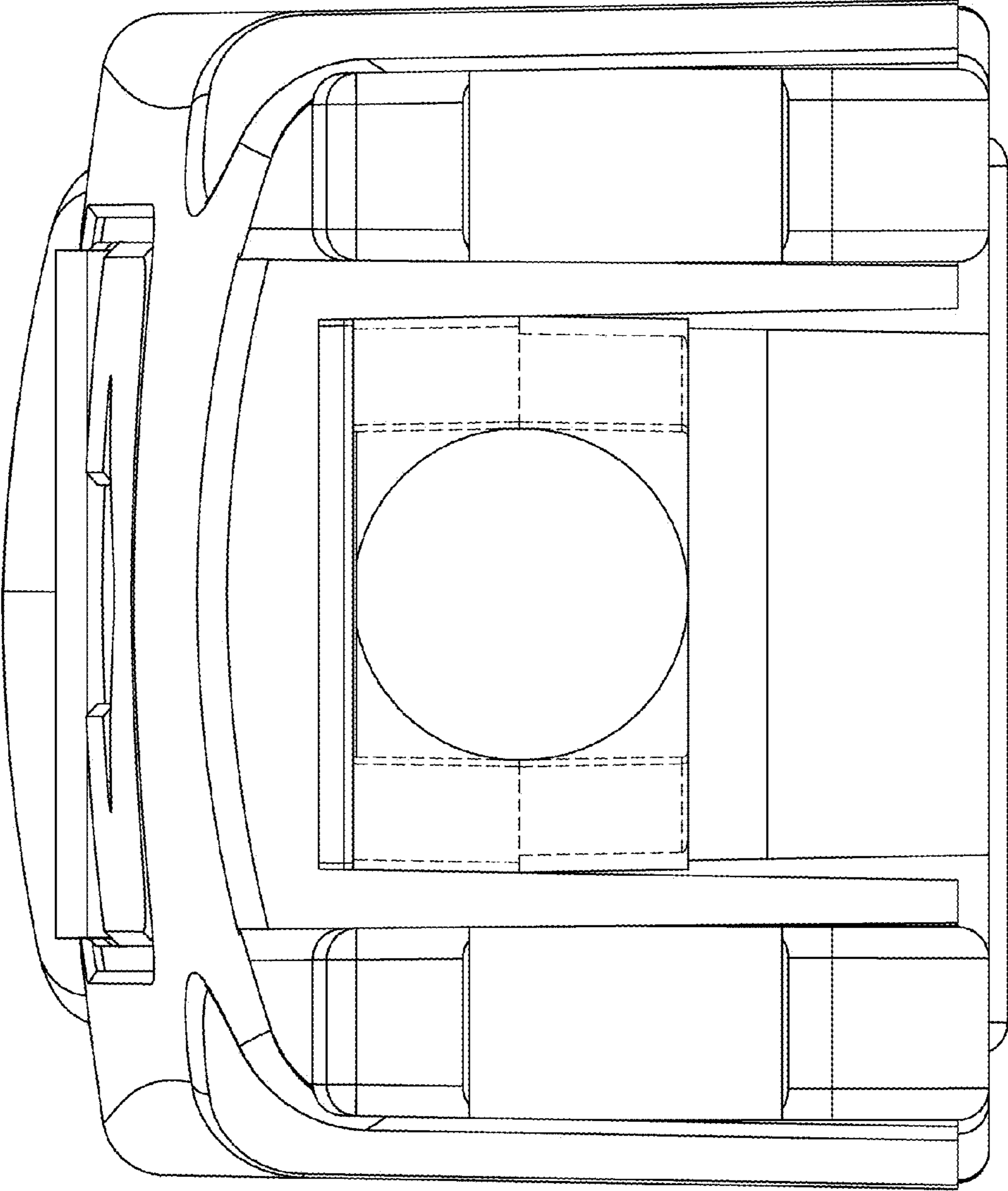


FIG. 8