



US00D765237S

(12) **United States Design Patent**  
**Danford**

(10) **Patent No.:** **US D765,237 S**

(45) **Date of Patent:** **\*\* Aug. 30, 2016**

(54) **RESISTANCE BREATHING DEVICE**

(71) Applicant: **TrainingMask L.L.C.**, Cadillac, MI (US)

(72) Inventor: **Casey Danford**, Cadillac, MI (US)

(73) Assignee: **TrainingMask, LLC**, Cadillac, MI (US)

(\*\*) Term: **15 Years**

(21) Appl. No.: **29/544,580**

(22) Filed: **Nov. 4, 2015**

(51) **LOC (10) Cl.** ..... **29-02**

(52) **U.S. Cl.**  
USPC ..... **D24/110.1**

(58) **Field of Classification Search**  
USPC ..... D24/107-108, 110-110.5, 127, 164;  
D29/108  
CPC .. A62B 18/02; A62B 18/025; A62B 23/025;  
A62B 7/10; A62B 9/02; A63B 23/18  
See application file for complete search history.

(56) **References Cited**

**U.S. PATENT DOCUMENTS**

|              |         |              |           |
|--------------|---------|--------------|-----------|
| 936,247 A    | 10/1909 | Kuhn         |           |
| 3,097,642 A  | 7/1963  | Russell      |           |
| 3,633,575 A  | 1/1972  | Brumfield    |           |
| 3,850,171 A  | 11/1974 | Ball et al.  |           |
| 4,064,876 A  | 12/1977 | Mulchi       |           |
| 4,221,381 A  | 9/1980  | Ericson      |           |
| 4,549,543 A  | 10/1985 | Moon         |           |
| 4,601,465 A  | 7/1986  | Roy          |           |
| 4,739,987 A  | 4/1988  | Nicholson    |           |
| 4,770,413 A  | 9/1988  | Green        |           |
| 4,961,420 A  | 10/1990 | Cappa et al. |           |
| 4,973,047 A  | 11/1990 | Norell       |           |
| 5,117,821 A  | 6/1992  | White        |           |
| 5,167,819 A  | 12/1992 | Iana et al.  |           |
| D340,317 S * | 10/1993 | Cole         | D24/110.1 |
| 5,697,105 A  | 12/1997 | White        |           |
| 5,799,652 A  | 9/1998  | Kotliar      |           |

|               |         |         |                          |
|---------------|---------|---------|--------------------------|
| 5,848,589 A   | 12/1998 | Welnetz |                          |
| 5,850,833 A   | 12/1998 | Kotliar |                          |
| 5,884,336 A * | 3/1999  | Stout   | A62B 9/003<br>128/205.27 |
| 5,924,419 A   | 7/1999  | Kotliar |                          |

(Continued)

**FOREIGN PATENT DOCUMENTS**

|    |         |         |
|----|---------|---------|
| CN | 3416108 | 12/2004 |
| CN | 3525464 | 4/2006  |

(Continued)

**OTHER PUBLICATIONS**

Design Patent Right Evaluation Report dated Mar. 21, 2016, issued by the State Intellectual Property Office of China in Patent No. ZL201530349470.4.

(Continued)

*Primary Examiner* — Barbara Fox  
*Assistant Examiner* — Lilyana Bekic  
(74) *Attorney, Agent, or Firm* — Greenberg Traurig, LLP

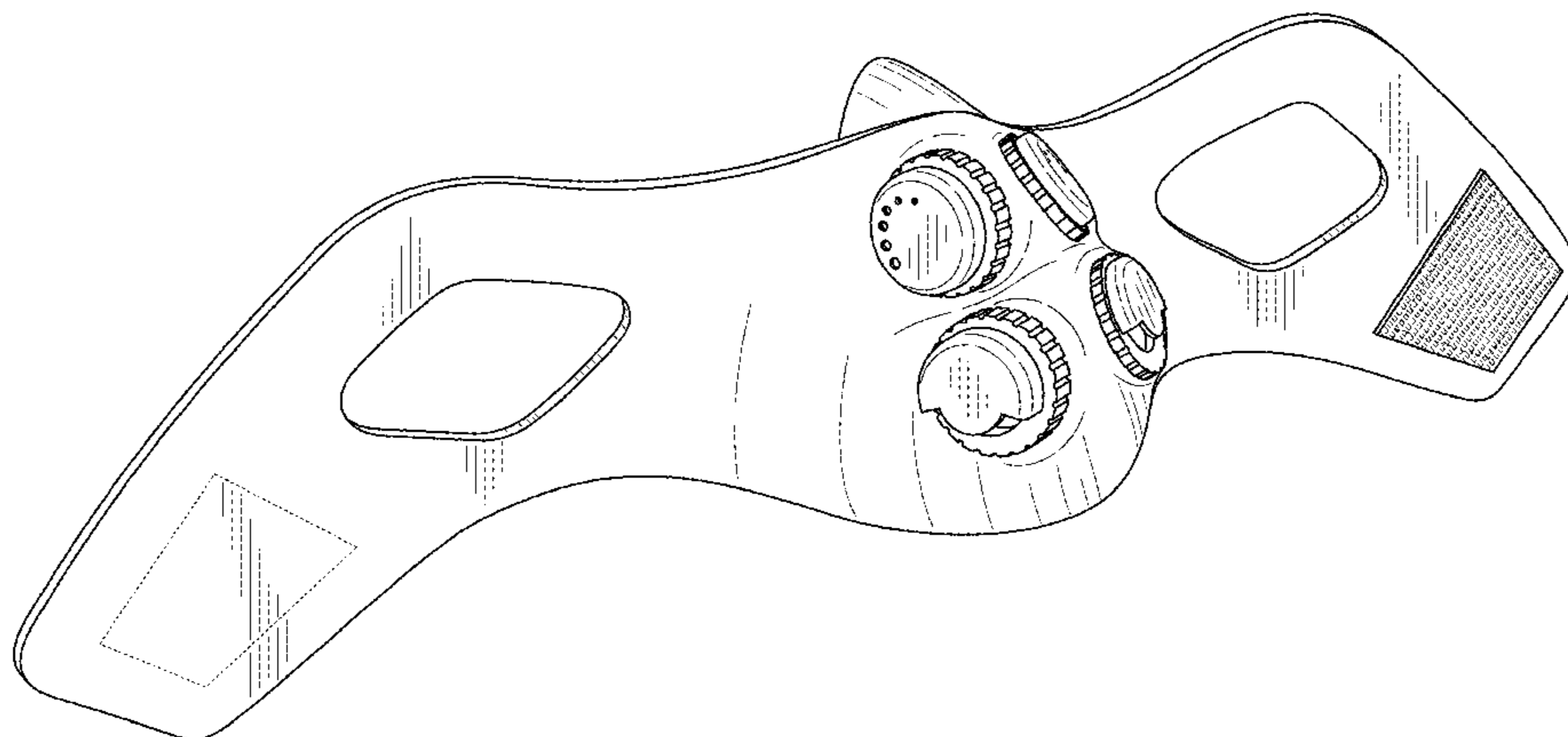
(57) **CLAIM**

An ornamental design for a resistance breathing device, as shown and described.

**DESCRIPTION**

FIG. 1 is a top perspective view of a resistance breathing device showing my new design; FIG. 2 is a front elevational view thereof; FIG. 3 is a rear elevational view thereof; FIG. 4 is a left side elevational view thereof; FIG. 5 is right side elevational view thereof; FIG. 6 is a top plan view thereof; and, FIG. 7 is a bottom plan view thereof. The broken lines in the drawings illustrate stitching on the resistance breathing device that form part of the claimed design.

**1 Claim, 5 Drawing Sheets**



(56)

References Cited

U.S. PATENT DOCUMENTS

5,964,222 A 10/1999 Kotliar  
 D440,302 S \* 4/2001 Wolfe ..... D24/110.1  
 6,471,621 B2 10/2002 Hörstel et al.  
 6,508,850 B1 1/2003 Kotliar  
 6,554,746 B1 4/2003 McConnell et al.  
 6,606,751 B1 8/2003 Kalhok et al.  
 6,644,308 B2 11/2003 Kalhok et al.  
 7,523,755 B2 4/2009 Richardson et al.  
 D636,128 S \* 4/2011 Hancock ..... D29/108  
 7,931,733 B2 4/2011 Kotliar  
 D645,956 S 9/2011 Grimsley  
 8,365,734 B1 2/2013 Lehman  
 8,590,533 B2 11/2013 Danford  
 D694,875 S 12/2013 D'Souza et al.  
 9,067,086 B2 6/2015 Danford  
 2001/0007651 A1 7/2001 Fust  
 2001/0029750 A1 10/2001 Kotliar  
 2002/0023762 A1 2/2002 Kotliar  
 2002/0100893 A1 8/2002 Schultz  
 2002/0162556 A1 11/2002 Smith et al.  
 2003/0154984 A1 \* 8/2003 Fernandes ..... A41D 13/1146  
 D24/110.1  
 2004/0146842 A1 7/2004 Carlucci et al.  
 2004/0226563 A1 11/2004 Xu et al.  
 2008/0178884 A1 7/2008 Gerson et al.  
 2008/0202774 A1 8/2008 Kotliar  
 2008/0210240 A1 9/2008 Kotliar  
 2009/0320848 A1 12/2009 Steindorf et al.  
 2010/0024826 A1 \* 2/2010 Sullivan, Jr. .... A41D 13/1146  
 128/207.11  
 2010/0101584 A1 4/2010 Bledstein et al.  
 2011/0212811 A1 9/2011 Rutten  
 2012/0103339 A1 \* 5/2012 Koehler ..... A41D 13/1146  
 128/206.14

2012/0247474 A1\* 10/2012 Torbenson ..... A62B 18/02  
 128/206.15  
 2013/0319420 A1 12/2013 Danford  
 2016/0089553 A1 3/2016 Dickstein et al.  
 2016/0129287 A1\* 5/2016 Danford ..... A62B 23/025  
 128/863

FOREIGN PATENT DOCUMENTS

CN 300733965 1/2008  
 CN 302560932 S 9/2013  
 CN 303312122 S 7/2015  
 EP 2 425 875 A1 3/2012  
 KR 30-0514514 12/2008  
 KR 30-0586700 1/2011  
 KR 30-0778665 1/2015  
 WO 00/04957 A1 2/2000  
 WO 2010/127161 A2 11/2010  
 WO 2010/127161 A3 11/2010

OTHER PUBLICATIONS

Utility U.S. Appl. No. 14/536,794, filed Nov. 10, 2014, entitled  
 "Scent Suppression Mask" (23 pages).  
 Utility U.S. Appl. No. 14/535,641, filed Nov. 7, 2014, entitled  
 "Breathing Mask With Variable Airflow Resistance Insert" (28  
 pages).  
 Design U.S. Appl. No. 29/544,300, filed Nov. 2, 2015, entitled  
 "Resistance and Filtration Breathing Device" (7 pages).  
 Utility U.S. Appl. No. 14/951,837, filed Nov. 25, 2015, entitled  
 "Resistance and Filtration Breathing Device" (42 pages).  
 International Search Report and Written Opinion dated Dec. 7,  
 2015, issued in International (PCT) Patent Application No. PCT/  
 US2015/051364, filed Sep. 22, 2015 (15 pages).

\* cited by examiner

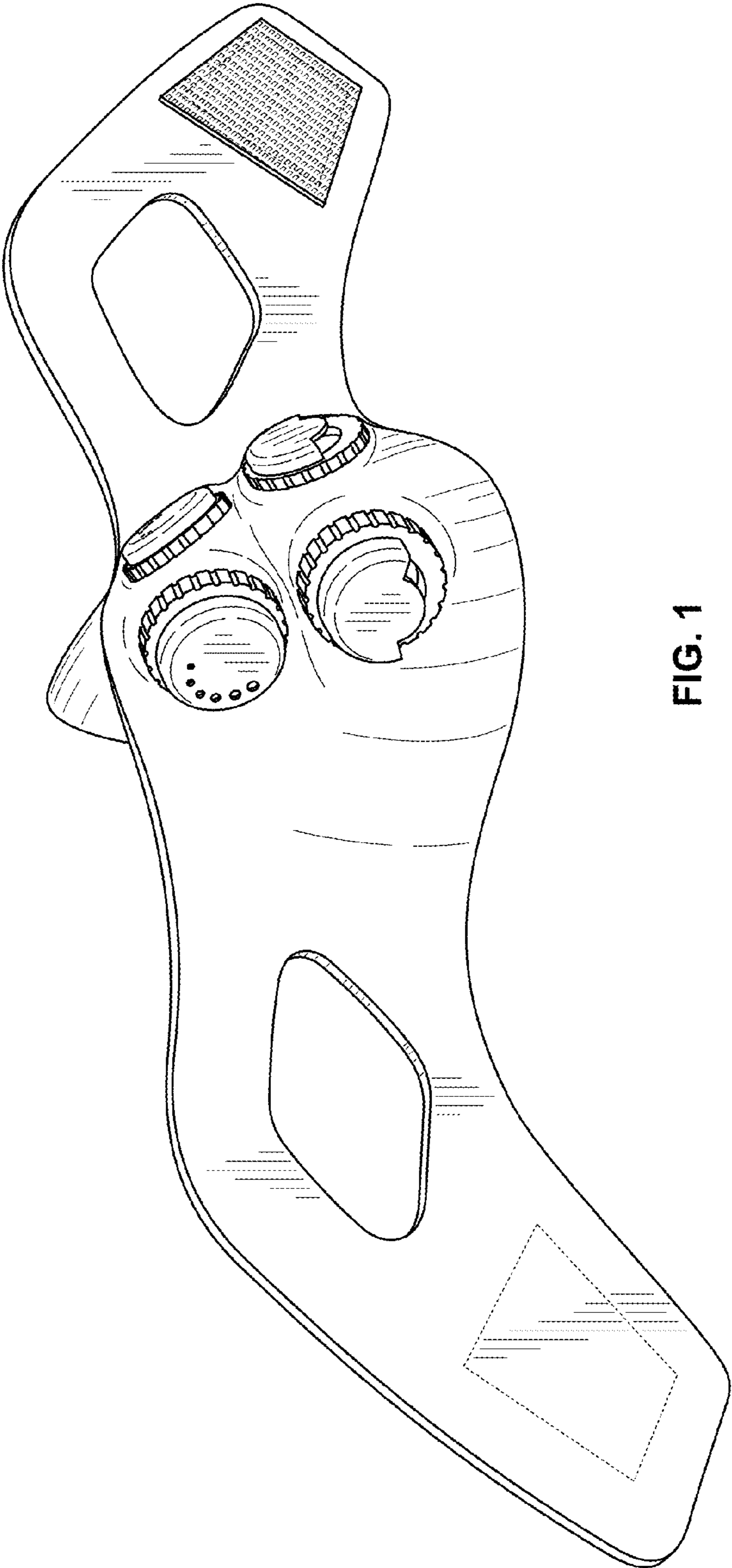


FIG. 1

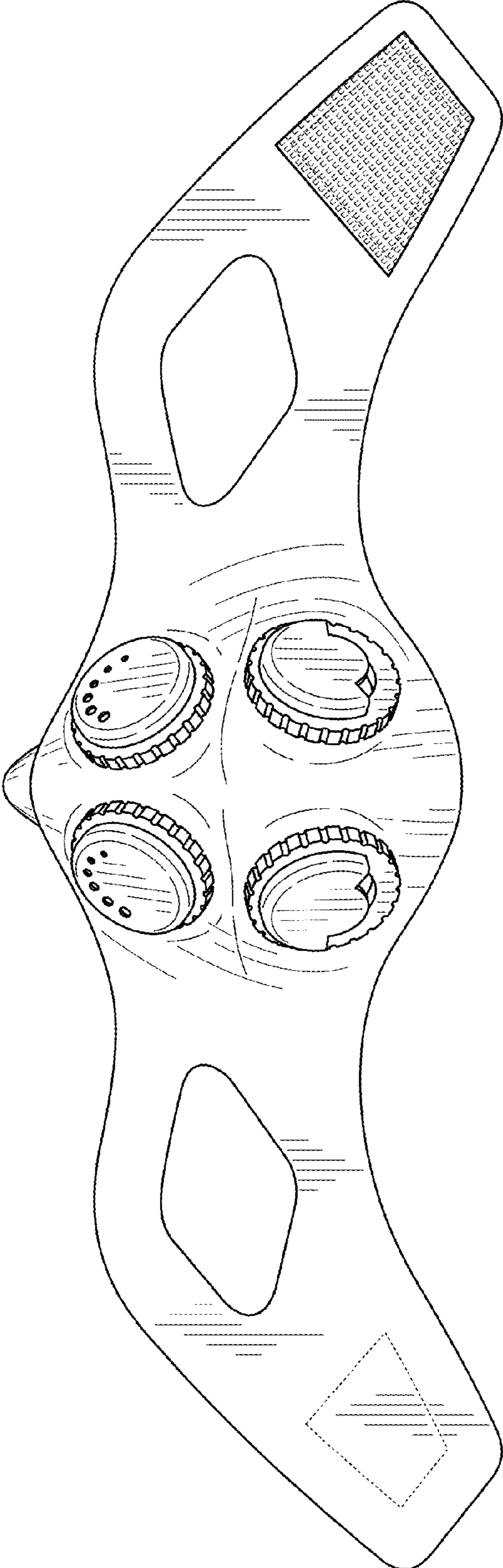


FIG. 2

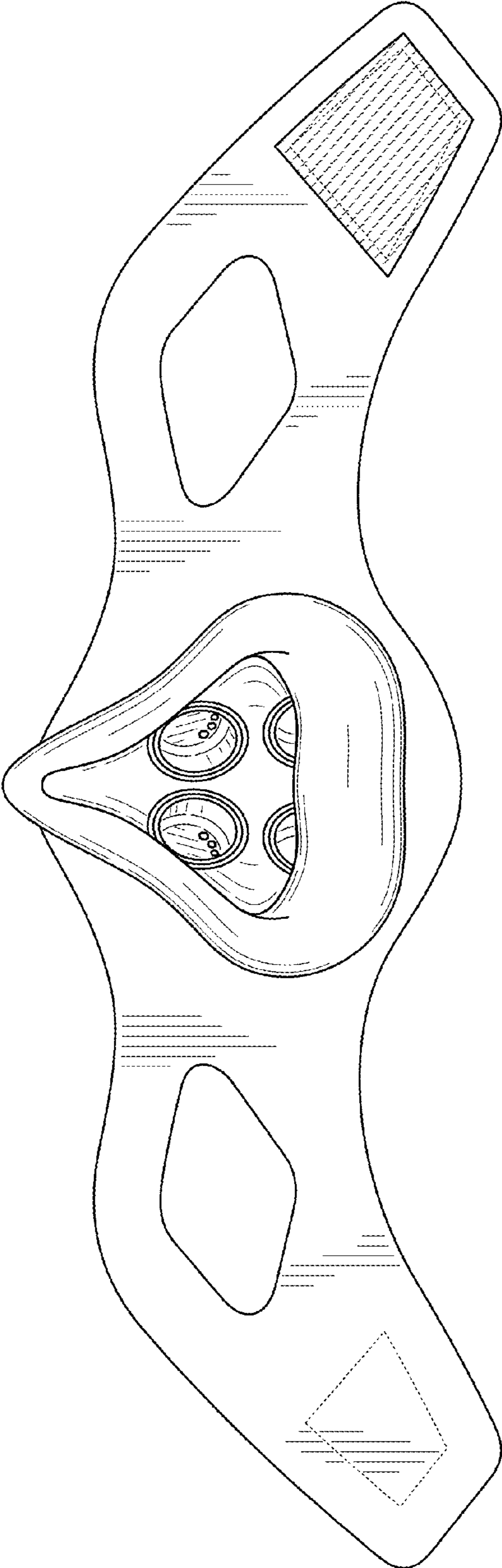


FIG. 3

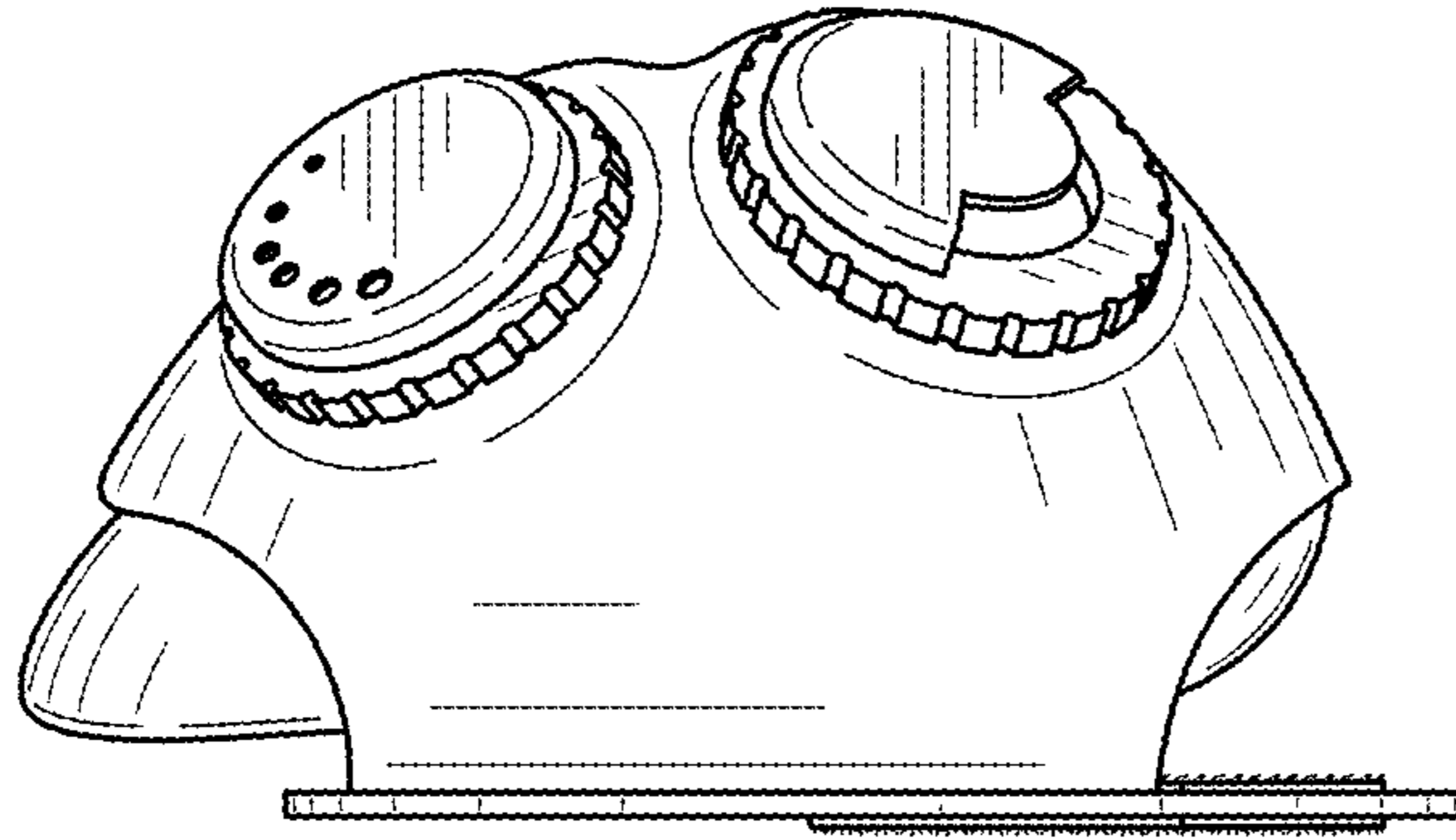


FIG. 5

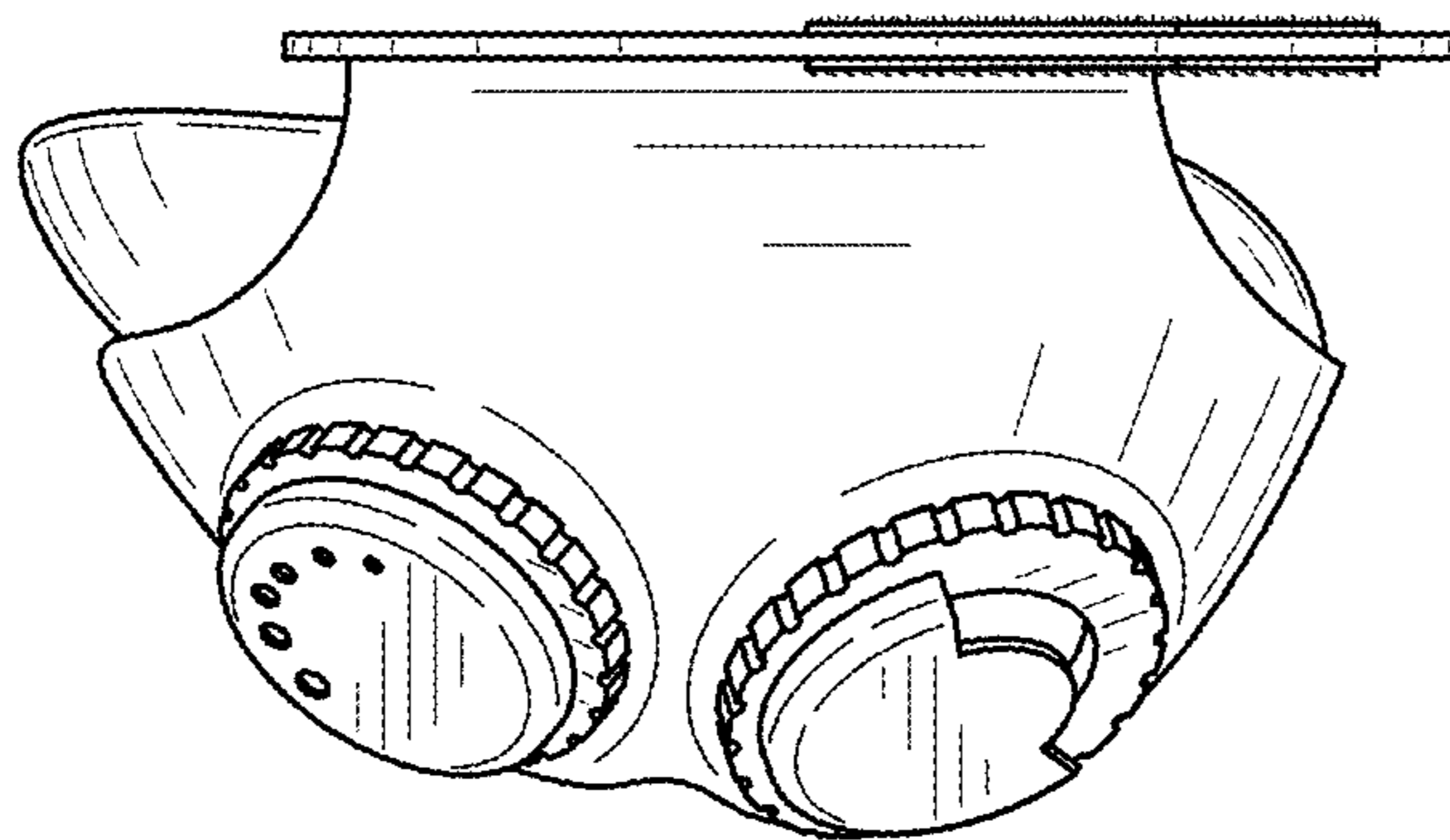


FIG. 4

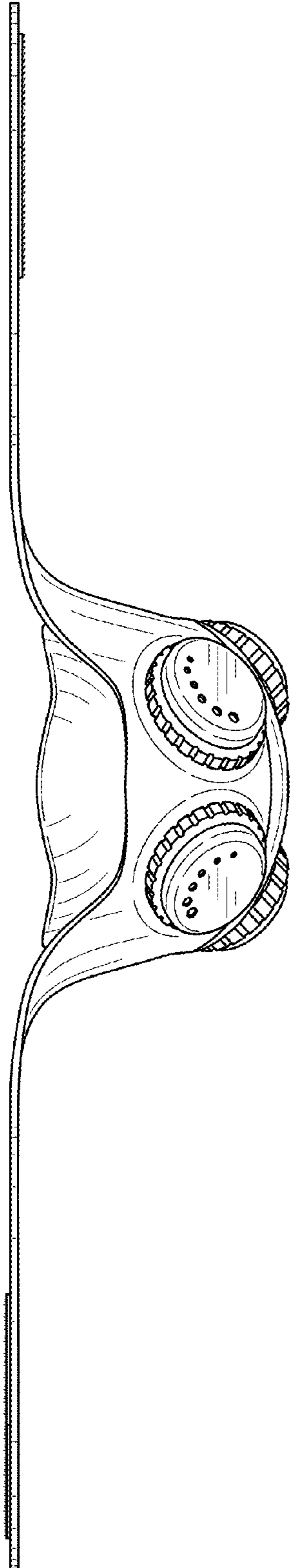


FIG. 6

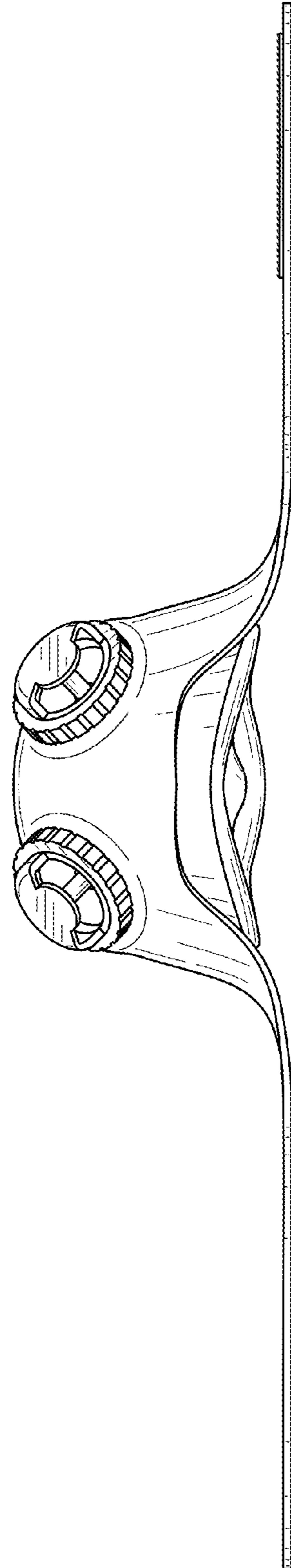


FIG. 7