



US00D765236S

(12) **United States Design Patent** (10) **Patent No.:** **US D765,236 S**
Harris (45) **Date of Patent:** **** Aug. 30, 2016**

(54) **HEATING, VENTILATION AND AIR-CONDITIONING UNIT**
(71) Applicant: **Fusion HVAC Pty Limited**, West End, Queensland (AU)
(72) Inventor: **Kevin Harris**, West End (AU)
(73) Assignee: **FUSION HVAC PTY LIMITED**, Queensland (AU)
(**) Term: **14 Years**
(21) Appl. No.: **29/498,602**

D401,306 S * 11/1998 Ward D23/209
D401,687 S * 11/1998 Pearce D23/411
D463,524 S * 9/2002 Ellis D23/209
D470,216 S * 2/2003 Gustafson D23/209
D471,623 S * 3/2003 Gieseke D23/365
D475,129 S * 5/2003 Ward D23/365
D476,725 S * 7/2003 Dushek D23/365
D513,304 S * 12/2005 Suzuki D23/209
D612,925 S * 3/2010 Kameyama D23/393
D621,915 S * 8/2010 Fima D23/261
D637,690 S * 5/2011 Riedel D23/209
D646,350 S * 10/2011 Salvador D23/209
D652,497 S * 1/2012 Troxell D23/365
D658,281 S * 4/2012 Goemans D23/387
D694,871 S * 12/2013 Maholick D23/365

(Continued)

(22) Filed: **Aug. 5, 2014**
(30) **Foreign Application Priority Data**
Feb. 6, 2014 (AU) 105852014
(51) **LOC (10) Cl.** **23-04**
(52) **U.S. Cl.**
USPC **D23/386**
(58) **Field of Classification Search**
USPC D23/385-395, 397, 370-373, 365, 351, D23/354, 399-403, 421, 499; 454/309, 454/275-277, 284, 287-291, 358-363; 52/302.1, 32.07; 285/229, 189, 183, 285/123.1, 15, 114, 110, 424, 197; 165/59; 34/97
CPC F24F 11/0012; F24F 11/0076
See application file for complete search history.

OTHER PUBLICATIONS

Fusion HVAC Pty Limited website, Modular image, Oct. 8, 2015, <http://fusionhvac.com.au/solutions/modular>.*

Primary Examiner — David Muller
Assistant Examiner — Nathan Johnston
(74) *Attorney, Agent, or Firm* — Kilpatrick Townsend & Stockton LLP

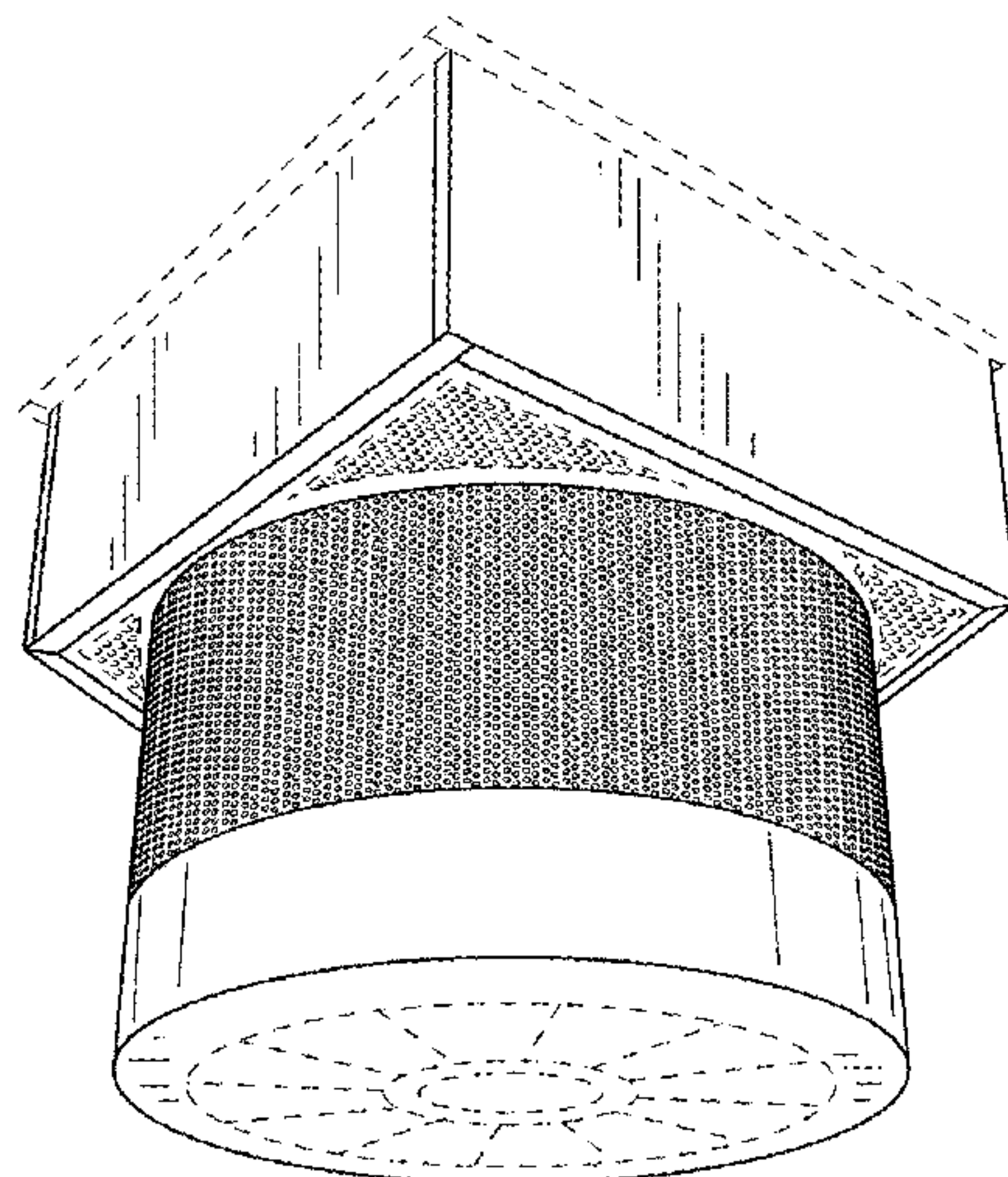
(57) **CLAIM**
The ornamental design for the heating, ventilation and air-conditioning unit, as shown and described.

DESCRIPTION

FIG. 1 is a front perspective view of the heating, ventilation and air-conditioning unit;
FIG. 2 is a bottom plan view thereof;
FIG. 3 is a front elevation view thereof;
FIG. 4 is a rear elevation view thereof;
FIG. 5 is a right side elevation view thereof;
FIG. 6 is a left side elevation view thereof; and,
FIG. 7 is a top plan view thereof.
The features shown in broken lines depict environmental subject matter only and form no part of the claimed design.

1 Claim, 7 Drawing Sheets

(56) **References Cited**
U.S. PATENT DOCUMENTS
D207,561 S * 5/1967 Bedell D23/371
D274,462 S * 6/1984 Rakocy D23/365
D281,272 S * 11/1985 Lynch, Jr. D23/364
D337,818 S * 7/1993 Rutherford D23/371
D376,845 S * 12/1996 Chen D23/377
D387,145 S * 12/1997 Knight D23/354
D390,910 S * 2/1998 Sundquist D23/209



US D765,236 S

Page 2

(56)

References Cited

D724,189 S * 3/2015 Nielson D23/269
D739,513 S * 9/2015 Williams D23/365

U.S. PATENT DOCUMENTS

D721,431 S * 1/2015 Herbst D23/382 * cited by examiner

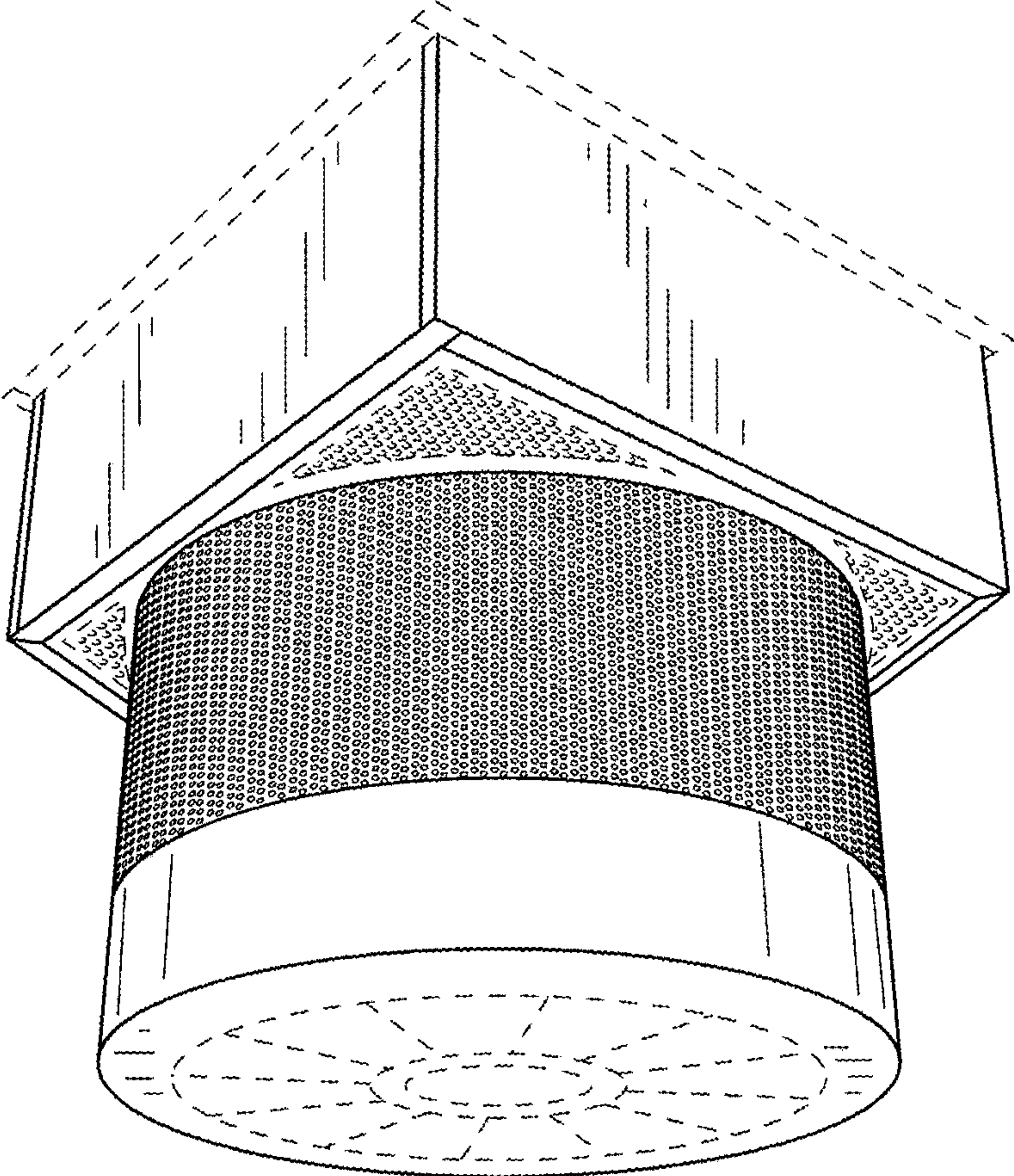


FIG.1

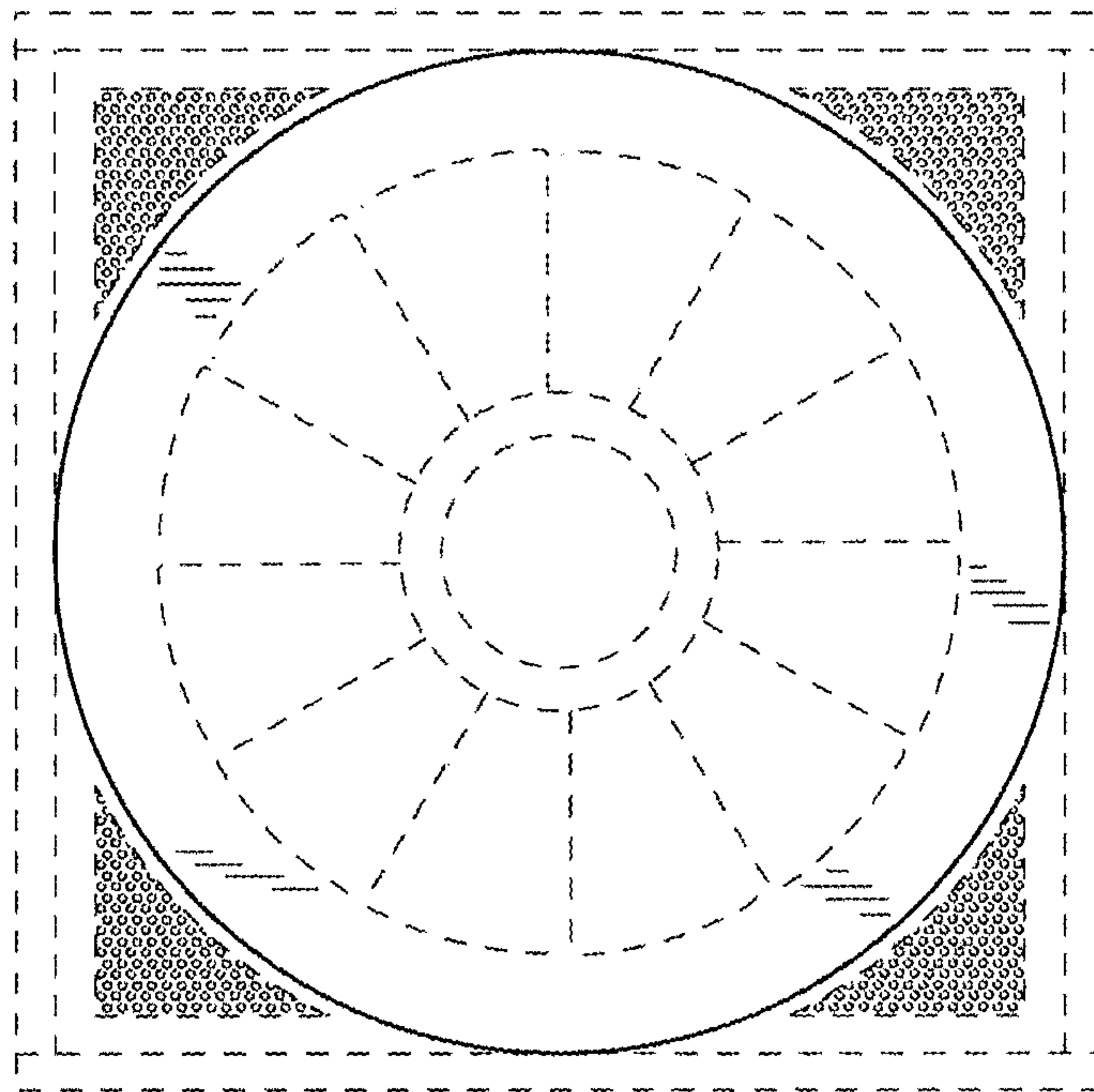


FIG. 2

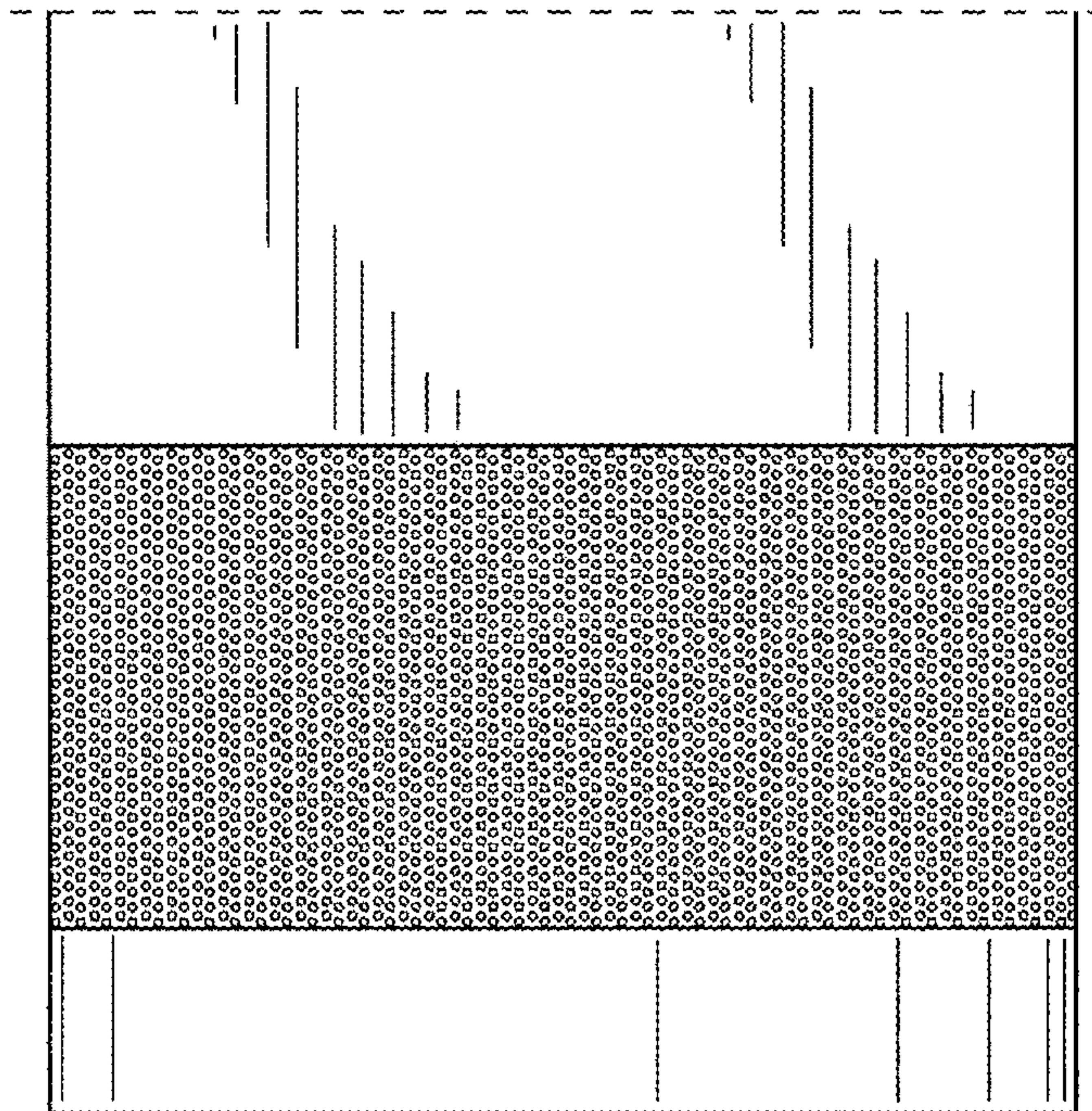


FIG.3

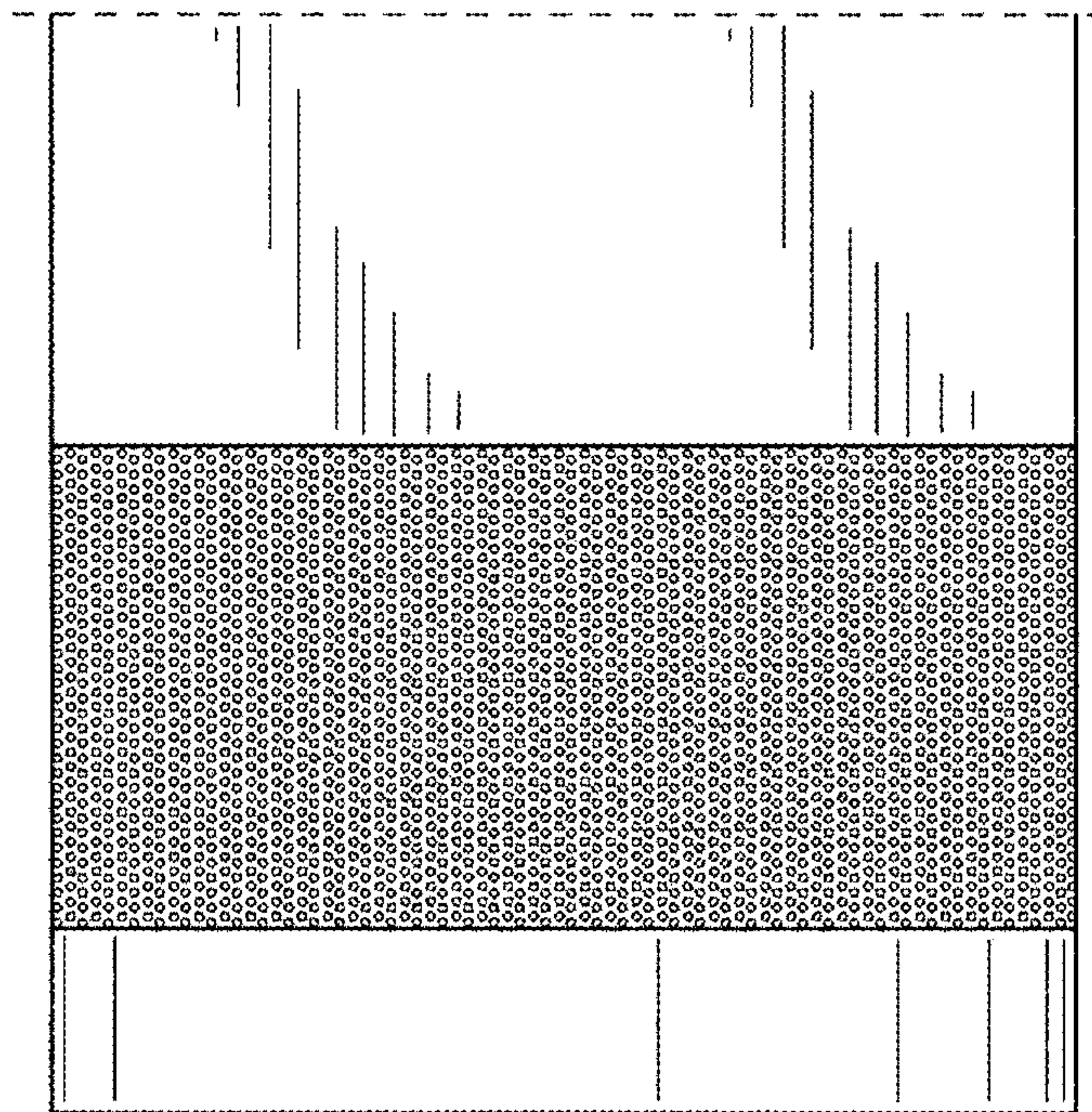


FIG.4

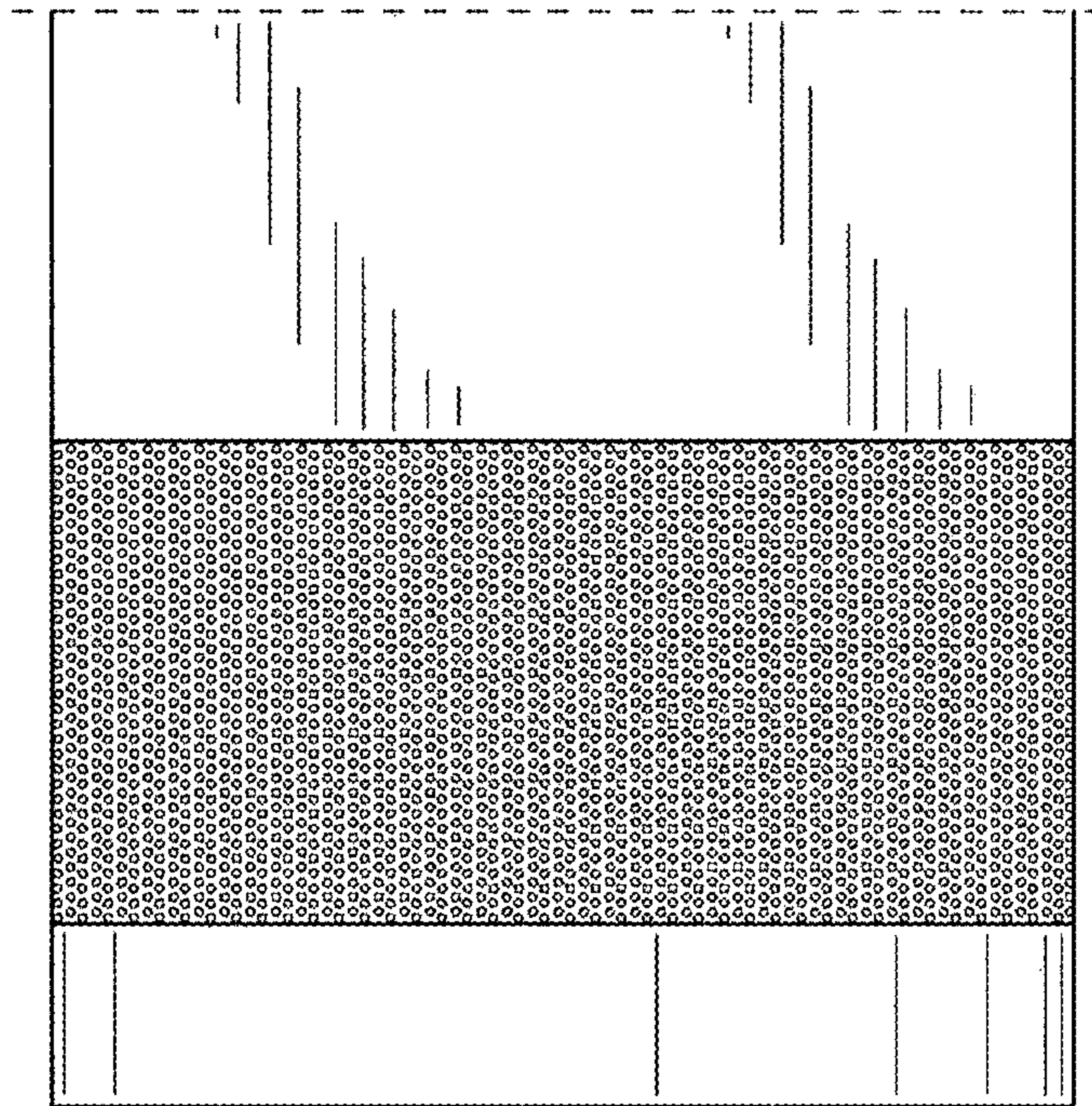


FIG.5

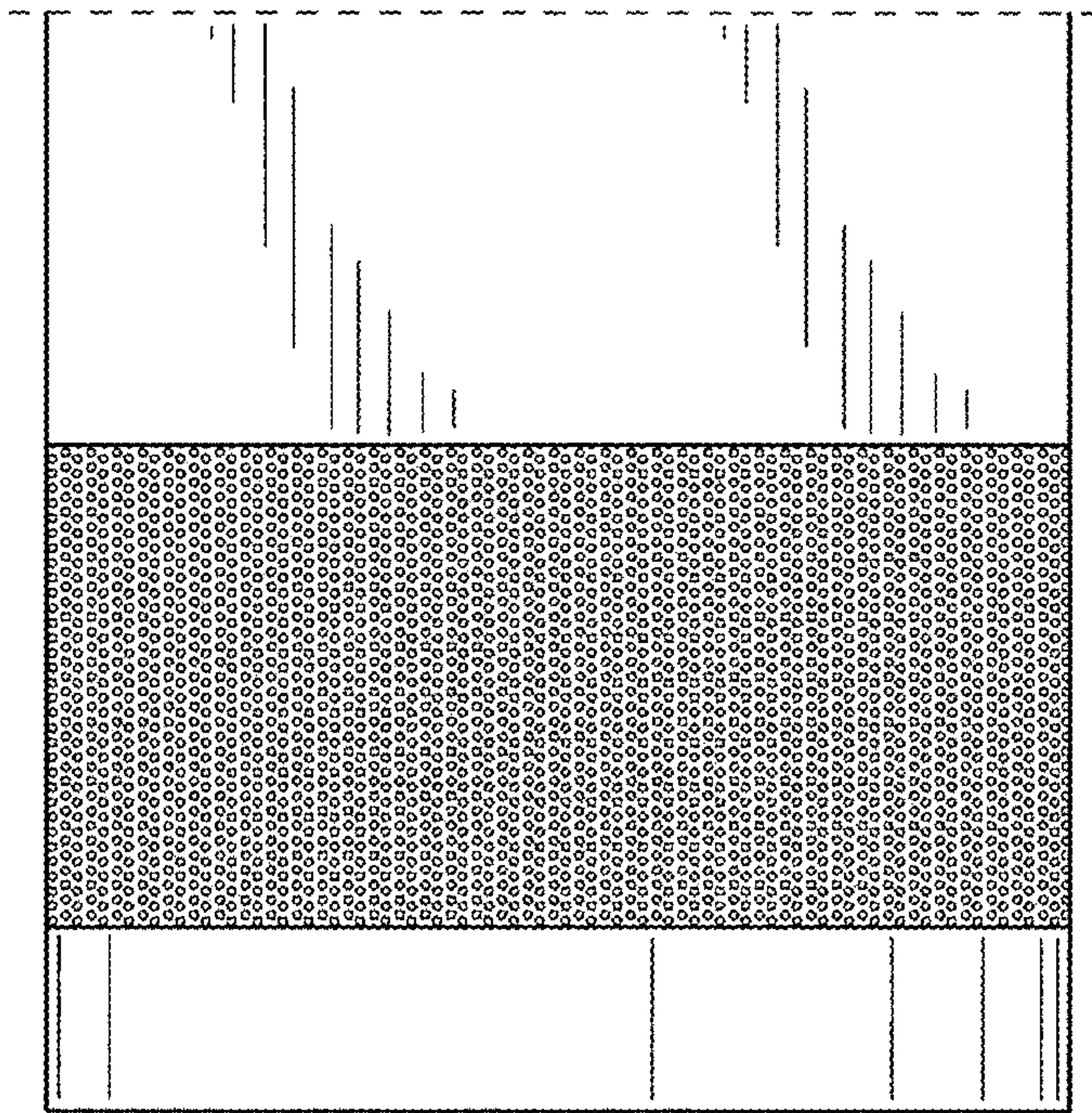


FIG.6

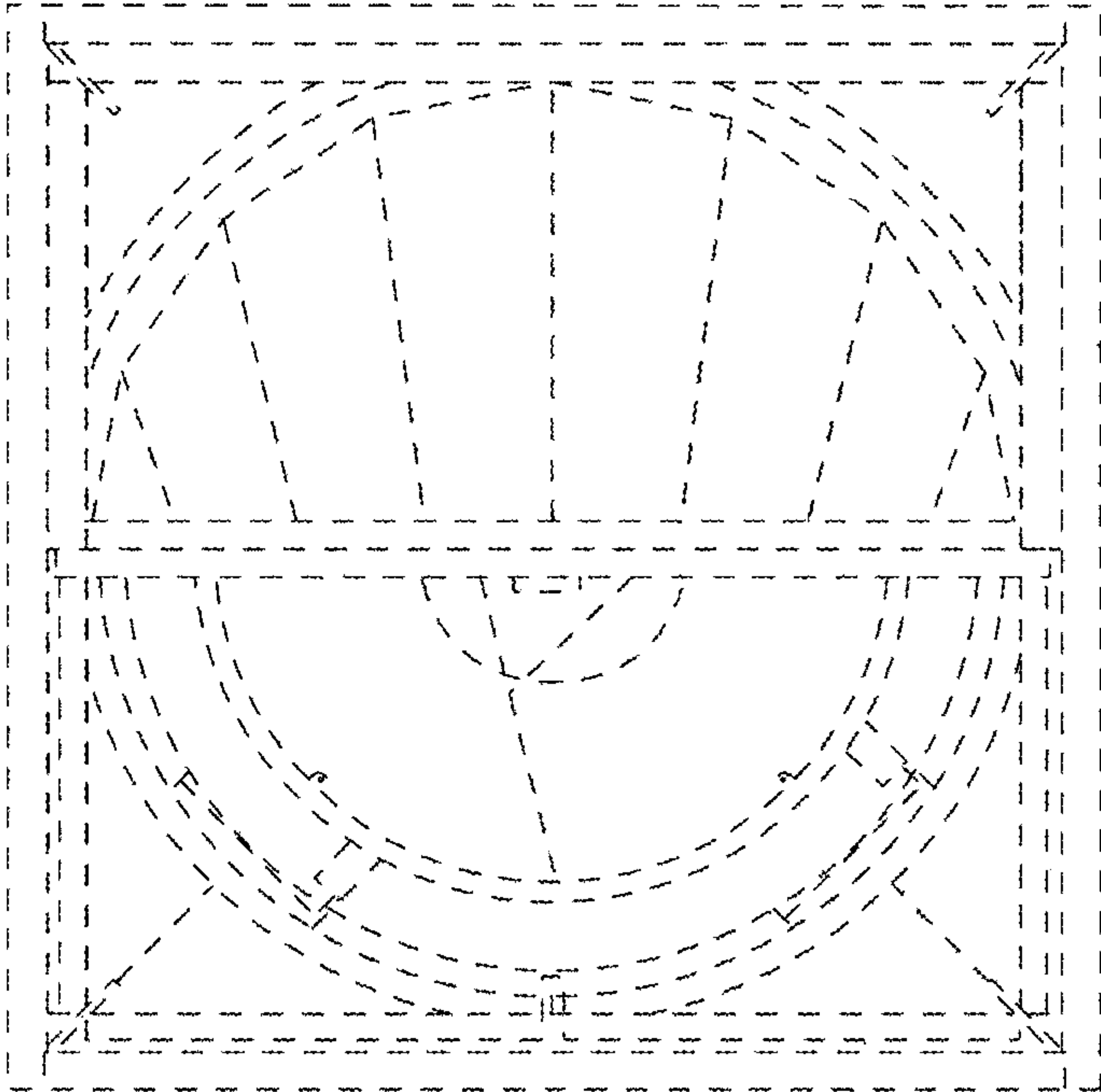


FIG.7