



US00D765233S

(12) **United States Design Patent** (10) **Patent No.:** **US D765,233 S**  
**Lee et al.** (45) **Date of Patent:** **\*\* Aug. 30, 2016**

(54) **AIR CONDITIONER**

(56) **References Cited**

(71) Applicant: **Samsung Electronics Co., Ltd.**,  
Suwon-si, Gyeonggi-do (KR)

U.S. PATENT DOCUMENTS

(72) Inventors: **Dae Kyun Lee**, Suwon-si (KR); **Jin Sook Park**, Uiwang-si (KR); **Hee Jae Jeong**, Seoul (KR)

D531,292 S *	10/2006	Kim .....	D23/351
D556,880 S *	12/2007	Choi .....	D23/351
D558,318 S *	12/2007	Choi .....	D23/351
D571,907 S *	6/2008	Choi .....	D23/351
D584,806 S *	1/2009	Oh .....	D23/351
D605,267 S *	12/2009	Nakamura .....	D23/351
D613,842 S *	4/2010	Yamashita .....	D23/351
D621,018 S *	8/2010	Nagahori .....	D23/351
D621,920 S *	8/2010	Yamana .....	D23/351
D680,634 S *	4/2013	Tsuji .....	D23/351
D683,004 S *	5/2013	Chouji .....	D23/351
D683,832 S *	6/2013	Satou .....	D23/351

(73) Assignee: **SAMSUNG ELECTRONICS CO., LTD.** (KR)

(\*\*) Term: **14 Years**

\* cited by examiner

(21) Appl. No.: **29/506,607**

*Primary Examiner* — George D Kirschbaum

(22) Filed: **Oct. 17, 2014**

*Assistant Examiner* — Natasha Vujcic

(30) **Foreign Application Priority Data**

(74) *Attorney, Agent, or Firm* — Cantor Colburn LLP

Apr. 21, 2014 (KR) ..... 30-2014-0020122

(51) **LOC (10) Cl.** ..... **23-04**

(57) **CLAIM**

We claim, the ornamental design for air conditioner, as shown and described.

(52) **U.S. Cl.**

**DESCRIPTION**

USPC ..... **D23/351**

(58) **Field of Classification Search**

USPC ..... D23/314, 317, 324, 328, 329, 330, 332,  
D23/333, 335, 341, 342, 351, 353, 354, 355,  
D23/356, 359, 364, 365, 370, 385, 386, 388,  
D23/393

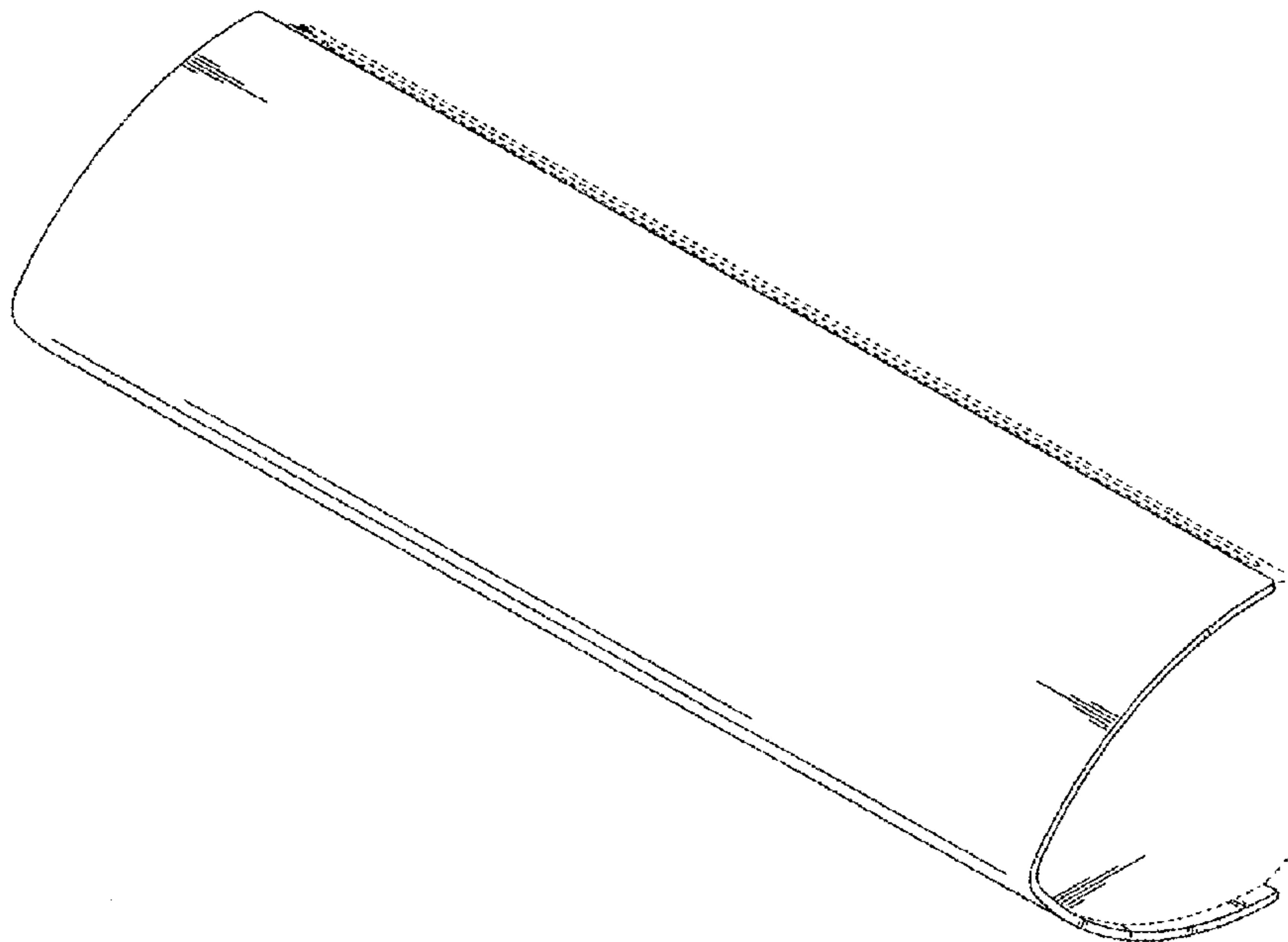
FIG. 1 is the front perspective view of air conditioner showing our new design;  
FIG. 2 is the front view thereof;  
FIG. 3 is the rear view thereof;  
FIG. 4 is the side view thereof;  
FIG. 5 is the side view thereof;  
FIG. 6 is the side plan view thereof; and,  
FIG. 7 is the side plan view thereof.

CPC ..... F24F 1/00; F24F 1/0007; F24F 1/02;  
F24F 1/08; F24F 1/42; F24F 1/56; F24F  
1/60; F24F 3/044; F24F 3/048; F24F 3/16;  
F24F 7/00; F24F 7/04; F24F 12/001; F24F  
12/006

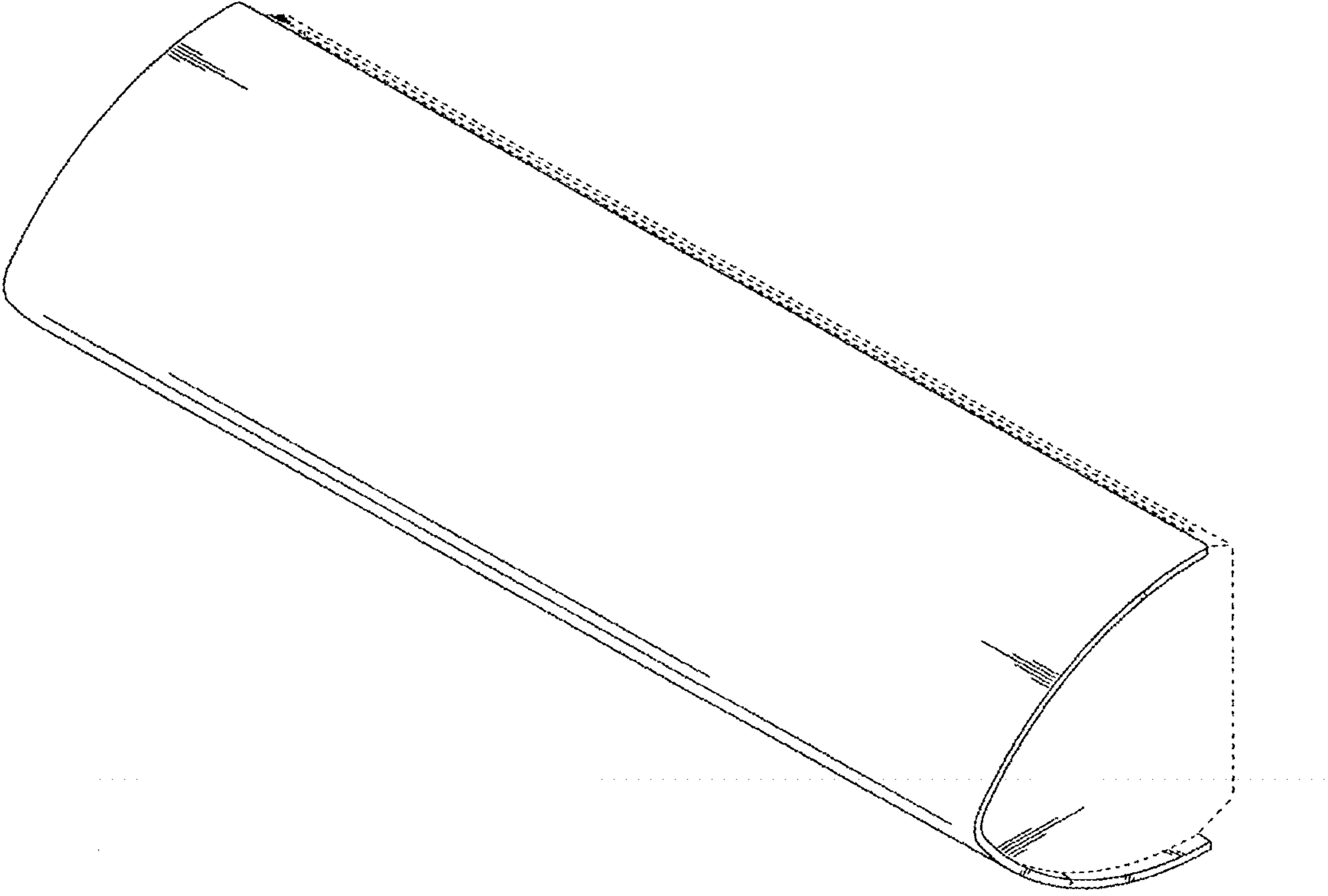
The broken lines in the drawings illustrate portions of the air conditioner which form no part of the claimed design.

See application file for complete search history.

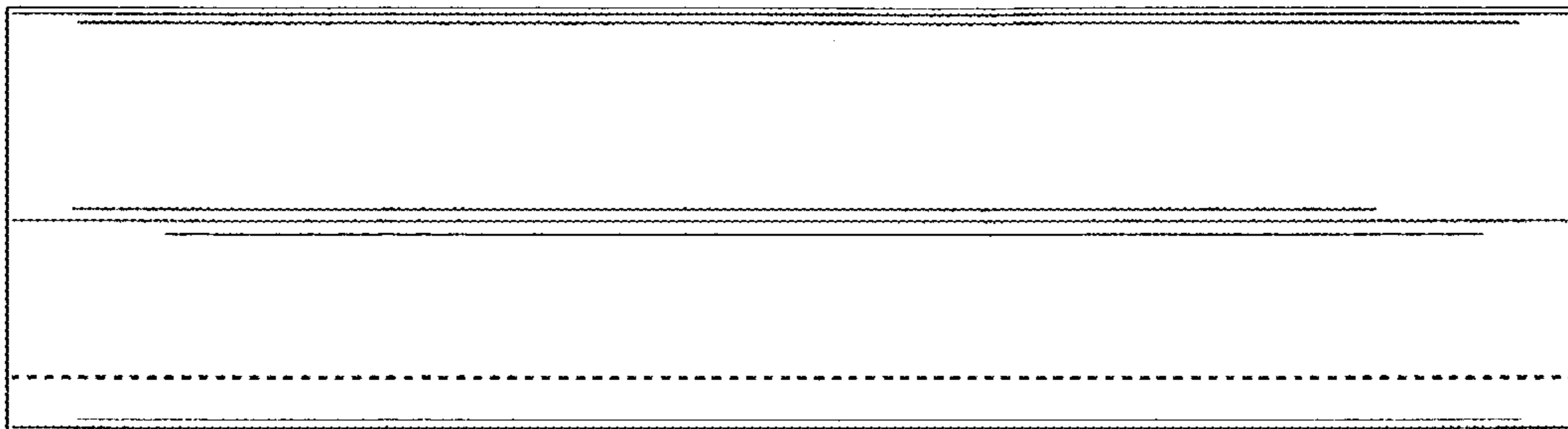
**1 Claim, 7 Drawing Sheets**



**Fig. 1**



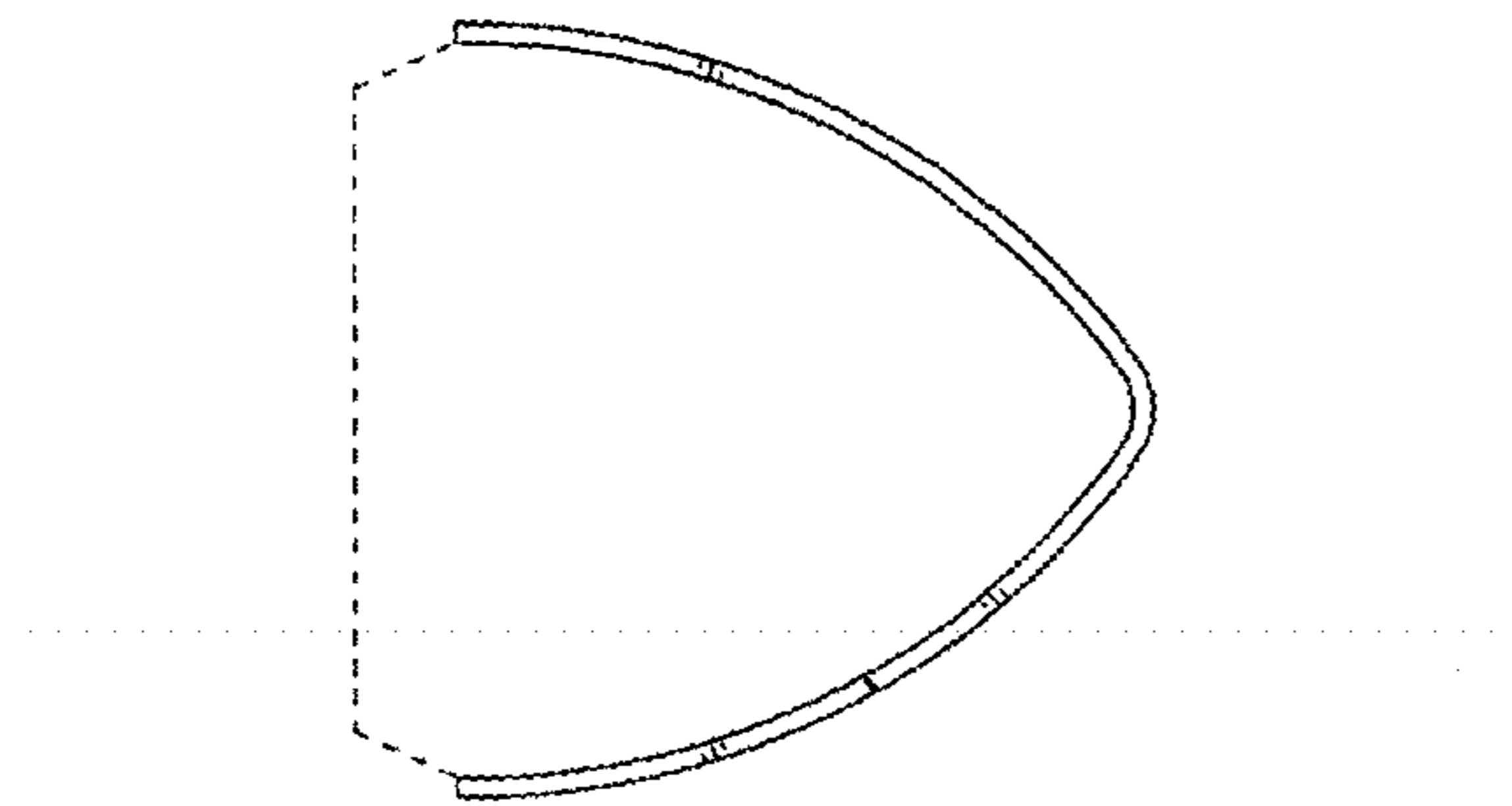
**Fig. 2**



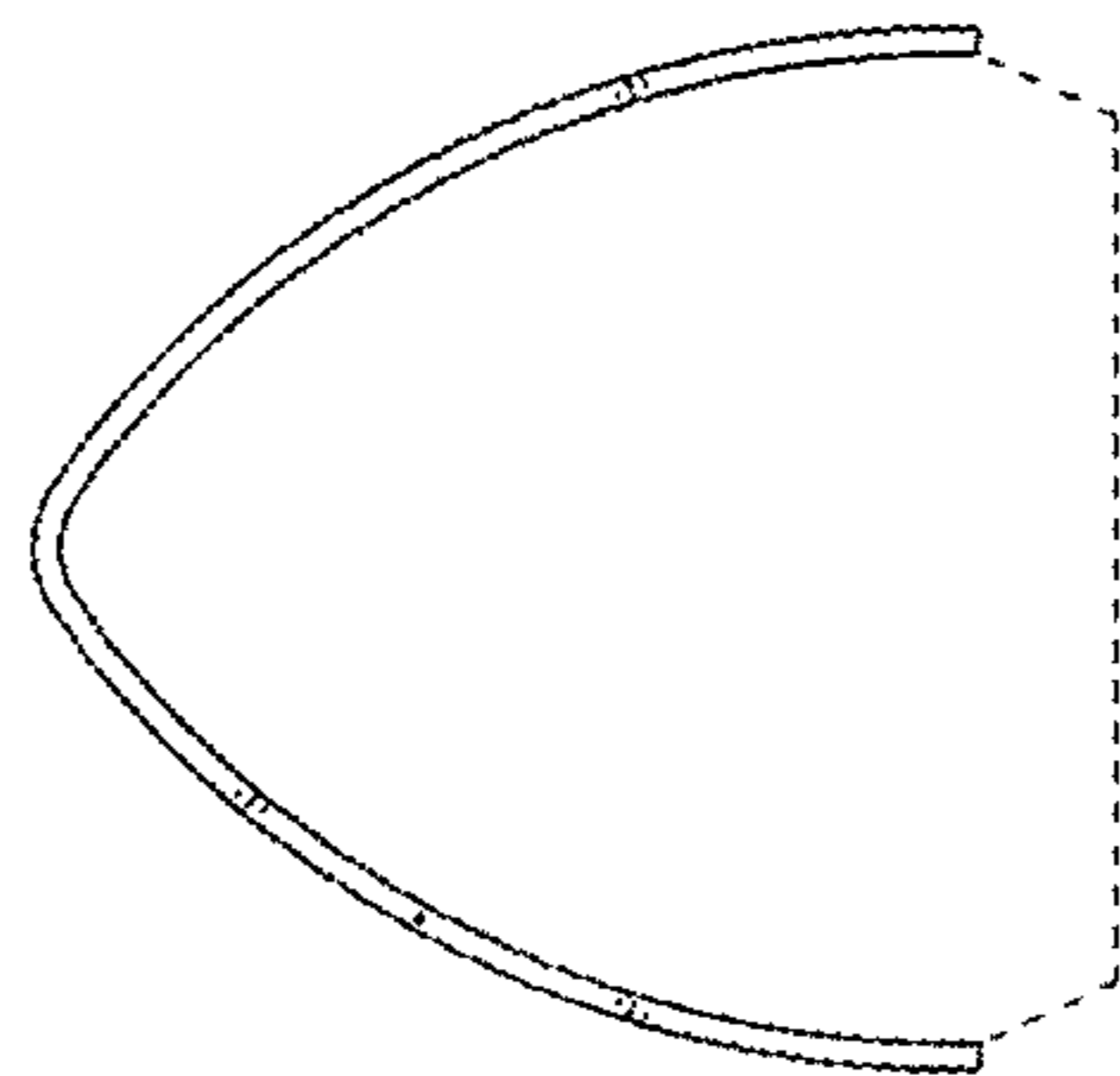
**Fig. 3**



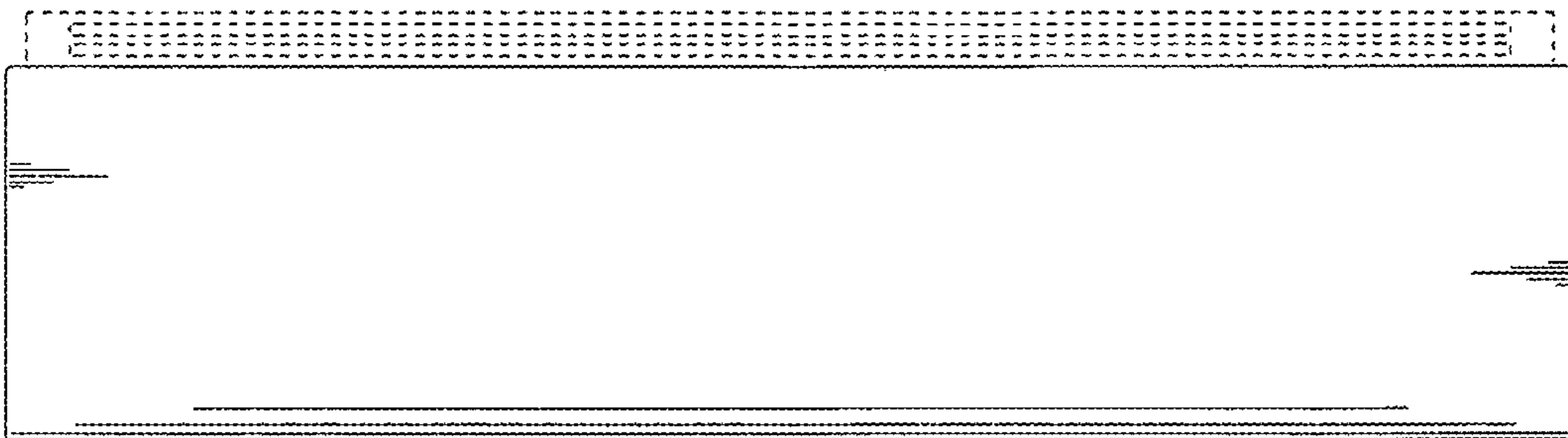
**Fig. 4**



**Fig. 5**



**Fig. 6**



**Fig. 7**

