

US00D765229S

(12) **United States Design Patent** (10) **Patent No.:** **US D765,229 S**
Stauffer et al. (45) **Date of Patent:** **** Aug. 30, 2016**

- (54) **SINK**
- (71) Applicant: **Kohler Co.**, Kohler, WI (US)
- (72) Inventors: **Monty D. Stauffer**, Sheboygan, WI (US); **Nancy L. Yusko**, Sheboygan, WI (US)
- (73) Assignee: **KOHLER CO.**, Kohler, WI (US)
- (**) Term: **15 Years**
- (21) Appl. No.: **29/548,869**
- (22) Filed: **Dec. 17, 2015**

- D588,247 S 3/2009 Hanna et al.
- D601,677 S 10/2009 Hanna et al.
- D601,678 S 10/2009 Soulier
- D635,227 S 3/2011 DuFour

(Continued)

OTHER PUBLICATIONS

US Office Action dated Dec. 31, 2015, from related U.S. Appl. No. 29/513,051.

Primary Examiner — Robert A. Delehanty

(74) *Attorney, Agent, or Firm* — Foley & Lardner LLP

(57) **CLAIM**

We claim the ornamental design for a sink, as shown and described.

Related U.S. Application Data

- (62) Division of application No. 29/513,051, filed on Dec. 24, 2014.
- (51) **LOC (10) Cl.** **23-02**
- (52) **U.S. Cl.**
USPC **D23/308**
- (58) **Field of Classification Search**
USPC D23/271–274, 284, 286, 291–293.1, D23/303, 308
CPC E03C 1/00; E03C 1/01; E03C 1/02; E03C 1/12; E03C 1/18
See application file for complete search history.

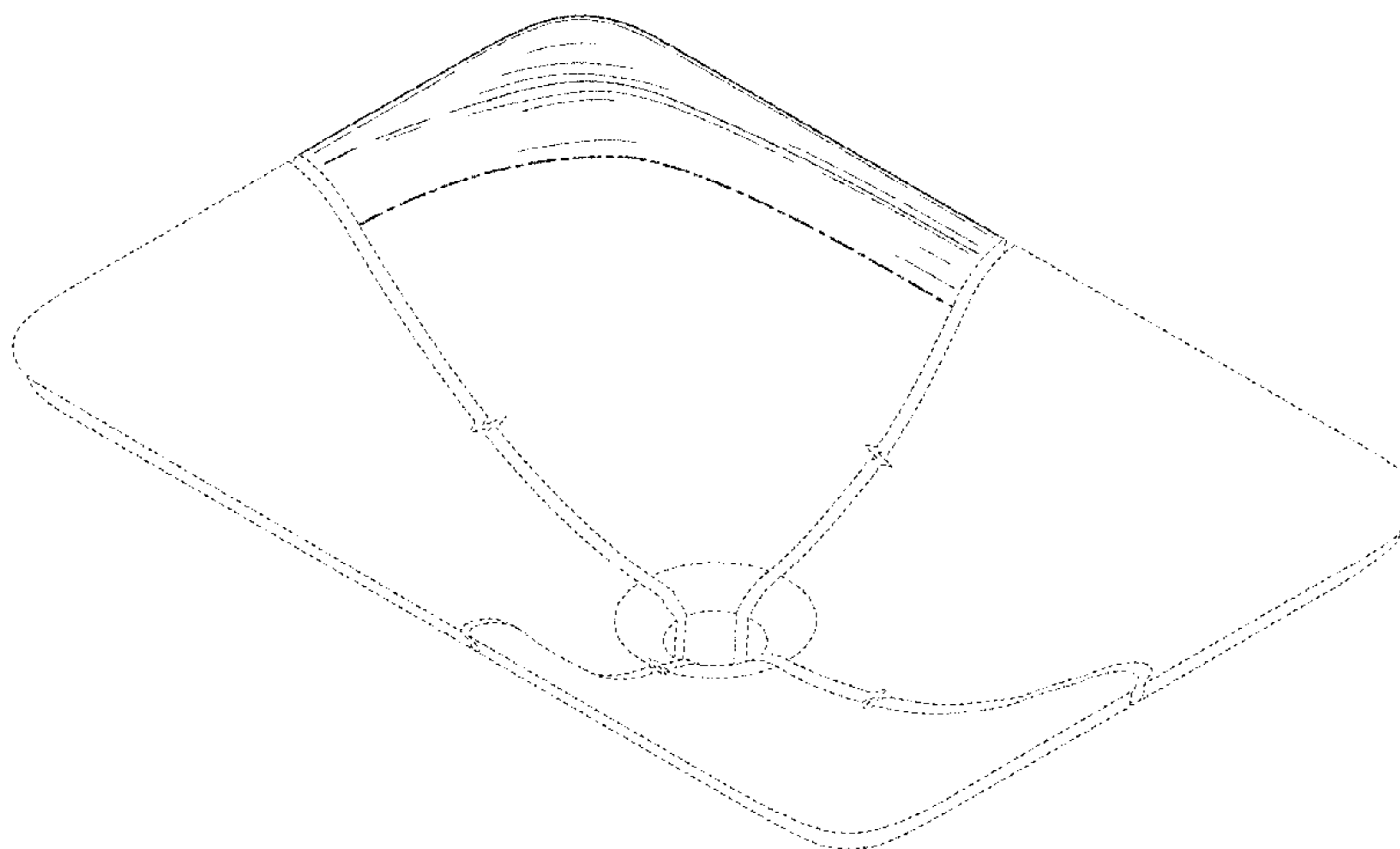
DESCRIPTION

FIG. 1 is a top, front, right perspective view of an embodiment of the claimed design;
 FIG. 2 is a rear elevation view thereof, the front elevation view being a mirror image thereof;
 FIG. 3 is a left side elevation view thereof, the right side elevation view being a mirror image thereof;
 FIG. 4 is a top plan view thereof;
 FIG. 5 is a bottom plan view thereof;
 FIG. 6 is a cross-sectional view taken along Line 6-6 in FIG. 4;
 FIG. 7 is a cross-sectional view taken along Line 7-7 in FIG. 4; and,
 FIG. 8 is a cross-sectional view taken along Line 8-8 in FIG. 4.

The ornamental design which is claimed is shown in solid lines in the drawings. The broken lines in the drawings form no part of the claimed design. Broken lines formed by equal length dashes show unclaimed subject matter. Broken lines formed of unequal length dashes (i.e., dash-dot) define bounds of the claimed design. Broken away symbols having a jagged element show that no particular length of the portion is claimed.

1 Claim, 6 Drawing Sheets

- (56) **References Cited**
U.S. PATENT DOCUMENTS
- D299,166 S 12/1988 Reid
- D537,921 S 3/2007 Kirar
- D538,411 S 3/2007 Bates et al.
- D540,441 S 4/2007 Bates
- D560,775 S 1/2008 Hanna
- D560,776 S 1/2008 Hanna
- D560,777 S 1/2008 Hanna
- D560,778 S 1/2008 Paterson
- D560,780 S 1/2008 Hanna
- D560,781 S 1/2008 Paterson
- D588,240 S 3/2009 Hanna



(56)

References Cited

U.S. PATENT DOCUMENTS

D635,229 S	3/2011	DuFour	D663,390 S	7/2012	Stauffer
D645,125 S	9/2011	Palomba	D678,991 S	3/2013	Stauffer
D652,492 S	1/2012	Slothower et al.	D687,529 S	8/2013	Stauffer
D656,593 S	3/2012	Stauffer	D697,187 S	1/2014	Spangler
D663,017 S	7/2012	Slothower et al.	D697,595 S	1/2014	Spangler
			D722,143 S	2/2015	Clarke et al.
			D722,369 S	2/2015	Letourneau et al.
			D724,710 S	3/2015	Clarke

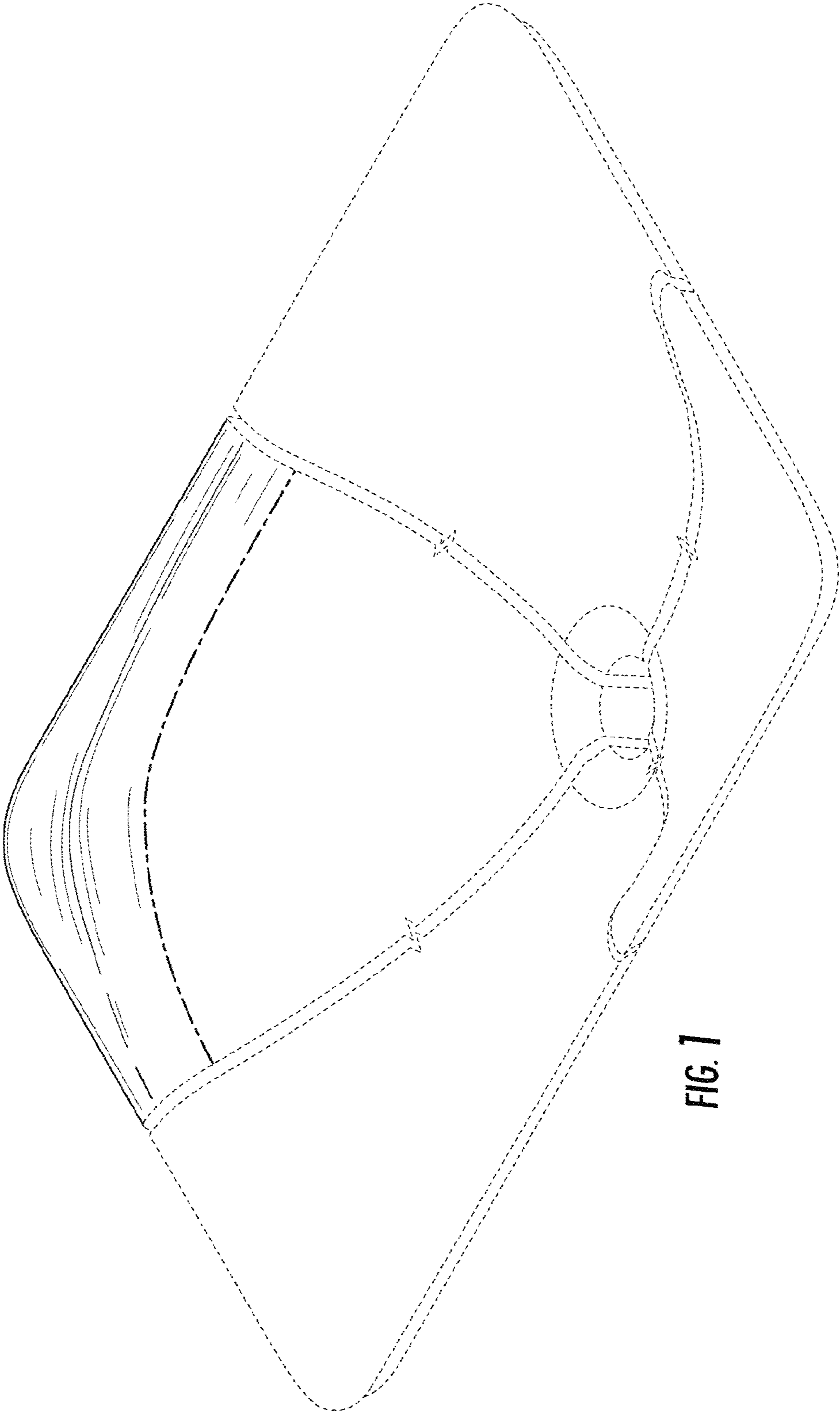


FIG. 1

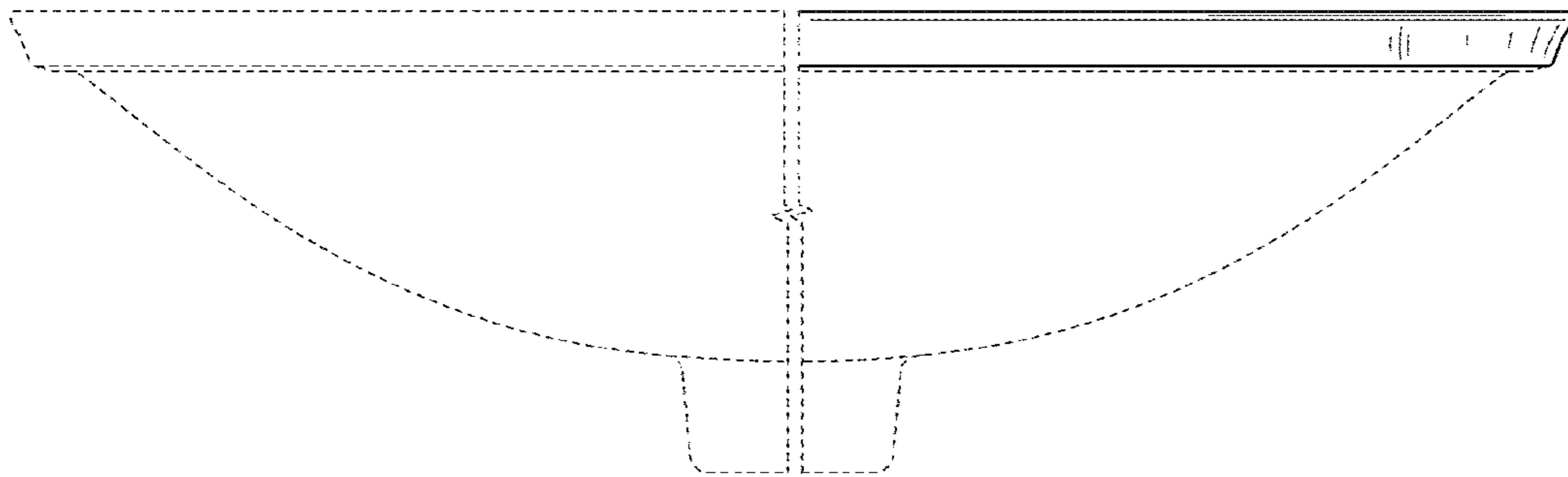


FIG. 2

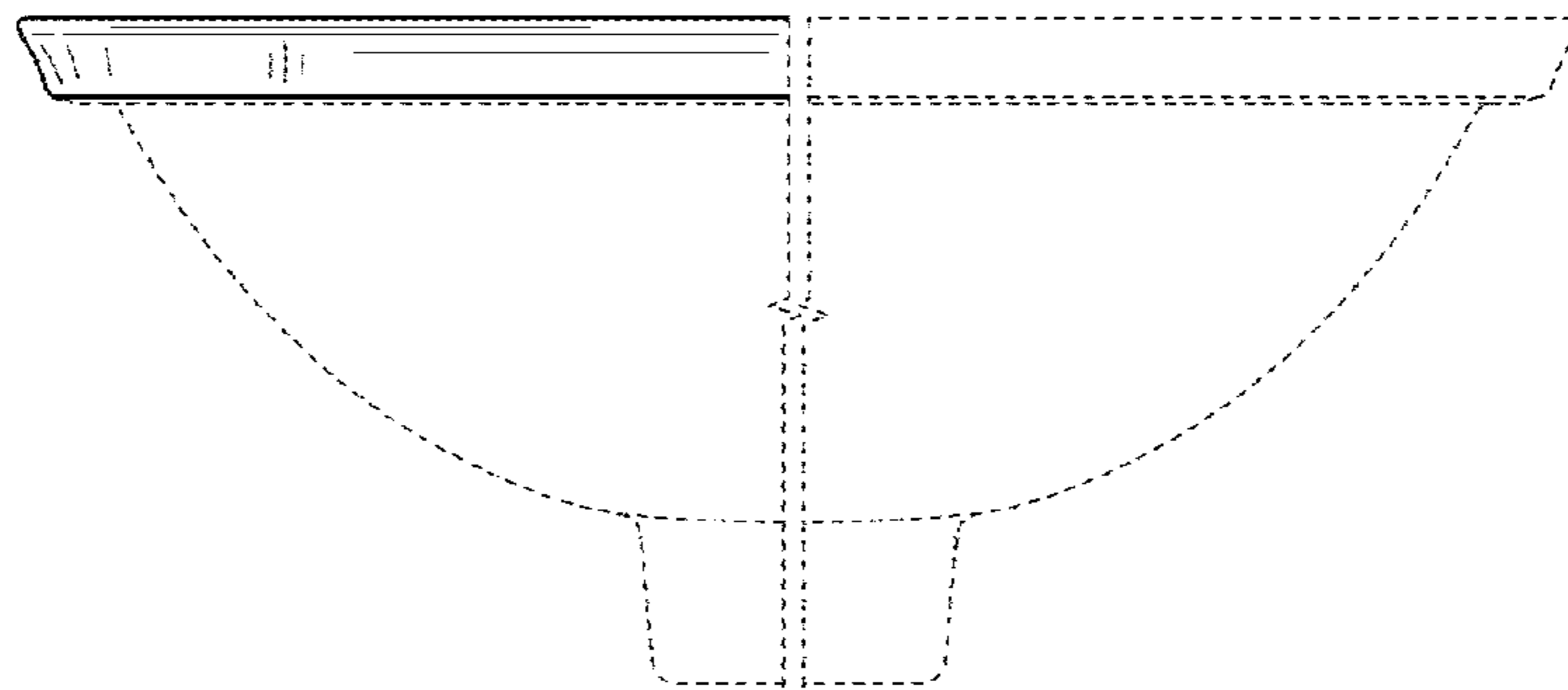


FIG. 3

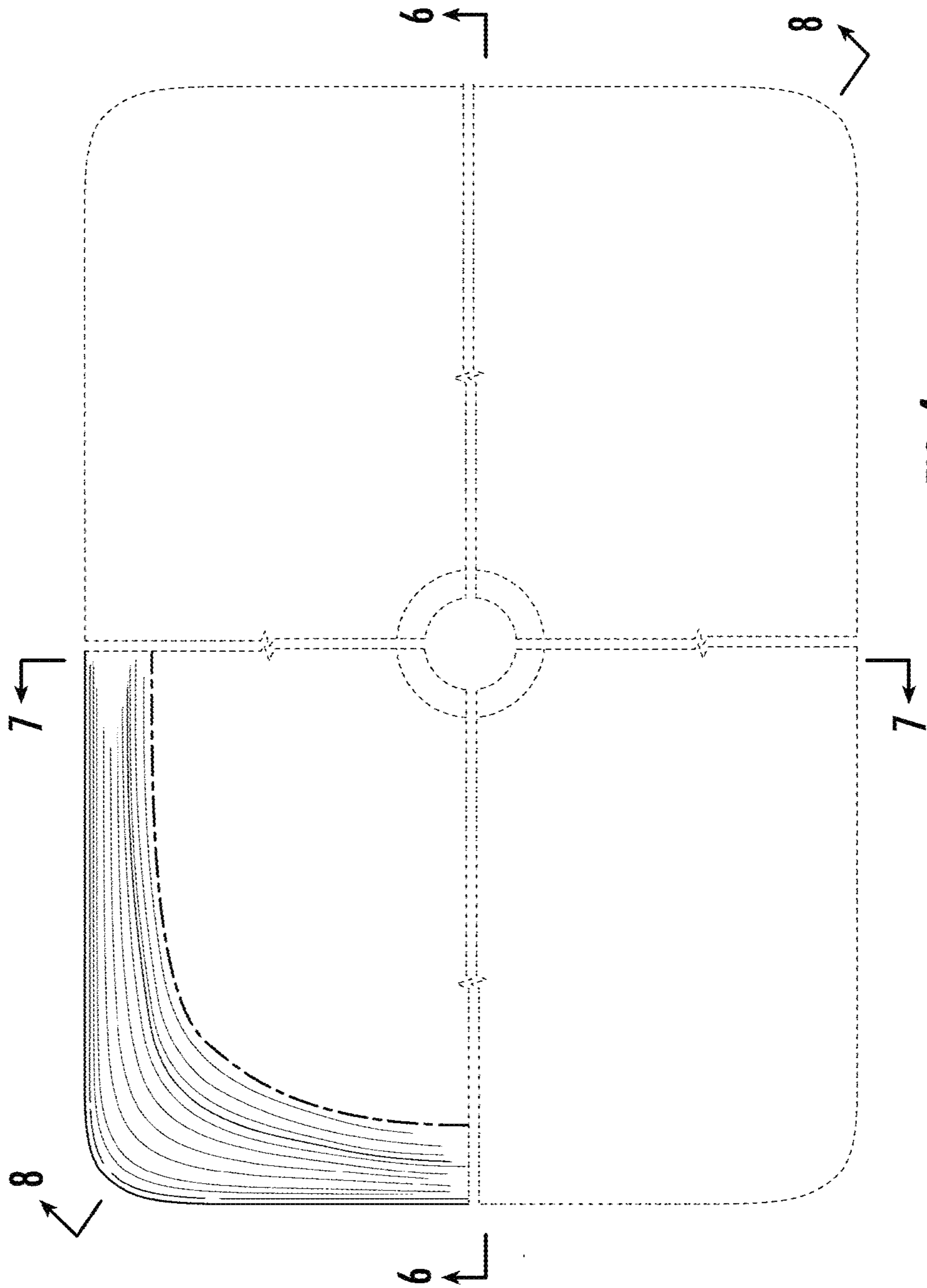


FIG. 4

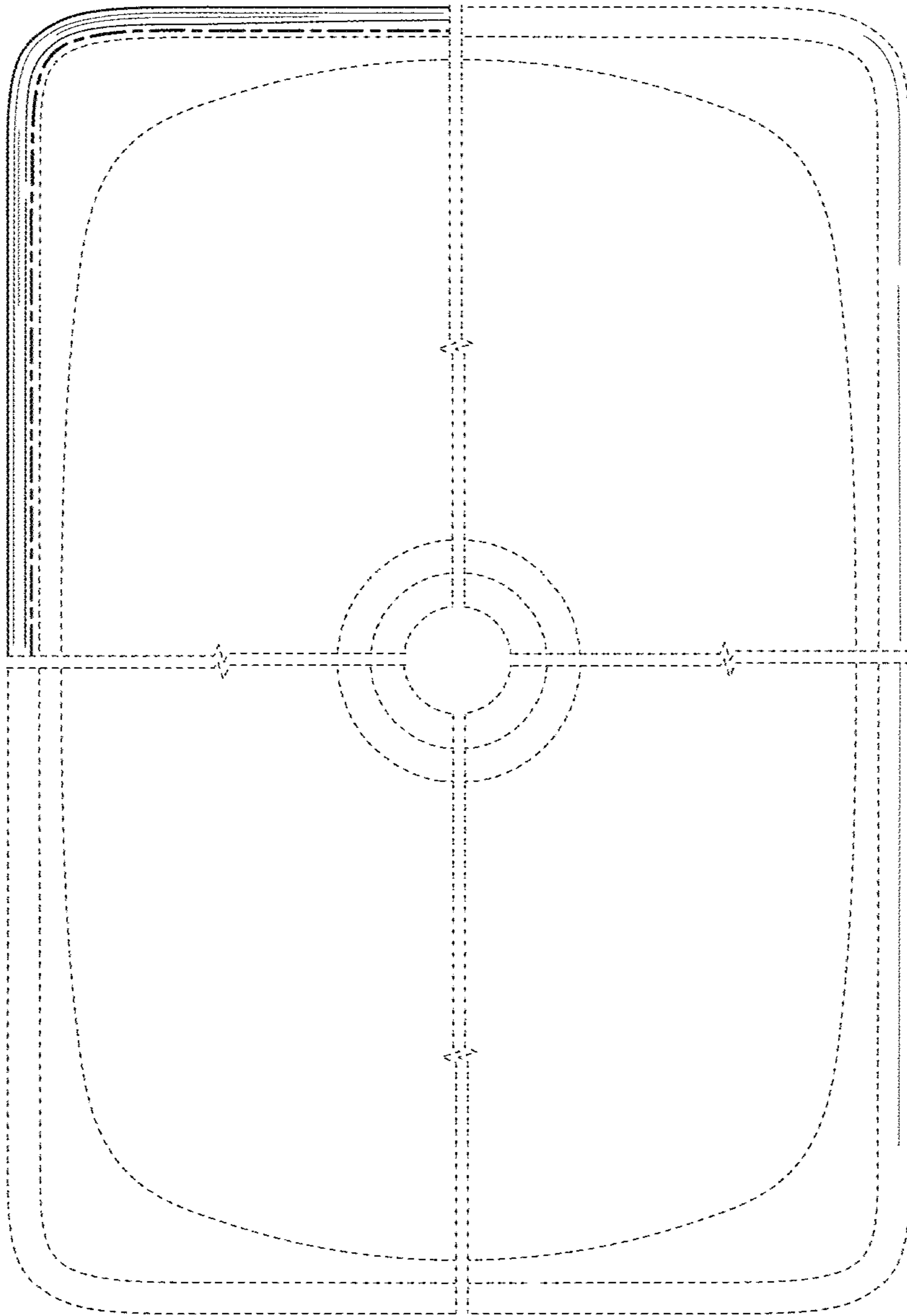


FIG. 5

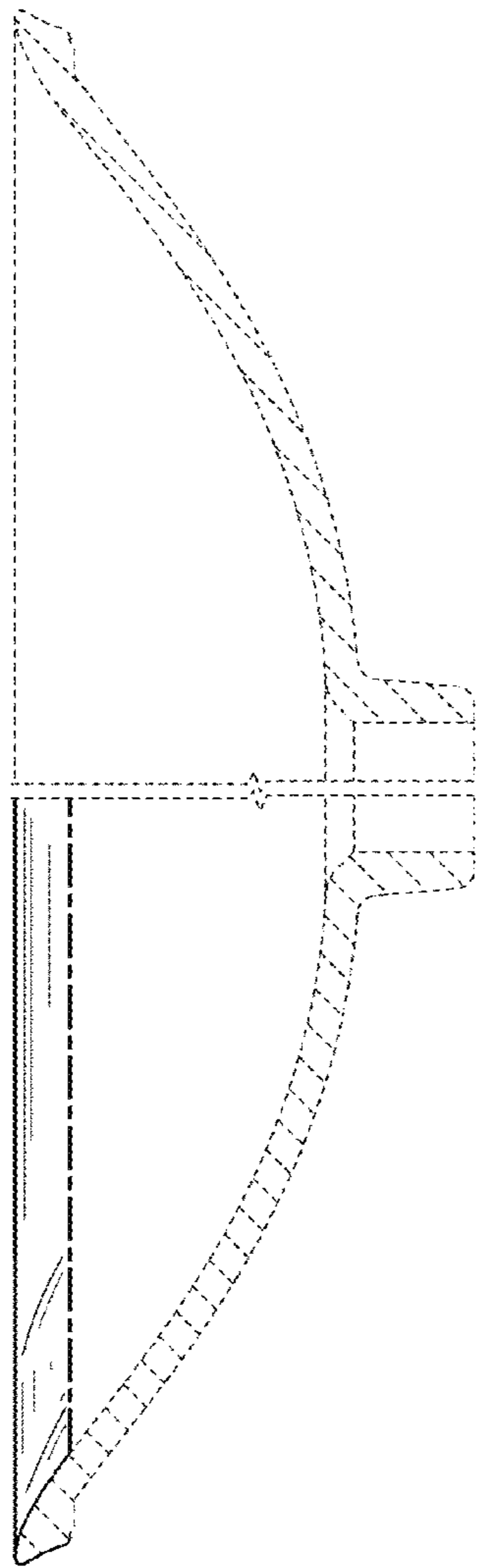


FIG. 6

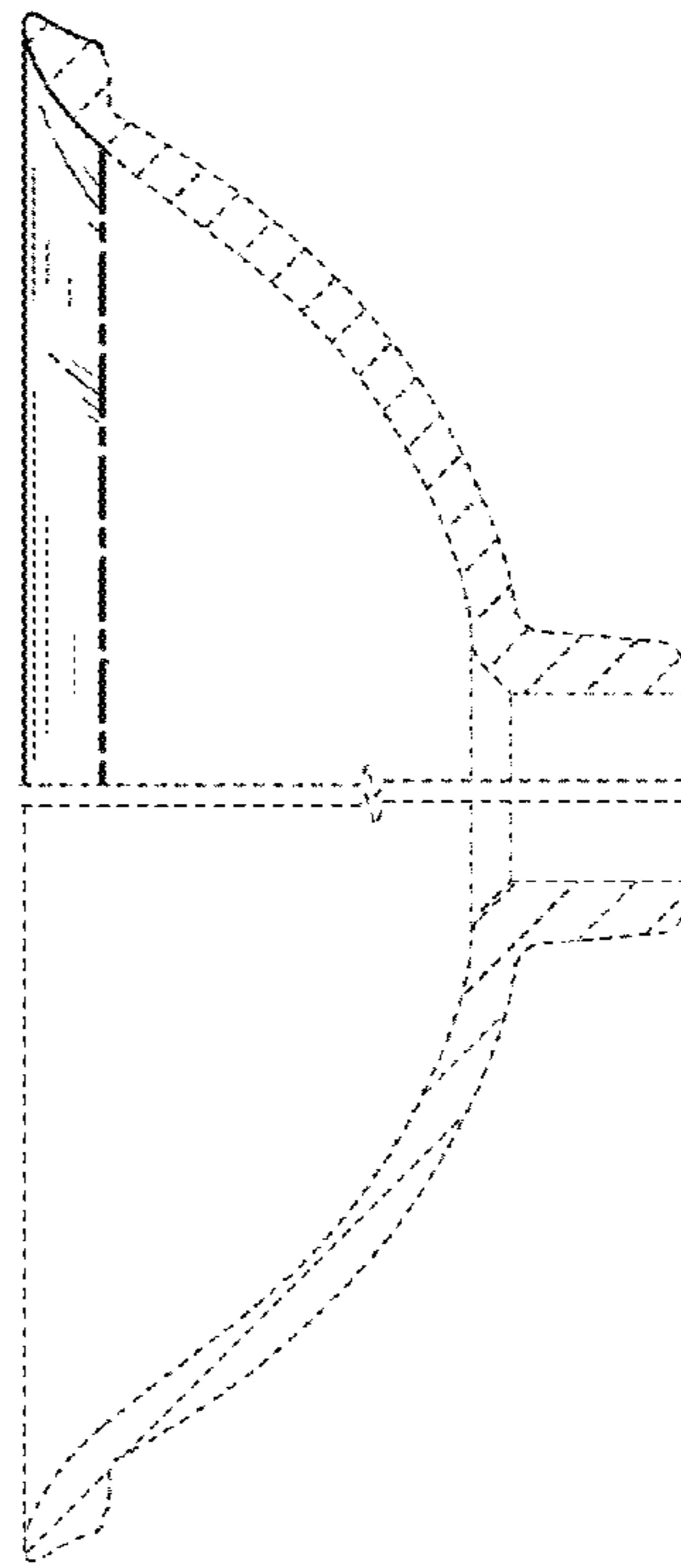


FIG. 7

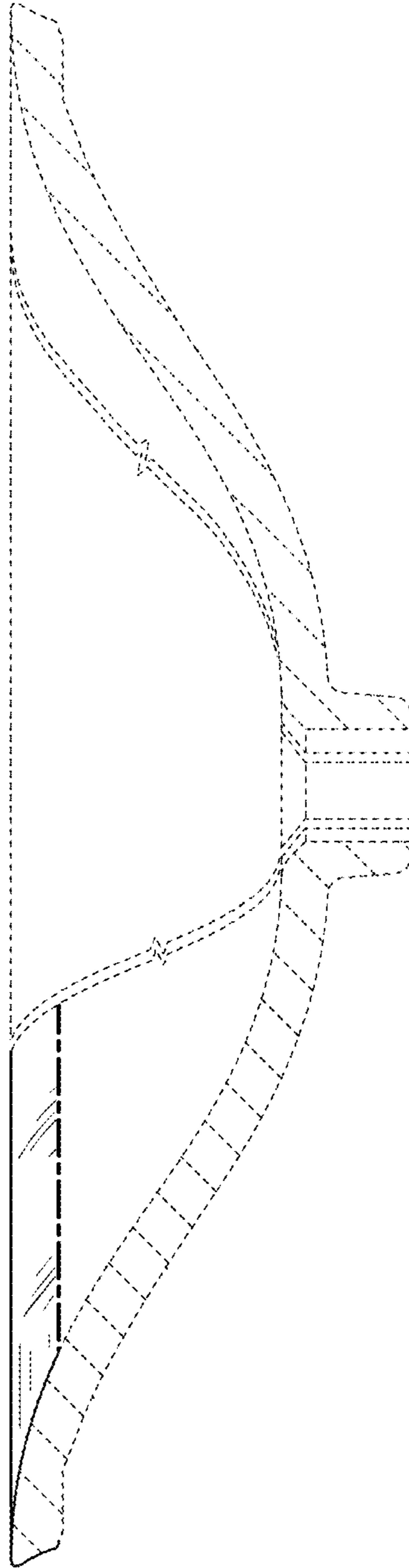


FIG. 8