



US00D765227S

(12) **United States Design Patent**
Sallick et al.

(10) **Patent No.:** **US D765,227 S**
(45) **Date of Patent:** **** Aug. 30, 2016**

(54) **WATER REGULATOR**

(71) Applicant: **WATERWORKS IP CO., LLC,**
Danbury, CT (US)

(72) Inventors: **Peter Sallick,** Danbury, CT (US); **Paul Egee,** Danbury, CT (US)

(73) Assignee: **WATERWORKS IP CO., LLC.,**
Danbury, CT (US)

(**) Term: **15 Years**

(21) Appl. No.: **29/544,827**

(22) Filed: **Nov. 6, 2015**

Related U.S. Application Data

(62) Division of application No. 29/490,077, filed on May 6, 2014, now Pat. No. Des. 745,639.

(51) **LOC (10) Cl.** **23-01**

(52) **U.S. Cl.**
USPC **D23/241**

(58) **Field of Classification Search**
USPC D23/238-243, 249, 253, 255, 257
CPC E03C 1/04; E03C 1/0401; E03C 1/0402;
E03C 1/0404

See application file for complete search history.

(56) **References Cited**

U.S. PATENT DOCUMENTS

D72,505 S 4/1927 Van Eweyk
D466,981 S 12/2002 Cosolito et al.

D490,142 S 5/2004 Ouyoung
D585,113 S 1/2009 Friedrich
D591,830 S 5/2009 Shieh
D696,750 S 12/2013 Standefer et al.

OTHER PUBLICATIONS

Notice of Allowance and Issue Fee Due issued in U.S. Appl. No. 29/490,077 dated Aug. 5, 2015.

Primary Examiner — Robert Delehanty

(74) *Attorney, Agent, or Firm* — McDermott Will & Emery LLP

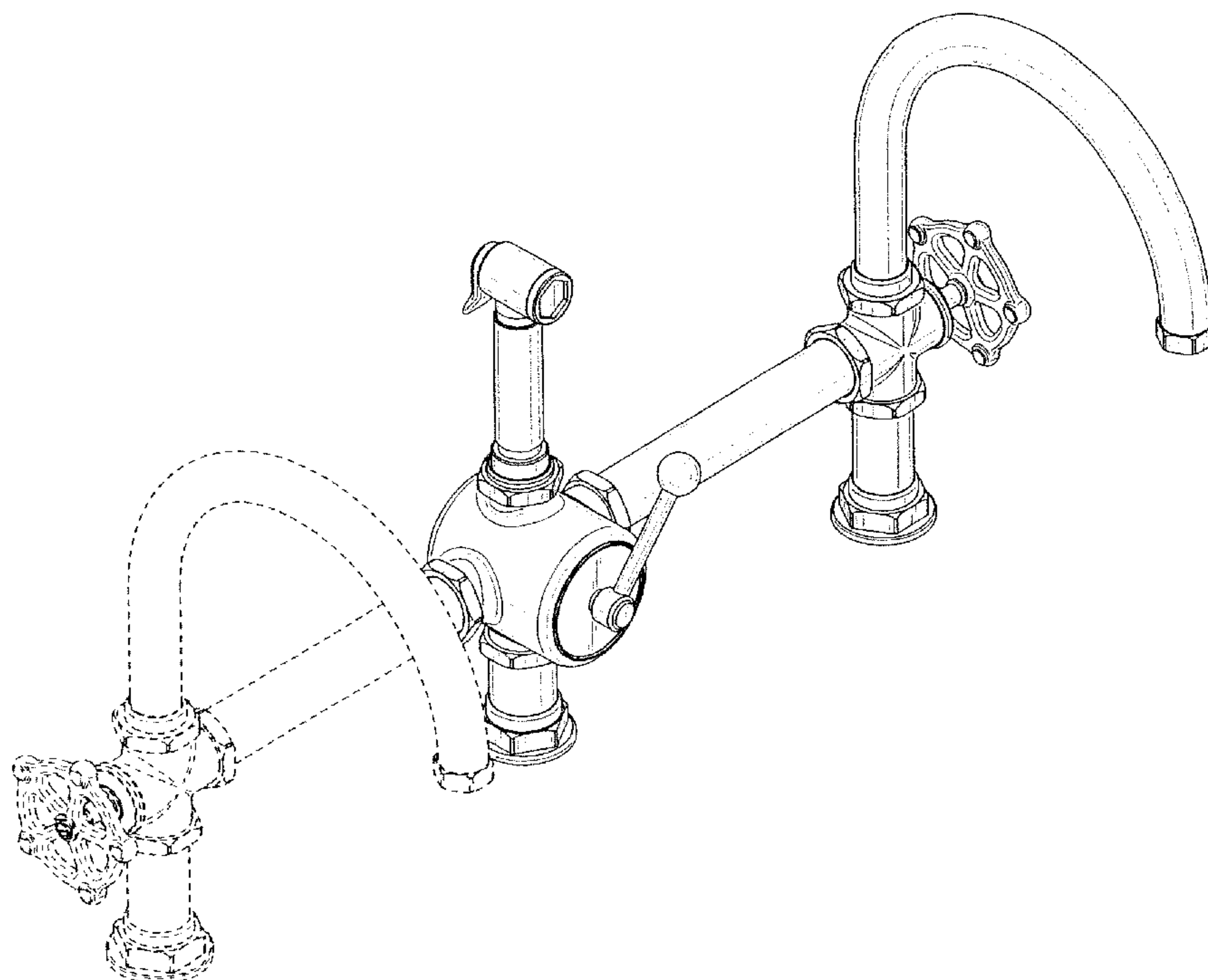
(57) **CLAIM**

The ornamental design for a water regulator, as shown and described.

DESCRIPTION

FIG. 1 is a front perspective view of a water regulator, showing the new design;
FIG. 2 is a front view of the water regulator;
FIG. 3 is a rear view of the water regulator;
FIG. 4 is a side view of the water regulator;
FIG. 5 is another side view of the water regulator;
FIG. 6 is a top view of the water regulator; and,
FIG. 7 is a bottom view of the water regulator.
The broken lines showing various elements of the water regulator are included for the purpose of illustrating non-claimed subject matter and form no part of the claimed design.

1 Claim, 7 Drawing Sheets



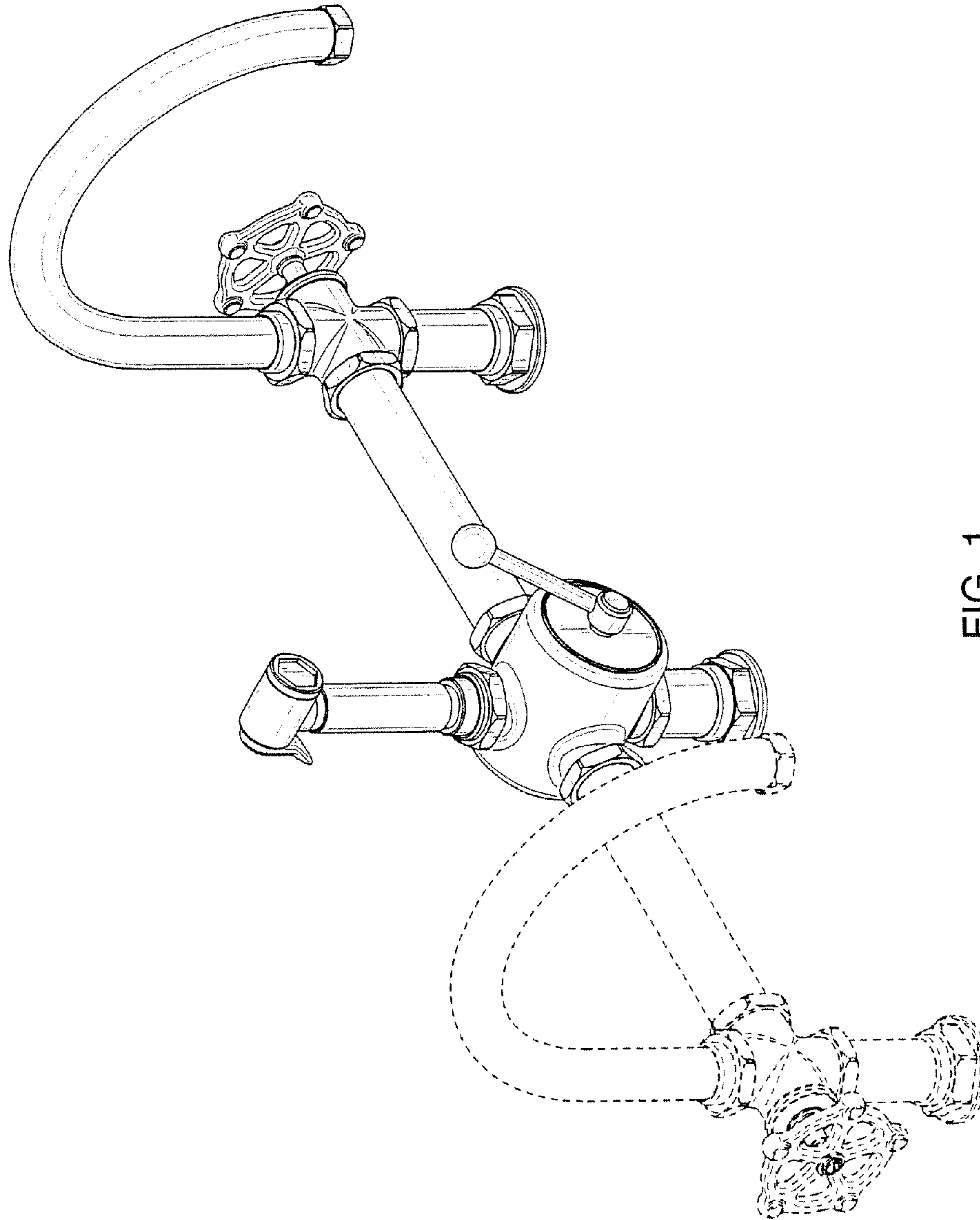


FIG. 1

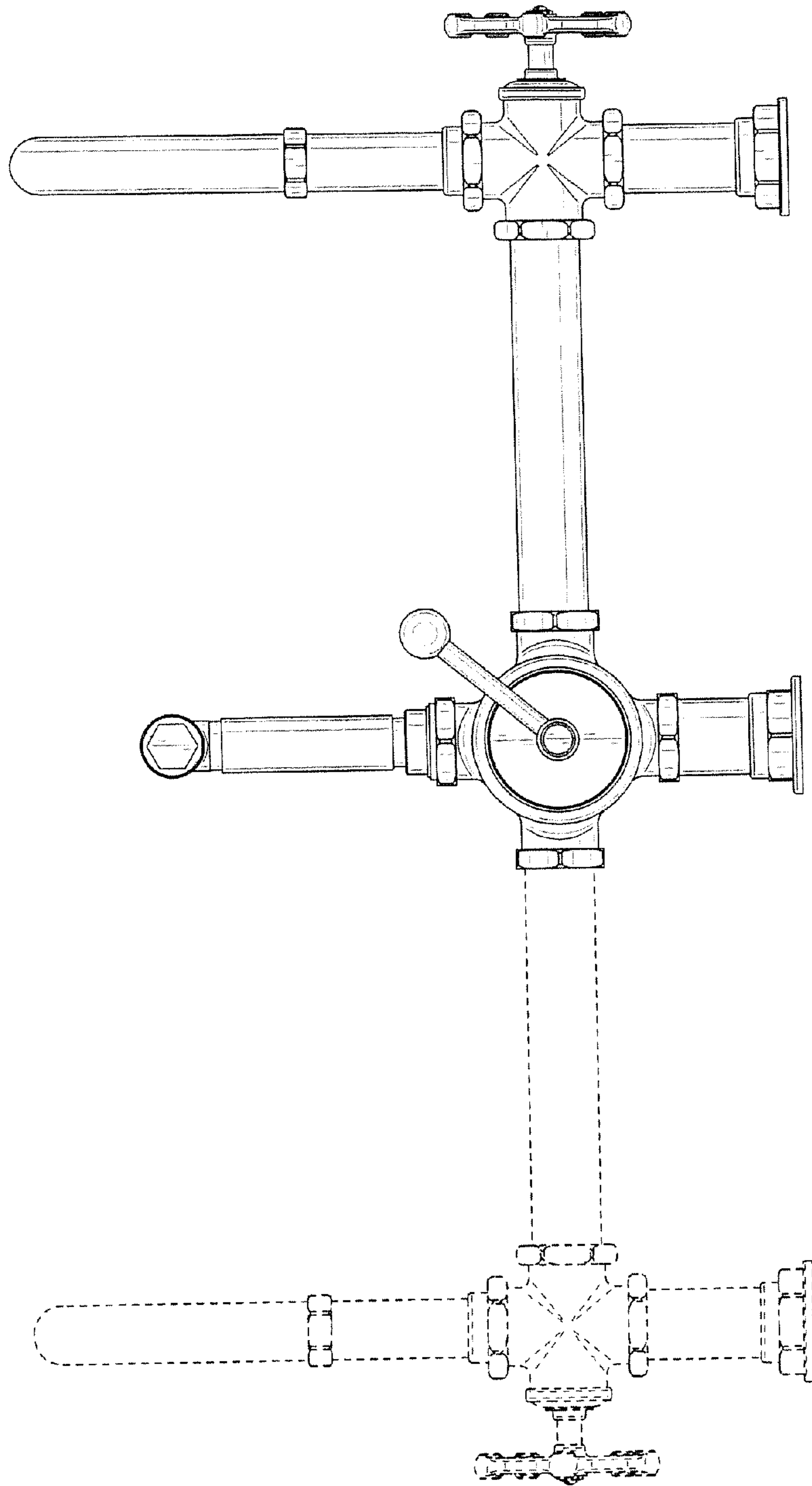


FIG. 2

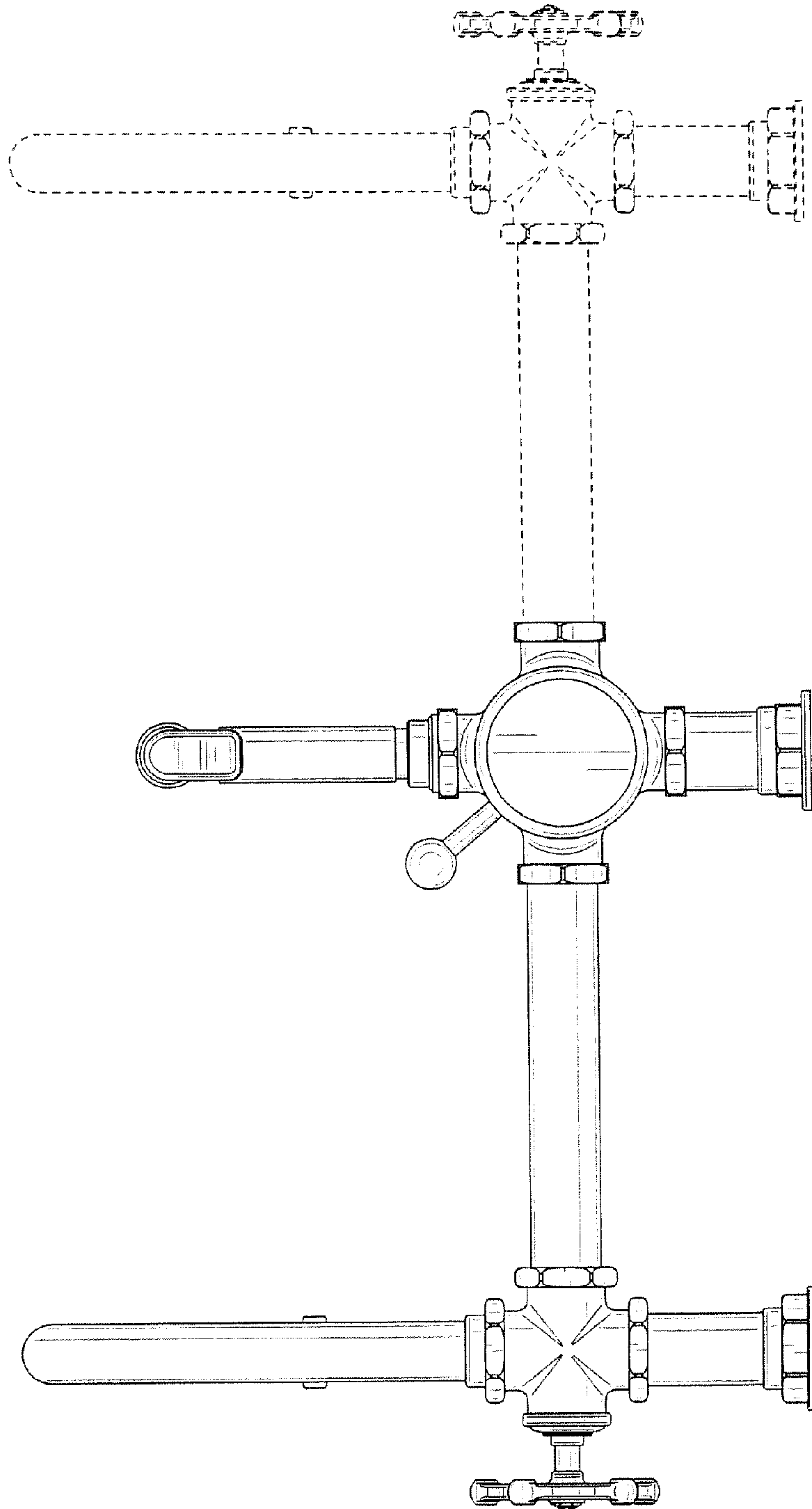


FIG. 3

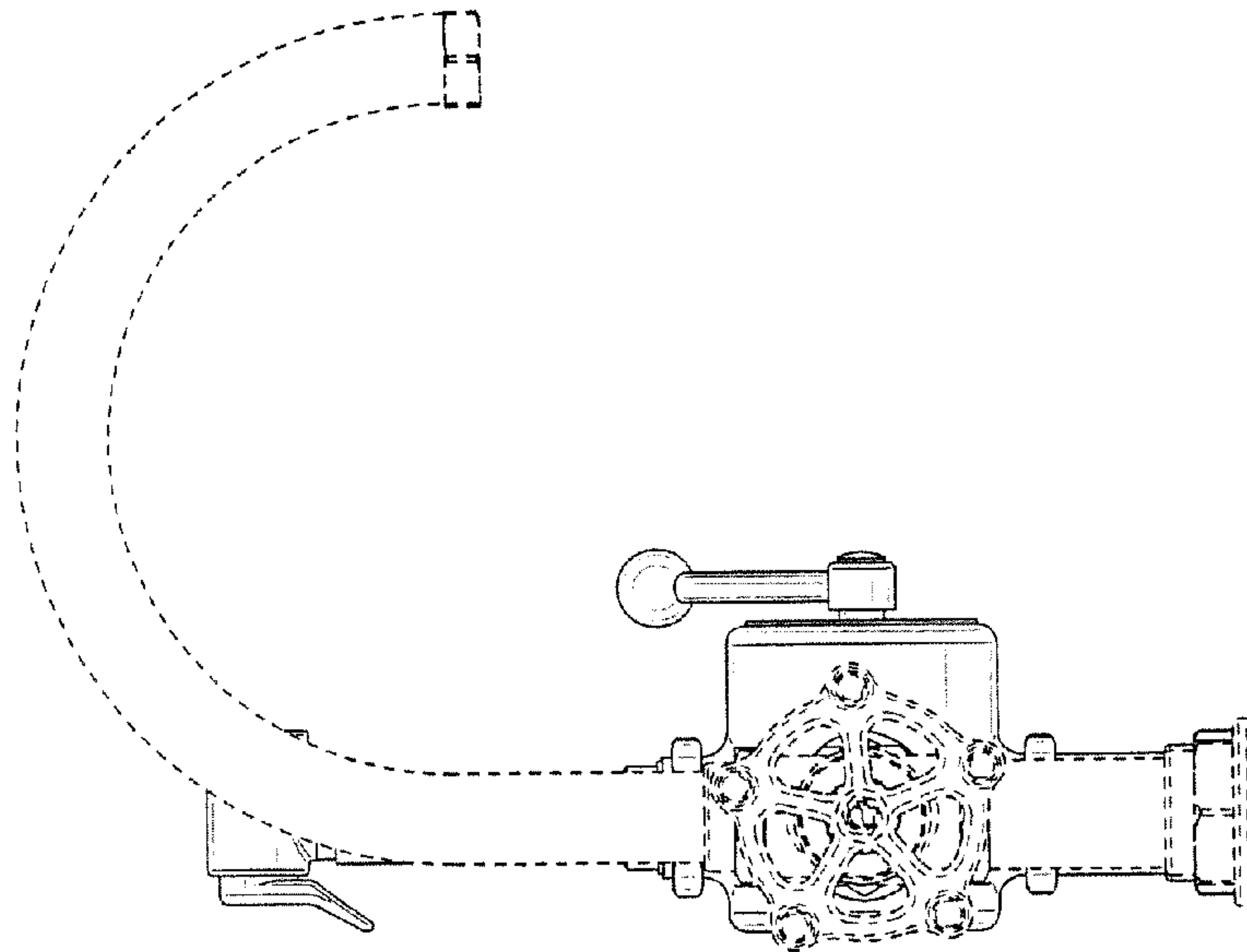


FIG. 4

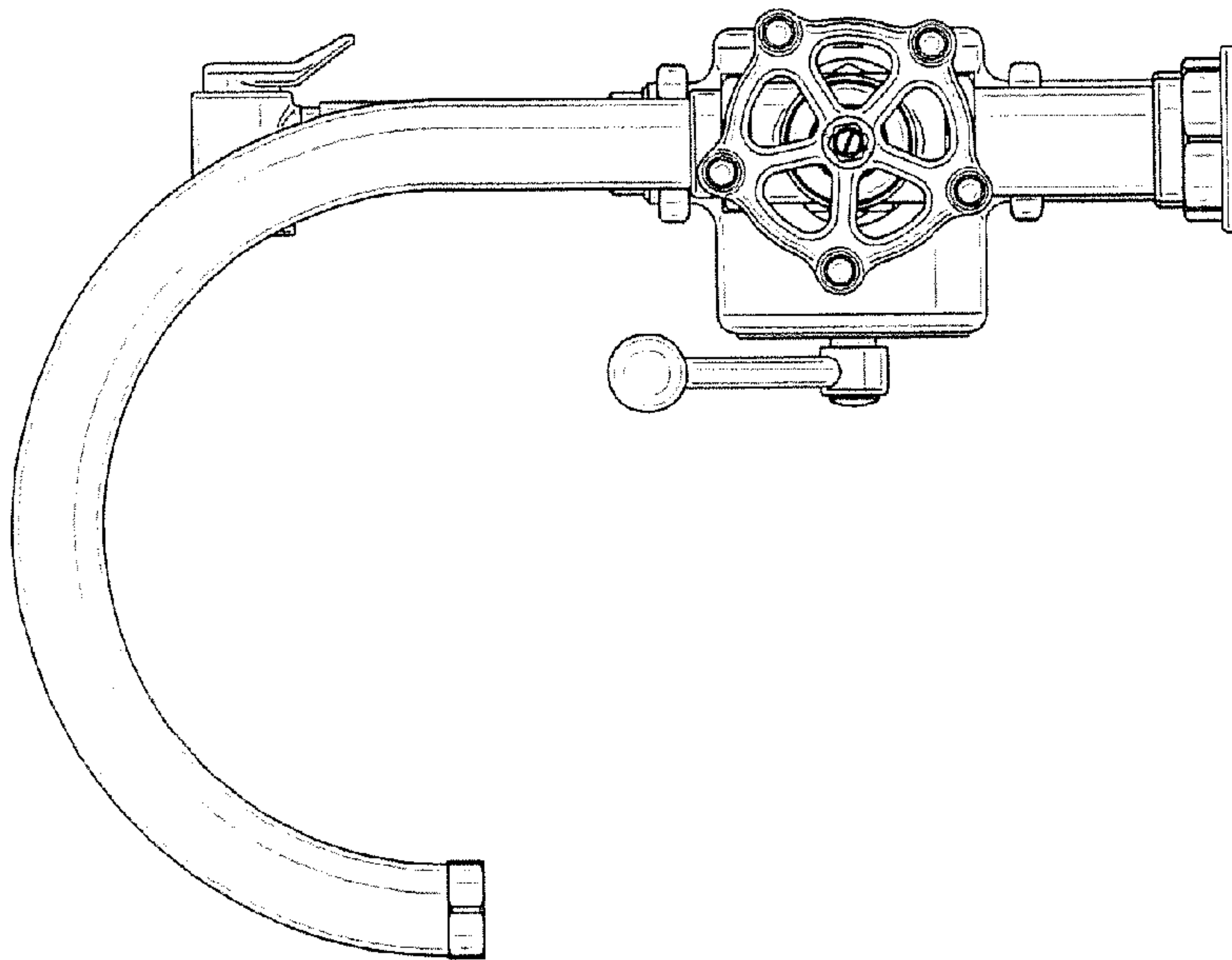


FIG. 5

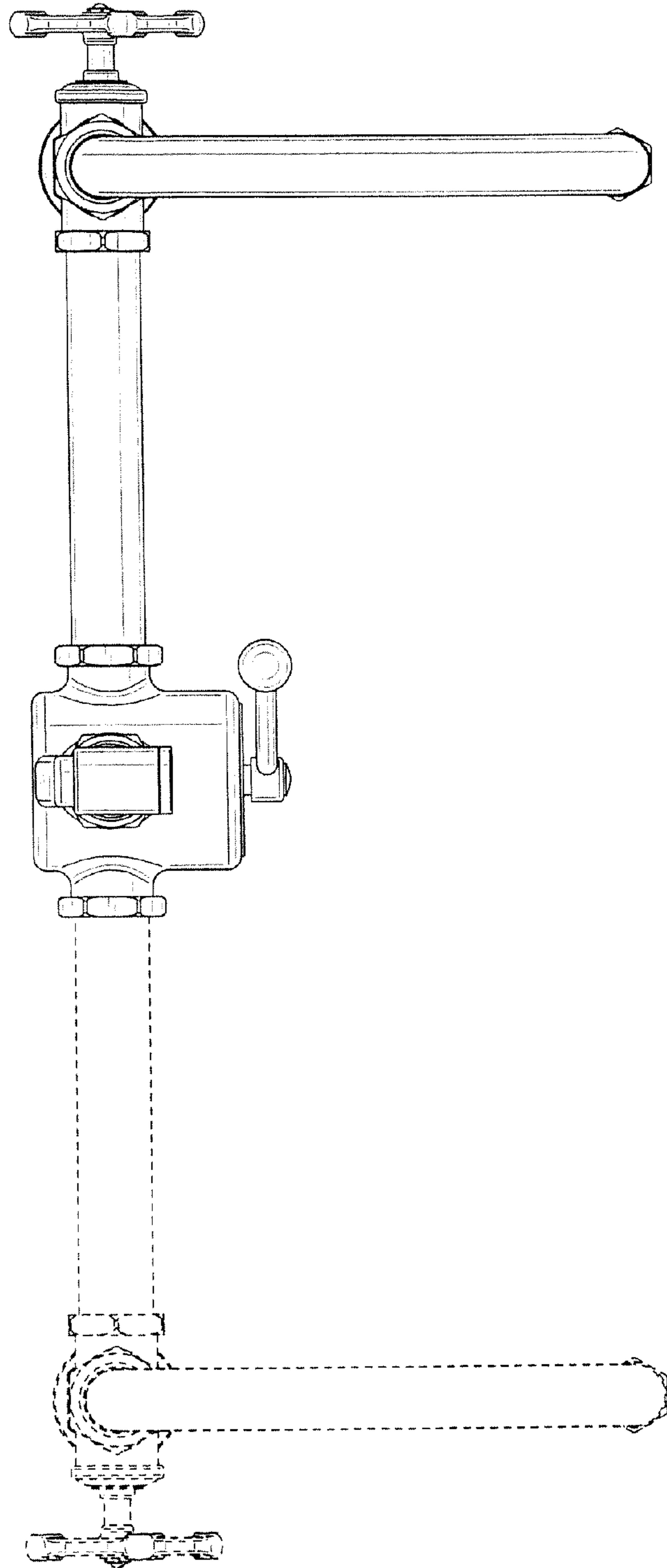


FIG. 6

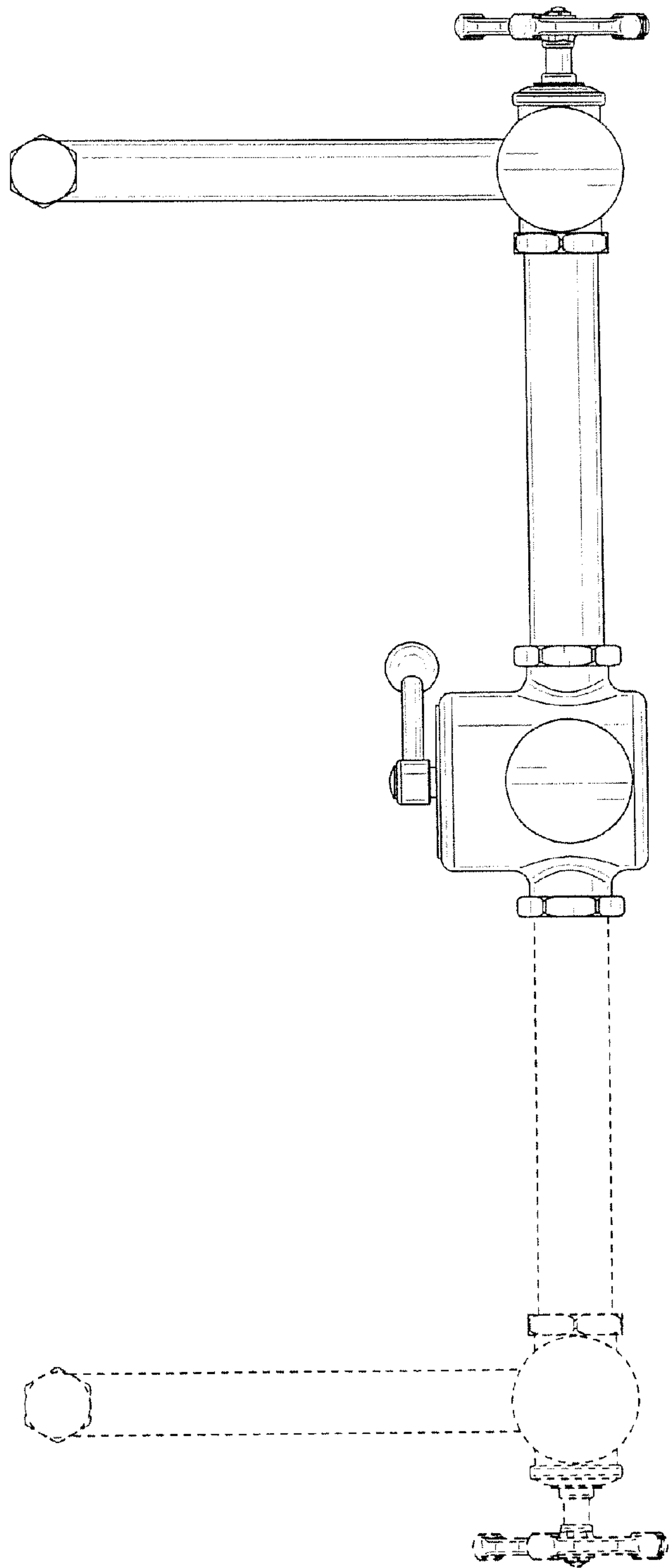


FIG. 7