



US00D765226S

(12) **United States Design Patent**
Yin et al.

(10) **Patent No.:** **US D765,226 S**
(45) **Date of Patent:** **** Aug. 30, 2016**

(54) **THERMAL EXPANSION VALVE**
(71) Applicant: **ZHEJIANG SANHUA
AUTOMOTIVE COMPONENTS
CO., LTD.**, Hangzhou, Zhejiang (CN)

D649,222 S * 11/2011 Kobayashi D23/233
D683,815 S * 6/2013 Kobayashi D23/233
D712,010 S * 8/2014 Okutsu D23/233
D746,410 S * 12/2015 Kaneko D23/233

(72) Inventors: **Bin Yin**, Hangzhou (CN); **Haoming Qiu**, Hangzhou (CN); **Zhenwen Chen**, Hangzhou (CN)

U.S. Appl. No. 29/523,675, filed Apr. 13, 2015, Yin et al.

(73) Assignee: **Zhejiang Sanhua Automotive Concepts Co., Ltd.**, Hangzhou (CN)

Primary Examiner — Cynthia Ramirez
Assistant Examiner — Gino Colan

(**) Term: **14 Years**

(74) *Attorney, Agent, or Firm* — Wolf, Greenfield & Sacks, P.C.

(21) Appl. No.: **29/523,663**

(57) **CLAIM**

(22) Filed: **Apr. 13, 2015**

The ornamental design for a thermal expansion valve, as shown and described.

(30) **Foreign Application Priority Data**

DESCRIPTION

Oct. 28, 2014 (CN) 2014 3 0413767
(51) **LOC (10) Cl.** **23-01**
(52) **U.S. Cl.**
USPC **D23/233**
(58) **Field of Classification Search**
USPC D23/233–250; 137/468, 12, 625.48;
236/92 B, 99 R; 62/222, 225, 115, 498,
62/210, 204, 613, 197, 504, 527
CPC F16K 11/10; F16K 31/0613; F16K 3/246
See application file for complete search history.

FIG. 1 is a front view of a thermal expansion valve according to the present application;
FIG. 2 is a rear view of the thermal expansion valve according to the present application;
FIG. 3 is a left view of the thermal expansion valve according to the present application;
FIG. 4 is a right view of the thermal expansion valve according to the present application;
FIG. 5 is a top view of the thermal expansion valve according to the present application;
FIG. 6 is a bottom view of the thermal expansion valve according to the present application; and,
FIG. 7 is a perspective view of the thermal expansion valve according to the present application.

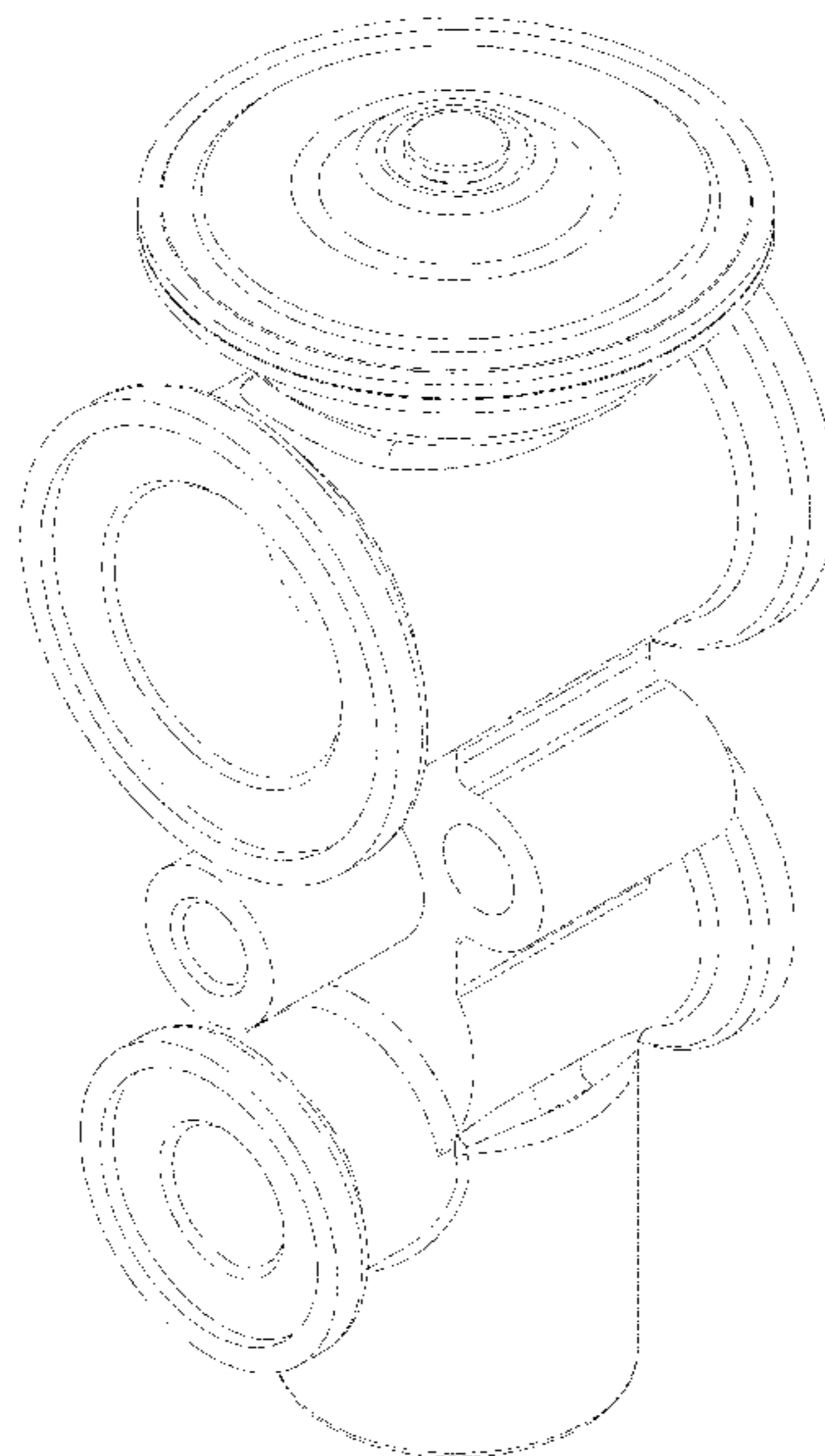
(56) **References Cited**

The broken lines shown in the figures represent unclaimed portions of the thermal expansion valve and form no part of the claimed design.

U.S. PATENT DOCUMENTS

D429,315 S * 8/2000 Okada D23/233
D434,831 S * 12/2000 Okada D23/233
D440,632 S * 4/2001 Fukuda D23/233
D532,080 S * 11/2006 Kobayashi D23/233
D589,118 S * 3/2009 Watanabe D23/233

1 Claim, 6 Drawing Sheets



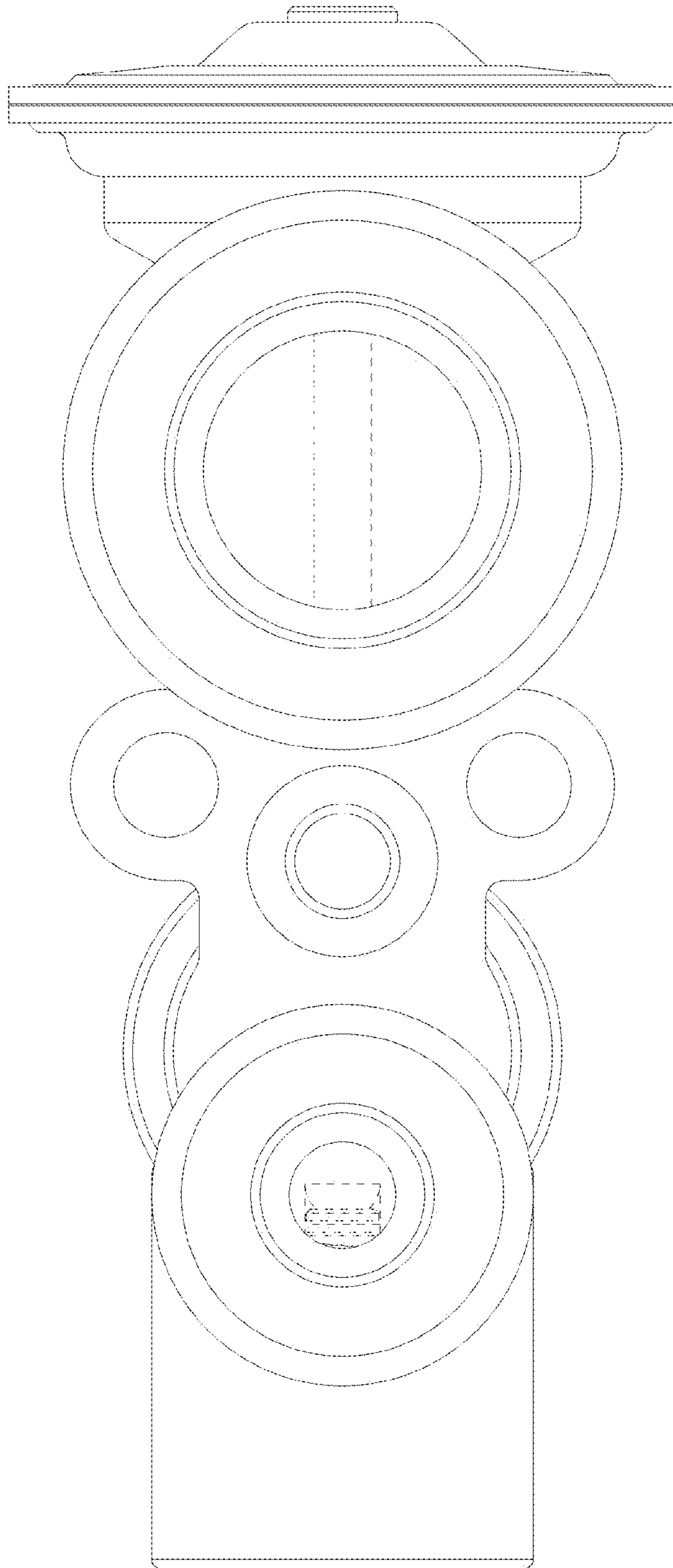


FIG. 1

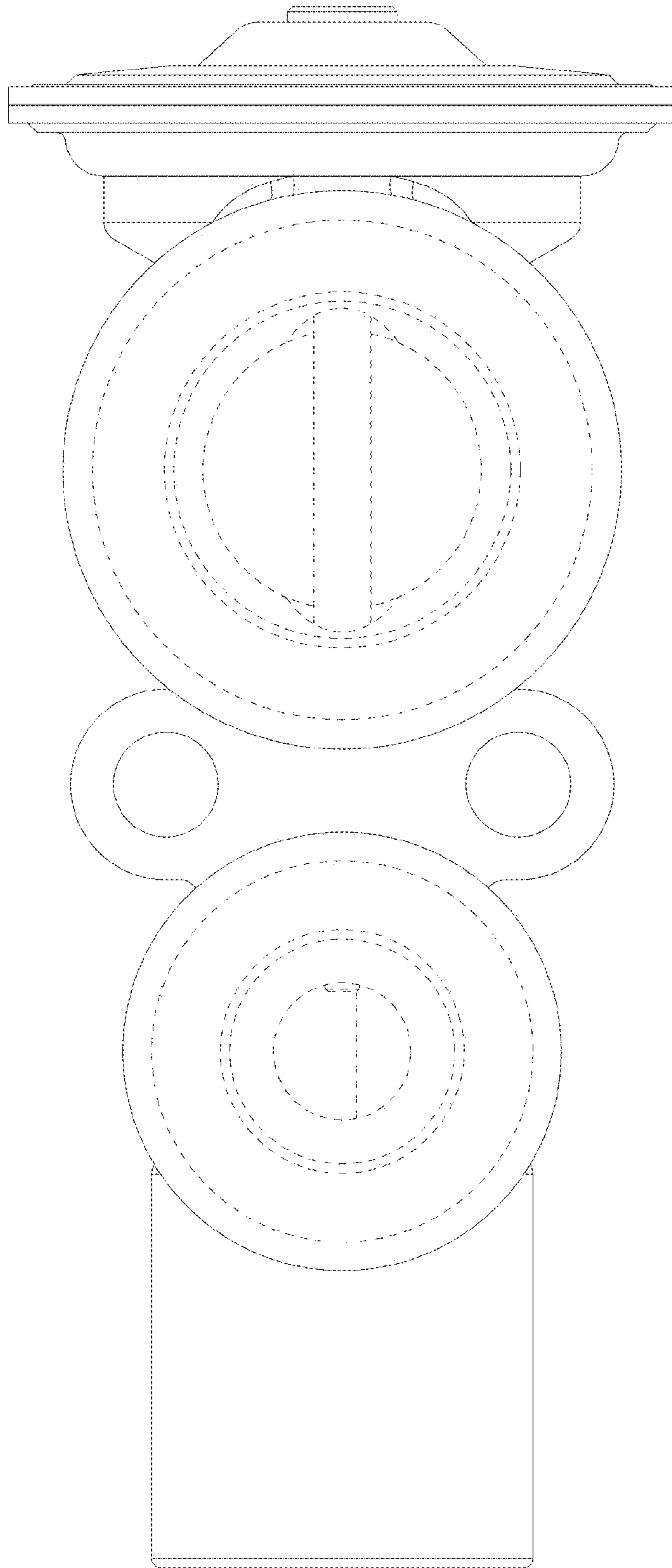


FIG. 2

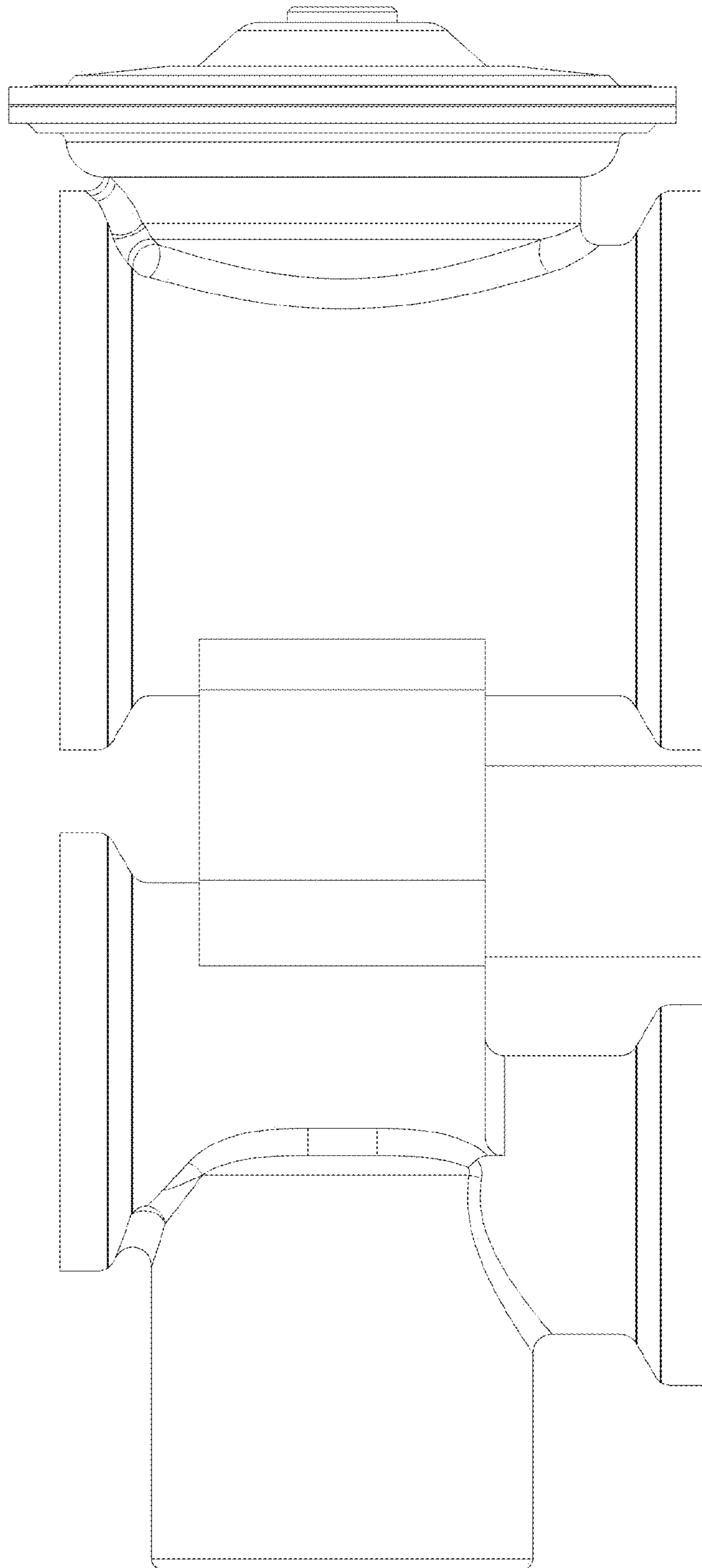


FIG. 3

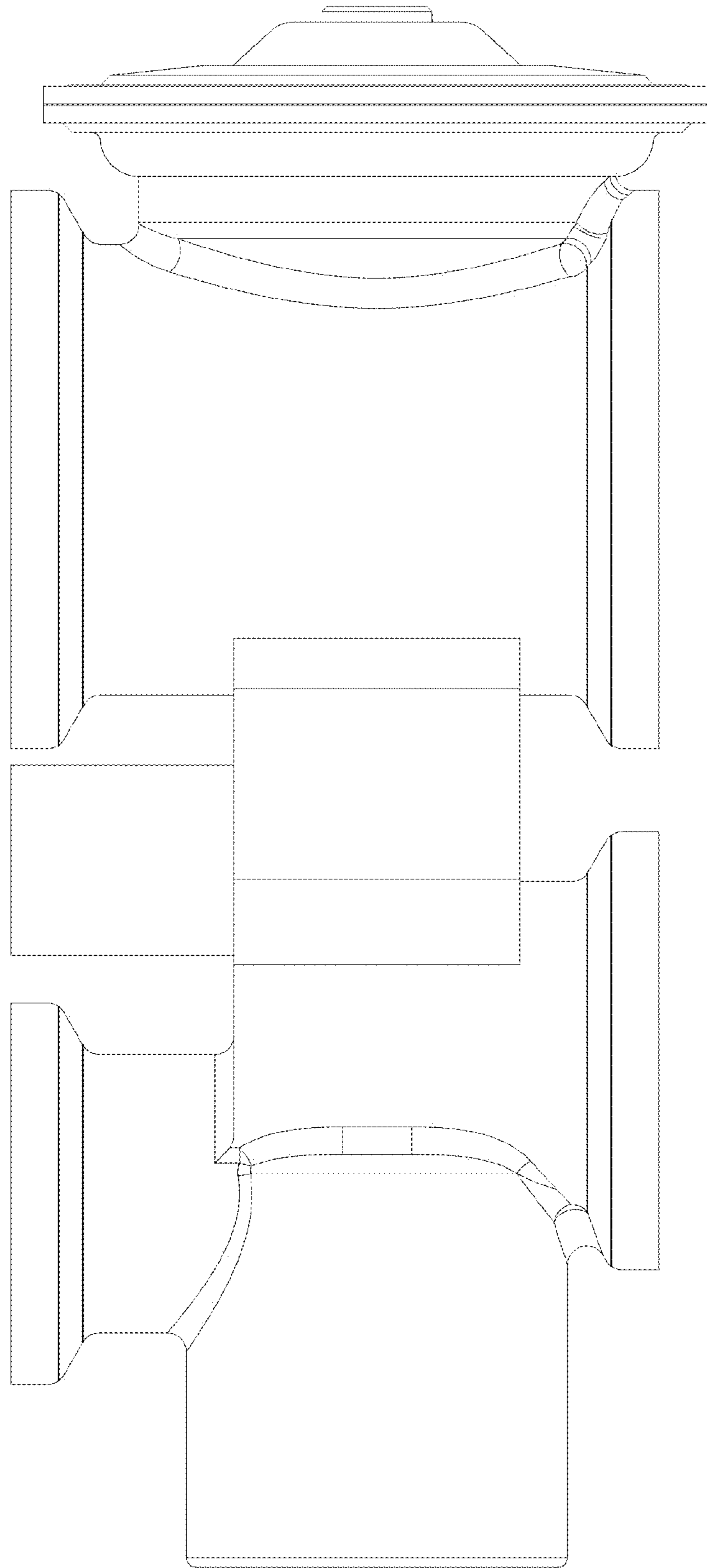


FIG. 4

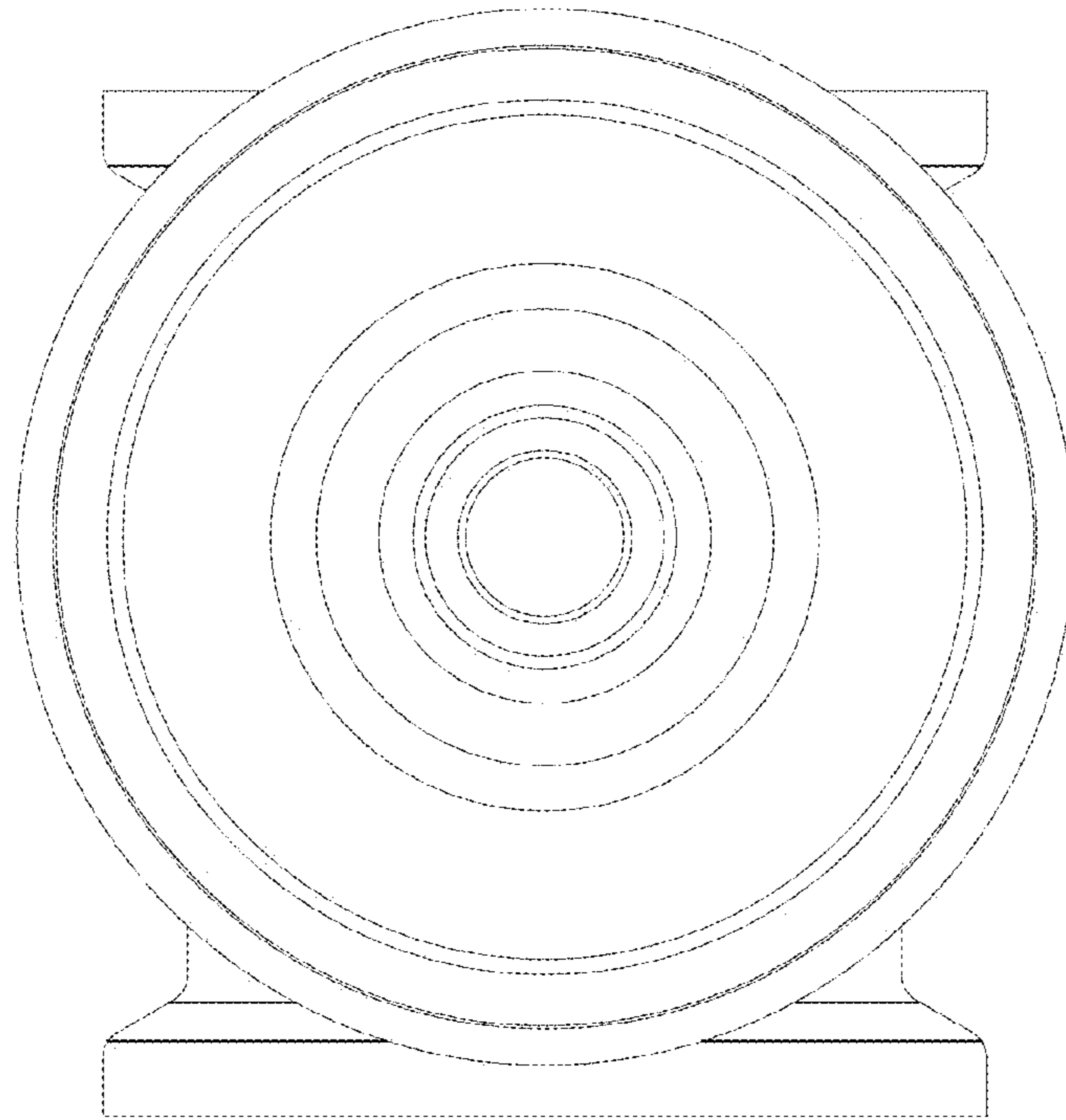


FIG. 5

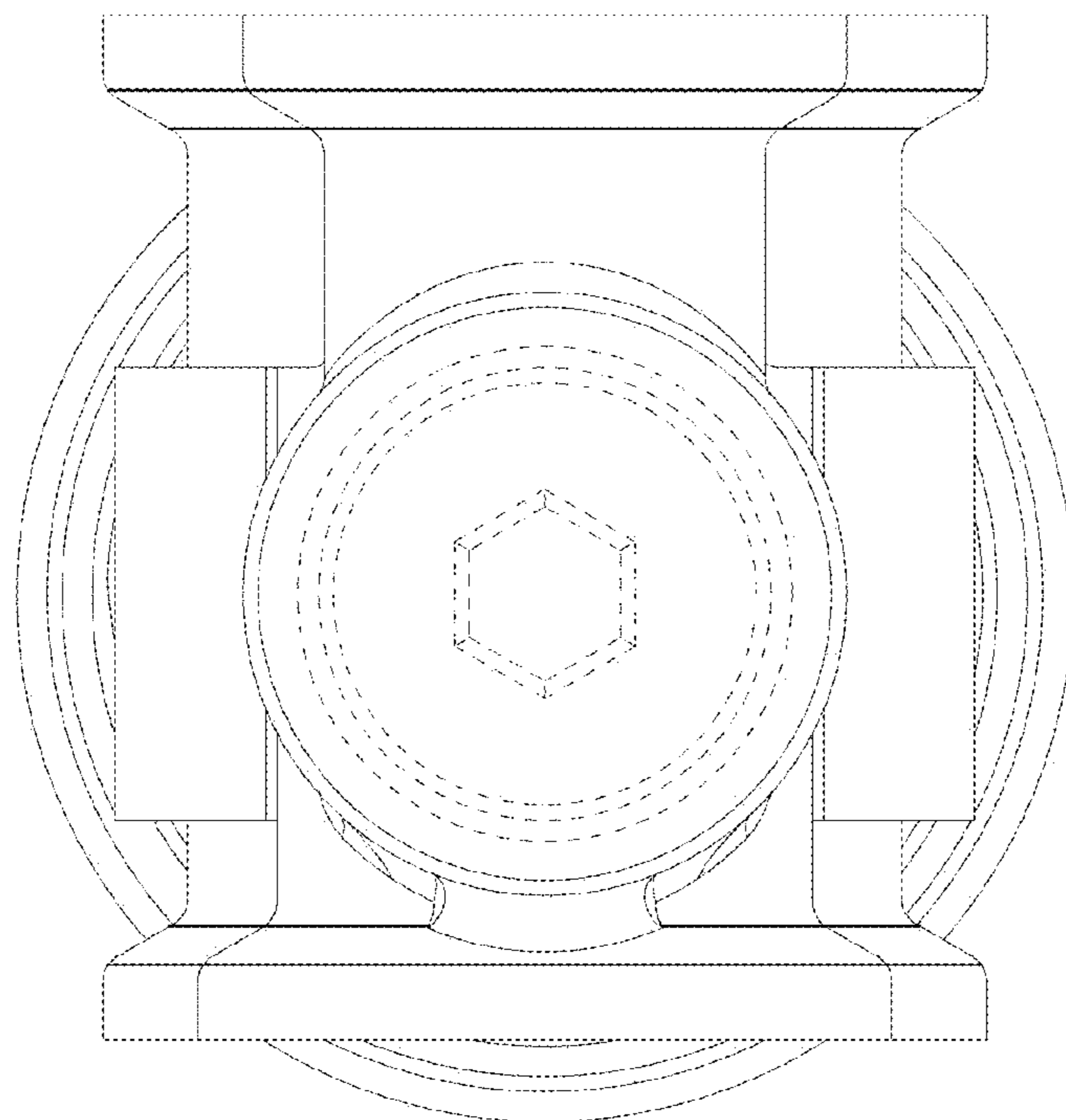


FIG. 6

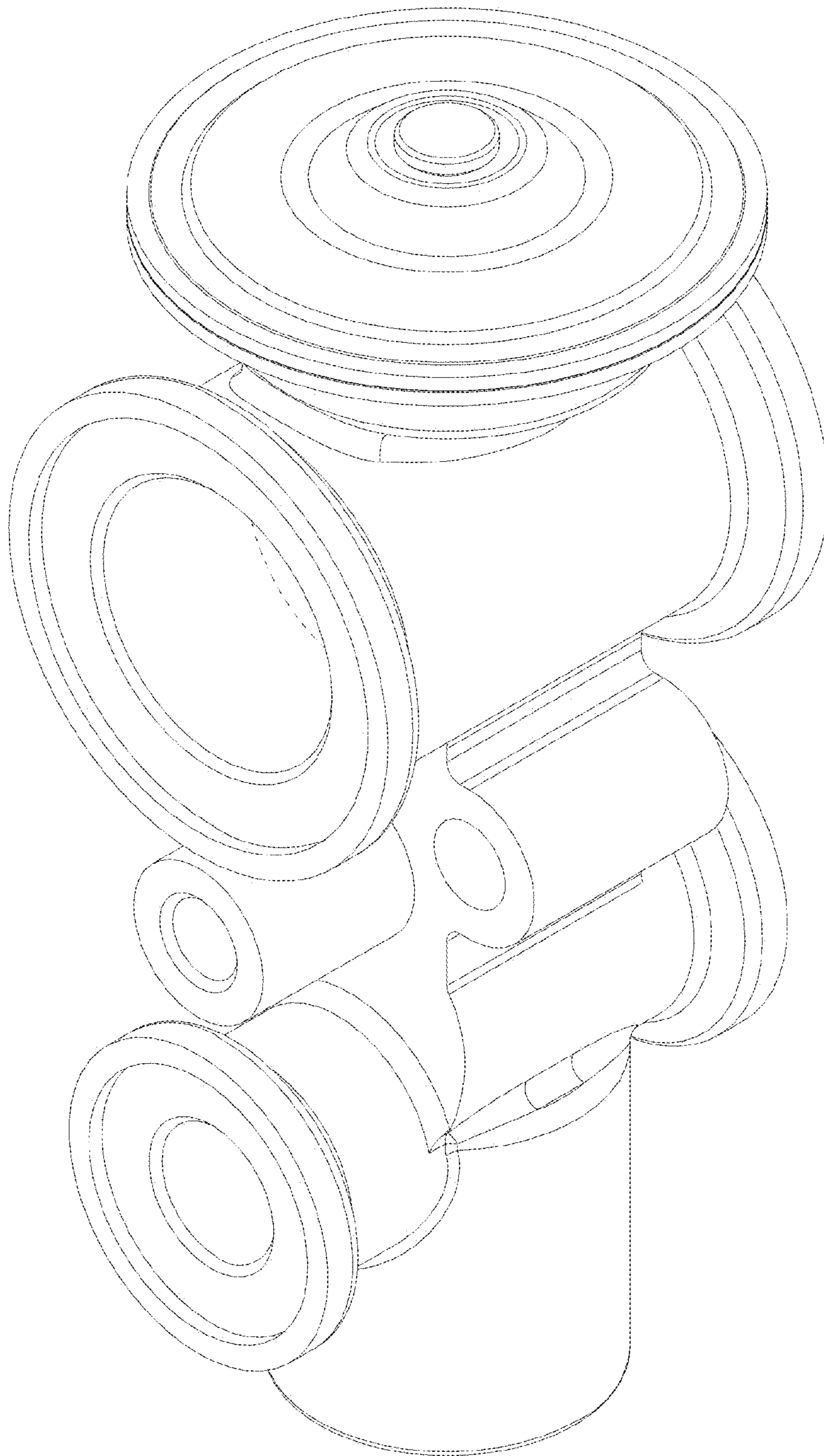


FIG. 7