



US00D765224S

(12) **United States Design Patent**
Voelker

(10) **Patent No.:** **US D765,224 S**

(45) **Date of Patent:** **** Aug. 30, 2016**

(54) **SPRAYER**

(71) Applicant: **Monsanto Technology LLC**, St. Louis, MO (US)

(72) Inventor: **Scott C. Voelker**, St. Louis, MO (US)

(73) Assignee: **MONSANTO TECHNOLOGY LLC**, St. Louis, MO (US)

(**) Term: **14 Years**

(21) Appl. No.: **29/524,867**

(22) Filed: **Apr. 23, 2015**

(51) **LOC (10) Cl.** **23-01**

(52) **U.S. Cl.**
USPC **D23/225**

(58) **Field of Classification Search**
USPC D23/213, 223, 225, 226; 239/302, 308, 239/310, 332, 333, 337, 526; 222/465.1, 222/383.1, 383.3, 143; D8/1, 2
CPC B05B 5/1691; B05B 9/01
See application file for complete search history.

(56) **References Cited**

U.S. PATENT DOCUMENTS

- 5,755,361 A * 5/1998 Restive B05B 9/0883
222/209
- 6,820,769 B2 * 11/2004 Foster B05B 11/3011
222/153.13

8,038,038 B2 * 10/2011 Hillhouse B05B 9/0426
185/39

8,141,754 B2 * 3/2012 Conner B05B 9/007
222/325

D713,001 S * 9/2014 Voelker D23/213

D713,499 S * 9/2014 Voelker D23/225

* cited by examiner

Primary Examiner — Robin V Webster

(74) *Attorney, Agent, or Firm* — Joseph A. Schaper; Harness, Dickey & Pierce, P.L.C.

(57) **CLAIM**

The ornamental design for a sprayer, as shown and described.

DESCRIPTION

FIG. 1 is a perspective view of a sprayer in accordance with my new design;

FIG. 2 is a front elevation view thereof;

FIG. 3 is a rear elevation view thereof;

FIG. 4 is a left side elevation view thereof;

FIG. 5 is a right side elevation view thereof;

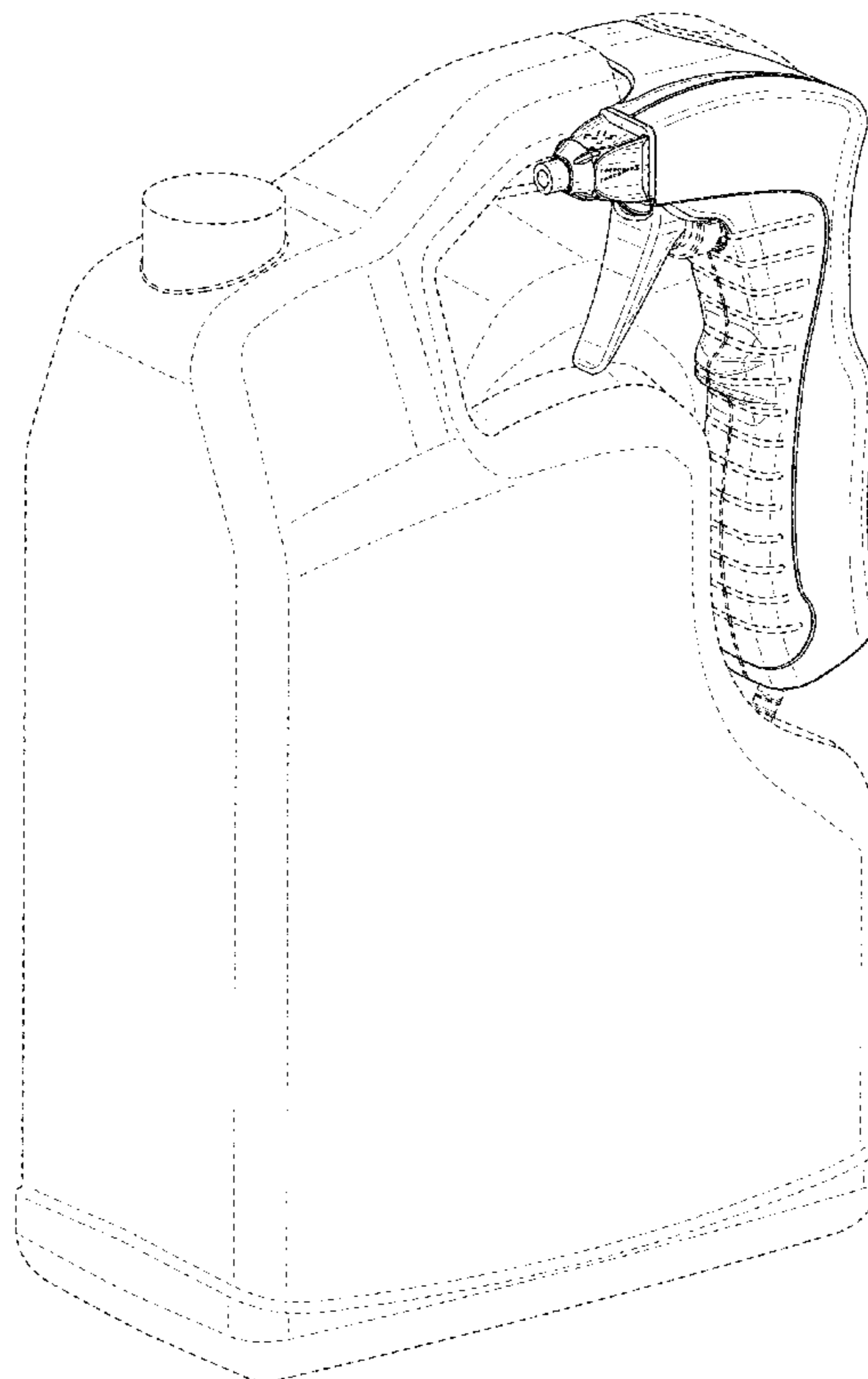
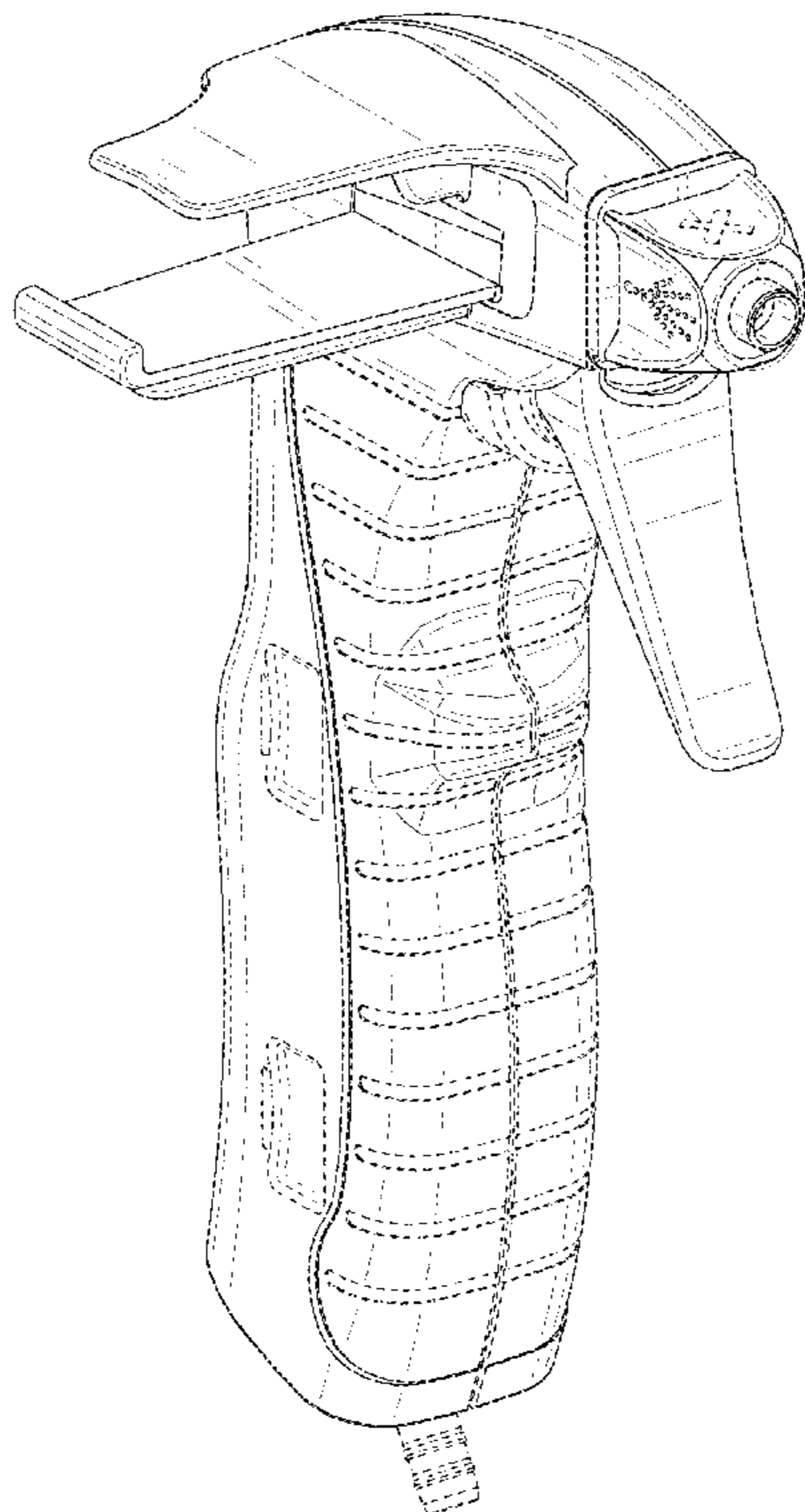
FIG. 6 is a top plan view thereof;

FIG. 7 is a bottom plan view thereof; and,

FIG. 8 is a perspective view of the sprayer shown in FIG. 1 and illustrating an example environment in which the sprayer may be used, whereby the sprayer is releasably coupled to a handle of a container.

The details shown in broken lines are for illustrative purposes only and form no part of the claimed design.

1 Claim, 8 Drawing Sheets



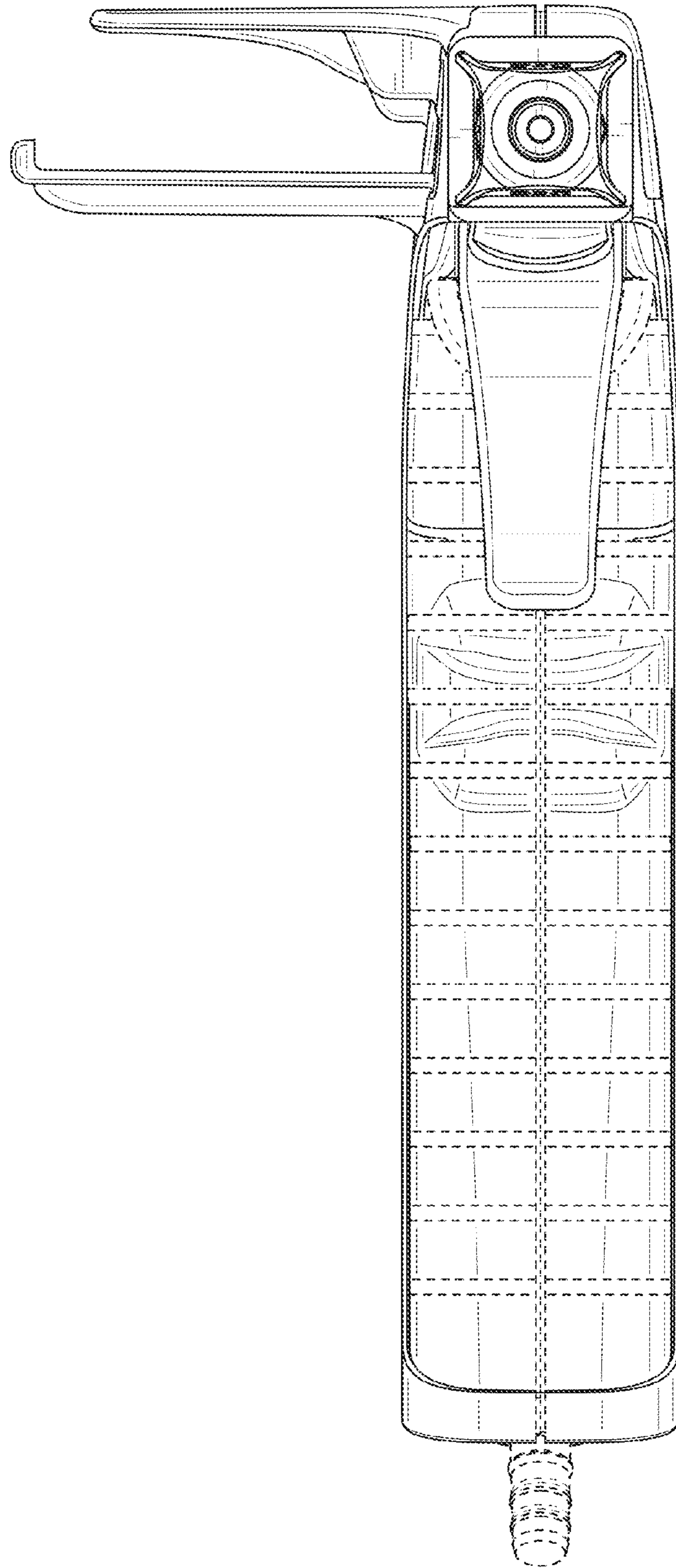


FIG. 2

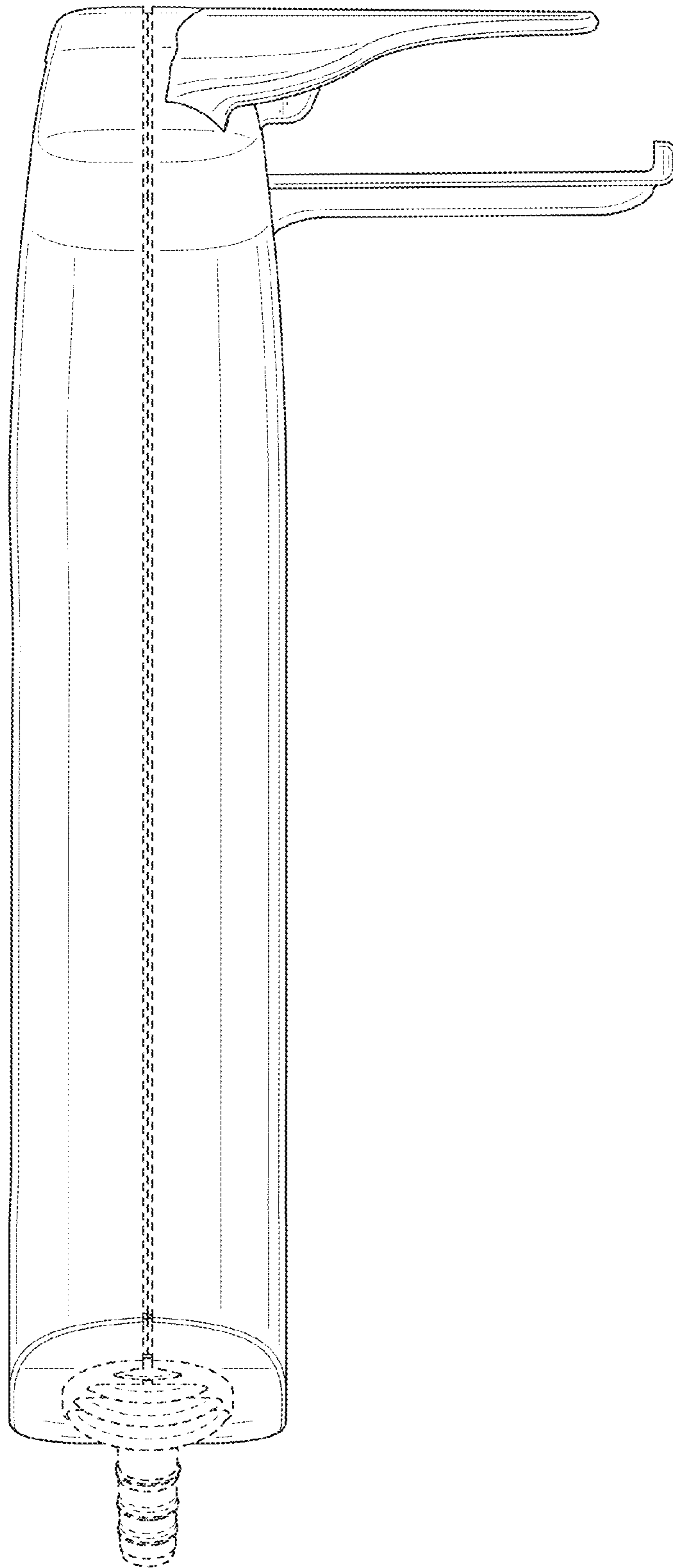


FIG. 3

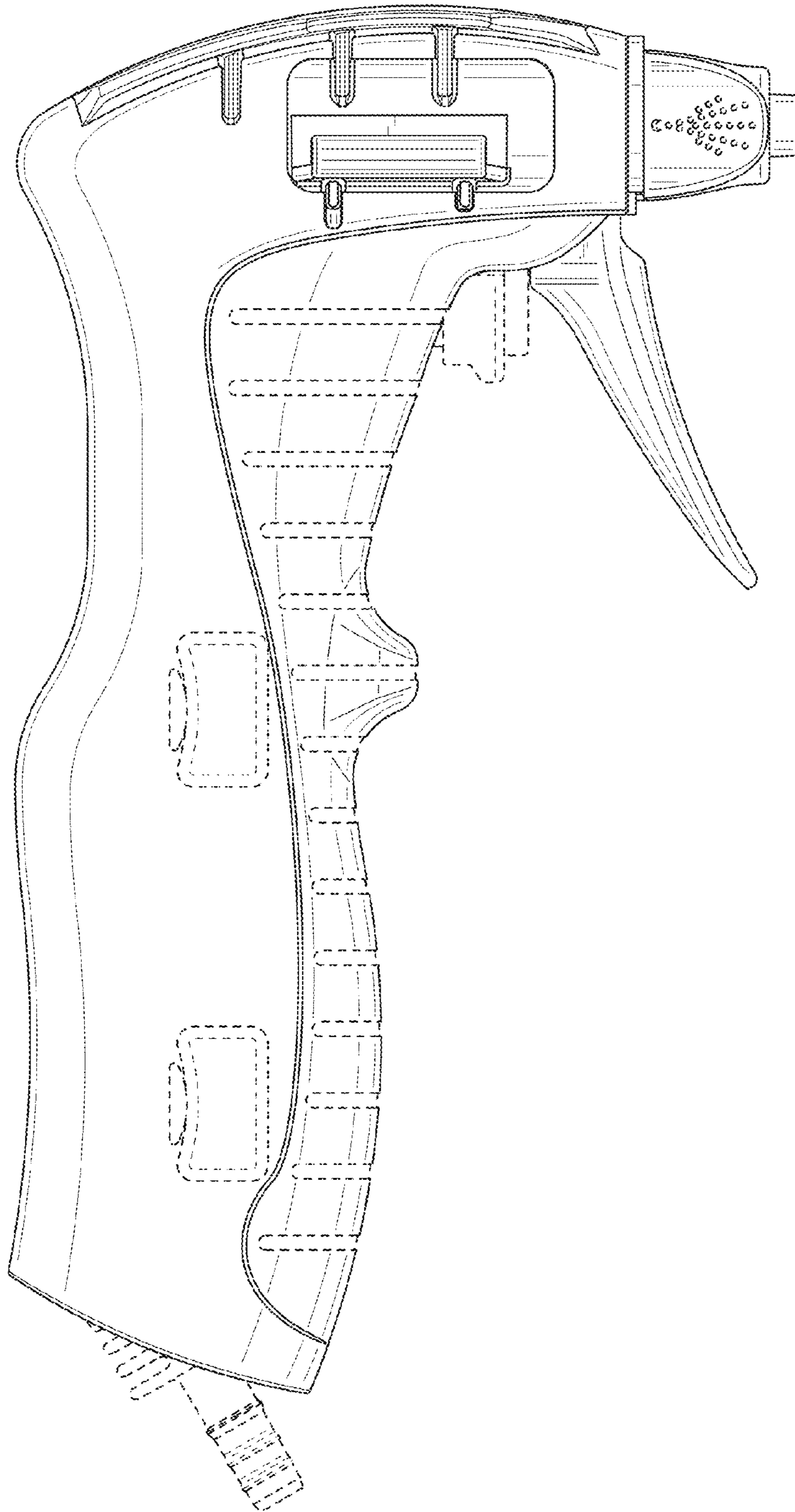


FIG. 4

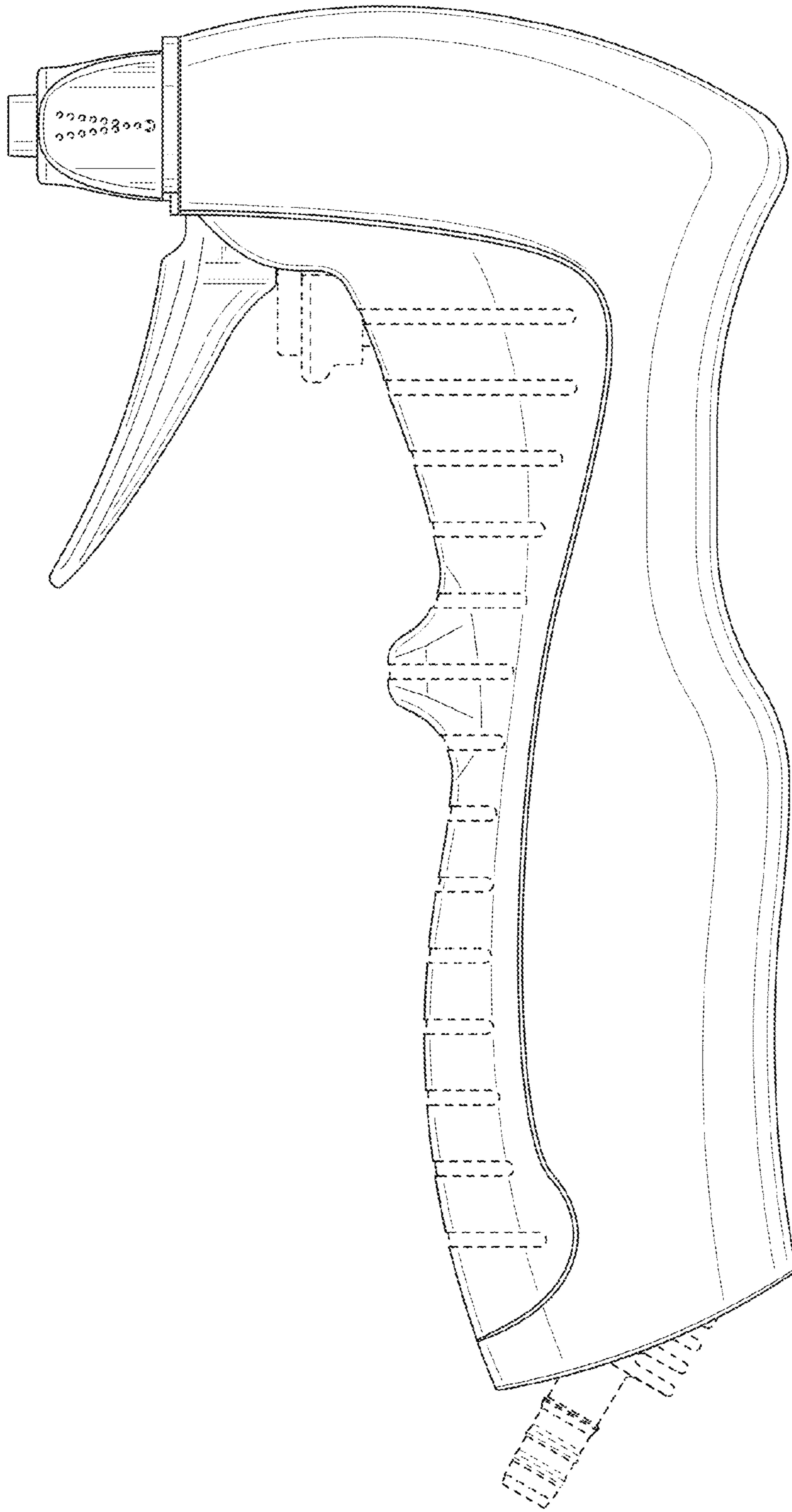


FIG. 5

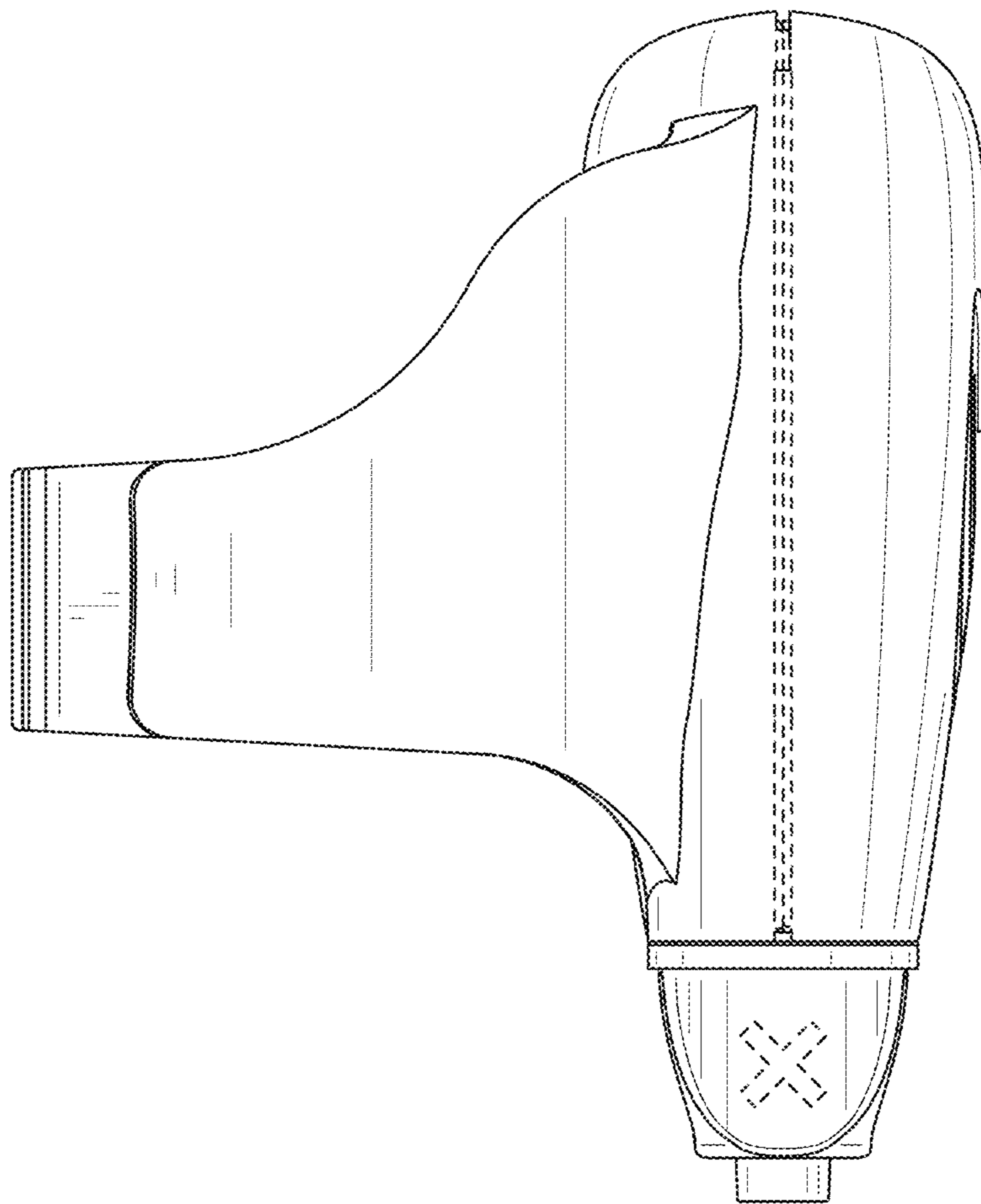


FIG. 6

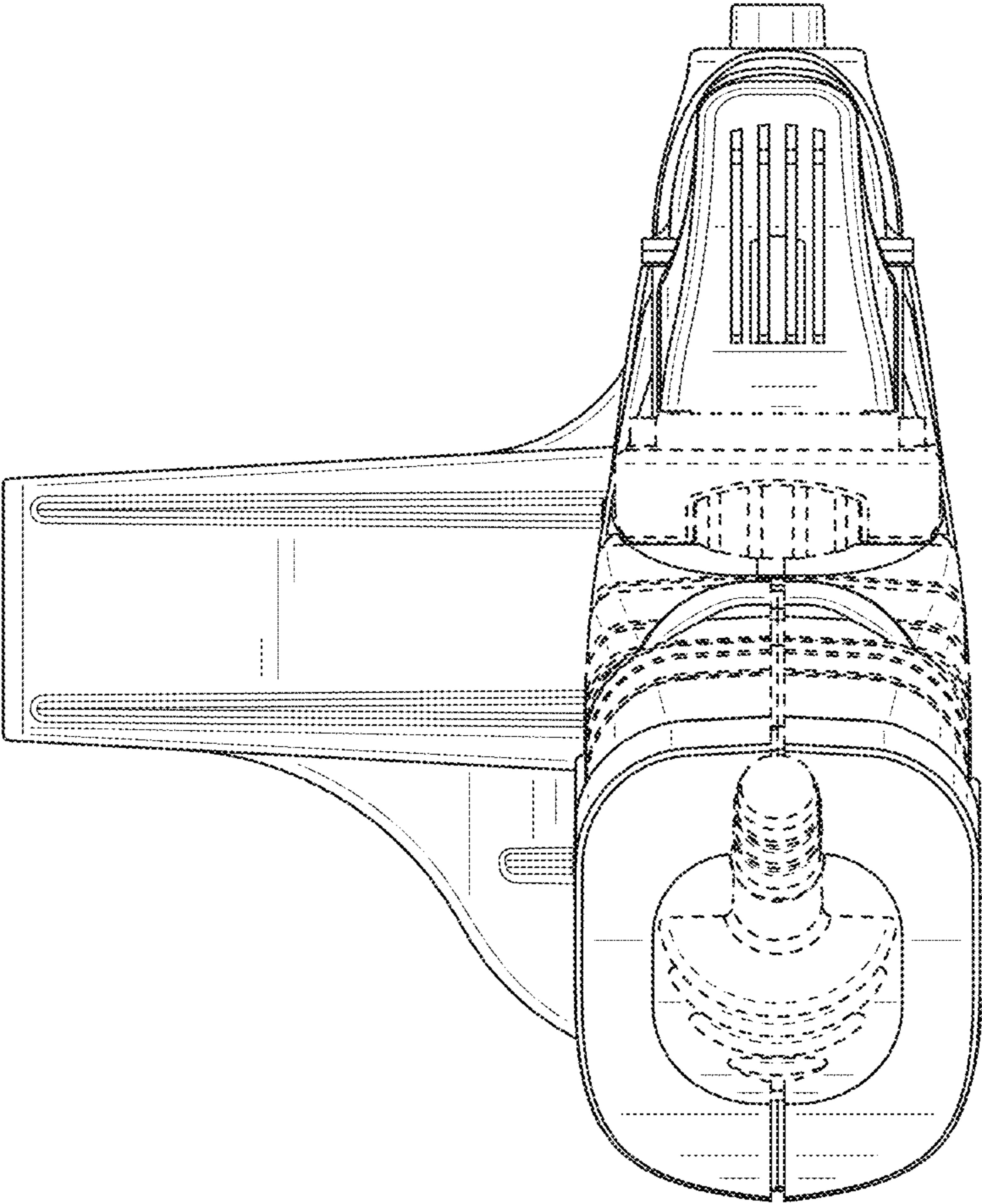


FIG. 7

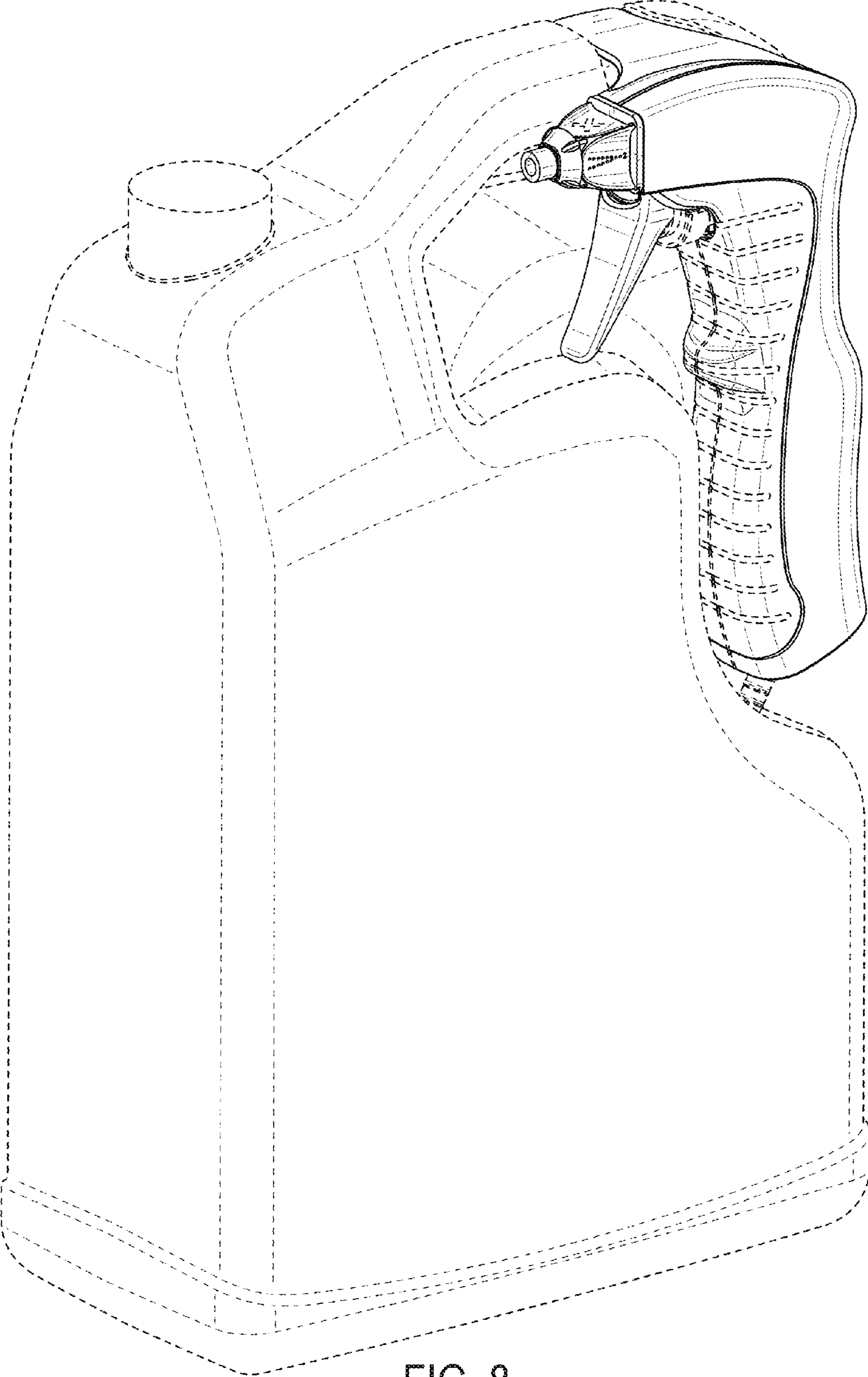


FIG. 8