



US00D765223S

(12) **United States Design Patent**  
**Schoenherr et al.**

(10) **Patent No.:** **US D765,223 S**

(45) **Date of Patent:** **\*\* Aug. 30, 2016**

(54) **OVERHEAD SHOWER**

(71) Applicant: **Hansgrohe SE**, Schiltach (DE)

(72) Inventors: **Tom Schoenherr**, Stuttgart (DE);  
**Matthias Oesterle**, Winterbach (DE);  
**Marco Flaig**, Stuttgart (DE)

(73) Assignee: **Hansgrohe SE**, Schiltach (DE)

(\*\*) Term: **15 Years**

(21) Appl. No.: **29/534,166**

(22) Filed: **Jul. 27, 2015**

(30) **Foreign Application Priority Data**

Feb. 4, 2015 (EM) ..... 002626663-0001

(51) **LOC (10) Cl.** ..... **23-01**

(52) **U.S. Cl.**  
USPC ..... **D23/213**

(58) **Field of Classification Search**  
USPC ..... D23/213, 229, 230; 239/462; 4/615  
CPC ..... B05B 1/00; B05B 1/18  
See application file for complete search history.

(56) **References Cited**

**U.S. PATENT DOCUMENTS**

D590,476 S \* 4/2009 Schonherr ..... D23/213  
D594,928 S \* 6/2009 Beschi ..... D23/213  
D612,008 S \* 3/2010 Schoenherr ..... D23/213  
D626,194 S \* 10/2010 Kakihana ..... D23/213  
D628,270 S \* 11/2010 Hanna ..... D23/213  
D656,222 S \* 3/2012 Su ..... D23/213

D694,358 S \* 11/2013 Schoenherr ..... D23/213  
D713,496 S \* 9/2014 Schoenherr ..... D23/213  
D750,201 S \* 2/2016 Schoenherr ..... D23/213  
D751,174 S \* 3/2016 Schoenherr ..... D23/213  
D751,176 S \* 3/2016 Schoenherr ..... D23/213

**FOREIGN PATENT DOCUMENTS**

EM 001194005-0001 2/2010  
EM 001844911-0001 4/2011  
EM 001844911-0017 4/2011  
EM 001844911-0019 4/2011  
WO DM/086579 6/2015

\* cited by examiner

*Primary Examiner* — Robin V Webster

(74) *Attorney, Agent, or Firm* — Lora J. Graentzdoerffer

(57) **CLAIM**

The ornamental design for an overhead shower, as shown and described.

**DESCRIPTION**

FIG. 1 is a perspective view of an overhead shower showing our design;

FIG. 2 is a front elevation view;

FIG. 3 is a rear elevation view;

FIG. 4 is a right side elevation view; the left side elevation view being a mirror image;

FIG. 5 is a top plan view; and,

FIG. 6 is a bottom plan view.

The broken-line disclosure in the views represents portions of the overhead shower in which the claimed design is embodied, but which form no part of the claimed design.

**1 Claim, 6 Drawing Sheets**

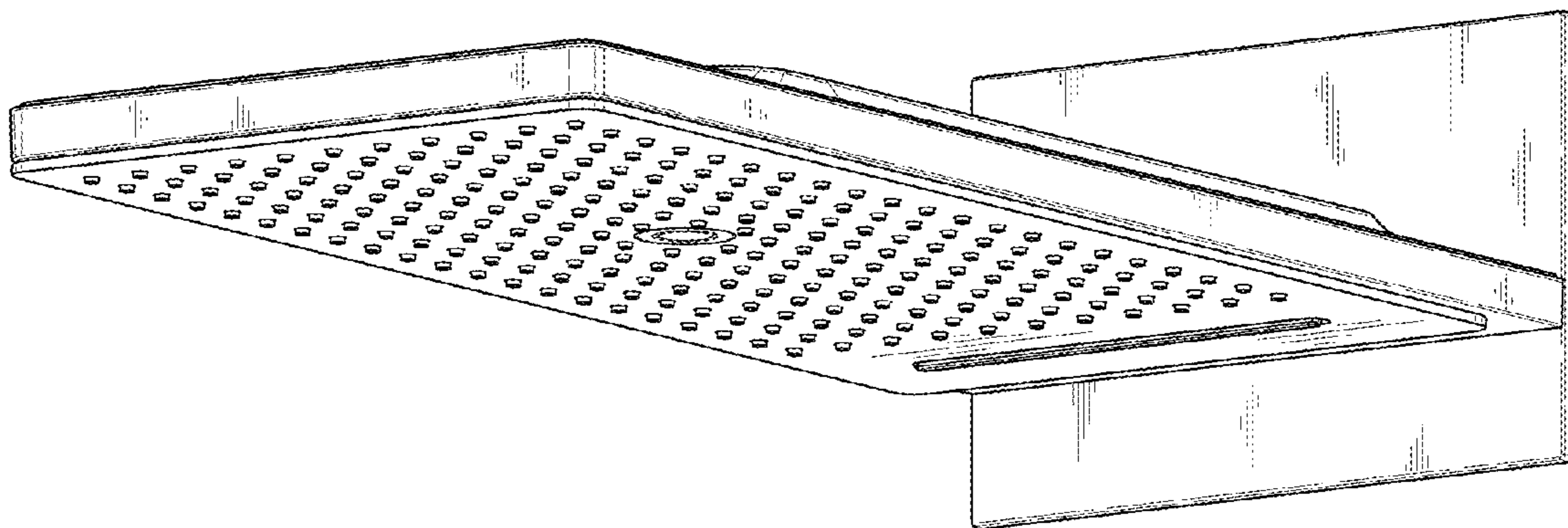


FIG. 1

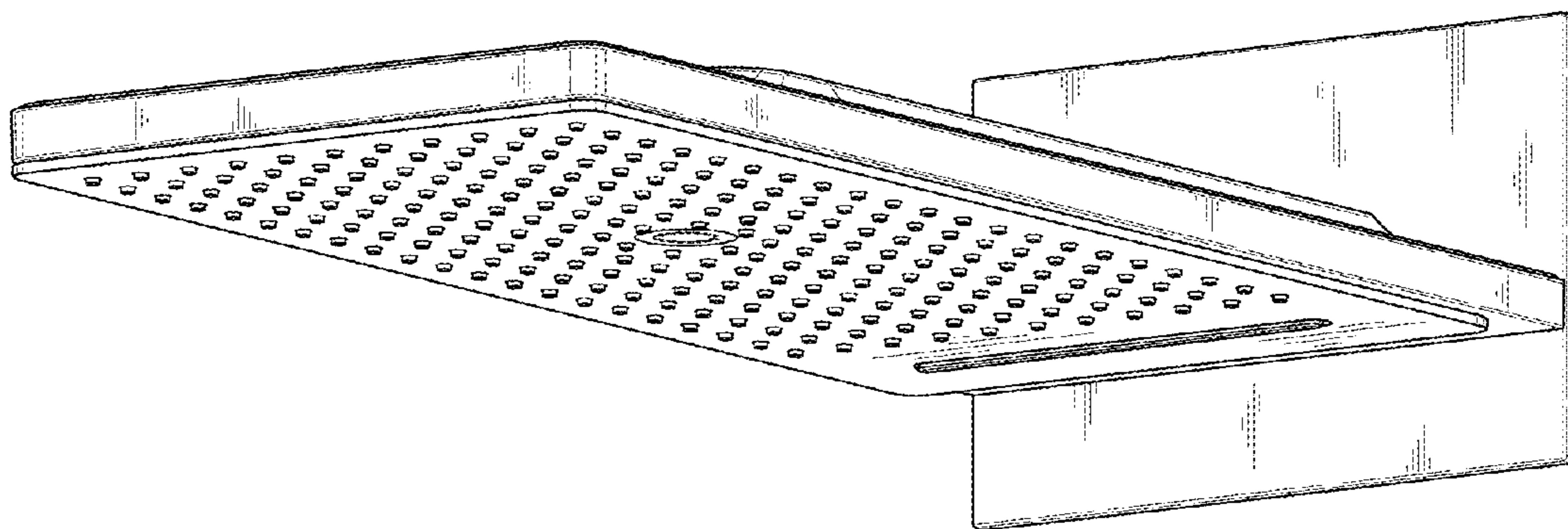
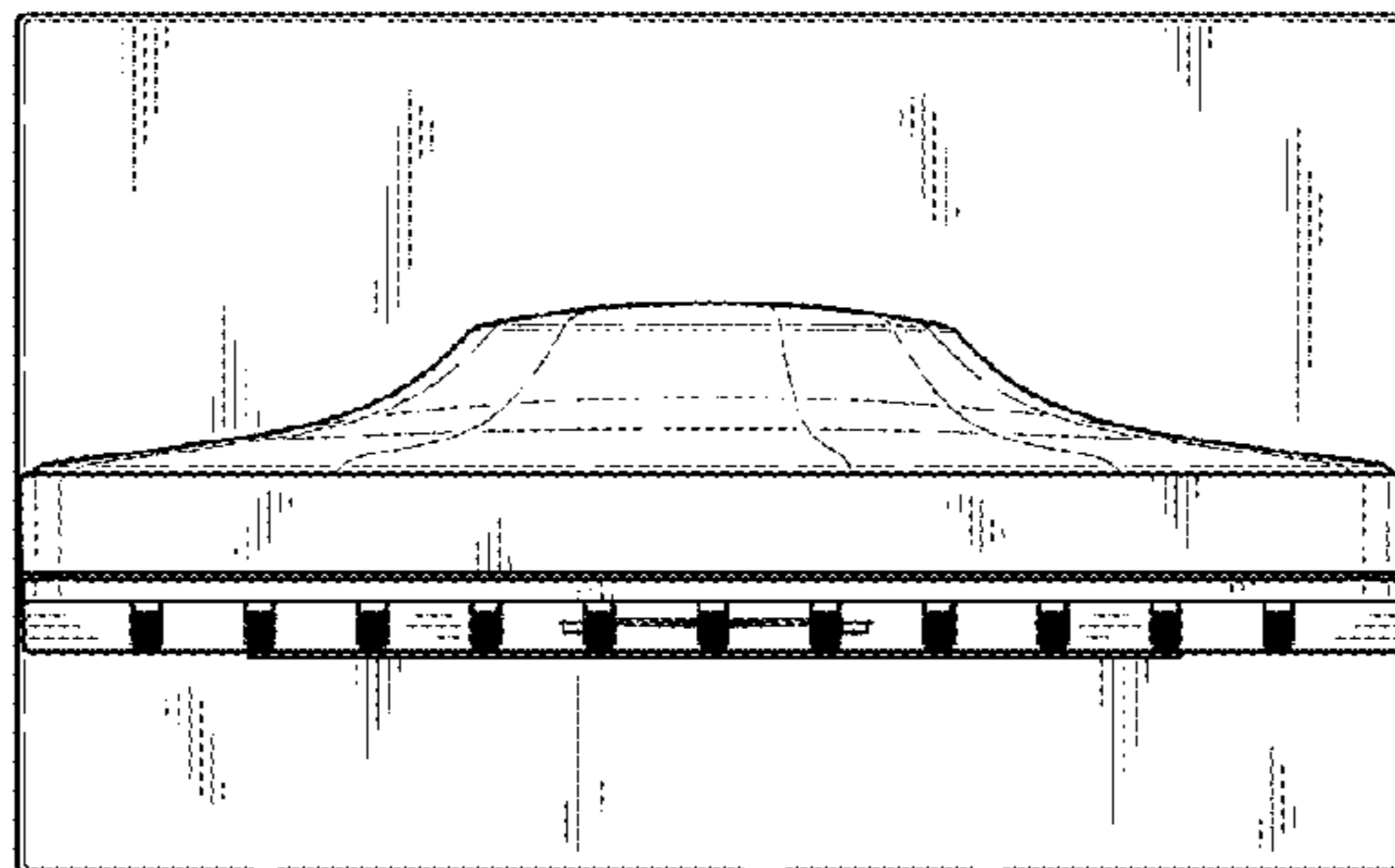


FIG. 2



**FIG. 3**

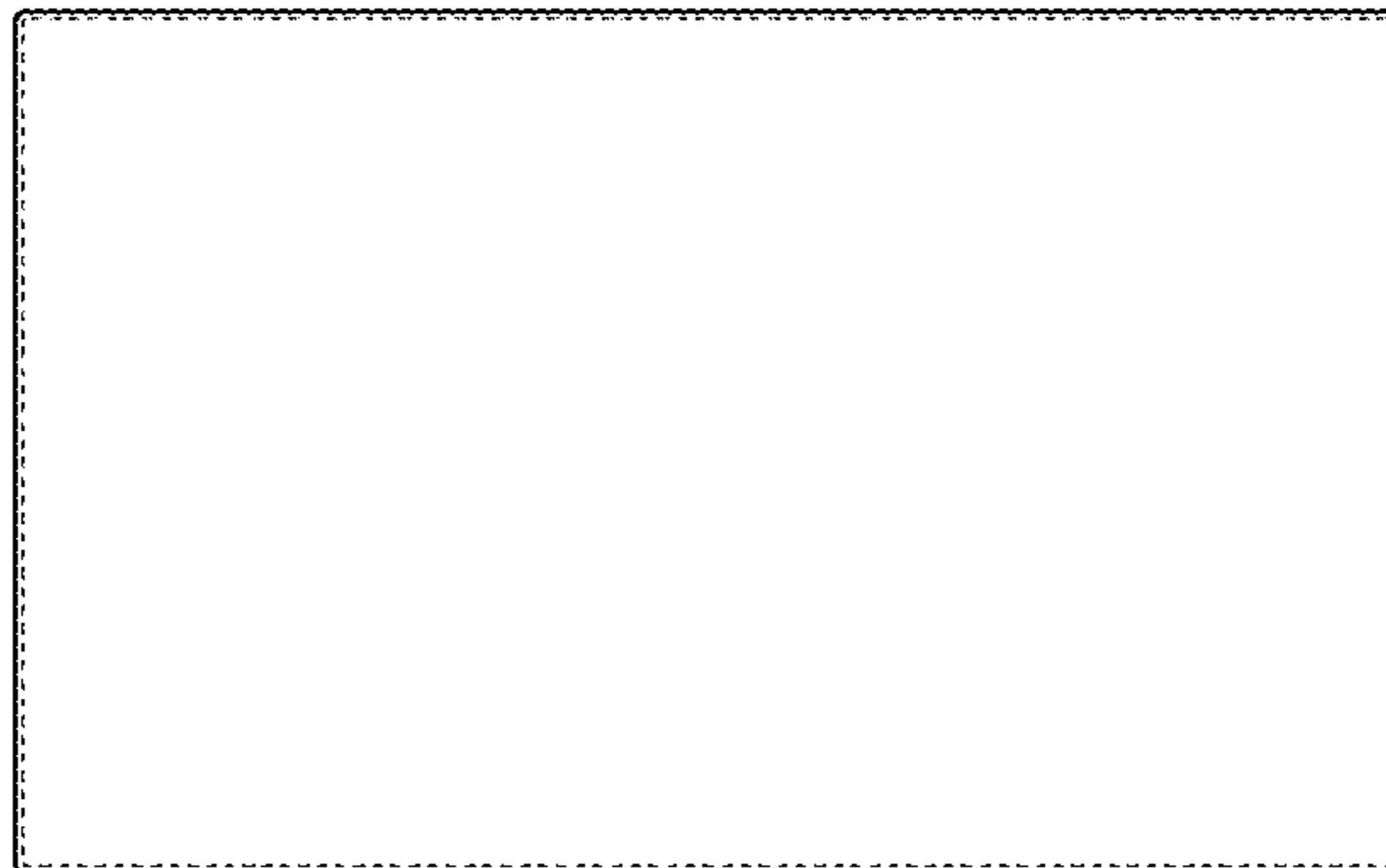


FIG. 4

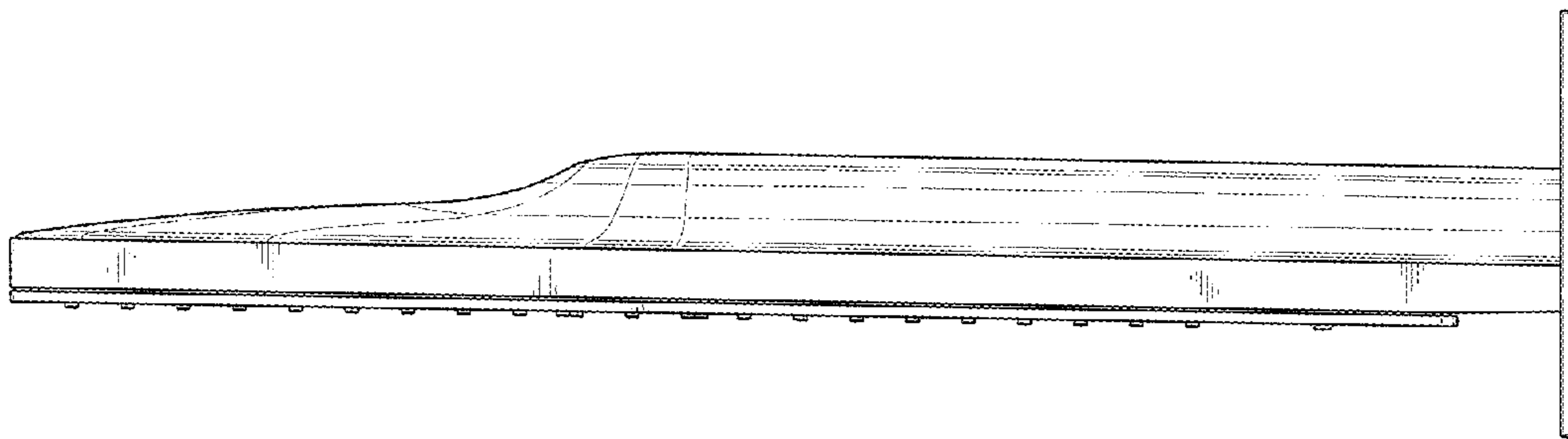


FIG. 5

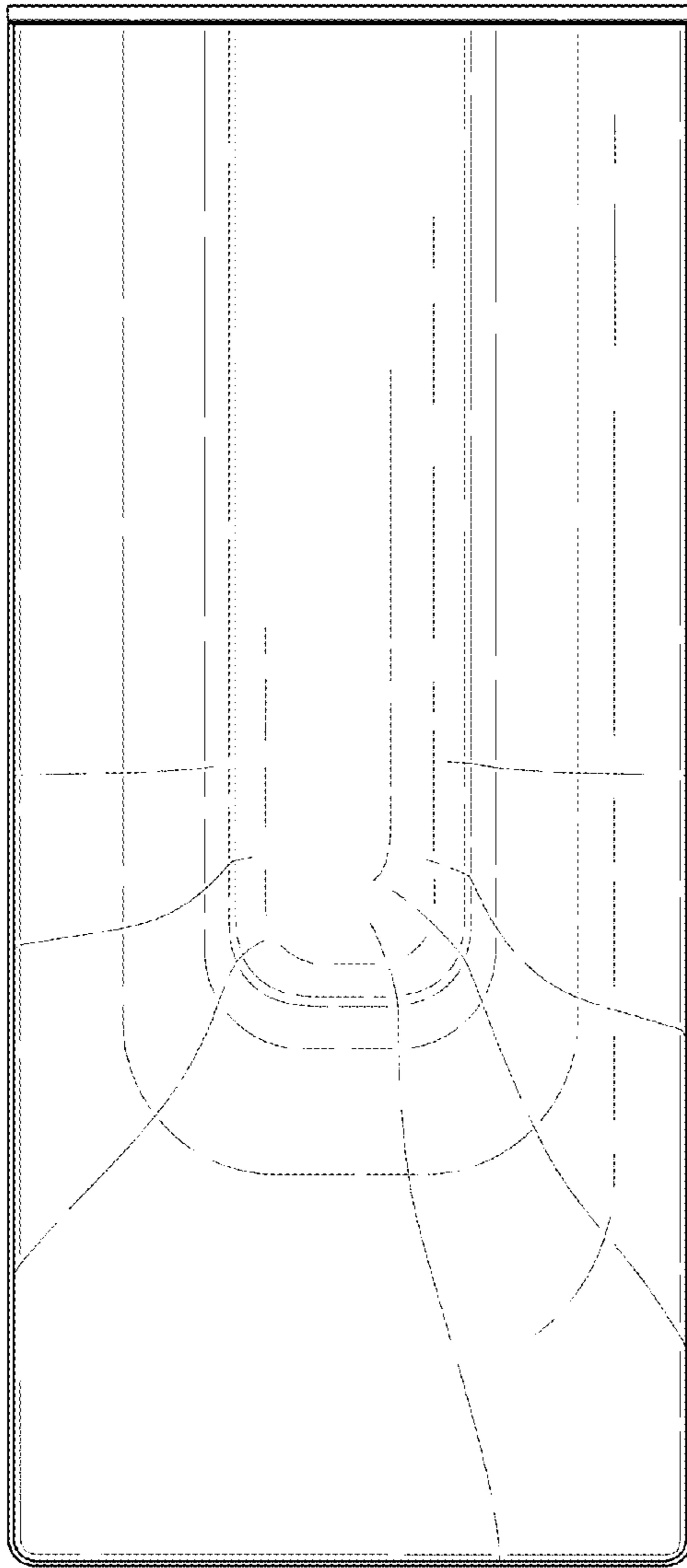


FIG. 6

