



US00D765221S

(12) **United States Design Patent**  
**Schwartz et al.**

(10) **Patent No.:** **US D765,221 S**

(45) **Date of Patent:** **\*\* Aug. 30, 2016**

(54) **FILTER ELEMENT**  
(71) Applicant: **Cummins Filtration IP, Inc.**, Columbus, IN (US)  
(72) Inventors: **Scott W. Schwartz**, Cottage Grove, WI (US); **Robert A. Bannister**, Stoughton, WI (US); **Joel D. Roltgen**, DeForest, WI (US); **Jeffrey A. Rech**, Verona, WI (US); **Stephen L. Fallon**, Oregon, WI (US); **Gregory K. Loken**, Stoughton, WI (US)

7,387,726 B2 6/2008 Wolf et al.  
7,922,006 B2 \* 4/2011 Fall ..... B01D 29/111  
210/338  
8,167,966 B2 \* 5/2012 Amirkhanian ..... B01D 46/008  
210/470  
8,431,021 B2 \* 4/2013 McCague ..... C02F 1/001  
210/167.11  
D682,390 S 5/2013 Harder  
8,741,138 B2 6/2014 Oelschlaegel  
8,864,866 B2 \* 10/2014 Osendorf ..... B01D 46/0005  
210/493.2  
D726,869 S \* 4/2015 Lepine ..... D23/209  
9,168,470 B2 \* 10/2015 Moreno Linares .. B01D 35/147

(73) Assignee: **Cummins Filtration IP, Inc.**, Columbus, IN (US)

(\*\*) Term: **14 Years**

(21) Appl. No.: **29/525,590**

(22) Filed: **Apr. 30, 2015**

**Related U.S. Application Data**

(62) Division of application No. 29/490,215, filed on May 7, 2014, now Pat. No. Des. 735,293.

(51) **LOC (10) Cl.** ..... **23-01**

(52) **U.S. Cl.**  
USPC ..... **D23/209**

(58) **Field of Classification Search**  
USPC ..... D23/207, 209; D7/400; 210/232, 282, 210/244, 238, 493.2; 285/360, 361  
CPC ..... C02F 1/003; B01D 35/30; B01D 35/153; B01D 35/157  
See application file for complete search history.

(56) **References Cited**

**U.S. PATENT DOCUMENTS**

4,138,337 A 2/1979 Smith  
4,878,930 A 11/1989 Manniso et al.  
D414,544 S 9/1999 Ward et al.  
6,156,198 A 12/2000 Bartels  
D470,216 S 2/2003 Gustafson et al.

**OTHER PUBLICATIONS**

U.S. Appl. No. 61/989,974, filed May 7, 2014, Cummins Filtration IP, Inc.

\* cited by examiner

*Primary Examiner* — Robin V Webster  
(74) *Attorney, Agent, or Firm* — Foley & Lardner LLP

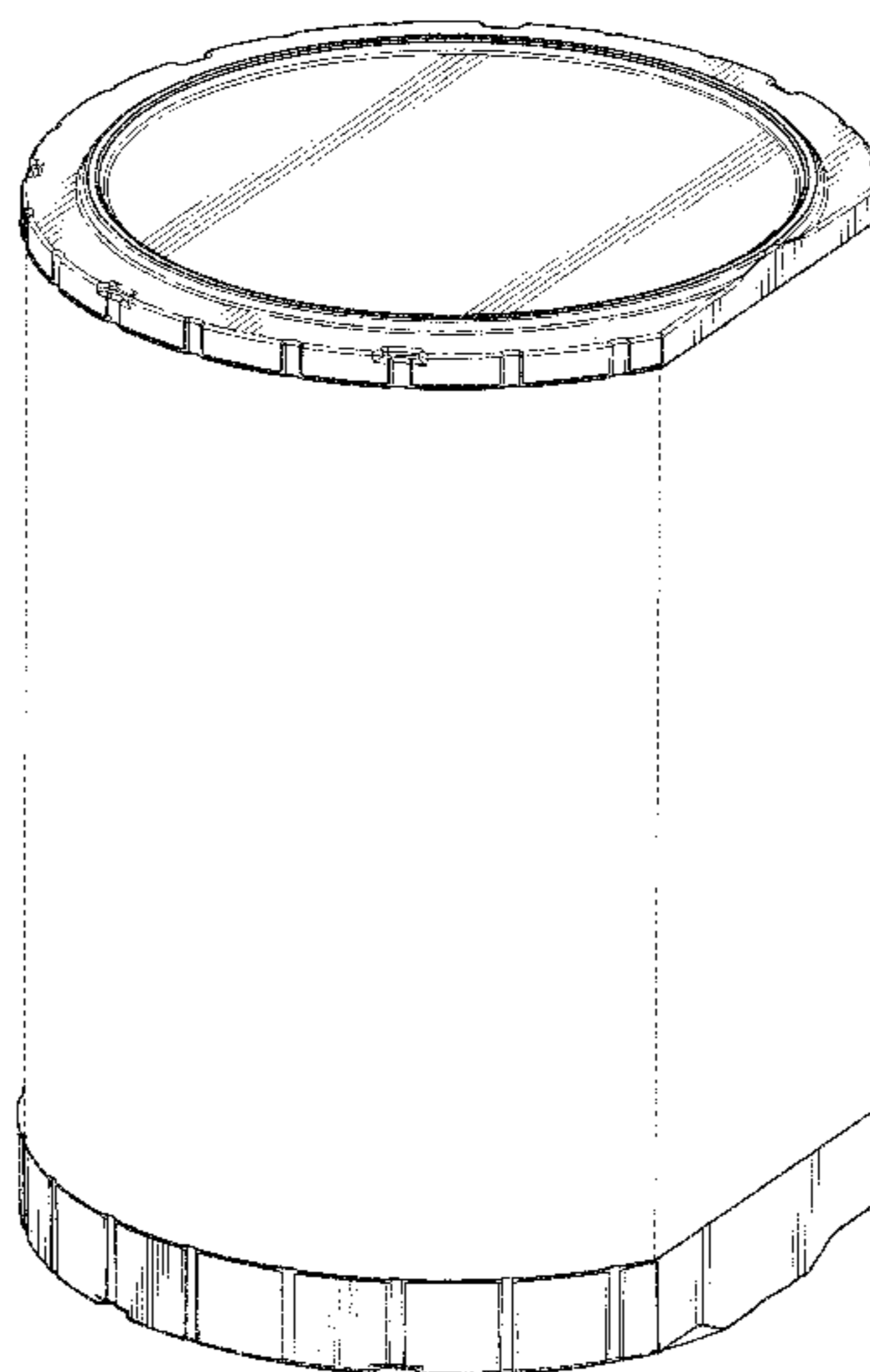
(57) **CLAIM**

We claim the ornamental design for a filter element, as shown and described.

**DESCRIPTION**

FIG. 1 is a first isometric view of a filter element according to a first embodiment;  
FIG. 2 is a second isometric view thereof;  
FIG. 3 is a front elevational view thereof;  
FIG. 4 is a rear elevational view thereof;  
FIG. 5 is a left side elevational view thereof;  
FIG. 6 is a right side elevational view thereof;  
FIG. 7 is a top plan view thereof; and,  
FIG. 8 is a bottom plan view thereof.  
The ornamental design which is claimed is shown in solid lines in the drawings. The broken lines in the drawings are for illustrative purposes only and form no part of the claimed design.

**1 Claim, 8 Drawing Sheets**



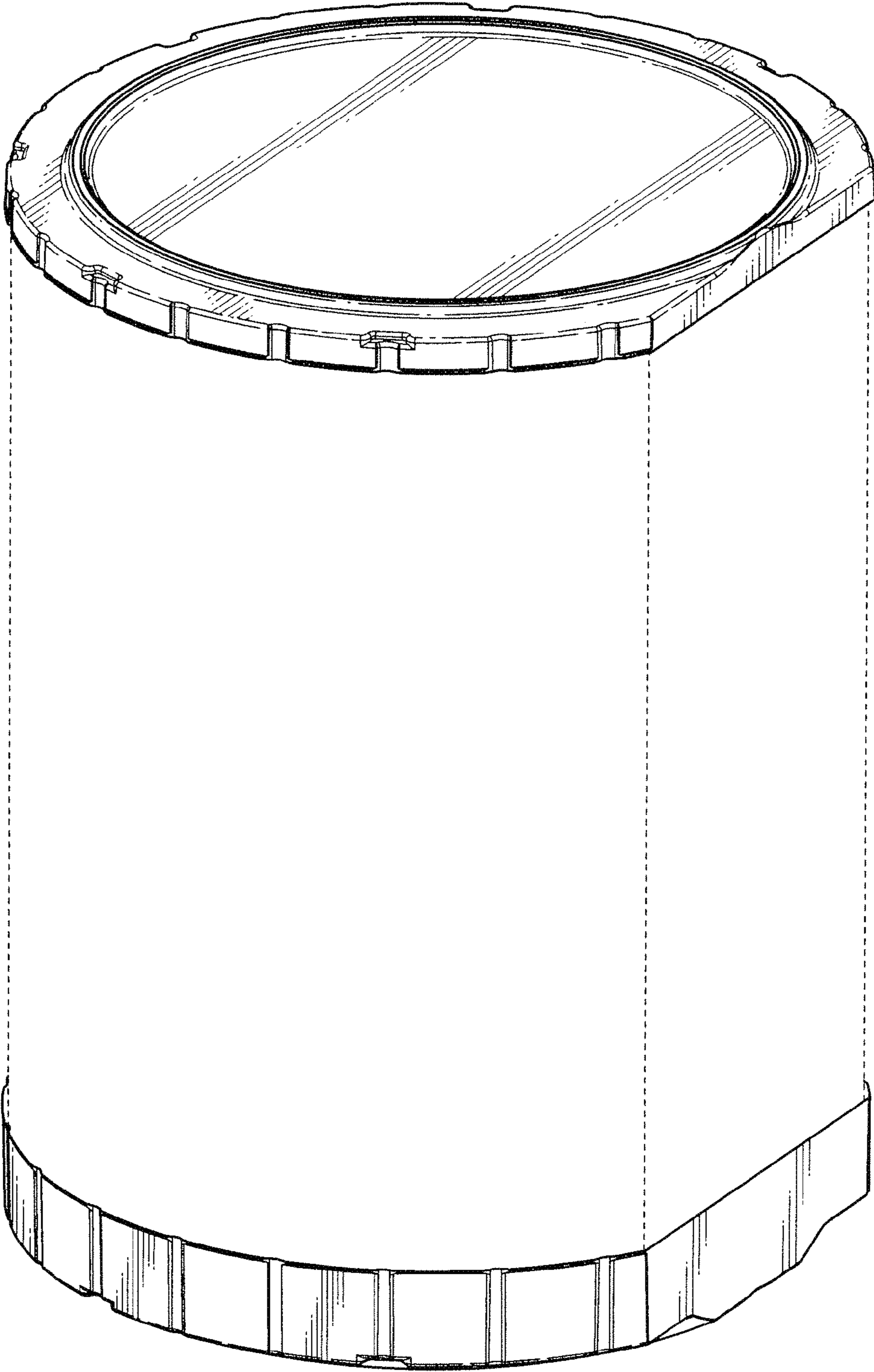


FIG. 1

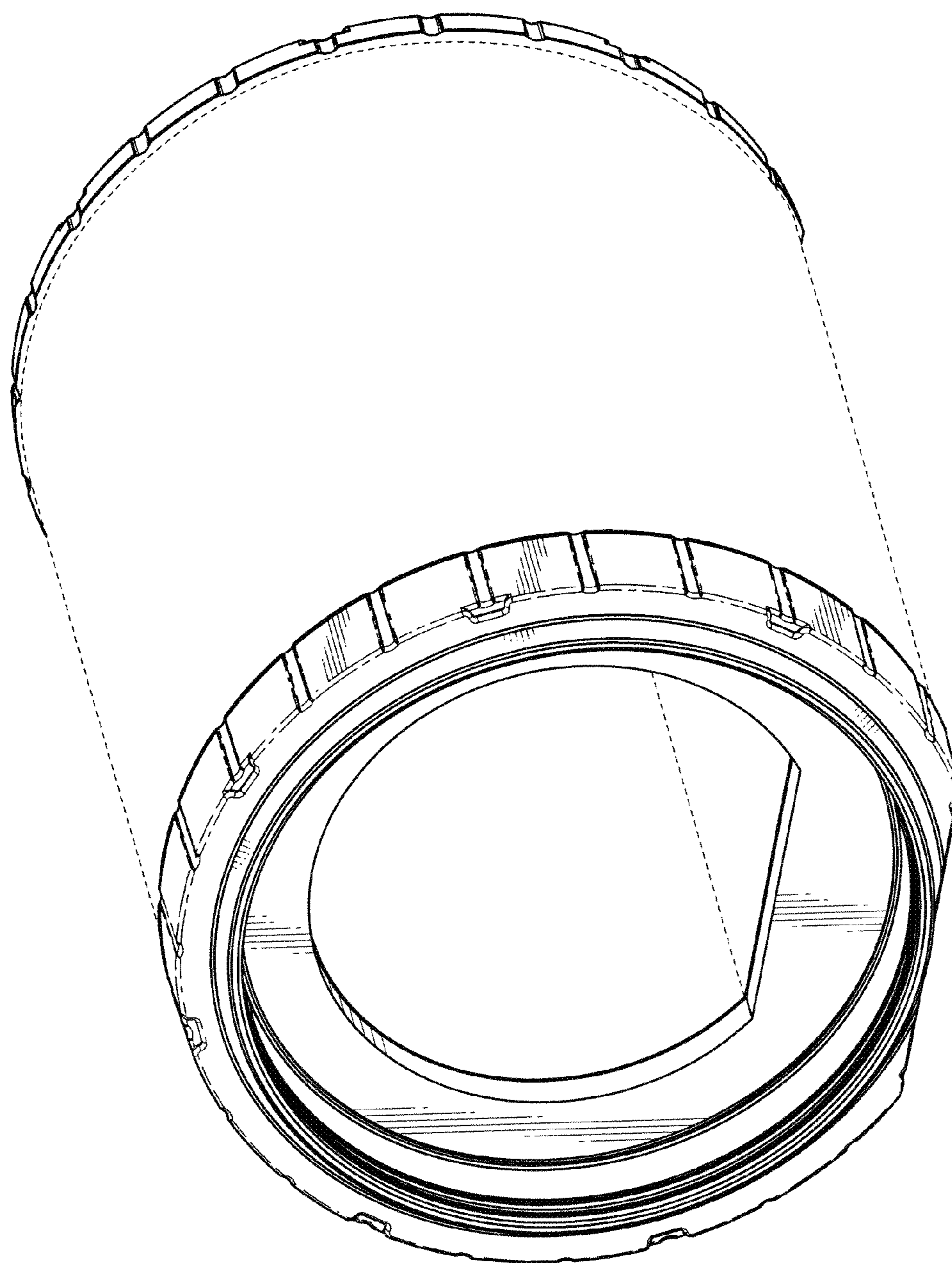


FIG. 2

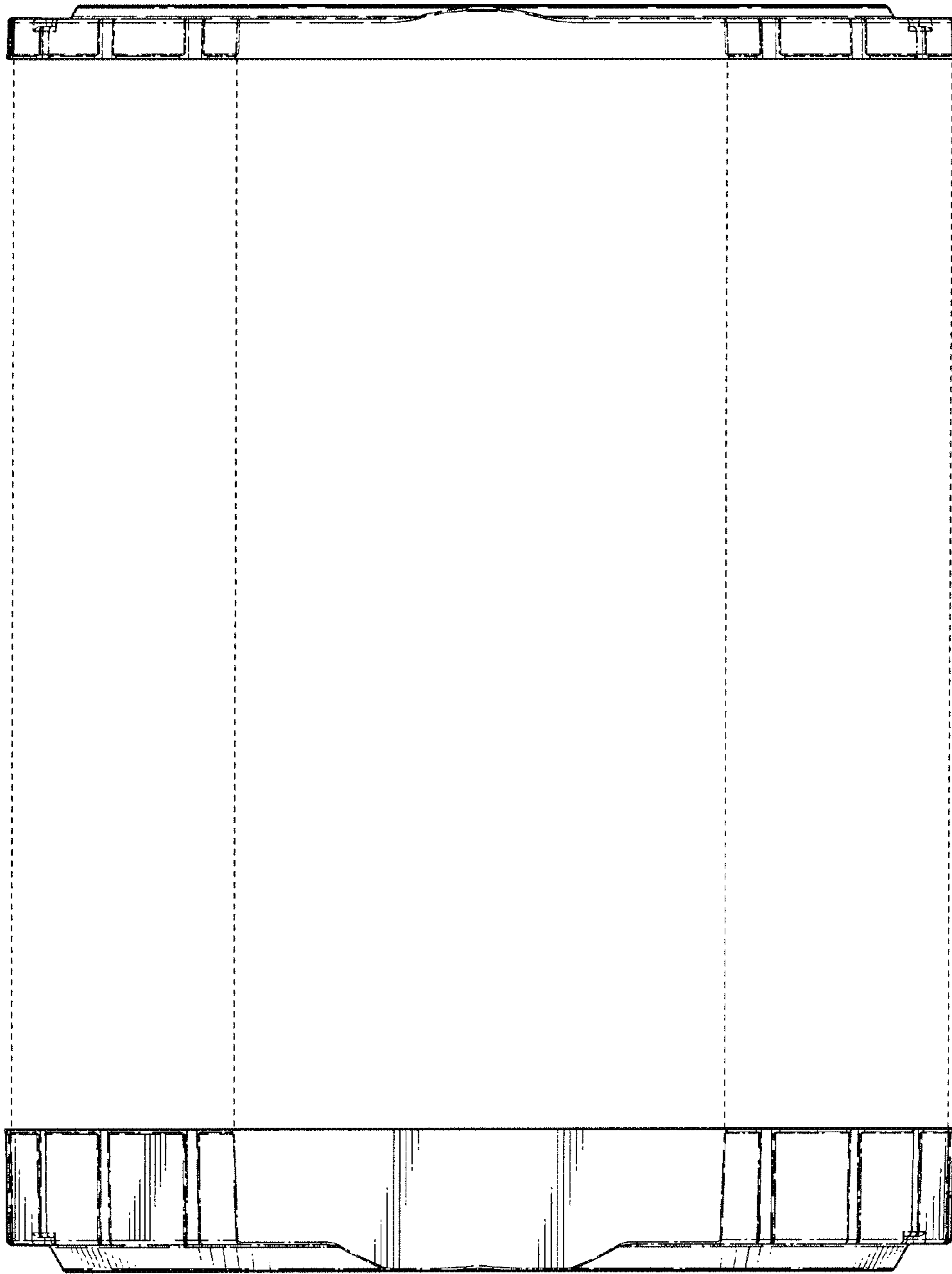


FIG. 3

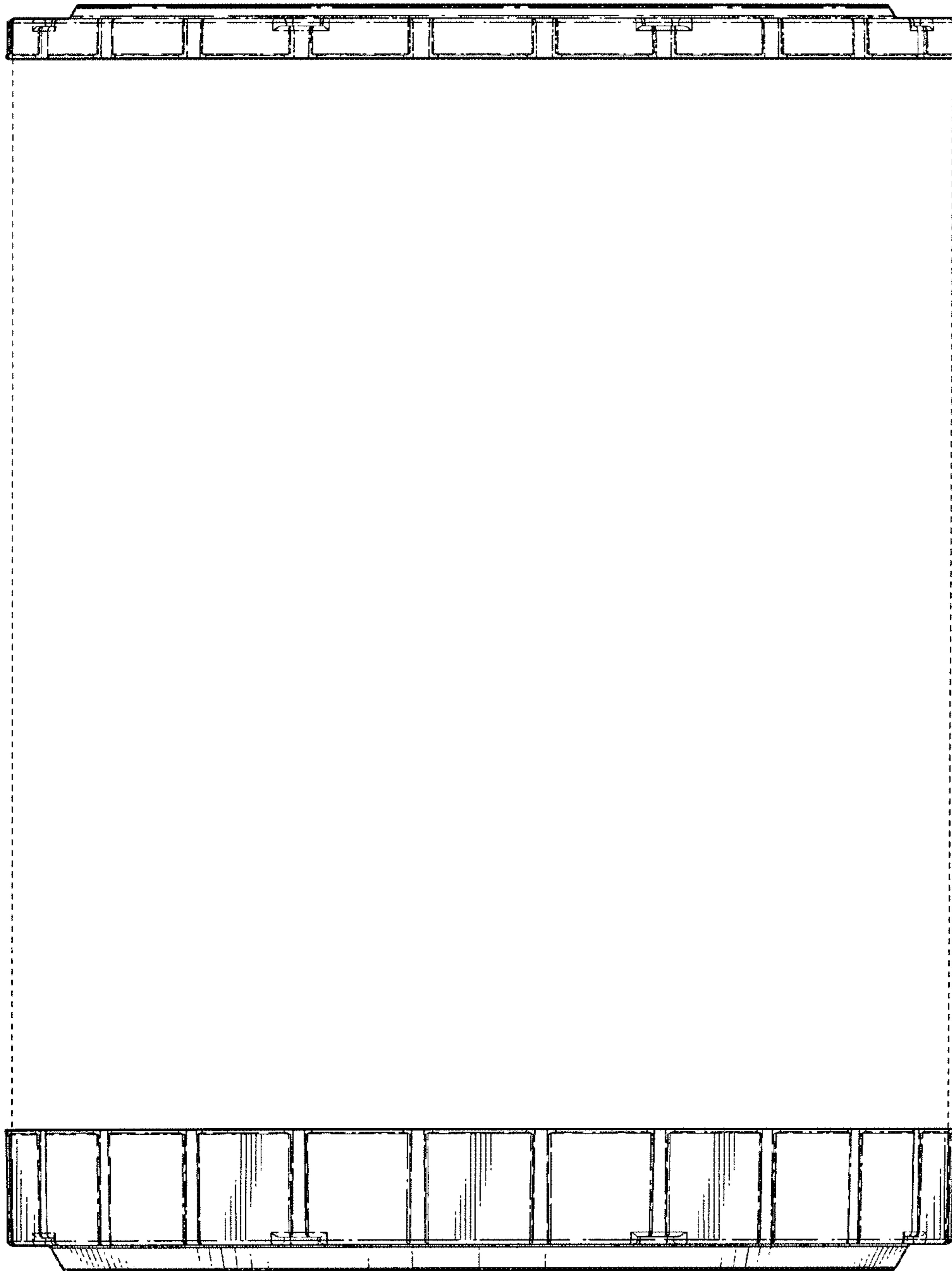


FIG. 4



FIG. 5

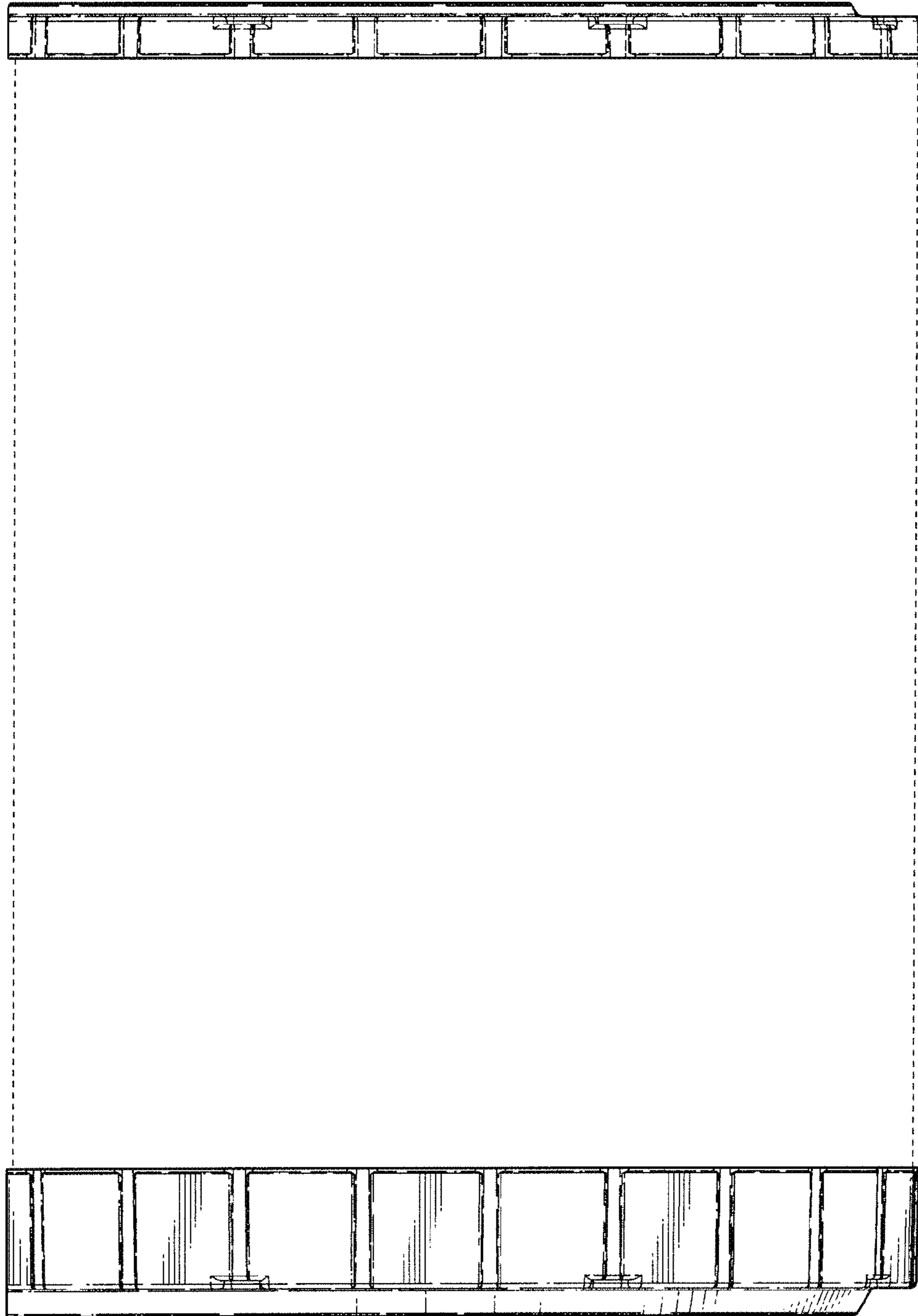


FIG. 6

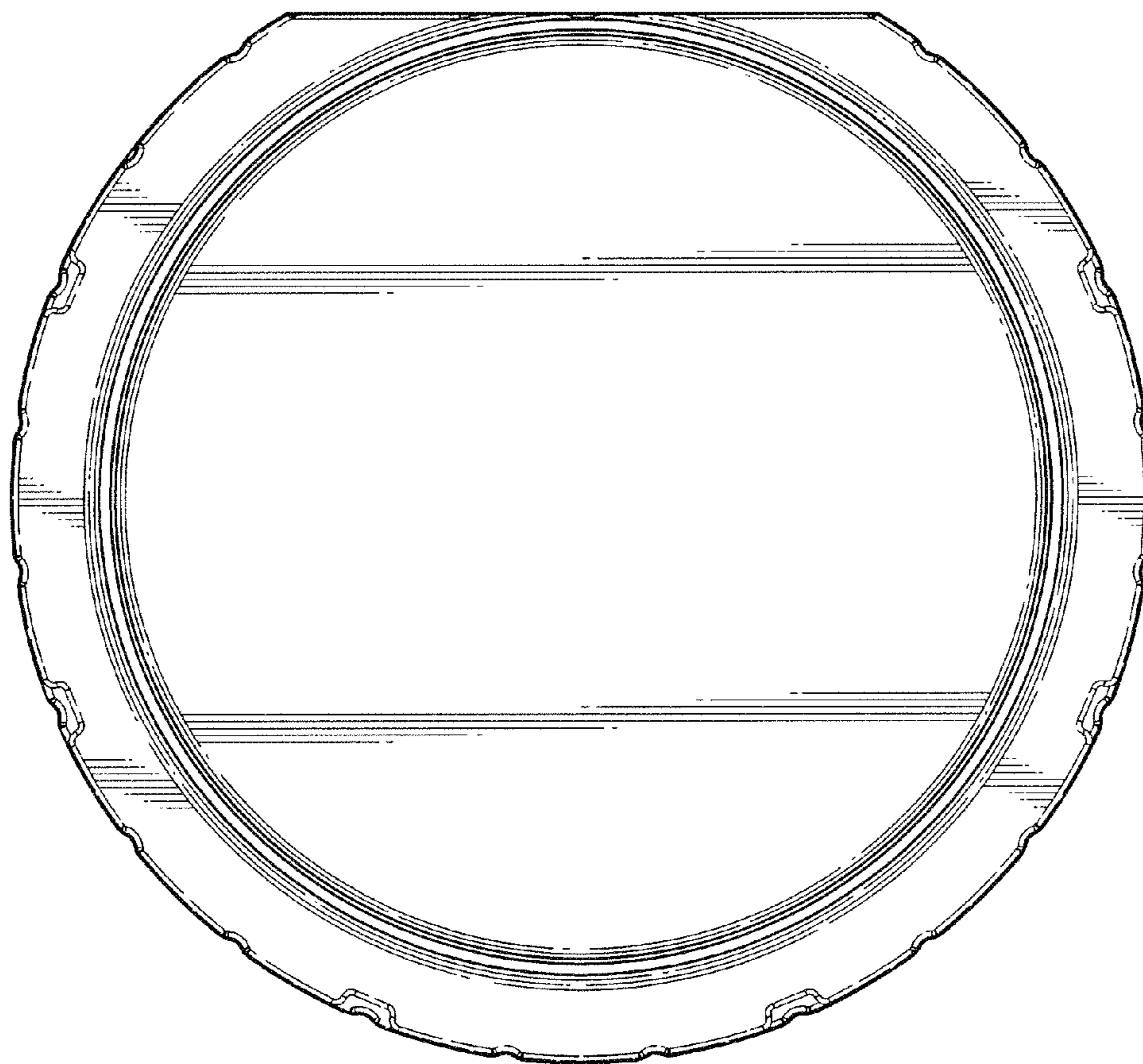


FIG. 7



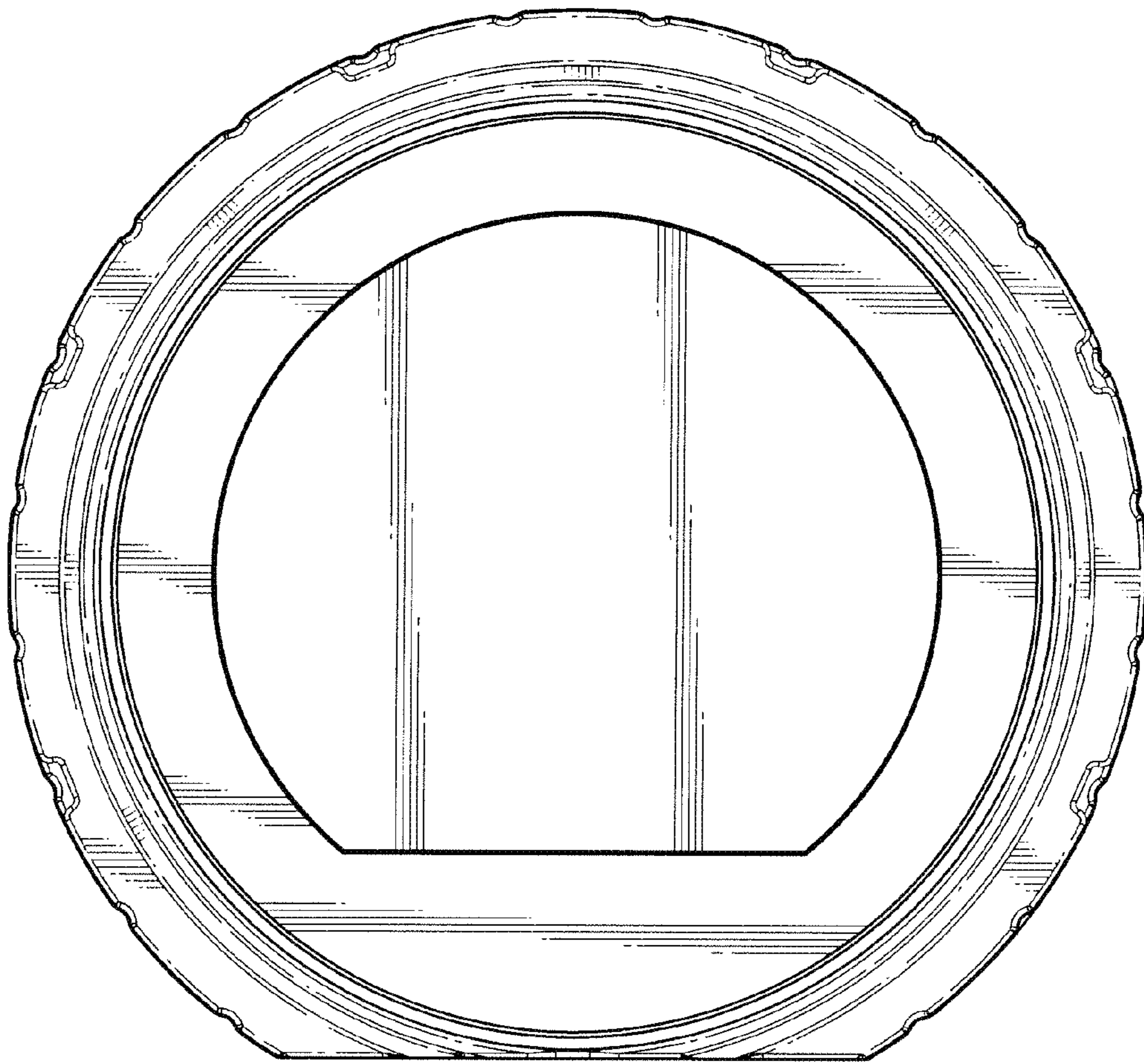


FIG. 8