



US00D765220S

(12) **United States Design Patent** (10) **Patent No.:** **US D765,220 S**
Boudreau et al. (45) **Date of Patent:** **** Aug. 30, 2016**

(54) **FILTER CARTRIDGE WITH FLANGE END**

(71) Applicant: **KX Technologies LLC**, West Haven, CT (US)

(72) Inventors: **Kelly Boudreau**, Lake Elmo, MN (US); **Keith D. Johnson**, Woodbury, MN (US); **Michael J. Sherman**, Woodbury, MN (US); **Frank A. Brigano**, Northford, CT (US); **Richard Kirchner**, Apple Valley, MN (US); **Paul A. Pilosi**, Minnetonka, MN (US); **Jason J. Ness**, Victoria, MN (US)

(73) Assignee: **KX Technologies LLC**, West Haven, CT (US)

(**) Term: **14 Years**

(21) Appl. No.: **29/514,957**

(22) Filed: **Jan. 19, 2015**

(51) **LOC (10) Cl.** **23-01**

(52) **U.S. Cl.**
USPC **D23/209**

(58) **Field of Classification Search**
USPC D23/207, 209; D7/400; 210/232, 282, 210/244, 238
CPC C02F 1/003; B01D 35/30
See application file for complete search history.

(56) **References Cited**

U.S. PATENT DOCUMENTS

2,558,987	A	7/1951	Shaw
3,430,824	A	3/1969	Connors et al.
4,181,243	A	1/1980	Frahm
4,491,520	A	1/1985	Jaye
4,714,550	A	12/1987	Malson et al.
4,787,973	A	11/1988	Ando et al.
4,995,975	A	2/1991	Jacquot et al.

D559,349	S	1/2008	Brown
D594,088	S	6/2009	Pritchard
7,762,429	B2	7/2010	Macler et al.
D643,508	S	8/2011	Wilkinson et al.
8,230,692	B2	7/2012	Moon et al.
8,377,292	B2	2/2013	Patera et al.

(Continued)

FOREIGN PATENT DOCUMENTS

EP	0861809	4/1995
EP	1028090	1/2000

(Continued)

Primary Examiner — Robin V Webster

(74) *Attorney, Agent, or Firm* — Robert Curcio; De Lio, Peterson & Curcio, LLC

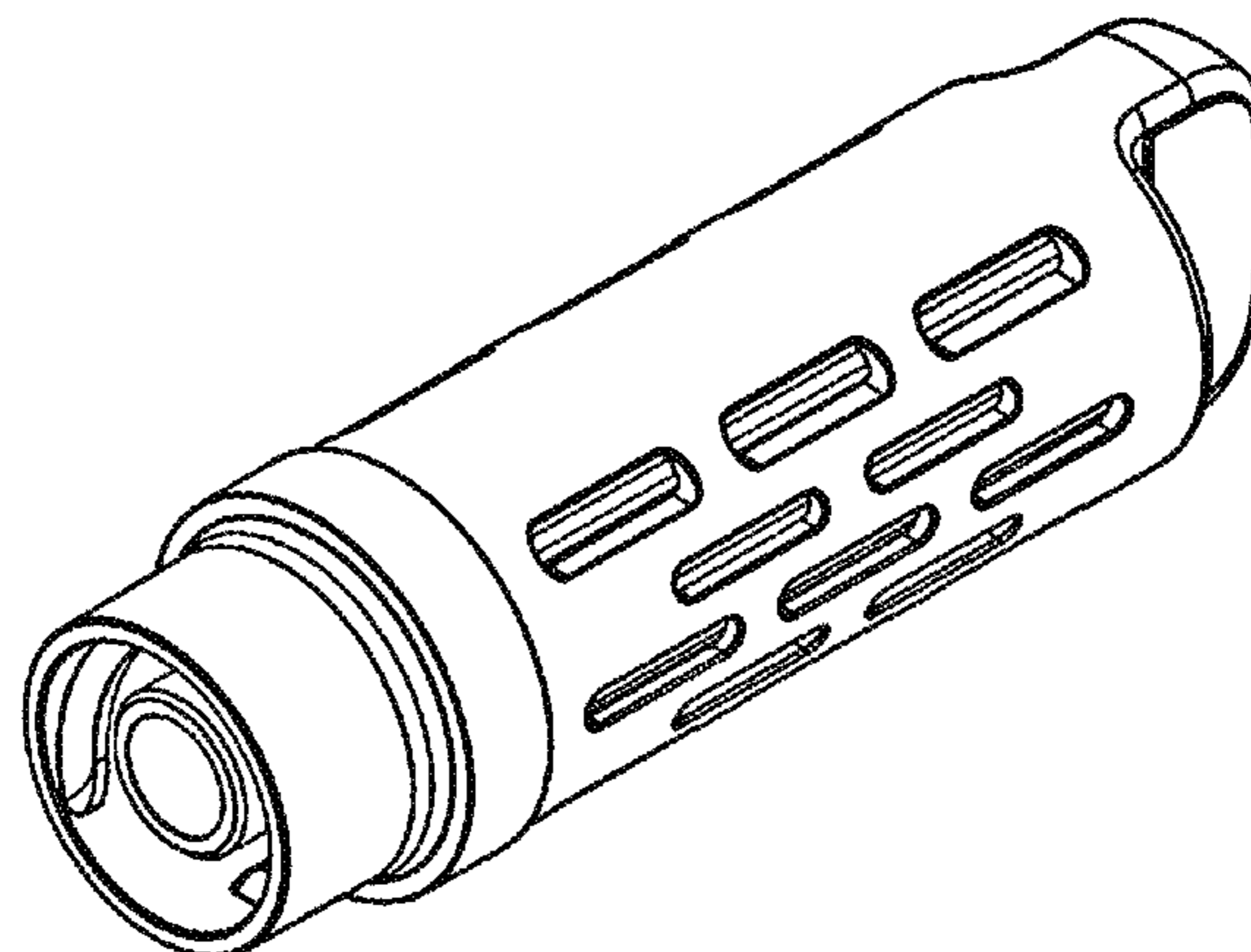
(57) **CLAIM**

The ornamental design for a filter cartridge with flange end, as shown and described.

DESCRIPTION

FIG. 1 is the front perspective view of the filter cartridge with flange end according to the present invention; FIG. 2 is the back perspective view of the filter cartridge with flange end of FIG. 1 according to the present invention; FIG. 3 is the left side view of the filter cartridge with flange end of FIG. 1 according to the present invention; FIG. 4 is the right side view of the filter cartridge with flange end of FIG. 1 according to the present invention; FIG. 5 is the top view of the filter cartridge with flange end of FIG. 1 according to the present invention; FIG. 6 is the bottom view of the filter cartridge with flange end of FIG. 1 according to the present invention; FIG. 7 is the front view of the filter cartridge with flange end of FIG. 1 according to the present invention; and, FIG. 8 is the back view of the filter cartridge with flange end of FIG. 1 according to the present invention.

1 Claim, 3 Drawing Sheets



(56)

References Cited

2013/0213877 A1 8/2013 Lin et al.

U.S. PATENT DOCUMENTS

8,388,841 B2	3/2013	Moretto
D686,296 S	7/2013	Melzer
D691,418 S	10/2013	Minton et al.
D729,343 S	5/2015	Melzer et al.
D747,140 S	1/2016	Roth et al.
2011/0284585 A1	11/2011	Stewart-Barnett
2013/0118972 A1	5/2013	Yui

FOREIGN PATENT DOCUMENTS

EP	1321428	12/2002
GB	2504501	2/2014
WO	WO 94 04245	3/1993
WO	WO 98 05401	2/1998
WO	WO 98 32705	7/1998
WO	WO 2012 130329	10/2012

FIG. 1

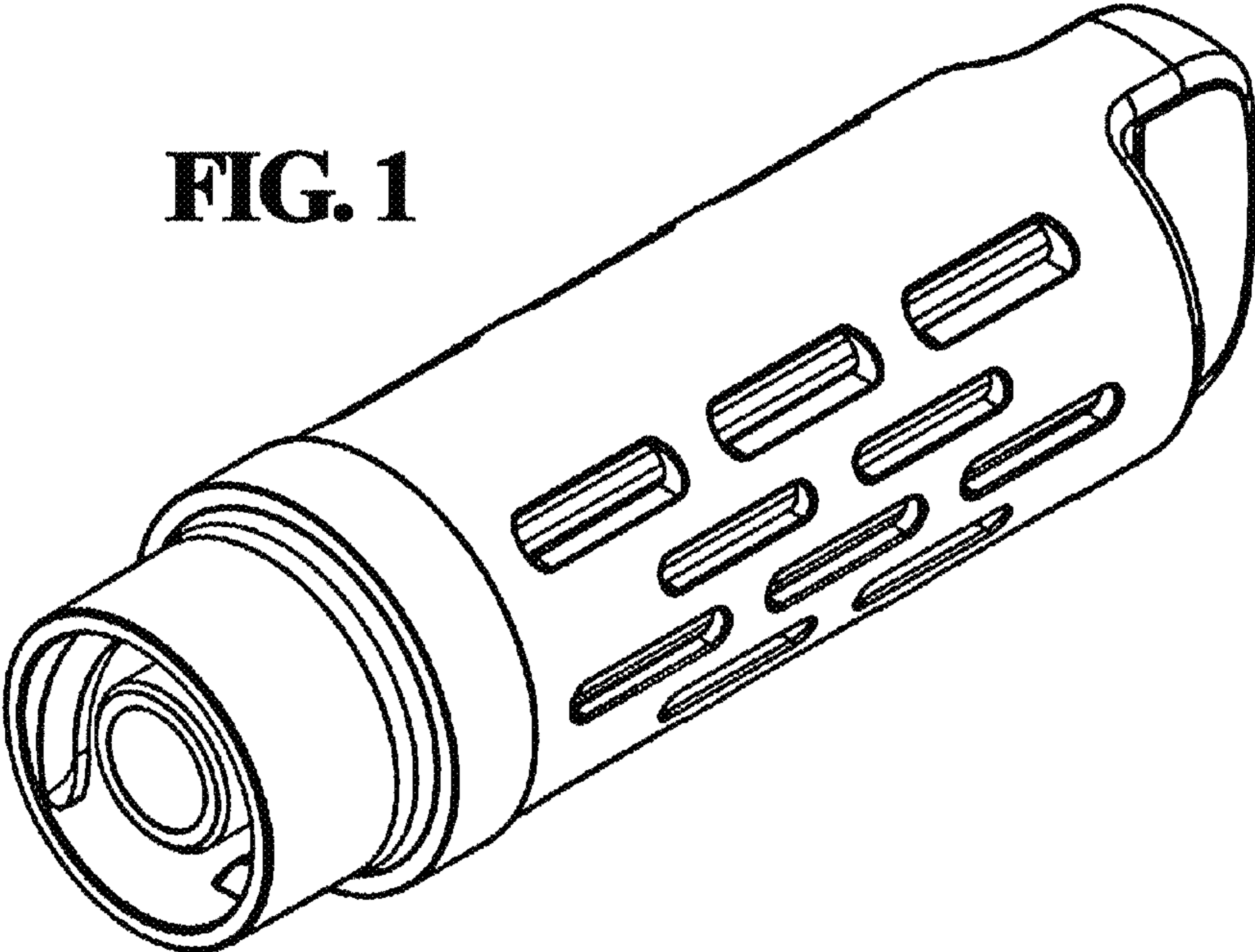
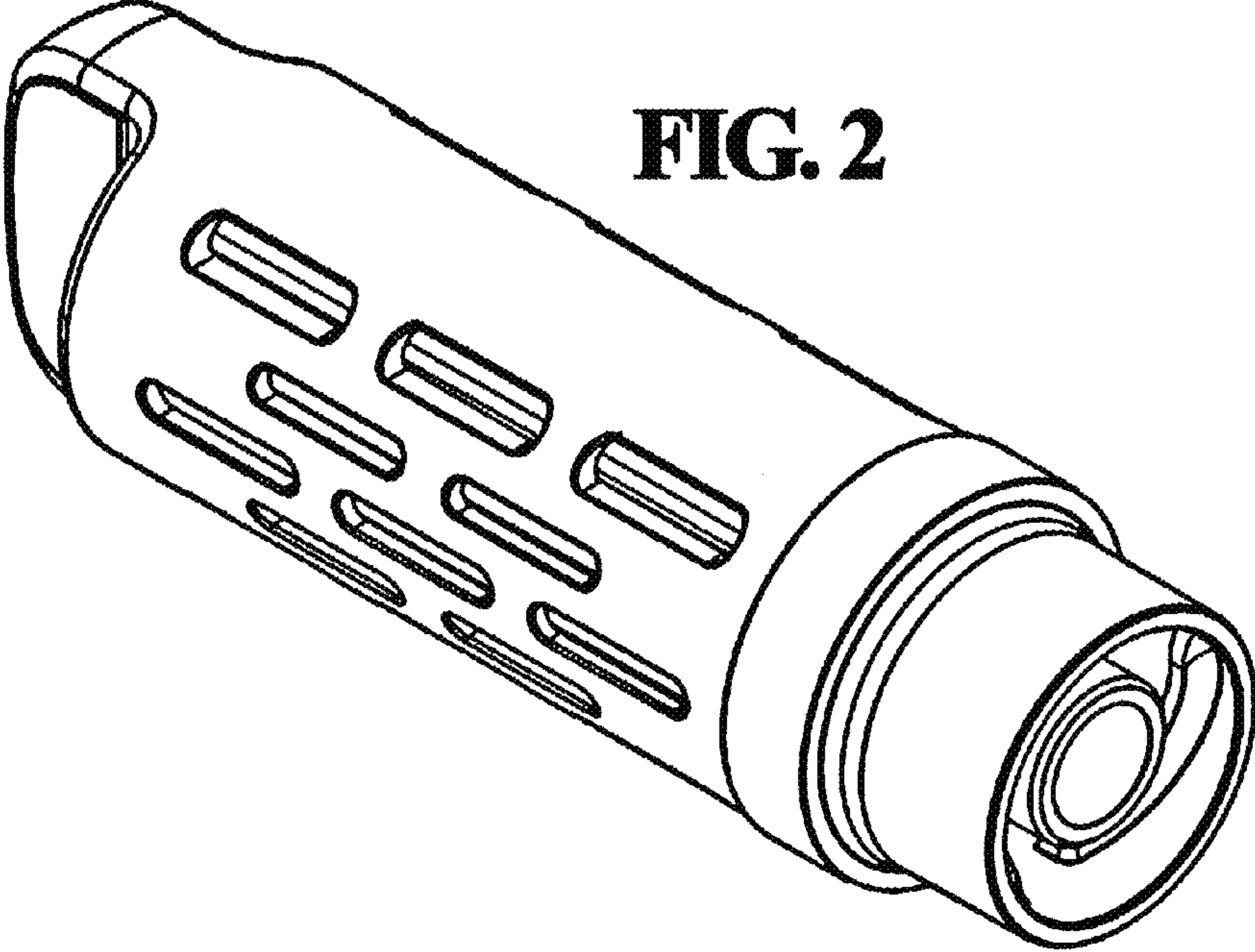


FIG. 2



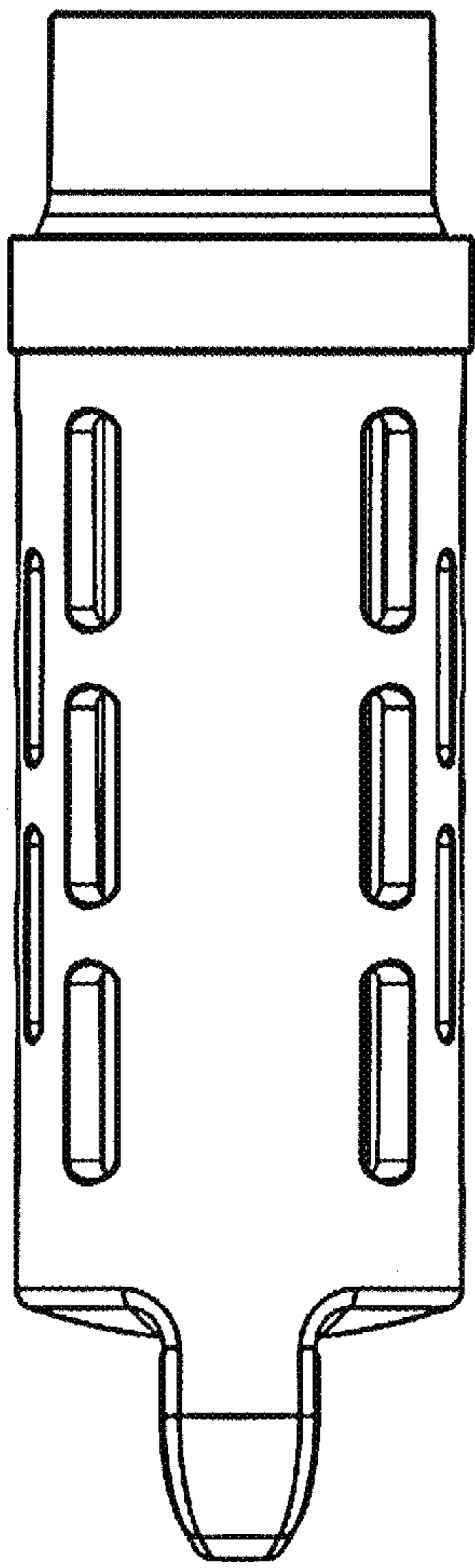


FIG. 3

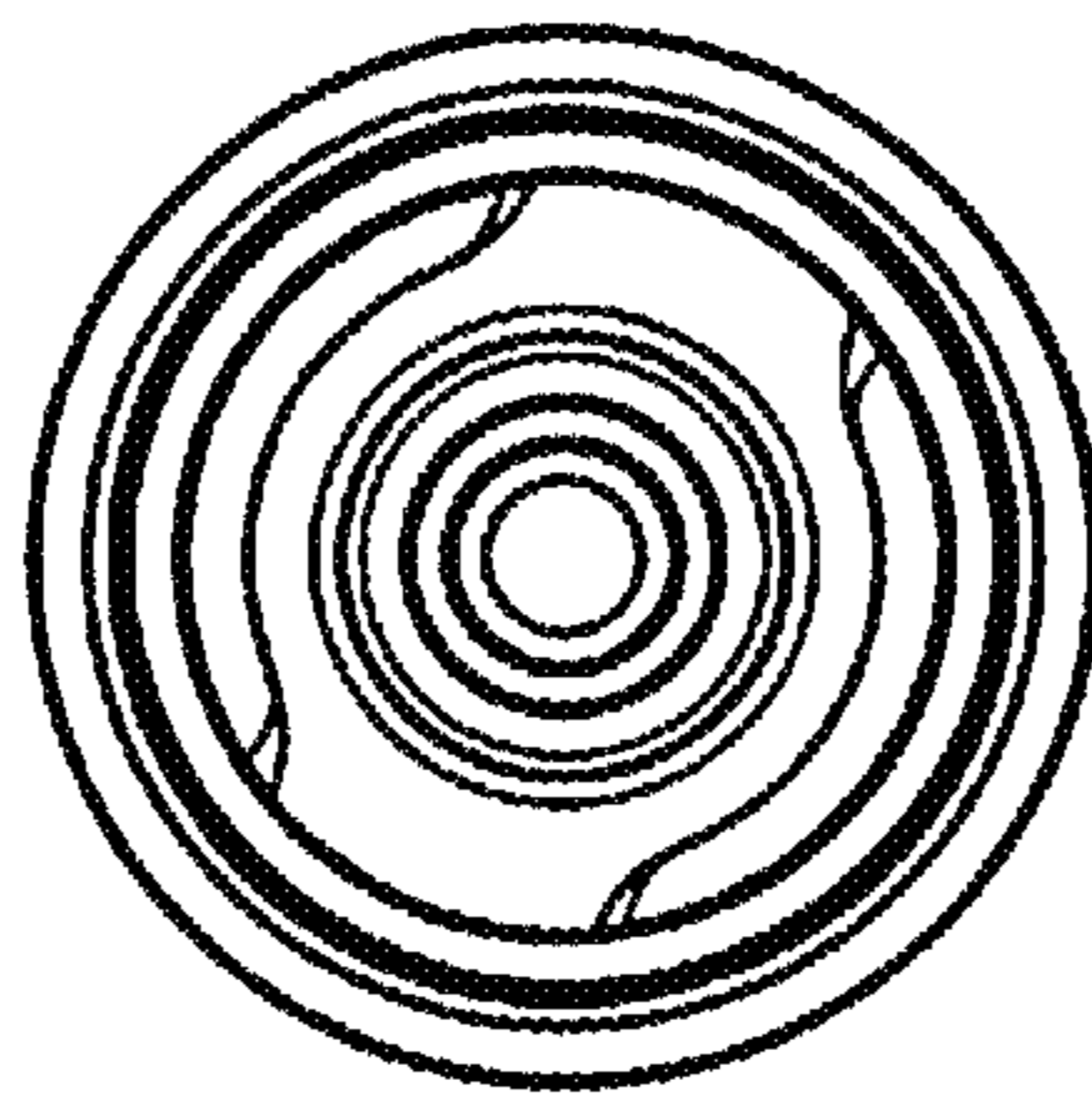


FIG. 5

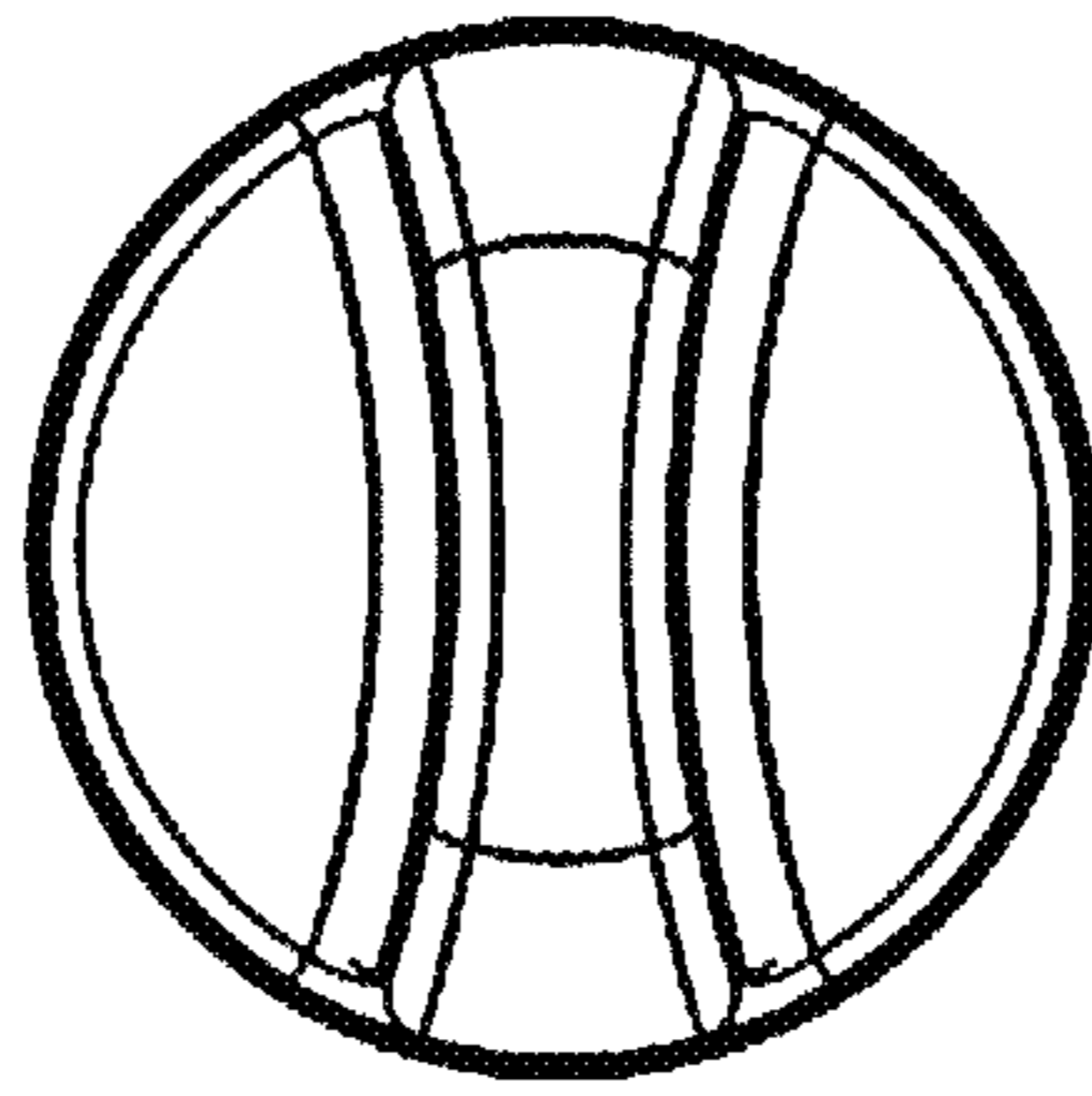


FIG. 6

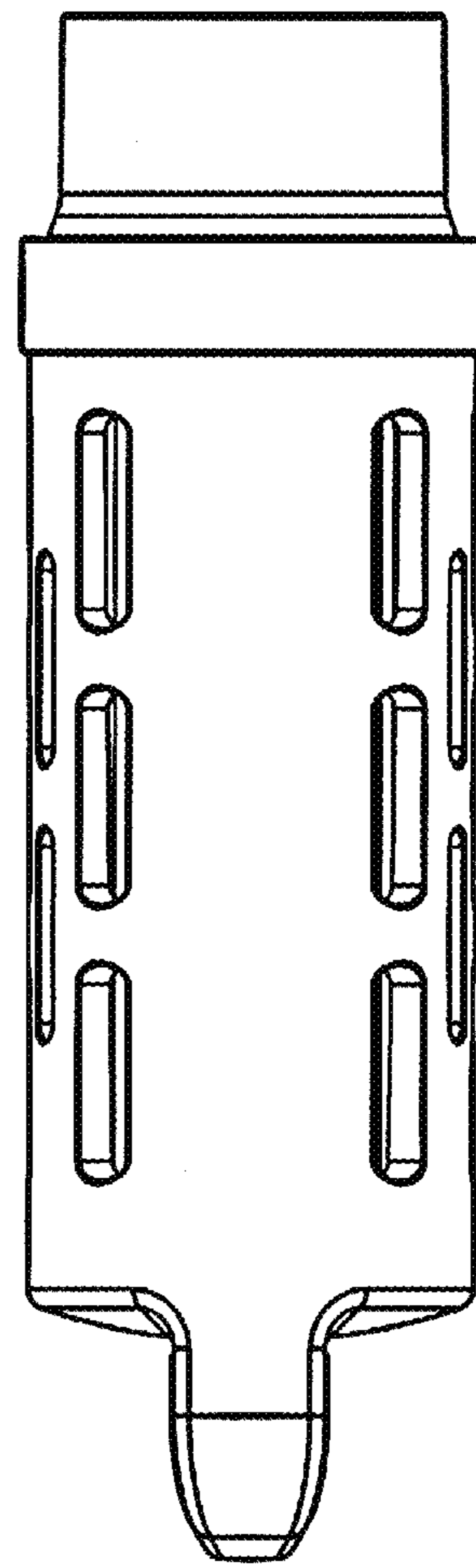


FIG. 4

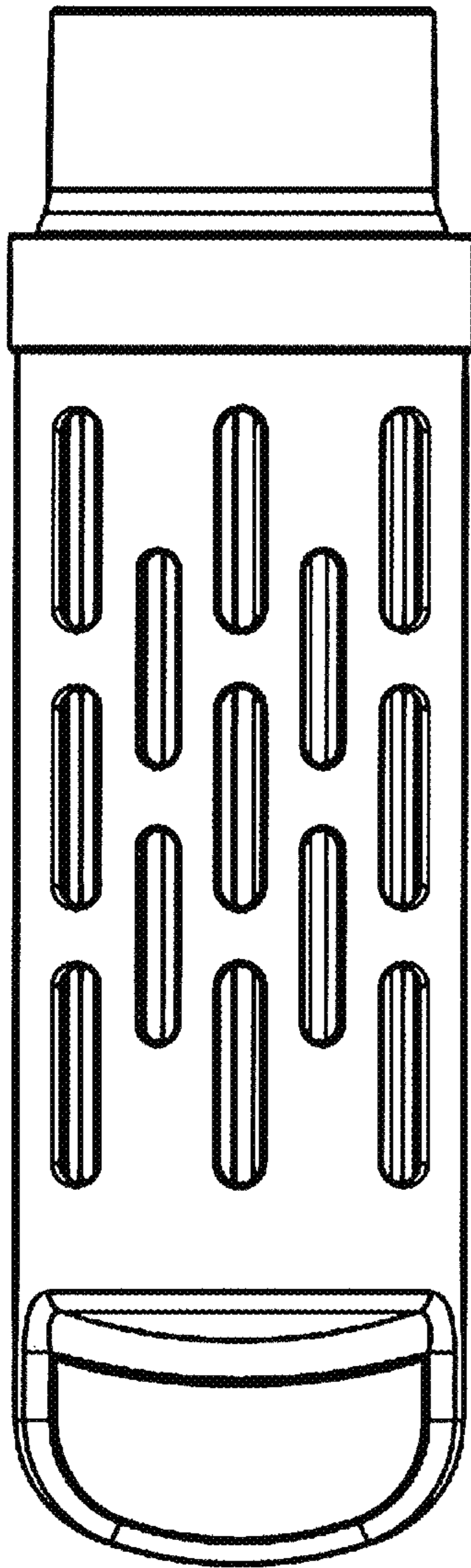


FIG. 7

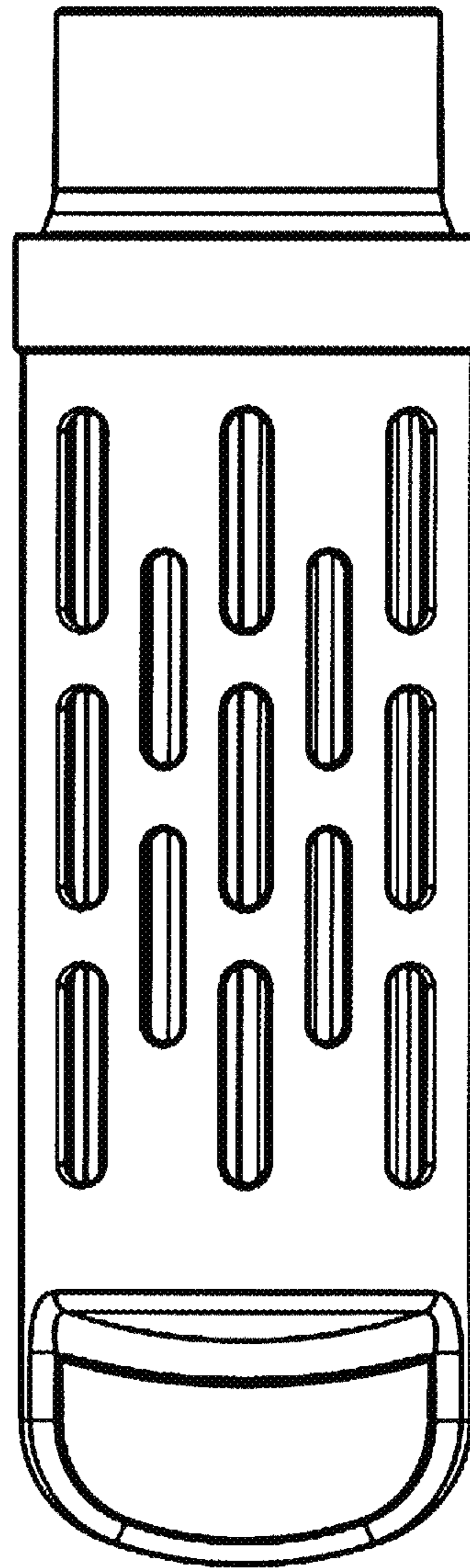


FIG. 8