



US00D765218S

(12) **United States Design Patent**  
**Hallan et al.**

(10) **Patent No.:** **US D765,218 S**

(45) **Date of Patent:** **\*\* Aug. 30, 2016**

(54) **FISHING LURE**

(71) Applicants: **Michael Dean Hallan**, Walla Walla, WA (US); **Brian Dean Burroughs**, Walla Walla, WA (US)

(72) Inventors: **Michael Dean Hallan**, Walla Walla, WA (US); **Brian Dean Burroughs**, Walla Walla, WA (US)

(\*\*) Term: **14 Years**

(21) Appl. No.: **29/522,505**

(22) Filed: **Mar. 31, 2015**

**Related U.S. Application Data**

(63) Continuation-in-part of application No. 13/705,236, filed on Dec. 5, 2012, now abandoned.

(51) **LOC (10) Cl.** ..... **22-05**

(52) **U.S. Cl.**  
USPC ..... **D22/129**

(58) **Field of Classification Search**  
USPC ..... D22/126-133; 43/42.5, 42.05, 42.06, 43/42.31, 45.51, 42.32, 42.33, 42.34, 43.1, 43/43.13, 42.39, 17.6

CPC ..... A01K 85/01  
See application file for complete search history.

(56) **References Cited**

**U.S. PATENT DOCUMENTS**

4,839,983 A \* 6/1989 Pippert ..... A01K 85/01  
43/17.6  
D435,628 S \* 12/2000 Lester ..... D22/129

D472,955 S \* 4/2003 Hyneman ..... D22/129  
D495,396 S \* 8/2004 Yamaguchi ..... D22/129  
D521,103 S \* 5/2006 Franco ..... D22/129  
D637,685 S \* 5/2011 Pruitt ..... D22/129  
D678,460 S \* 3/2013 Pool ..... D22/129

\* cited by examiner

*Primary Examiner* — Catheri Oliver-Garcia

(74) *Attorney, Agent, or Firm* — Global Intellectual Property Agency, LLC; Daniel Boudwin

(57) **CLAIM**

The ornamental design for a fishing lure, as shown and described.

**DESCRIPTION**

FIG. 1 shows a perspective view of the fishing lure of the present invention.

FIG. 2 shows a front view of the fishing lure of the present invention.

FIG. 3 shows a rear view of the fishing lure of the present invention.

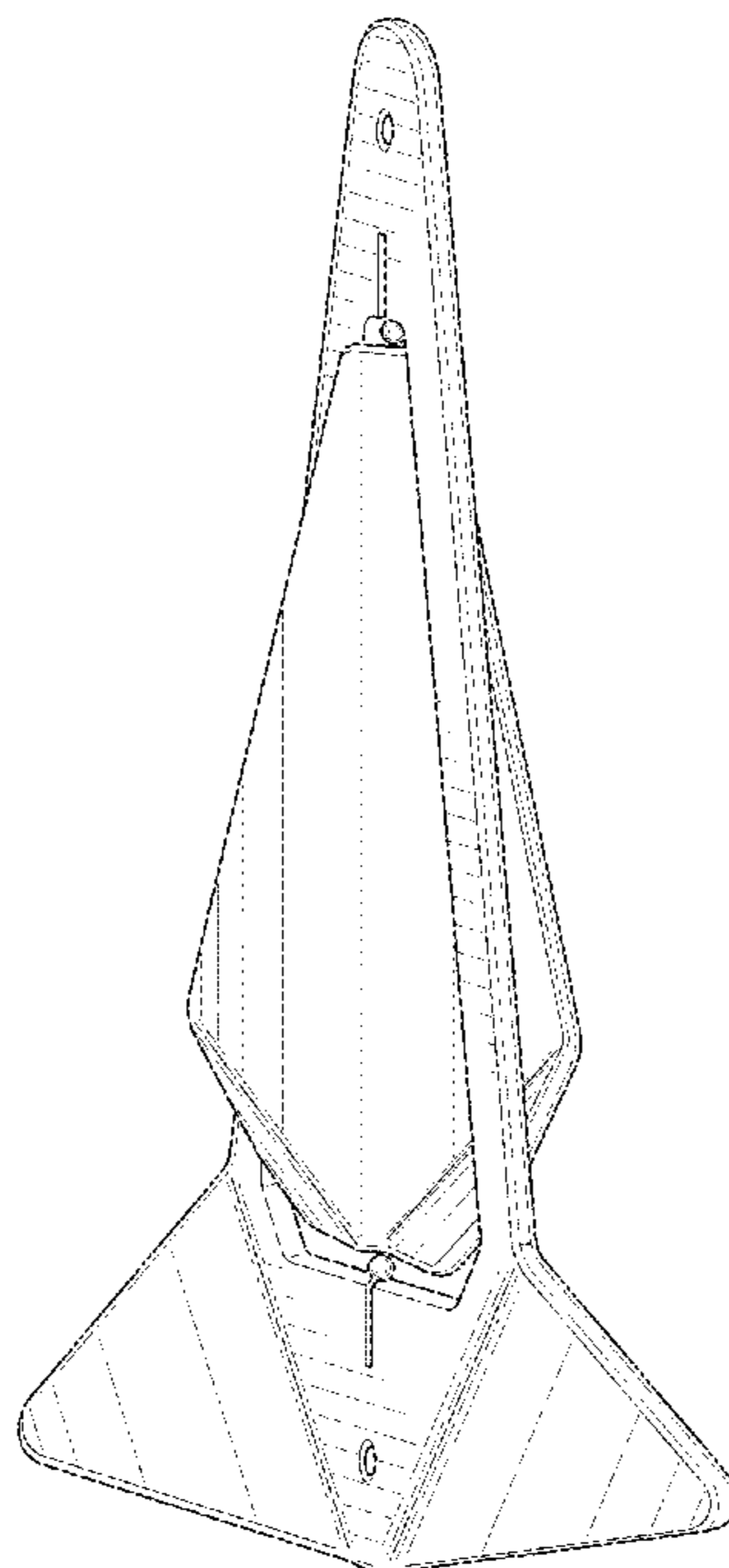
FIG. 4 shows a first side view of the fishing lure of the present invention.

FIG. 5 shows a second side view of the fishing lure of the present invention.

FIG. 6 shows an top view of the fishing lure of the present invention; and,

FIG. 7 shows an bottom view of the fishing lure of the present invention.

**1 Claim, 5 Drawing Sheets**



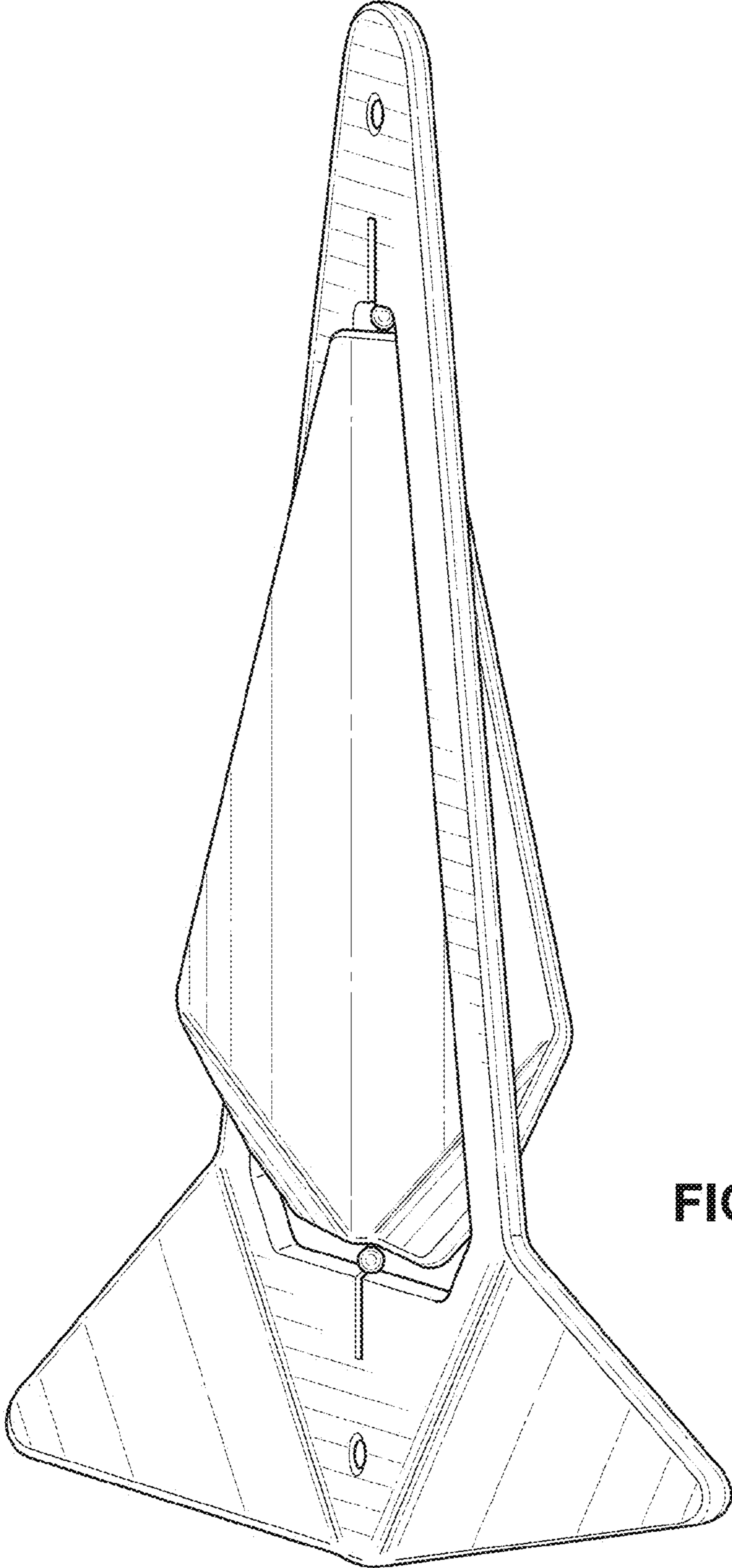


FIG. 1

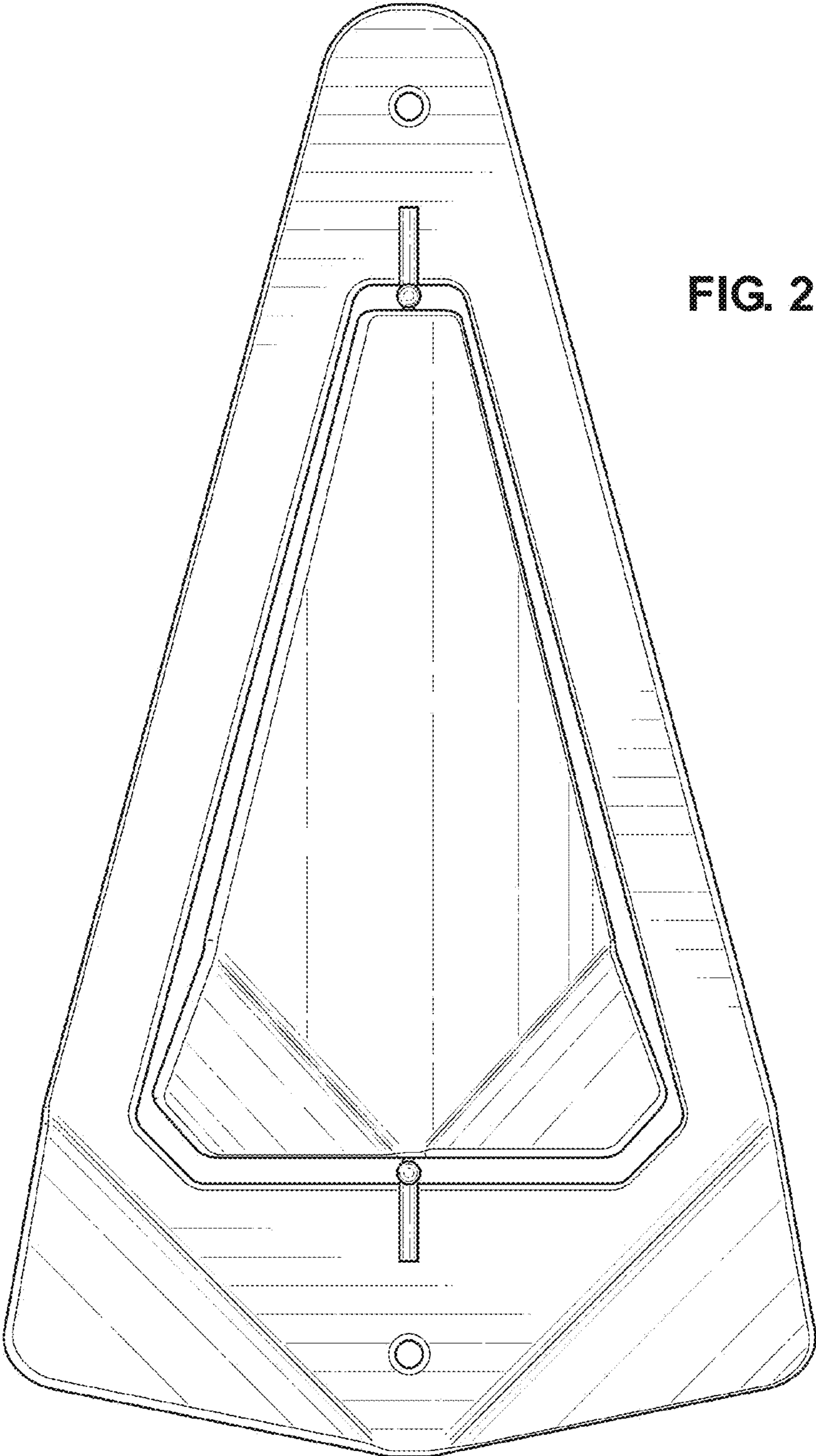


FIG. 2

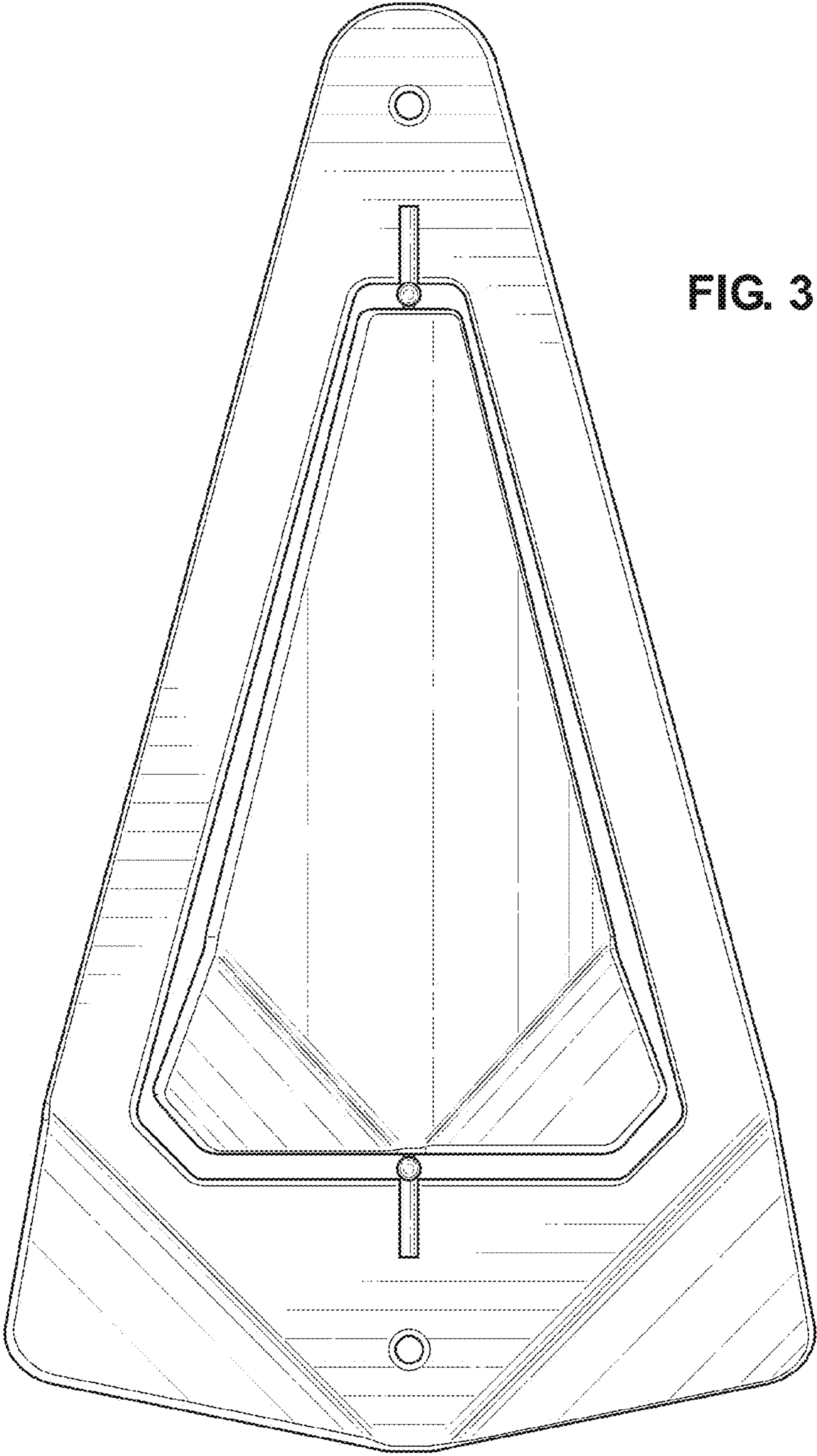


FIG. 3



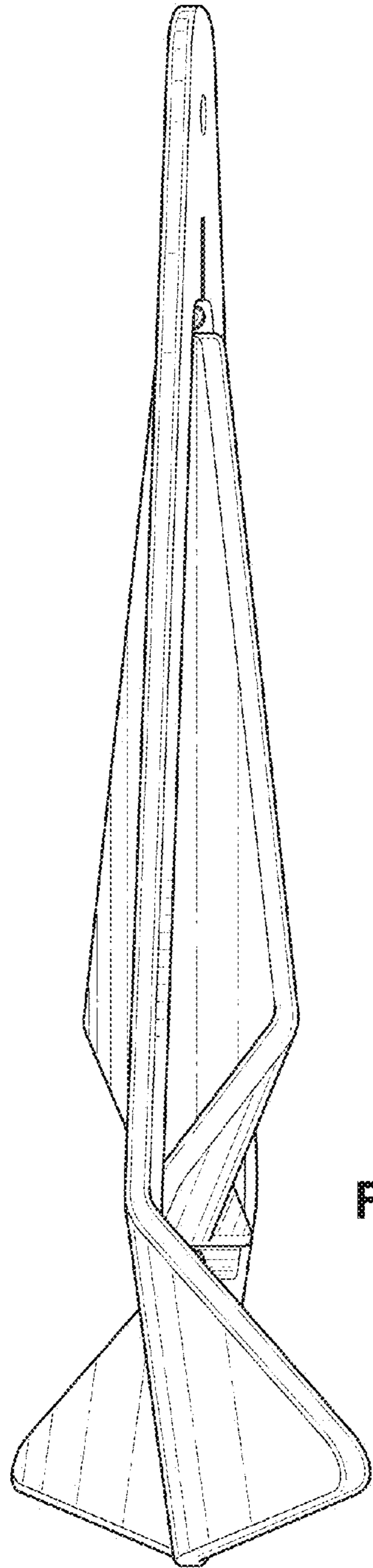


FIG. 4

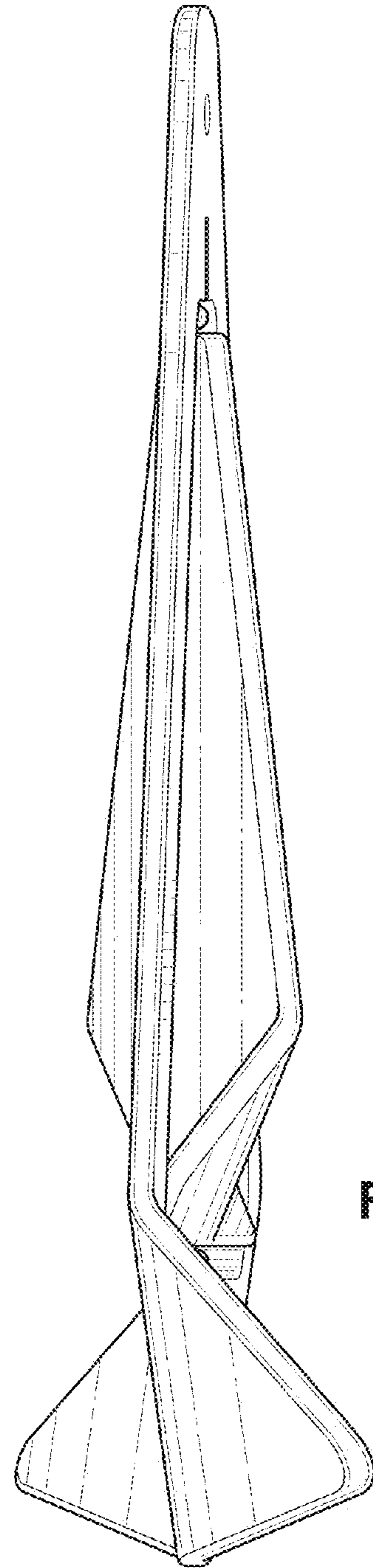


FIG. 5

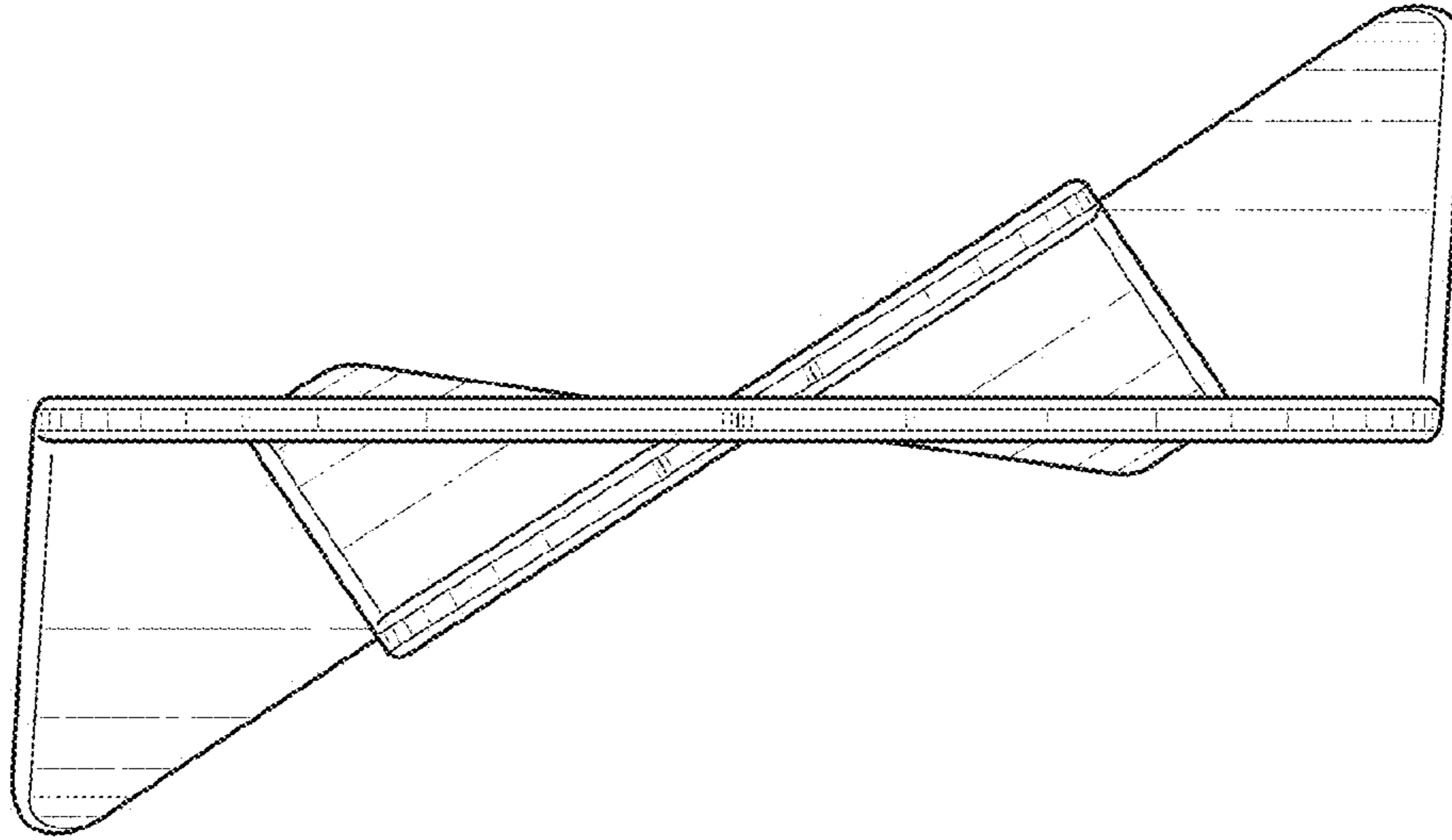


FIG. 6

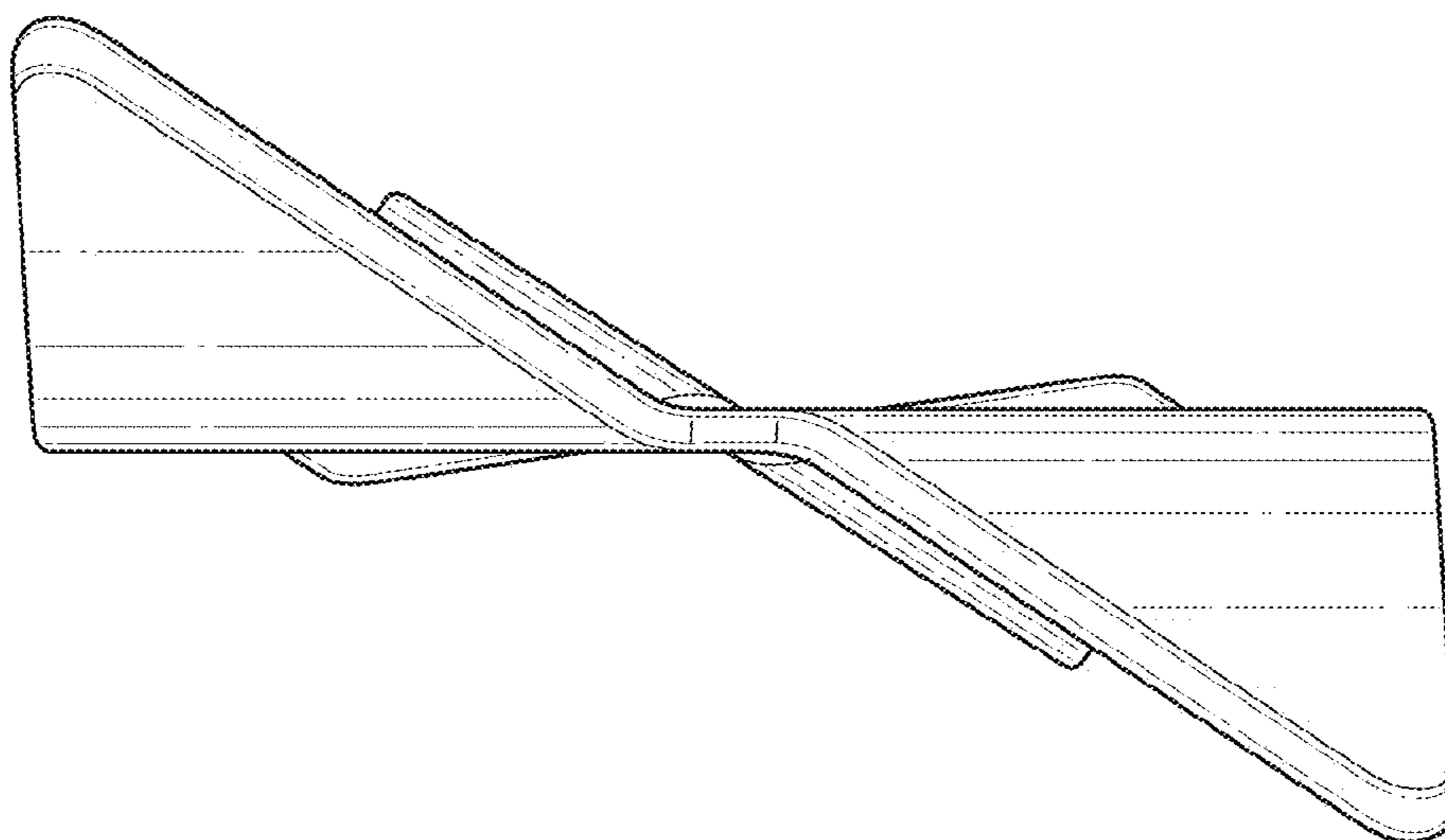


FIG. 7