



US00D765214S

(12) **United States Design Patent** (10) **Patent No.:** **US D765,214 S**
Padgett (45) **Date of Patent:** **** Aug. 30, 2016**

- (54) **RADIUSED INSERT**
- (71) Applicant: **PCP Tactical, LLC**, Vero Beach, FL (US)
- (72) Inventor: **Charles Padgett**, Vero Beach, FL (US)
- (73) Assignee: **PCP TACTICAL, LLC**, Vero Beach, FL (US)
- (**) Term: **14 Years**
- (21) Appl. No.: **29/499,958**
- (22) Filed: **Aug. 20, 2014**

- 2,379,510 A 7/1945 Ewart
- 2,395,460 A 2/1946 Carten
- 2,401,050 A 5/1946 Cooper et al.
- 2,402,068 A 6/1946 Meador
- 2,435,590 A 2/1948 Holroyd

(Continued)

FOREIGN PATENT DOCUMENTS

- DE 11 13 880 9/1961
- DE 2205619 A1 8/1972

(Continued)

OTHER PUBLICATIONS

European Search Report dated Jul. 28, 2014, which issued during prosecution of European Application No. 14161657.3, which corresponds to the present application.

(Continued)

Primary Examiner — Michael A Pratt
(74) *Attorney, Agent, or Firm* — Troutman Sanders LLP

Related U.S. Application Data

- (60) Division of application No. 29/449,058, filed on Mar. 14, 2013, now Pat. No. Des. 715,888, which is a continuation-in-part of application No. 13/350,607, filed on Jan. 13, 2012, now Pat. No. 8,443,730.
- (51) **LOC (10) Cl.** **22-03**
- (52) **U.S. Cl.**
USPC **D22/115**
- (58) **Field of Classification Search**
USPC D22/115–116
CPC F42B 5/025; F42B 5/30; F42B 12/58;
F42B 14/00; F42B 8/02
See application file for complete search history.

(57) **CLAIM**

The ornamental design for a radiused insert, substantially shown and described herein.

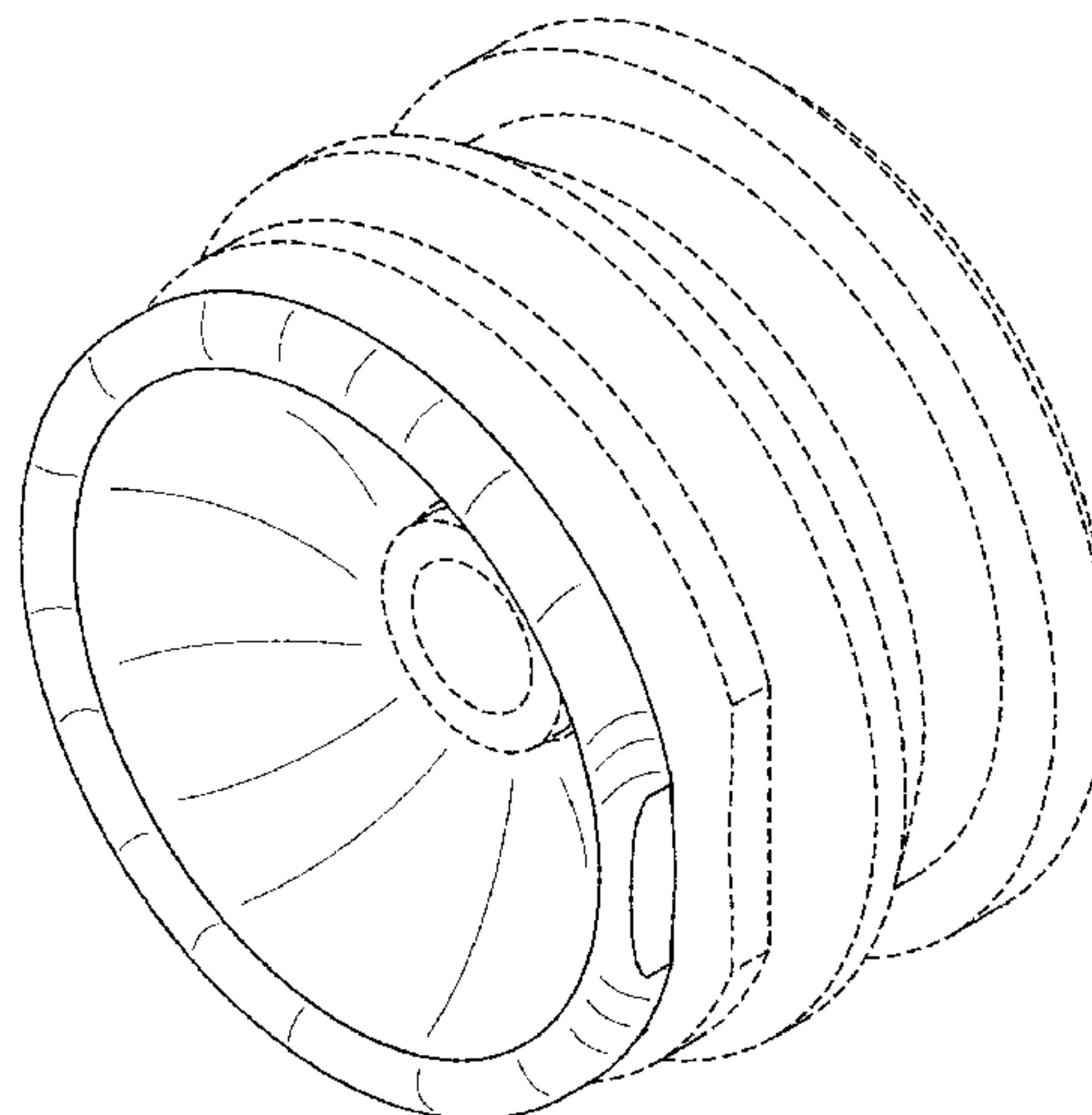
DESCRIPTION

FIG. 1 is a front, top, right perspective view of a second example of the radiused insert of the new design; FIG. 2 is a top plan view thereof; FIG. 3 is a cross-sectional view along line 3-3 of FIG. 2; FIG. 4 is a left side view thereof, the right side being a mirror image thereof; FIG. 5 is a front side view thereof; and, FIG. 6 is a bottom plan view thereof. The broken line showing of environment in the drawings is for illustrative purposes only and forms no part of the claimed design.

1 Claim, 3 Drawing Sheets

(56) **References Cited**
U.S. PATENT DOCUMENTS

- 692,819 A 2/1902 Bissel
- 827,600 A 7/1906 Bailey
- 1,118,888 A 11/1914 Butler
- 1,233,071 A 7/1917 Lindquist
- 2,022,685 A 12/1935 Moore
- 2,263,941 A 11/1941 George
- 2,294,822 A 9/1942 George
- 2,366,887 A 1/1945 Warren



US D765,214 S

(56)

References Cited

	U.S. PATENT DOCUMENTS				
		5,492,063 A	2/1996	Dittrich	
		5,507,232 A	4/1996	Valdez	
		5,563,365 A *	10/1996	Dineen F42B 5/181 102/430	
2,455,080 A	11/1948	Miller et al.	5,616,642 A	4/1997	West et al.
2,481,726 A	9/1949	Muschamp	5,653,563 A	8/1997	Ernst et al.
2,648,258 A	8/1953	Simpson	5,677,505 A	10/1997	Dittrich
2,654,319 A	10/1953	Roske	5,703,322 A	12/1997	Tidman
2,862,446 A	8/1955	Ringdal	5,708,231 A	1/1998	Koon
2,915,947 A	12/1959	Heeley	5,770,815 A	6/1998	Watson
2,918,868 A	12/1959	Ringdal	5,822,904 A	10/1998	Beal
2,995,090 A	8/1961	Daubenspeck	5,893,959 A	4/1999	Muelligh
3,078,765 A	2/1963	Falcone et al.	5,969,288 A	10/1999	Baud
3,099,958 A *	8/1963	Daubenspeck F42B 5/307 102/449	6,048,379 A	4/2000	Bray et al.
3,123,003 A	3/1964	Lange, Jr. et al.	6,074,454 A	6/2000	Abrams et al.
3,144,827 A	8/1964	Boutwell et al.	6,101,949 A	8/2000	Maucourt et al.
3,333,506 A	8/1967	Henshaw et al.	6,131,519 A	10/2000	Thiesen et al.
3,336,871 A	8/1967	Quinlan	6,257,149 B1	7/2001	Cesaroni
3,485,170 A	12/1969	Scanlon	6,283,035 B1	9/2001	Olson et al.
3,609,904 A	10/1971	Scanlon	6,367,386 B1	4/2002	Brede et al.
3,650,176 A	3/1972	Lindner	6,439,123 B1	8/2002	Dionne et al.
3,659,528 A	5/1972	Santala	6,523,476 B1	2/2003	Riess et al.
3,706,260 A	12/1972	Rausing	6,539,874 B2	4/2003	Weise
3,726,218 A	4/1973	Austin, Jr.	6,584,909 B2	7/2003	Brede et al.
3,745,924 A	7/1973	Scanlon	6,598,536 B2	7/2003	Burri
3,749,020 A	7/1973	Weyhmuller	6,600,002 B2	7/2003	Sanderson et al.
3,749,023 A	7/1973	Kawaguchi et al.	6,748,870 B2	6/2004	Heidenreich et al.
3,785,293 A	1/1974	Barr	6,752,084 B1	6/2004	Husseini et al.
3,797,396 A	3/1974	Reed	6,832,557 B2	12/2004	Torsten
3,808,974 A	5/1974	Herter	6,845,716 B2	1/2005	Husseini et al.
3,818,834 A	6/1974	Baumgartener	6,862,993 B1	3/2005	Cudazzo
3,830,157 A	8/1974	Donnard et al.	6,886,467 B1	5/2005	Haeselich
3,842,739 A	10/1974	Scanlon et al.	7,032,492 B2	4/2006	Meshirer
3,855,686 A	12/1974	Snyder	7,059,234 B2	6/2006	Husseini
3,874,294 A	4/1975	Hale	7,165,496 B2	1/2007	Reynolds
3,913,445 A	10/1975	Grandy	7,204,191 B2	4/2007	Wiley et al.
3,935,816 A	2/1976	Boquette, Jr.	7,213,519 B2	5/2007	Wiley et al.
3,955,506 A	5/1976	Luther et al.	7,231,519 B2	6/2007	Joseph et al.
3,977,326 A	8/1976	Anderson et al.	7,406,908 B1	8/2008	Goon et al.
3,983,990 A	10/1976	Gardy et al.	7,441,504 B2	10/2008	Husseini et al.
3,990,366 A	11/1976	Scanlon	7,610,858 B2	11/2009	Chung
3,999,482 A	12/1976	Bilek	7,938,067 B2	5/2011	Dindl
4,004,491 A	1/1977	Seeling	8,087,359 B2	1/2012	Sauvestre
4,147,107 A	4/1979	Ringdal	8,146,281 B2	4/2012	Zimmerman
4,165,943 A	8/1979	Beach et al.	8,151,683 B2	4/2012	Dick et al.
4,173,186 A	11/1979	Dunham	8,240,252 B2	8/2012	Maljkovic et al.
4,187,271 A	2/1980	Rolston et al.	8,342,072 B2	1/2013	Abbott
4,359,925 A	11/1982	Abet et al.	8,443,730 B2	5/2013	Padgett
4,469,027 A	9/1984	Burns et al.	D715,888 S *	10/2014	Padgett D22/115
4,474,102 A	10/1984	Tassie	2003/0019385 A1	1/2003	Leasure et al.
4,498,396 A	2/1985	Berube	2003/0167952 A1	9/2003	Heidenreich et al.
4,546,704 A	10/1985	Ballreich et al.	2003/0172775 A1	9/2003	Amick
4,553,479 A	11/1985	Willoughby	2004/0011237 A1	1/2004	Khvichia et al.
4,562,768 A	1/1986	Weinfurth et al.	2004/0237827 A1	12/2004	Smalley, Jr. et al.
H61 H	5/1986	Yuhash et al.	2005/0188879 A1	9/2005	Wiley et al.
4,620,485 A	11/1986	Bertiller	2005/0188883 A1	9/2005	Husseini et al.
4,683,170 A	7/1987	Tse et al.	2005/0257711 A1	11/2005	Husseini et al.
4,697,523 A	10/1987	Saxby	2006/0011087 A1	1/2006	Husseini et al.
4,719,859 A	1/1988	Ballreich et al.	2006/0102041 A1	5/2006	Wiley et al.
4,726,296 A *	2/1988	Leshner F42B 5/307 102/430	2006/0207464 A1	9/2006	Maljkovic et al.
4,738,202 A	4/1988	Hebert	2007/0214992 A1	9/2007	Dittrich
4,790,231 A	12/1988	Stoner	2007/0261587 A1	11/2007	Chung
4,803,926 A	2/1989	Barton et al.	2008/0245219 A1	10/2008	Moucheboeuf et al.
4,809,612 A	3/1989	Ballreich et al.	2009/0044717 A1	2/2009	Husseini et al.
4,841,837 A	6/1989	Novet	2009/0151710 A1	6/2009	Zimmerman
4,867,065 A	9/1989	Kaltman et al.	2009/0249947 A1	10/2009	Coiffet et al.
5,033,386 A	7/1991	Vatsvog	2010/0056687 A1	3/2010	Diakoumakos et al.
5,063,853 A	11/1991	Bilgeri	2010/0275804 A1	11/2010	Trivette
5,151,555 A	9/1992	Vatsvog	2010/0282112 A1	11/2010	Battaglia
5,165,040 A	11/1992	Andersson et al.	2010/0305261 A1	12/2010	Maljkovic et al.
5,233,928 A	8/1993	Ducros et al.	2011/0000391 A1	1/2011	Heitmann
5,237,930 A	8/1993	Belanger et al.	2011/0179965 A1	7/2011	Mason
5,259,288 A	11/1993	Vatsvog	2011/0214583 A1	9/2011	Dutch
5,259,319 A	11/1993	Dravecky et al.	2011/0252999 A1	10/2011	Carlson et al.
5,277,119 A	1/1994	Ricco	2011/0290143 A1	12/2011	Heitmann et al.
5,359,937 A	11/1994	Dittrich	2012/0024183 A1	2/2012	Klein
5,460,096 A	10/1995	Kothe	2012/0060716 A1	3/2012	Davies et al.
			2012/0111219 A1	5/2012	Burrow
			2012/0144712 A1	6/2012	Rostocil

(56)

References Cited

U.S. PATENT DOCUMENTS

2012/0174813 A1 7/2012 Battaglia
 2012/0180687 A1 7/2012 Padgett
 2012/0180688 A1 7/2012 Padgett
 2012/0318128 A1 12/2012 Gotie
 2013/0014664 A1 1/2013 Padgett
 2013/0025490 A1 1/2013 Burczynski
 2013/0186294 A1 7/2013 Davies et al.
 2014/0060372 A1 3/2014 Padgett
 2014/0069290 A1 3/2014 Padgett et al.
 2014/0373744 A1* 12/2014 Padgett F42B 5/313
 102/466

FOREIGN PATENT DOCUMENTS

DE 3344369 A1 6/1985
 EP 0096617 12/1983
 EP 0444545 A1 9/1991
 EP 0526317 A1 2/1993
 FR 1081764 A 12/1954
 GB 2092274 8/1982
 WO WO 88/09476 A1 12/1988
 WO WO 95/13516 A1 5/1995

WO 03/036222 5/2003
 WO 2005/022072 3/2005
 WO WO 2006/094987 9/2006
 WO WO 2010/129781 11/2010
 WO WO 2012/047615 A1 4/2012
 WO WO 2012/097317 A2 7/2012
 WO WO 2012/097317 A3 7/2012
 WO WO 2012/097320 A1 7/2012

OTHER PUBLICATIONS

Chung, Jerry S., "Alternative Cartridge Case Material and Design",
 Armament Research, Development and Engineering Center Technical Report ARAEW-TR-05007, May 2005.
 File history of U.S. Appl. No. 61/456,664, which corresponds to US 2012/0111219.
 International Search Report, dated Aug. 24, 2012, which issued during the prosecution of International Patent Application No. PCT/US2012/021345.
 International Search Report, dated May 23, 2012, which issued during the prosecution of International Patent Application No. PCT/US2012/021350.
 European Search Report dated May 15, 2014.

* cited by examiner

FIG. 1

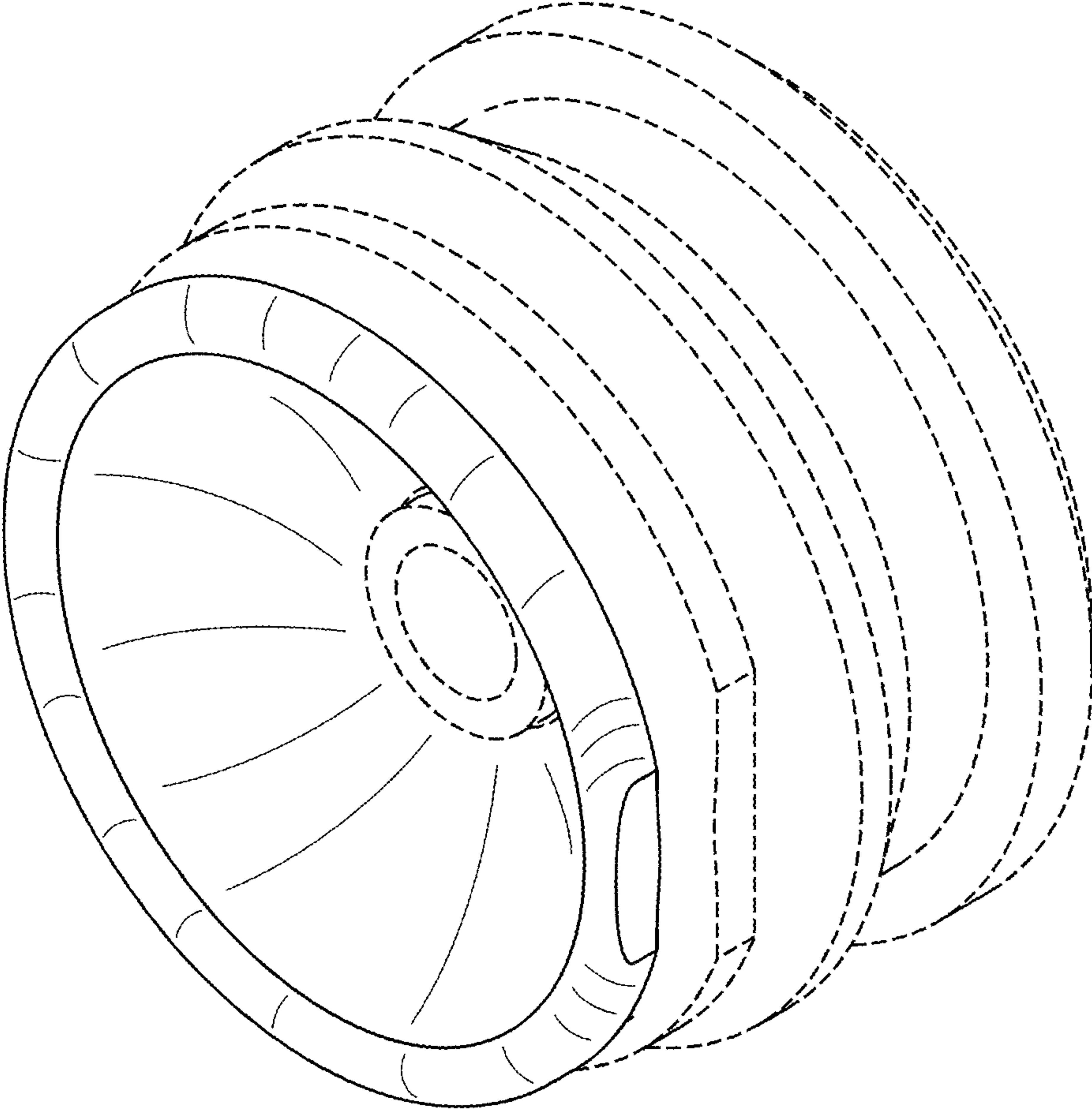


FIG. 2

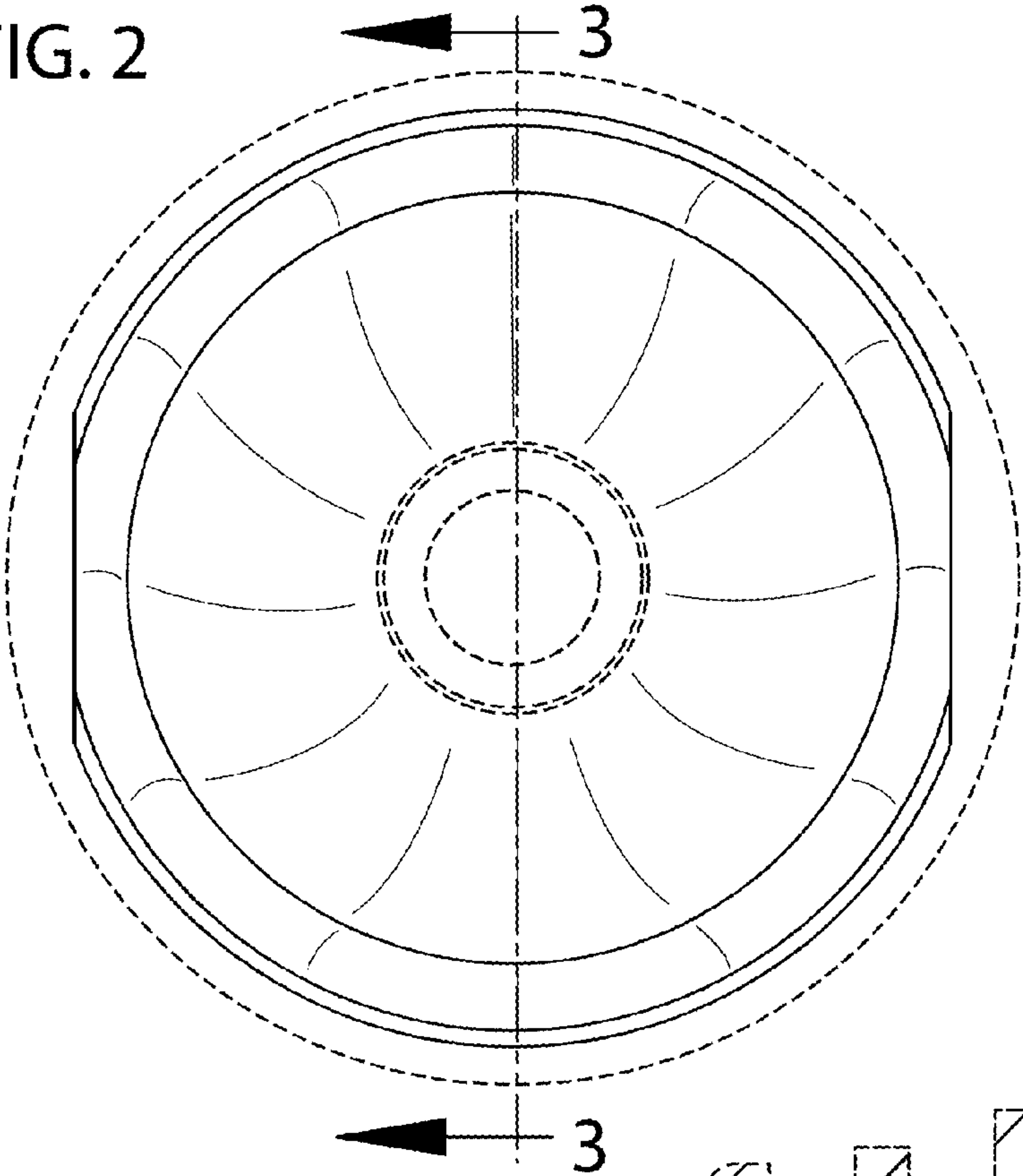


FIG. 3

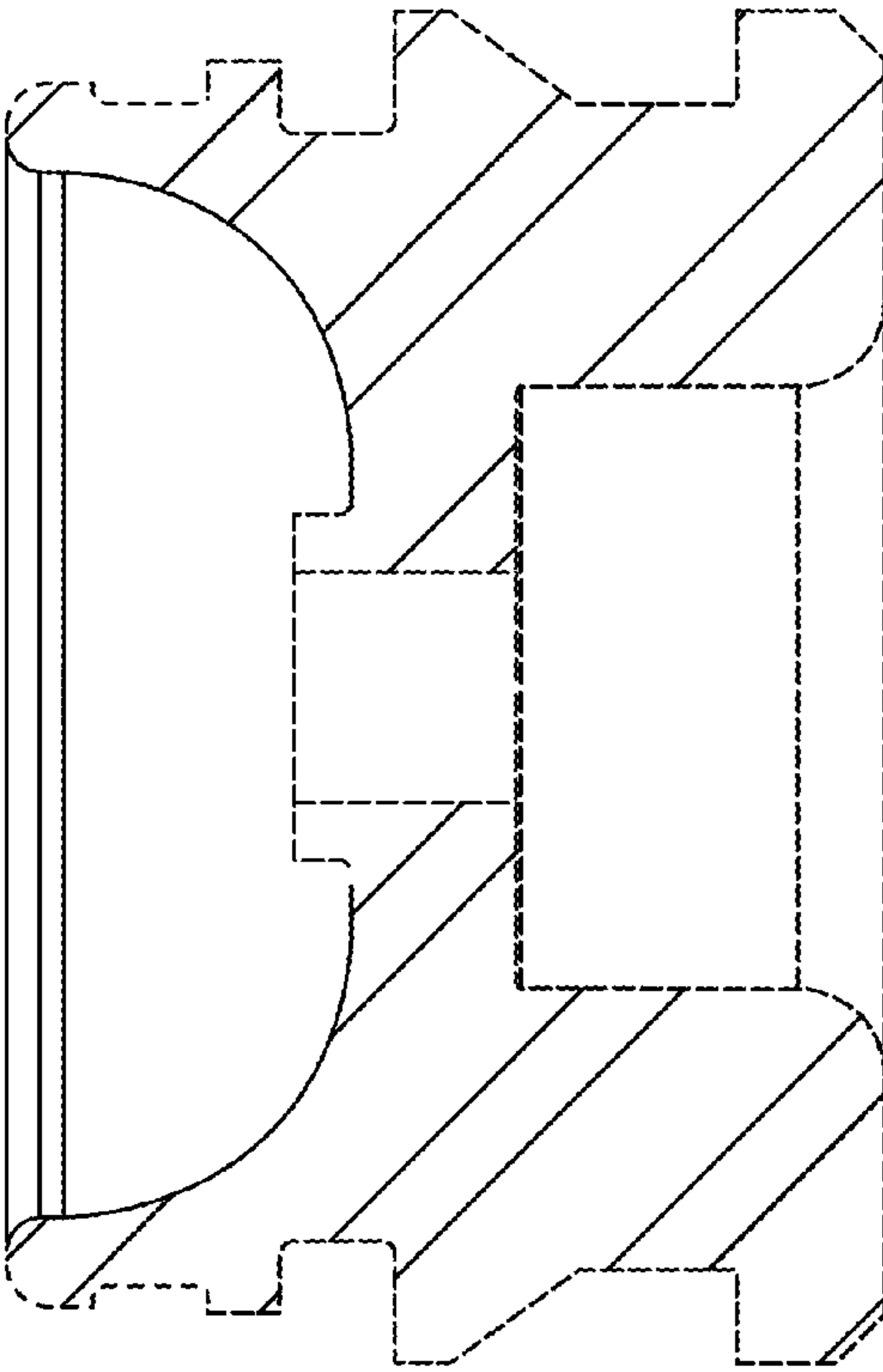


FIG. 4

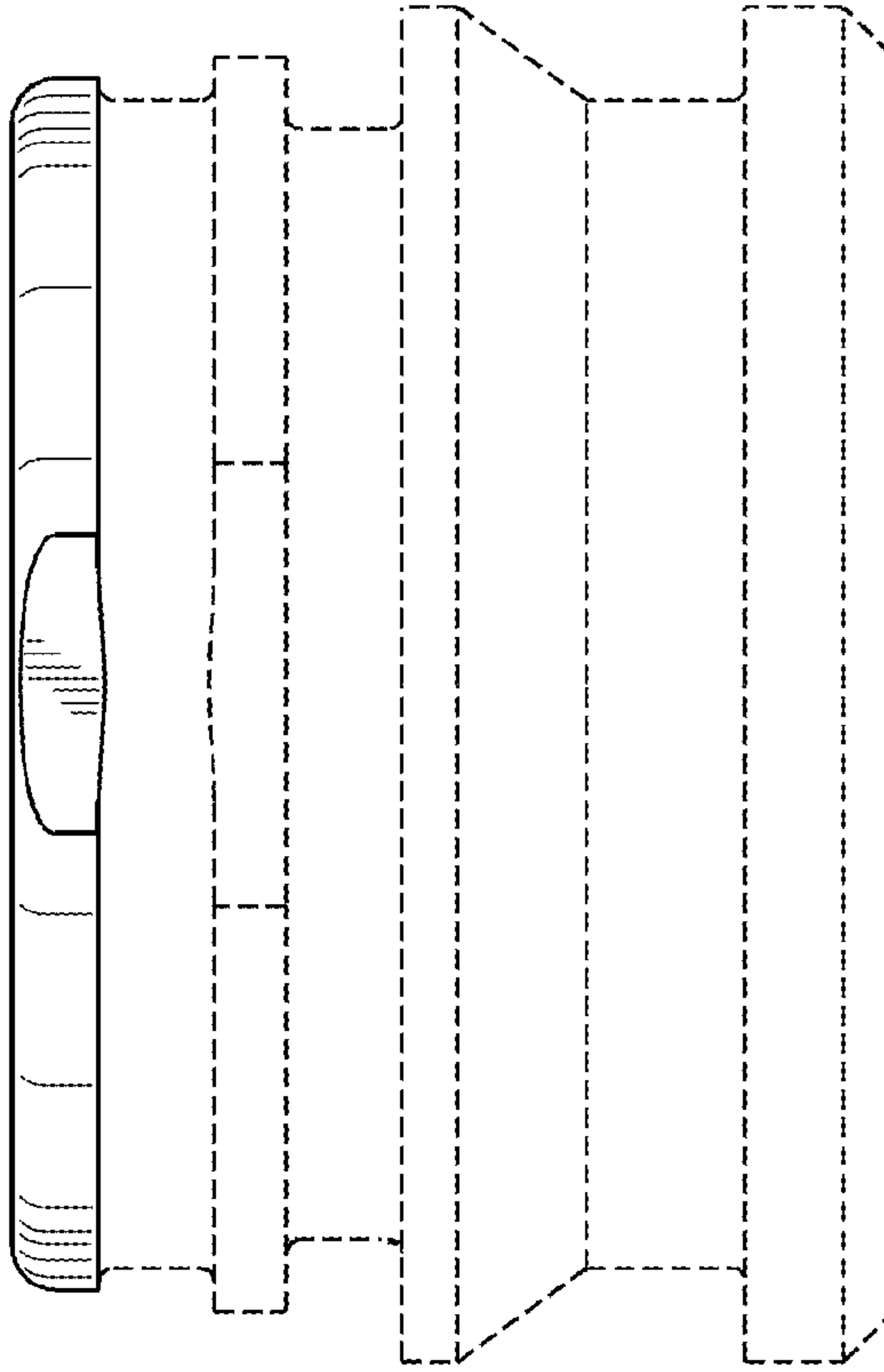


FIG. 5

