



US00D765212S

(12) **United States Design Patent** (10) **Patent No.:** **US D765,212 S**
Cheng et al. (45) **Date of Patent:** **** Aug. 30, 2016**

(54) **SIGHT AIMING DEVICE**
(71) Applicants: **Carson Cheng**, City of Industry, CA (US); **Jason Michael Cheng**, City of Industry, CA (US)
(72) Inventors: **Carson Cheng**, City of Industry, CA (US); **Jason Michael Cheng**, City of Industry, CA (US)
(73) Assignee: **N eSTAR, Inc.**, City of Industry, CA (US)
(**) Term: **14 Years**

(21) Appl. No.: **29/512,273**
(22) Filed: **Dec. 17, 2014**
(51) **LOC (10) Cl.** **22-01**
(52) **U.S. Cl.**
USPC **D22/109**
(58) **Field of Classification Search**
USPC D22/109
CPC F41G 11/003; F41G 1/00; F41G 1/16; F41G 1/345
See application file for complete search history.

(56) **References Cited**
U.S. PATENT DOCUMENTS
D349,510 S * 8/1994 Tomita D16/132
D365,858 S * 1/1996 Tomita D16/132
D662,566 S * 6/2012 Estes D22/109
D672,005 S * 12/2012 Hedeem D22/109
D679,775 S * 4/2013 Cheng D22/109

D704,296 S * 5/2014 Cheng D22/109
D704,297 S * 5/2014 Cheng D22/109
D720,034 S * 12/2014 Cheng D22/109
D747,431 S * 1/2016 Cheng D22/109
2012/0055063 A1* 3/2012 Lindau F41G 1/30
42/113
2014/0237884 A1* 8/2014 Koesler F41G 1/30
42/119
2014/0305022 A1* 10/2014 Chung F41G 1/16
42/113

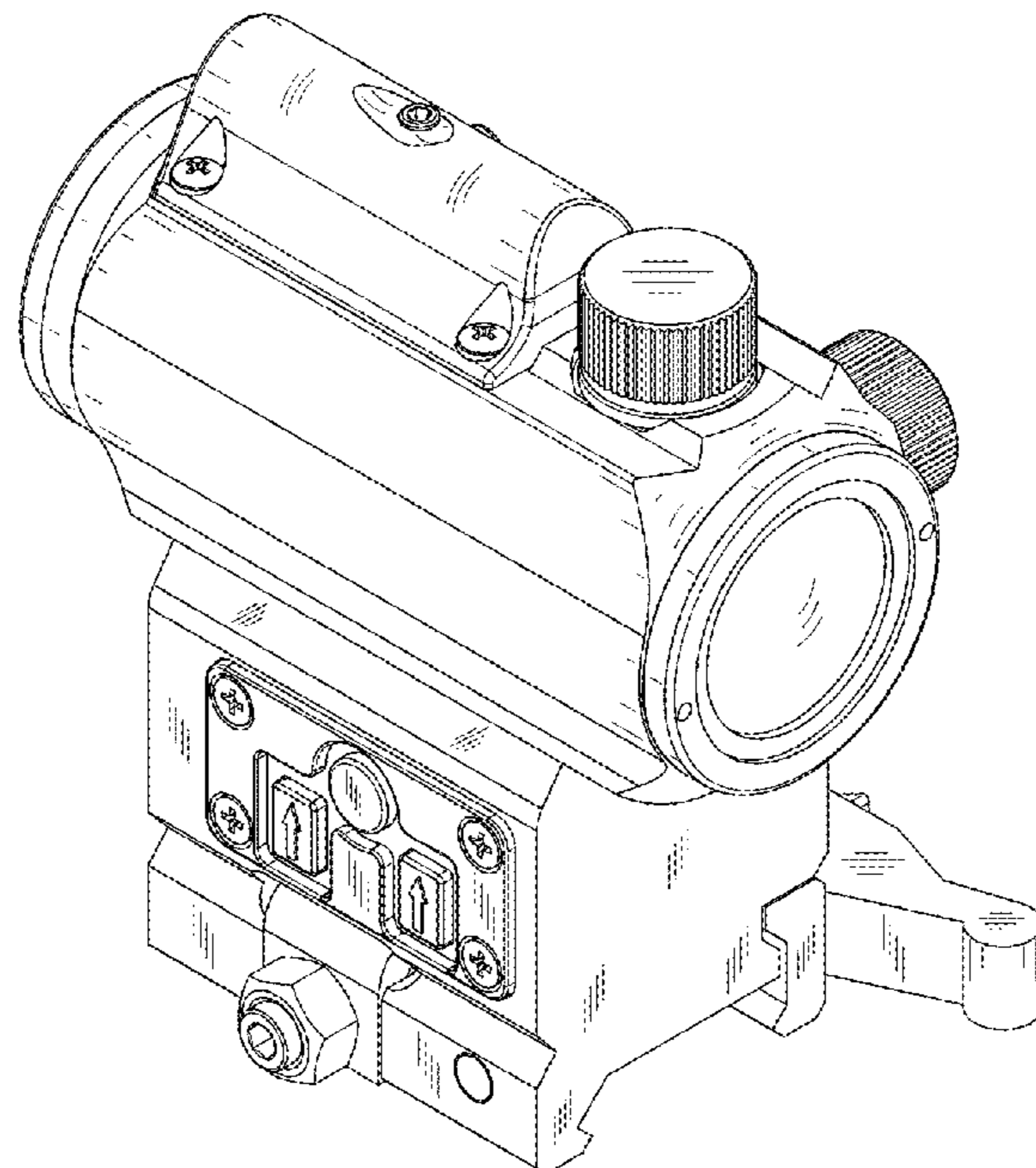
* cited by examiner
Primary Examiner — Michael A Pratt
(74) *Attorney, Agent, or Firm* — Raymond Y. Chan; David and Raymond Patent Firm

(57) **CLAIM**
The ornamental design for a sight aiming device, as shown and described.

DESCRIPTION

FIG. 1 is a perspective view of a sight aiming device showing our new design.
FIG. 2 is a rear view of the sight aiming device.
FIG. 3 is a front view of the sight aiming device.
FIG. 4 is a left view of the sight aiming device.
FIG. 5 is a right view of the sight aiming device.
FIG. 6 is a top view of the sight aiming device.
FIG. 7 is a bottom view of the sight aiming device; and, FIG. 8 is a perspective view of the sight aiming device, showing of the sight aiming device attached to the firearm hanguard, wherein the broken line portion of the figure drawing is included to show unclaimed subject matter only and forms no part of the claimed design.

1 Claim, 5 Drawing Sheets



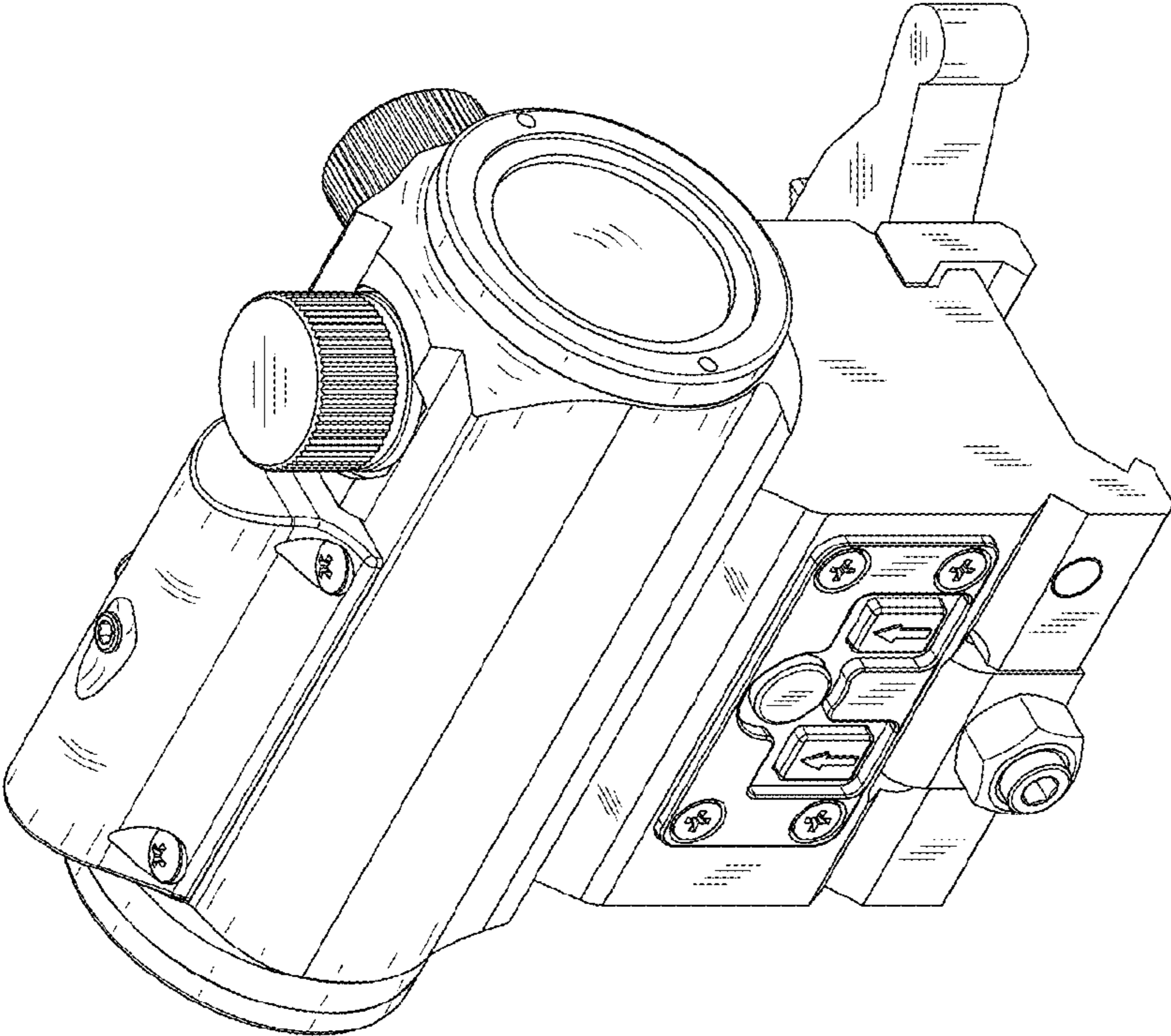


FIG.1

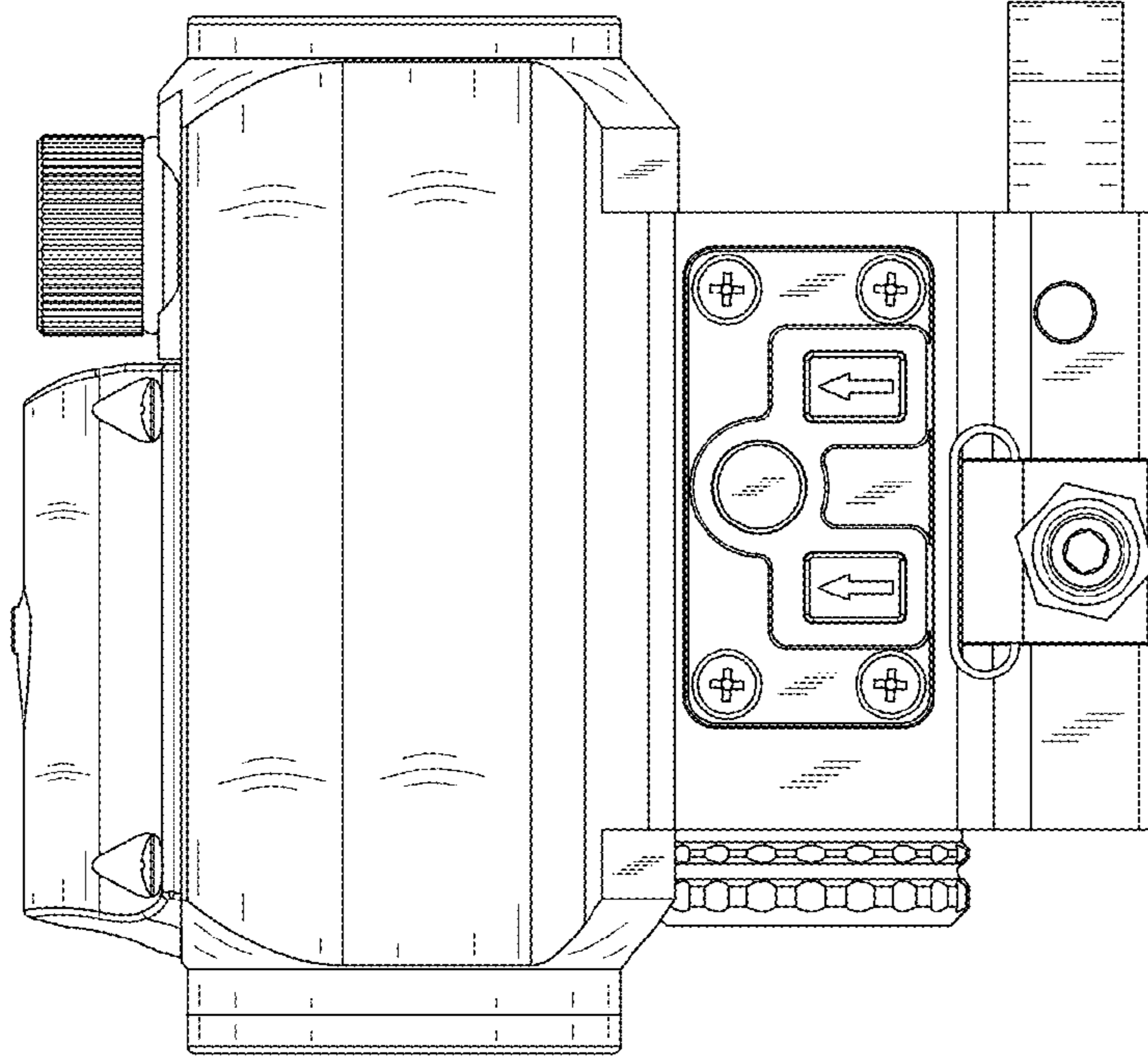


FIG. 2

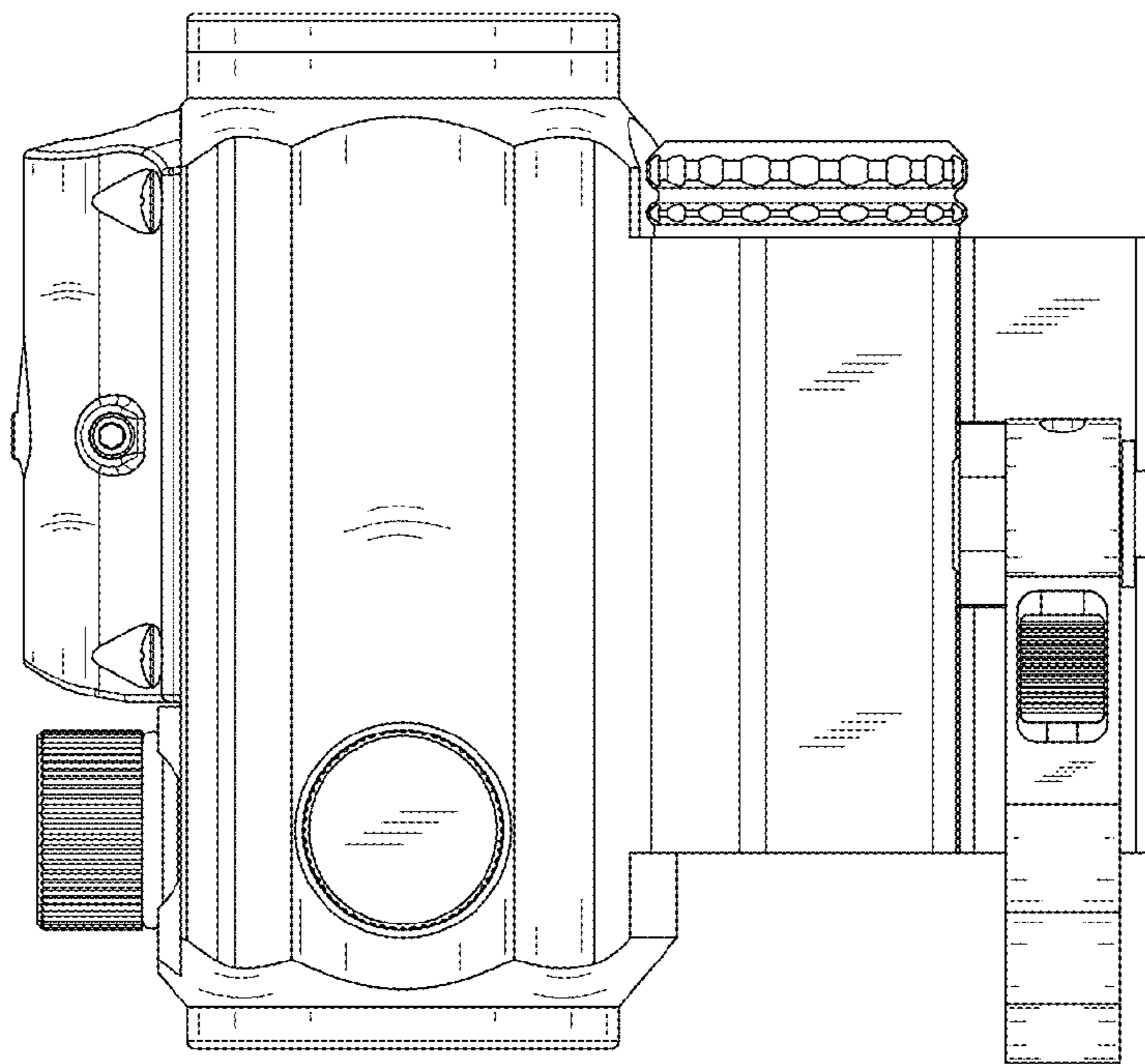


FIG. 3

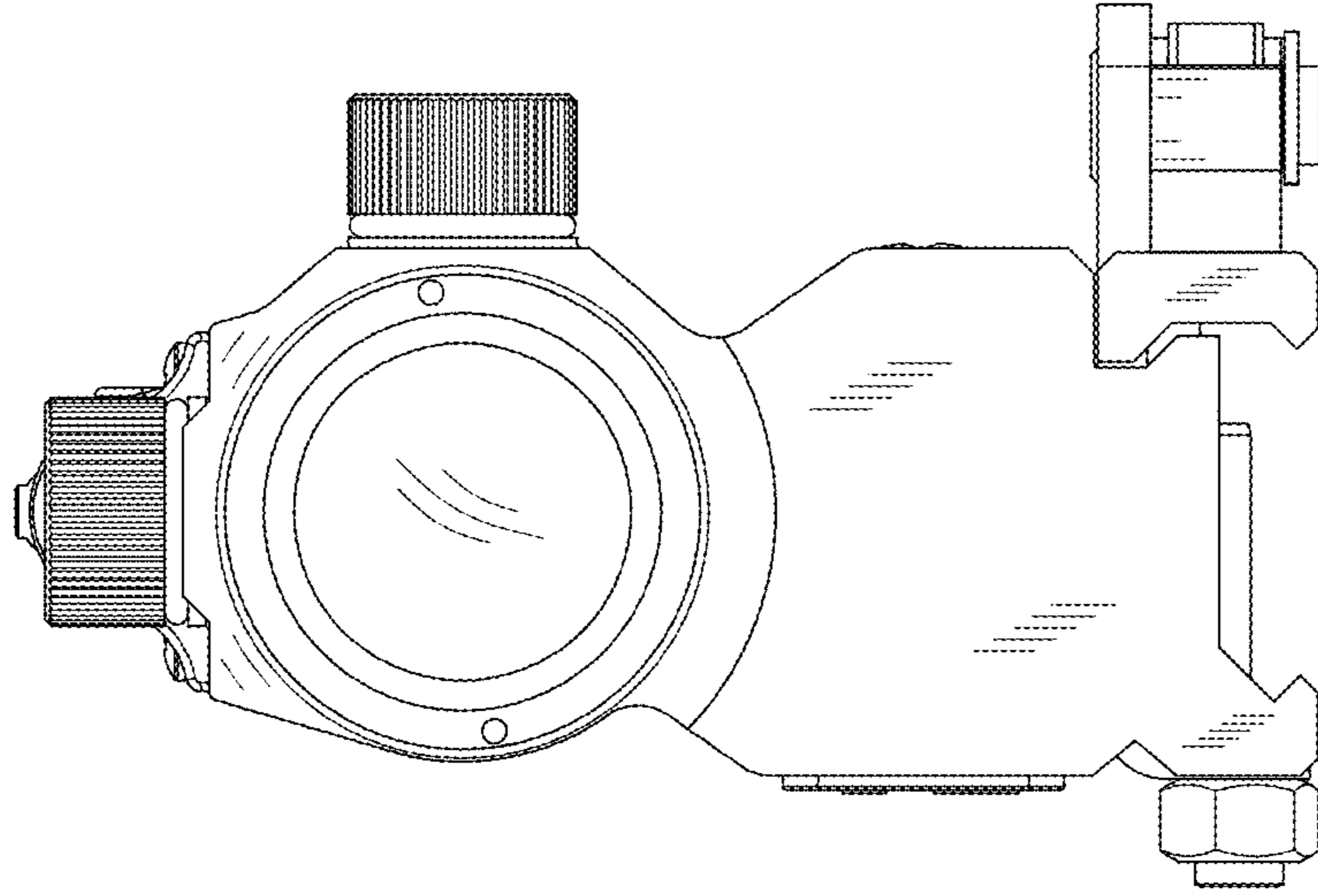


FIG.5

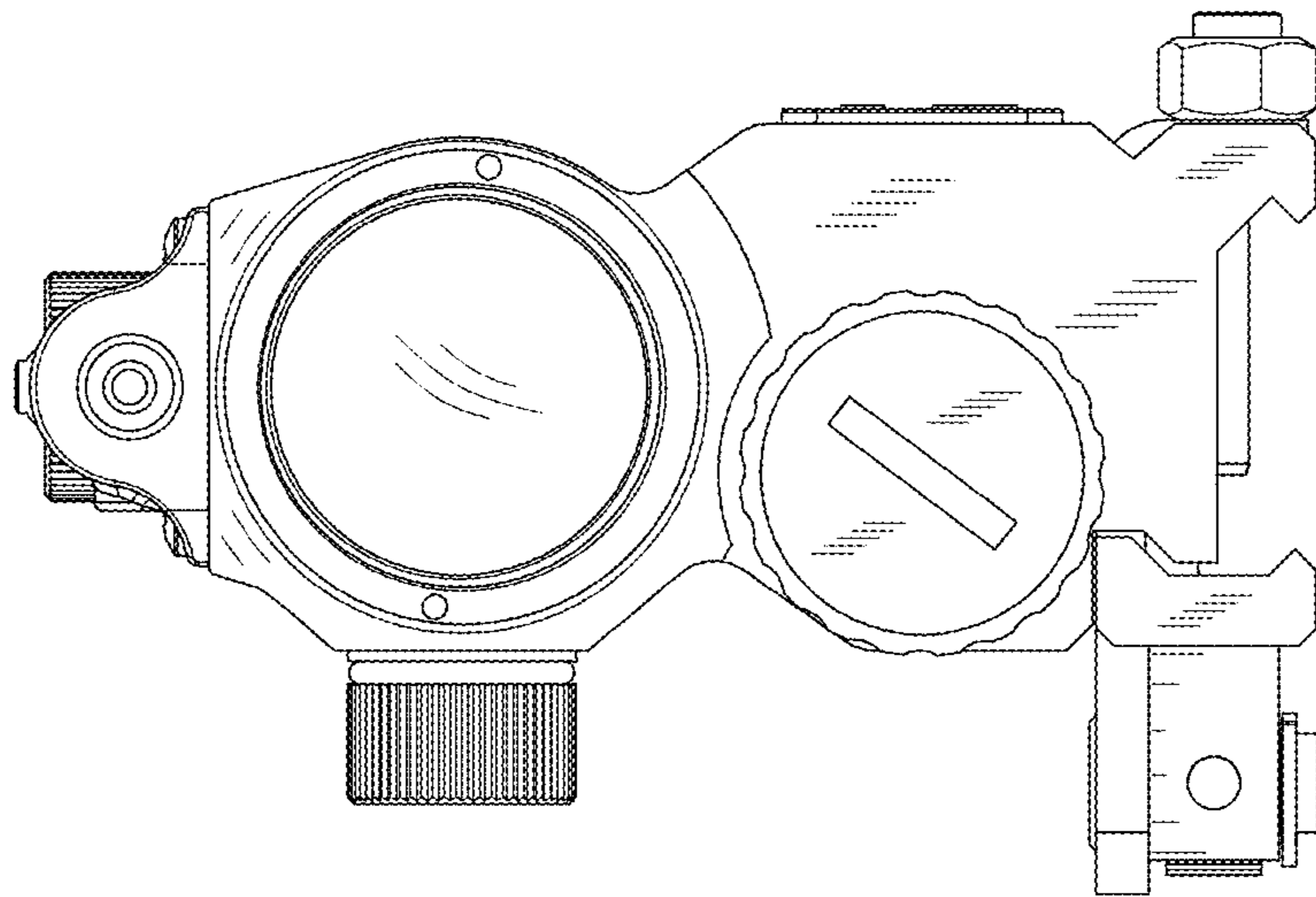


FIG.4

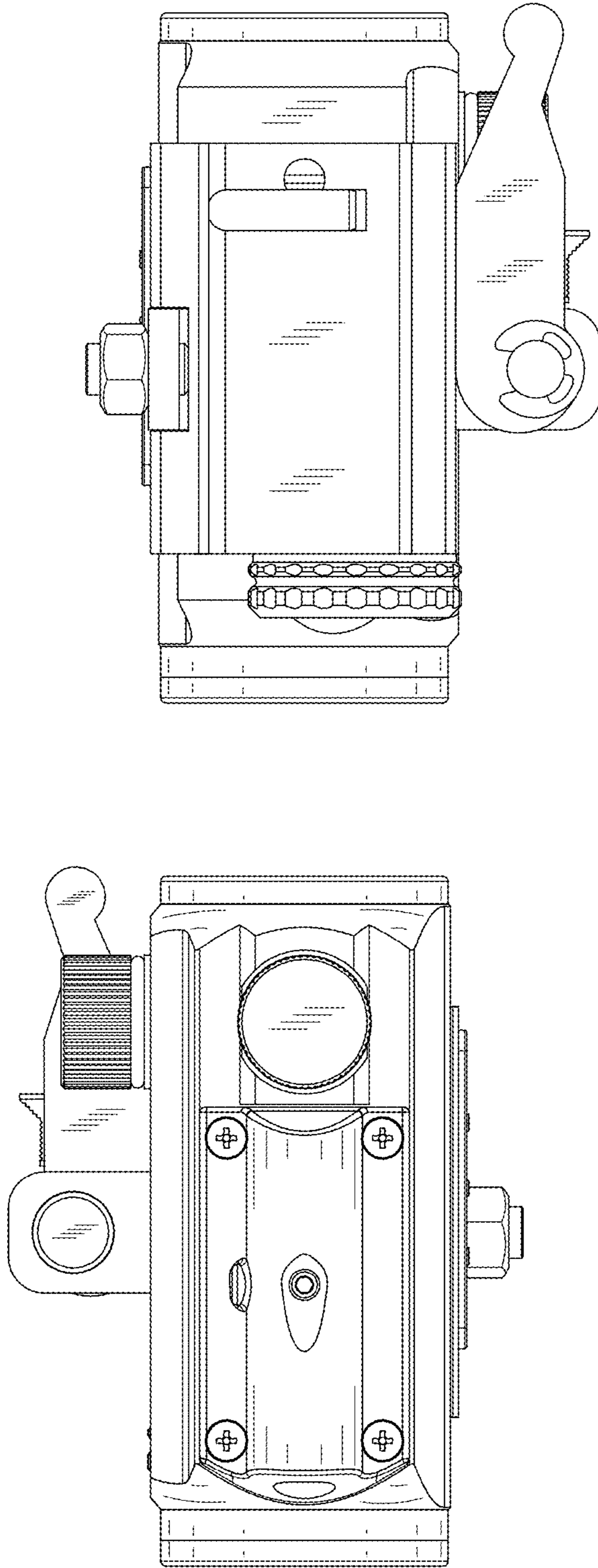


FIG. 6

FIG. 7

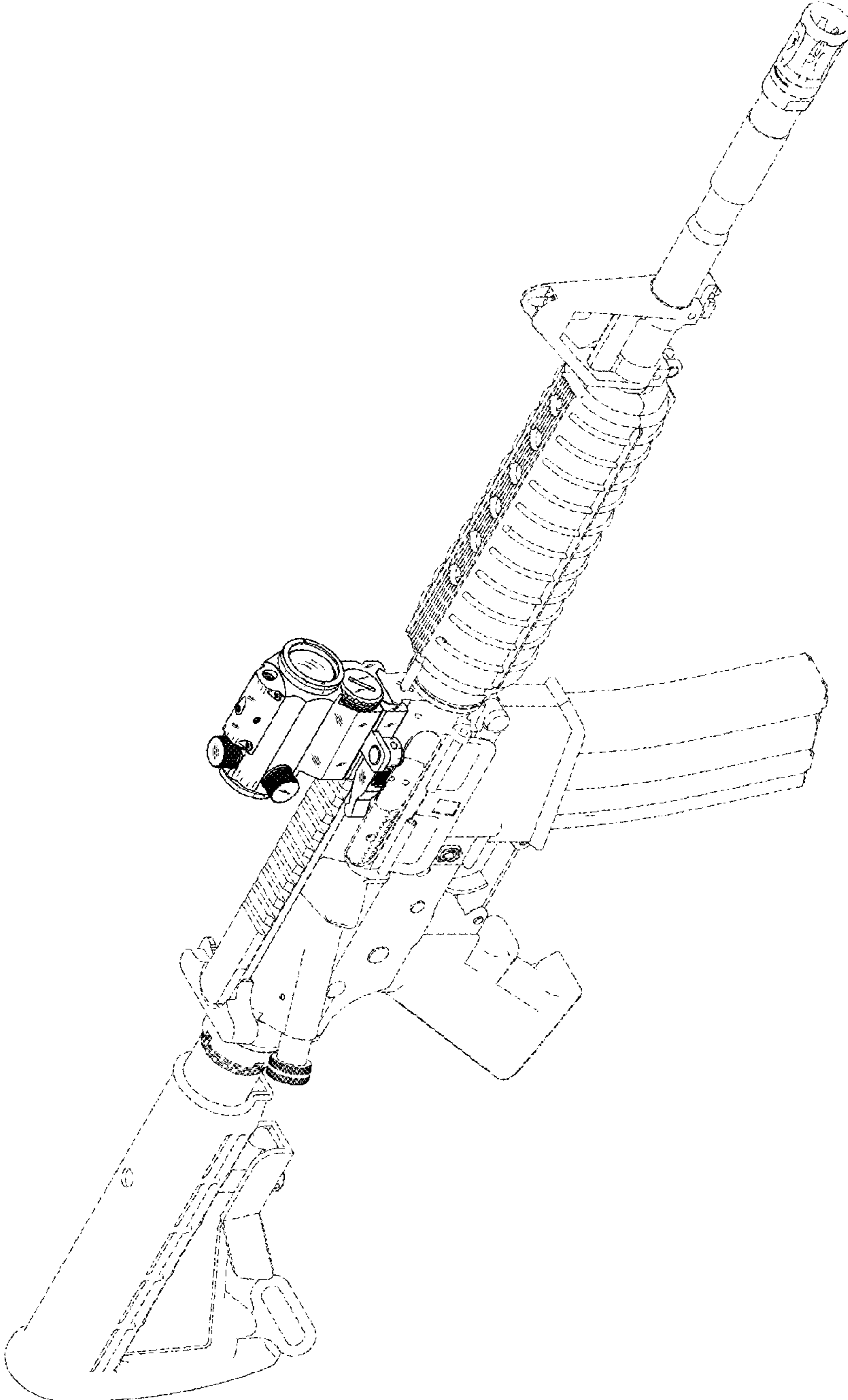


FIG.8