



US00D765210S

(12) **United States Design Patent** (10) **Patent No.:** **US D765,210 S**
Sui (45) **Date of Patent:** **** Aug. 30, 2016**

(54) **MUZZLE BRAKE**

(71) Applicant: **Yongming Sui**, Ontario, CA (US)

(72) Inventor: **Yongming Sui**, Ontario, CA (US)

(**) Term: **14 Years**

(21) Appl. No.: **29/518,461**

(22) Filed: **Feb. 24, 2015**

(51) **LOC (10) Cl.** **22-01**

(52) **U.S. Cl.**

USPC **D22/108**

(58) **Field of Classification Search**

USPC D22/103, 108; D21/572-575

CPC F41A 21/34; F41A 21/325; F41A 21/32;

F41A 21/28

See application file for complete search history.

(56) **References Cited**

U.S. PATENT DOCUMENTS

D515,169 S * 2/2006 Bounds D22/108

* cited by examiner

Primary Examiner — Michael A Pratt

(74) *Attorney, Agent, or Firm* — Che-Yang Chen; Law Office of Scott Warmuth

(57) **CLAIM**

The ornamental design for a muzzle brake, as shown and described.

DESCRIPTION

FIG. 1 is a perspective view of a muzzle brake showing my new design;

FIG. 2 is a rear elevational view thereof;

FIG. 3 is a front elevational view thereof;

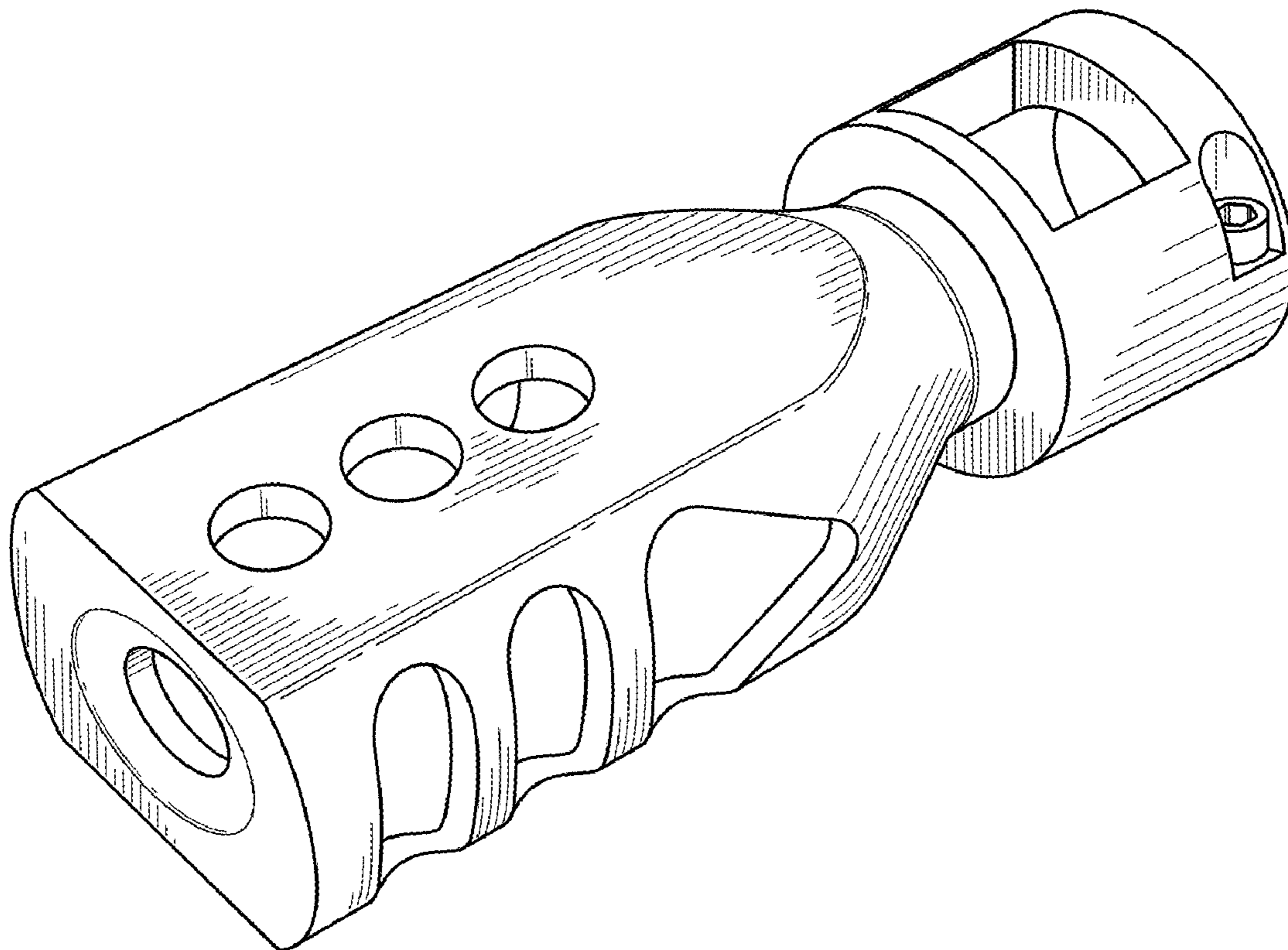
FIG. 4 is a right side elevational view thereof;

FIG. 5 is a left side elevational view thereof;

FIG. 6 is a top plan view thereof; and,

FIG. 7 is a bottom plan view thereof.

1 Claim, 3 Drawing Sheets



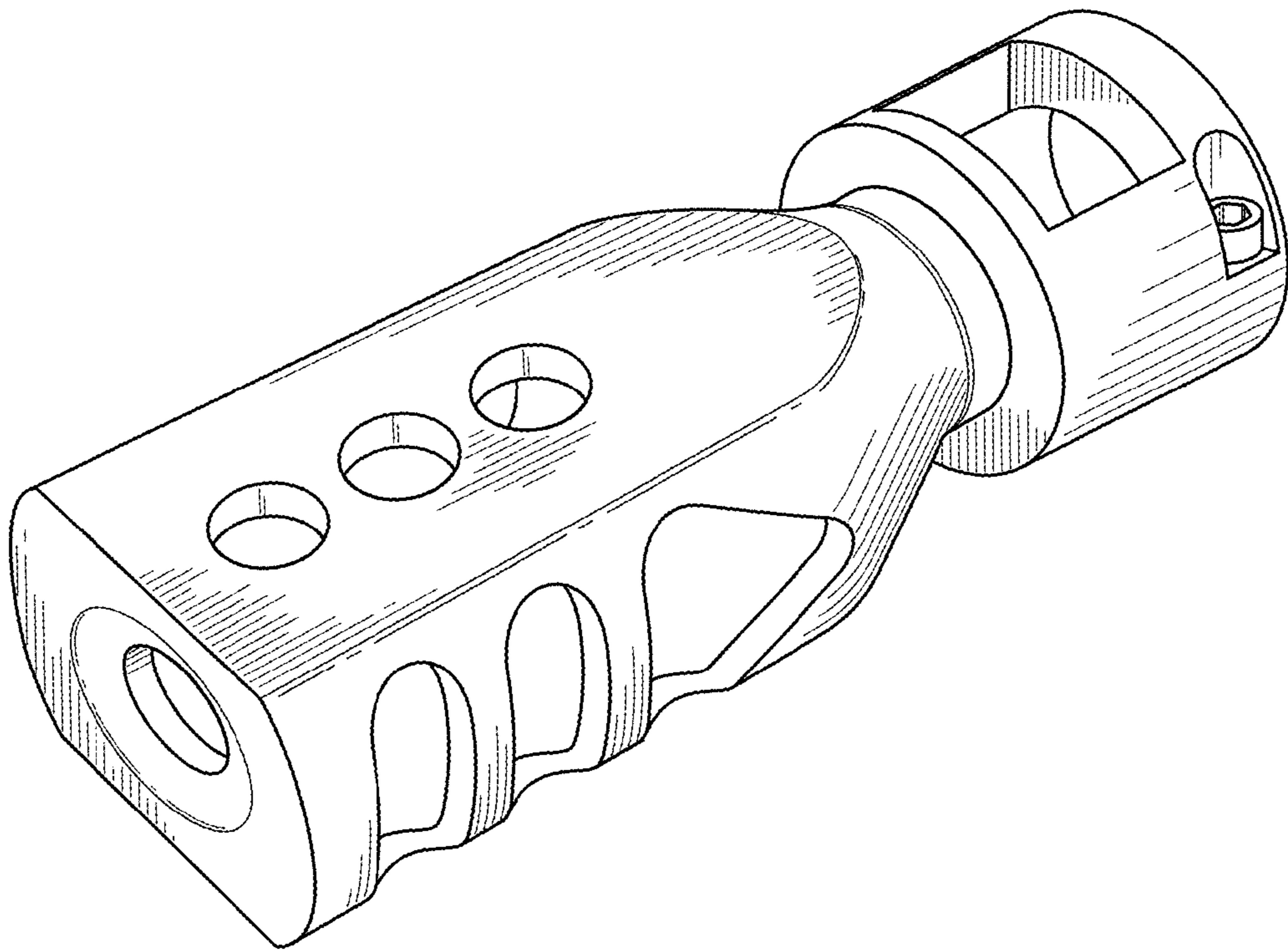


FIG. 1

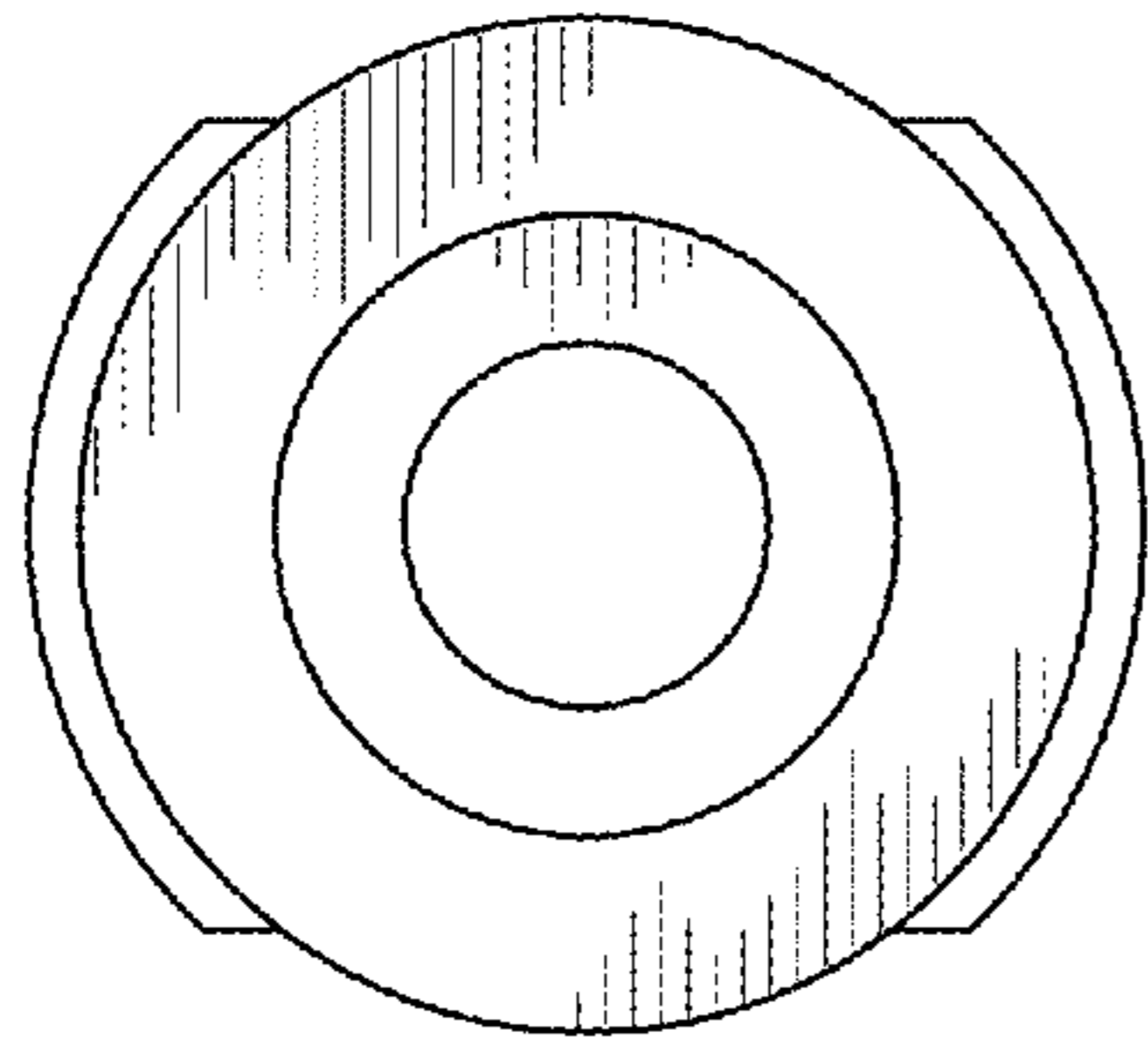


FIG. 2

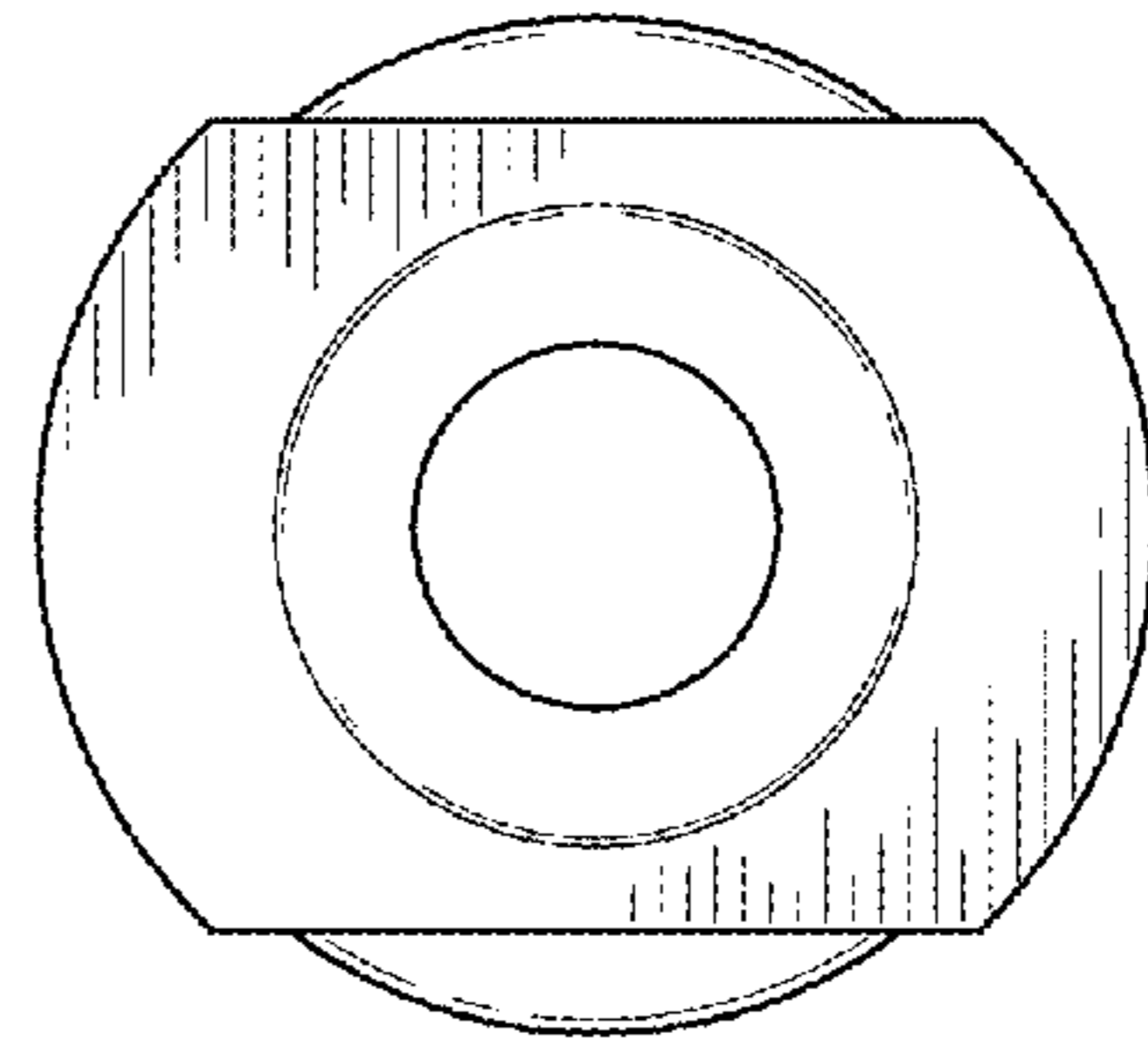


FIG. 3

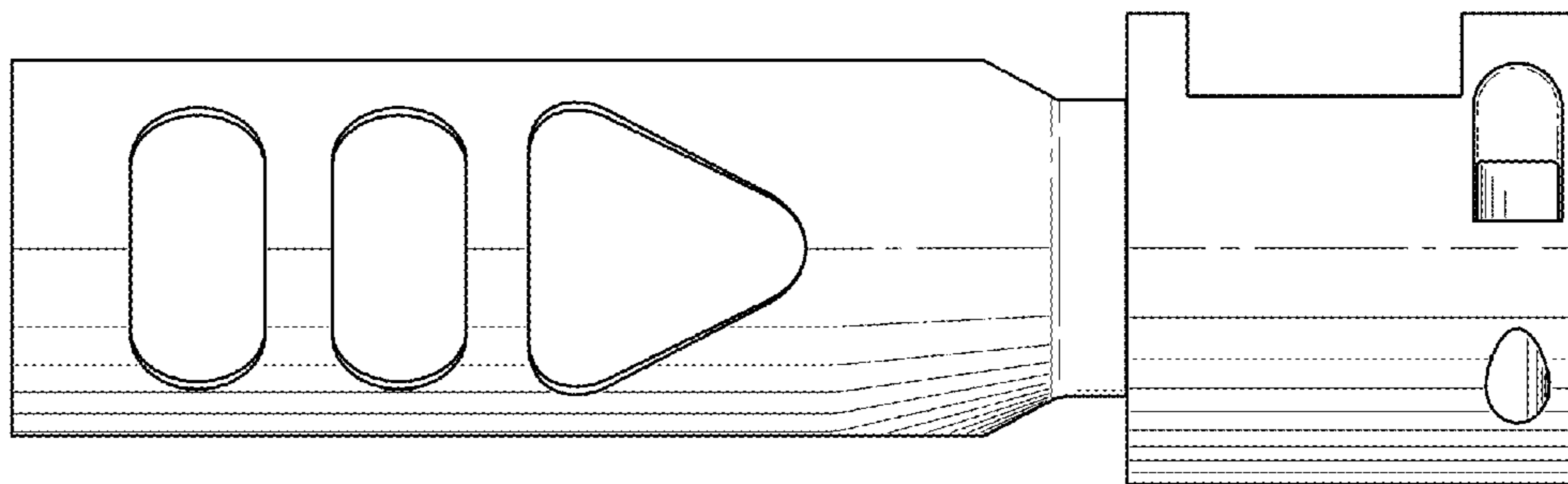


FIG. 4

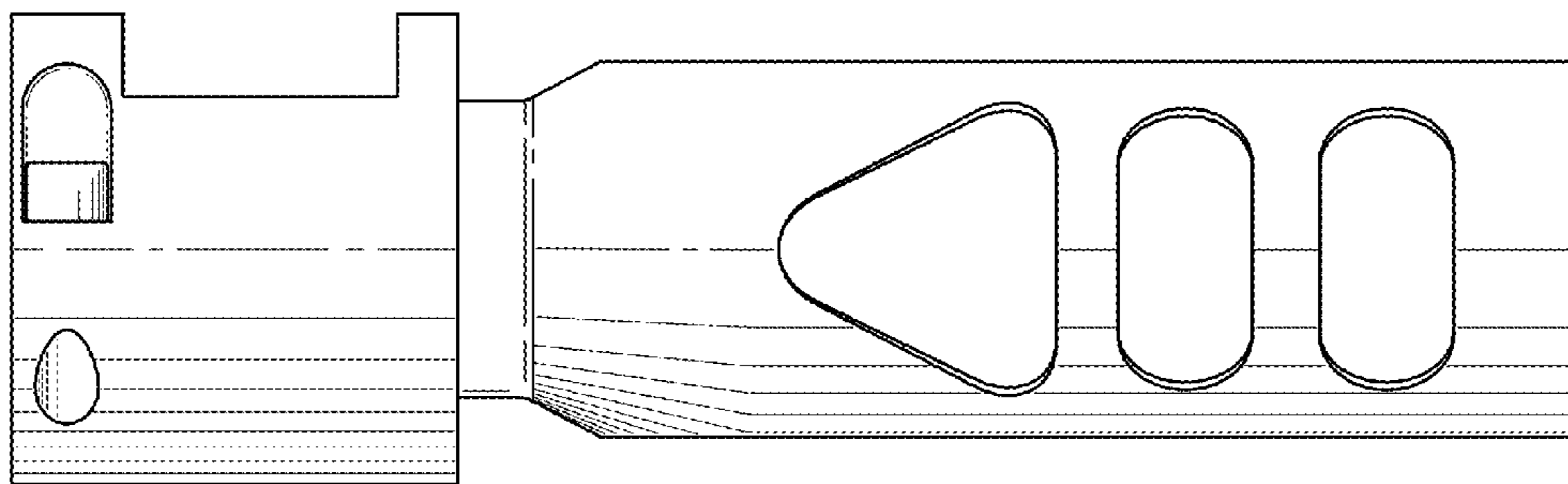


FIG. 5

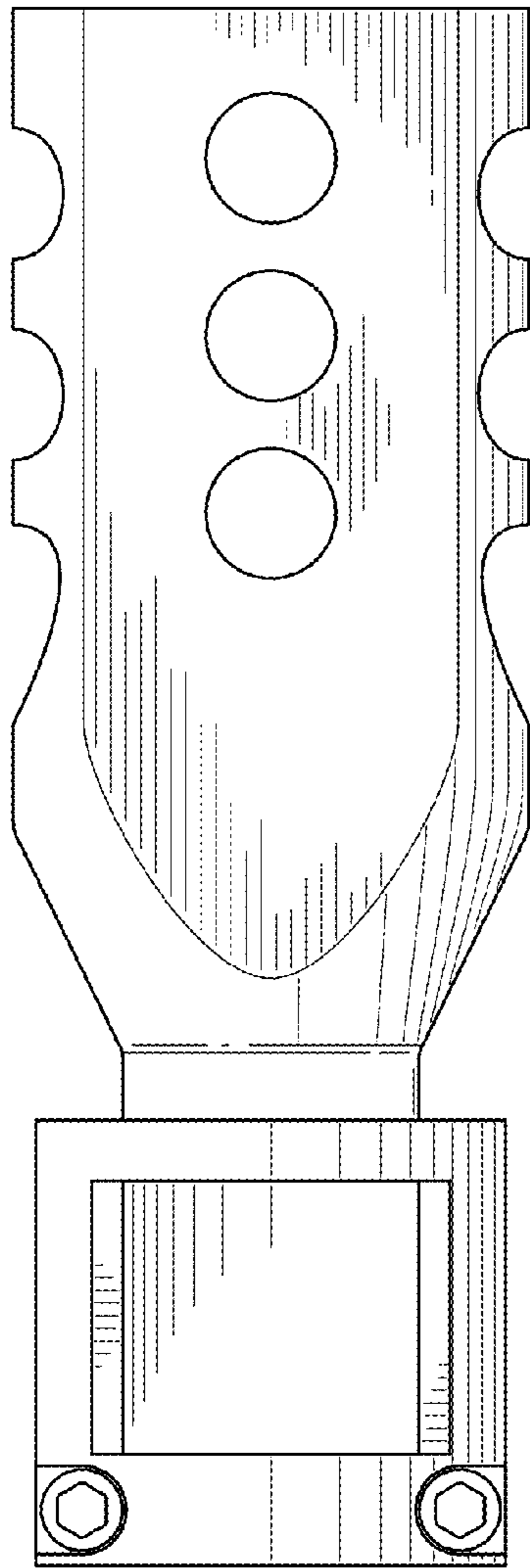


FIG. 6

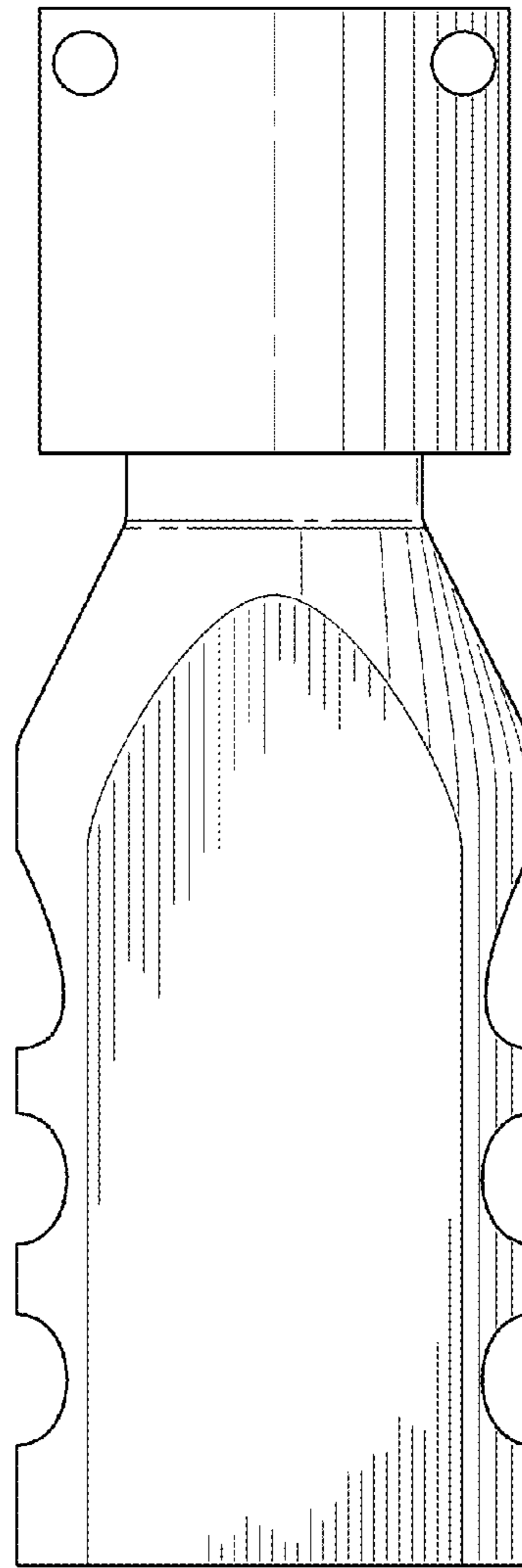


FIG. 7