



US00D765208S

(12) **United States Design Patent** (10) **Patent No.:** **US D765,208 S**
Loa (45) **Date of Patent:** **** Aug. 30, 2016**

(54) **BROADHEAD WITH PIVOTING BLADES**

D646,747 S * 10/2011 Samona D22/115
D672,836 S * 12/2012 Butcher D22/107
2007/0037640 A1* 2/2007 Rager F42B 6/08
473/578

(71) Applicant: **Datt Outdoors LLC**, Weatherford, TX
(US)

* cited by examiner

(72) Inventor: **Thomas Loa**, Weatherford, TX (US)

Primary Examiner — Michael A Pratt

(**) Term: **14 Years**

(74) *Attorney, Agent, or Firm* — Law Office of Jeff Williams; J. Oliver Williams

(21) Appl. No.: **29/516,746**

(57) **CLAIM**

The ornamental design for a broadhead with pivoting blades, as shown.

(22) Filed: **Feb. 5, 2015**

DESCRIPTION

(51) **LOC (10) Cl.** **22-01**

(52) **U.S. Cl.**
USPC **D22/107**

(58) **Field of Classification Search**
USPC D22/107, 115
CPC F42B 6/04; F42B 6/08; F42B 6/003;
F42B 6/02; F42B 12/362

See application file for complete search history.

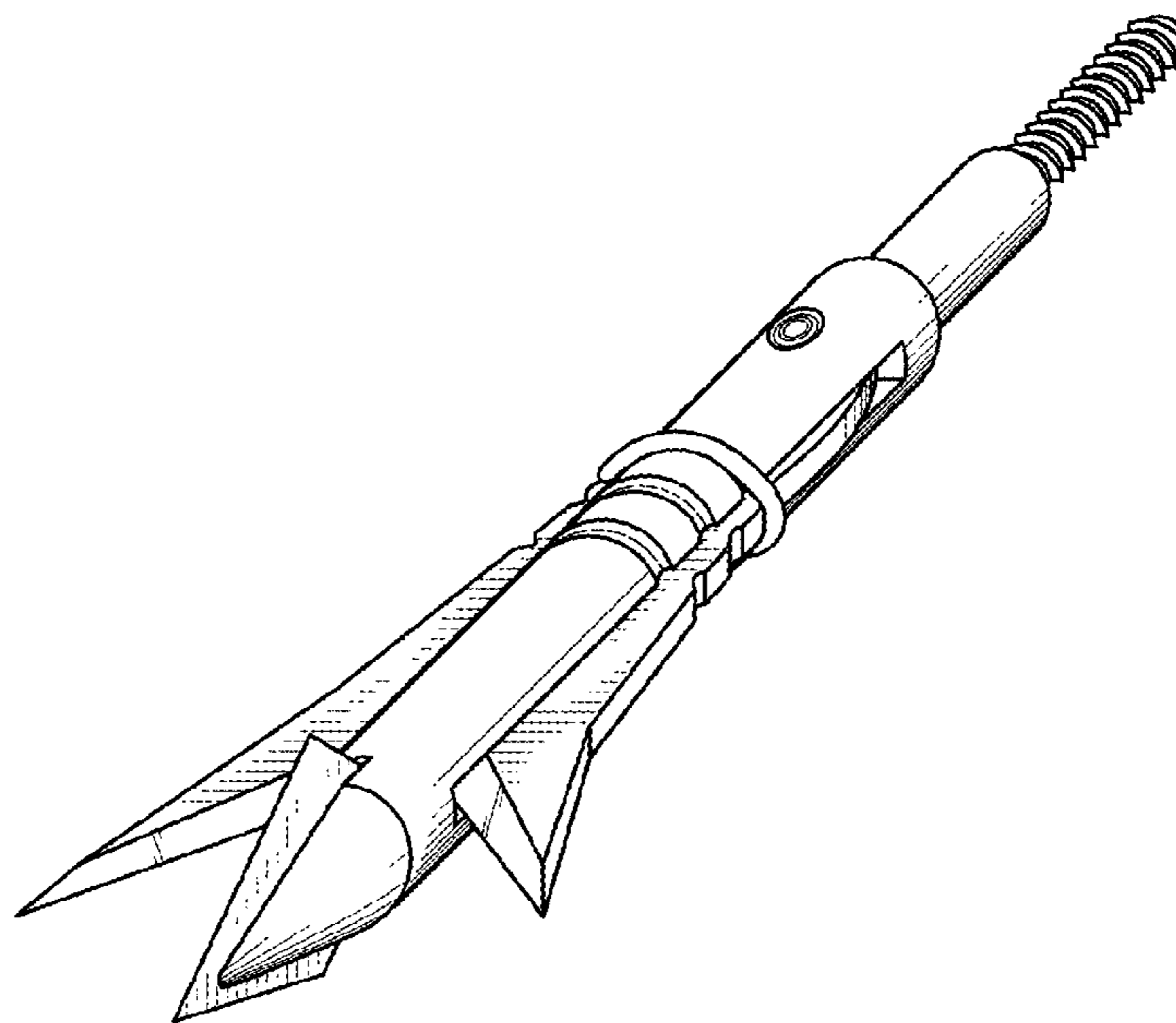
FIG. 1 is a perspective view of a broadhead with pivoting blades according to the present application.
FIG. 2 is a front view of the broadhead with pivoting blades of FIG. 1.
FIG. 3 is a back view of the broadhead with pivoting blades of FIG. 1.
FIG. 4 is a left view of the broadhead with pivoting blades of FIG. 1.
FIG. 5 is a right view of the broadhead with pivoting blades of FIG. 1.
FIG. 6 is a top view of the broadhead with pivoting blades of FIG. 1.
FIG. 7 is a bottom view of the broadhead with pivoting blades of FIG. 1; and,
FIG. 8 is an alternative perspective view of the broadhead with pivoting blades of FIG. 1.

(56) **References Cited**

U.S. PATENT DOCUMENTS

D219,873 S * 2/1971 Ritchie 473/582
7,025,697 B2 * 4/2006 Mizek F42B 6/08
473/583
D538,375 S * 3/2007 Reitz D22/107
D630,700 S * 1/2011 Fanizzi D22/107

1 Claim, 5 Drawing Sheets



(Perspective)

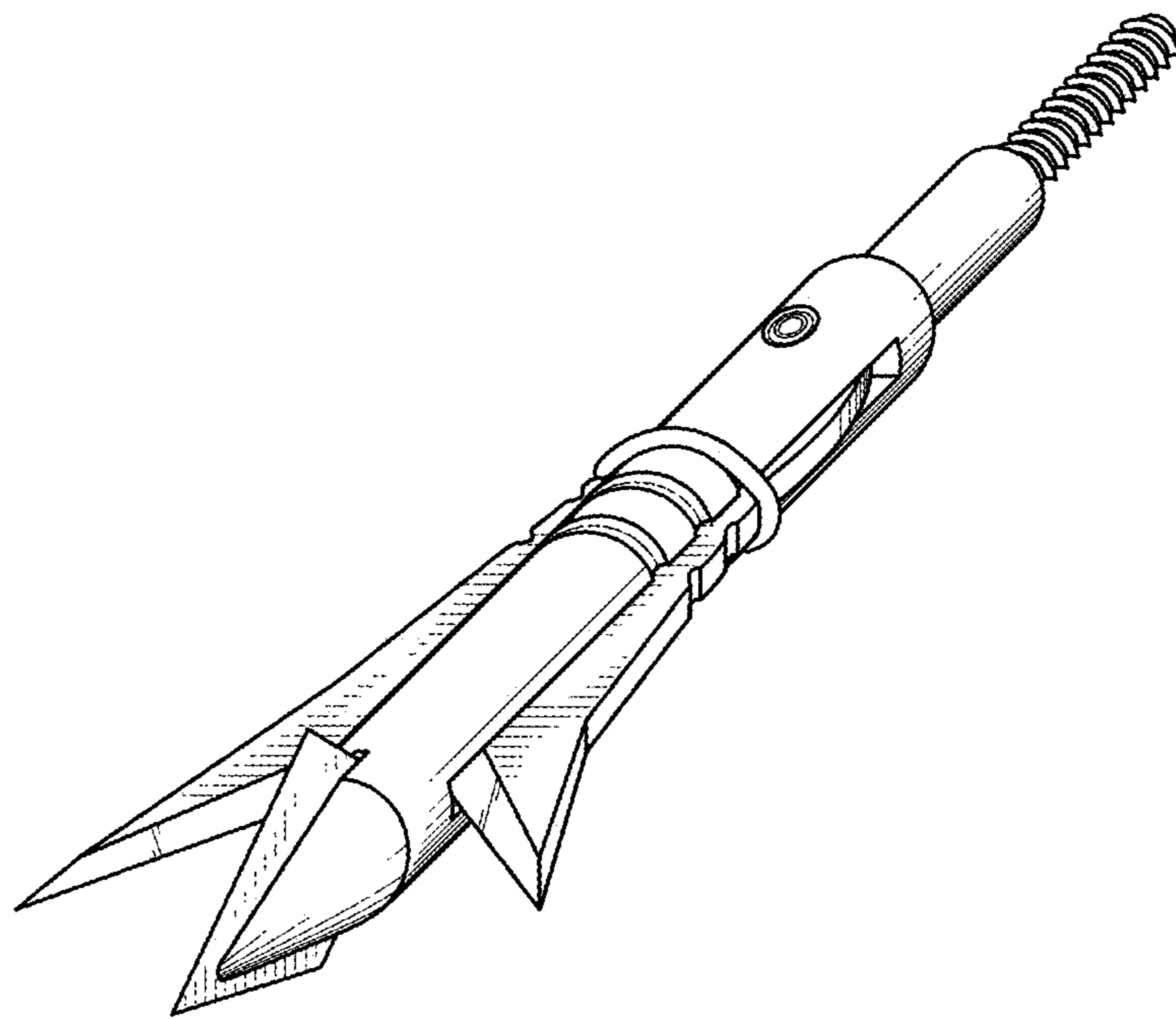


FIG. 1
(Perspective)

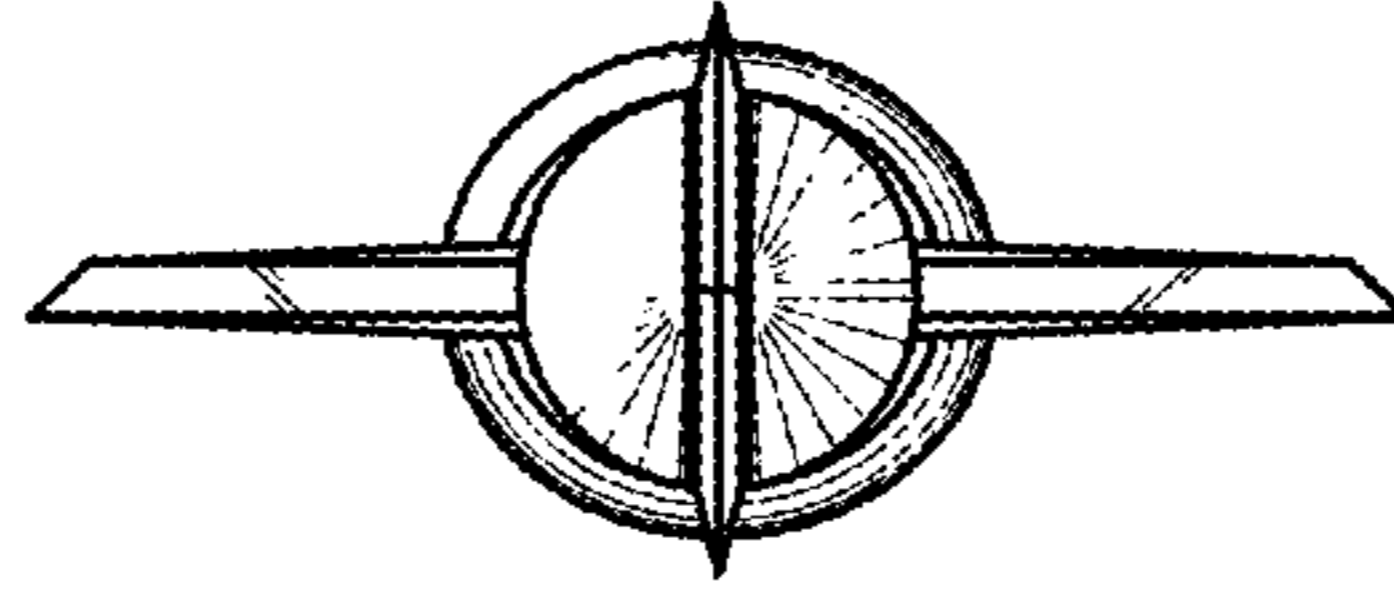


FIG. 2
(Front)

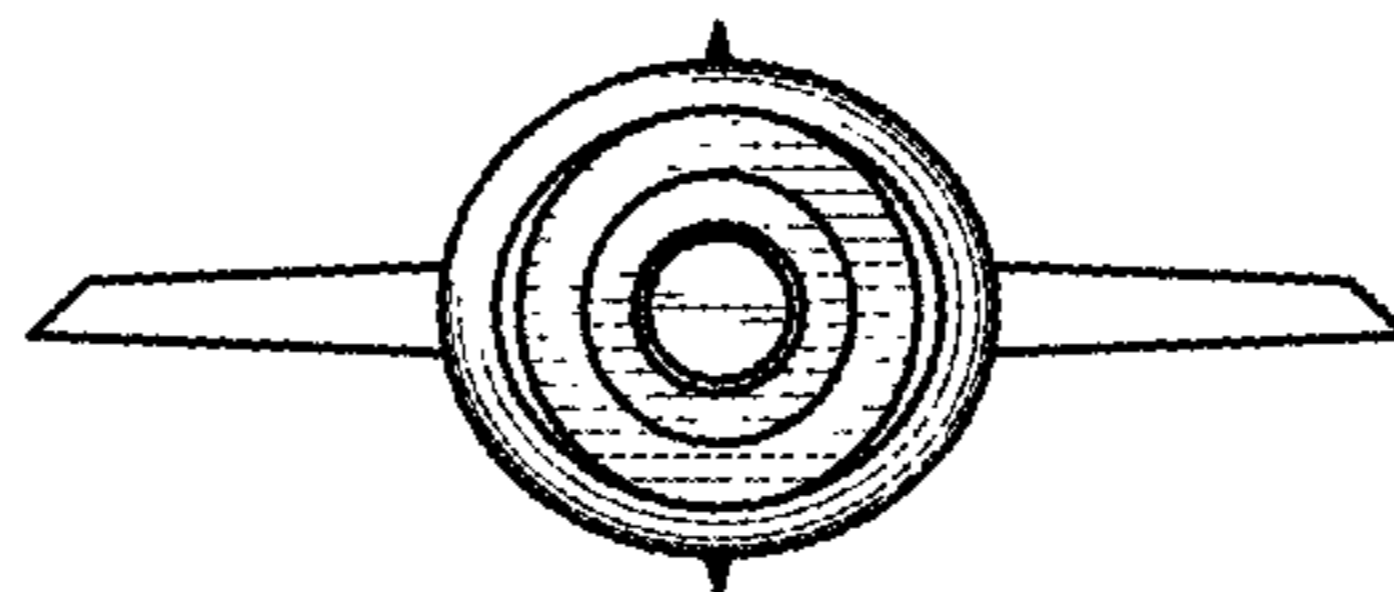


FIG. 3
(Back)

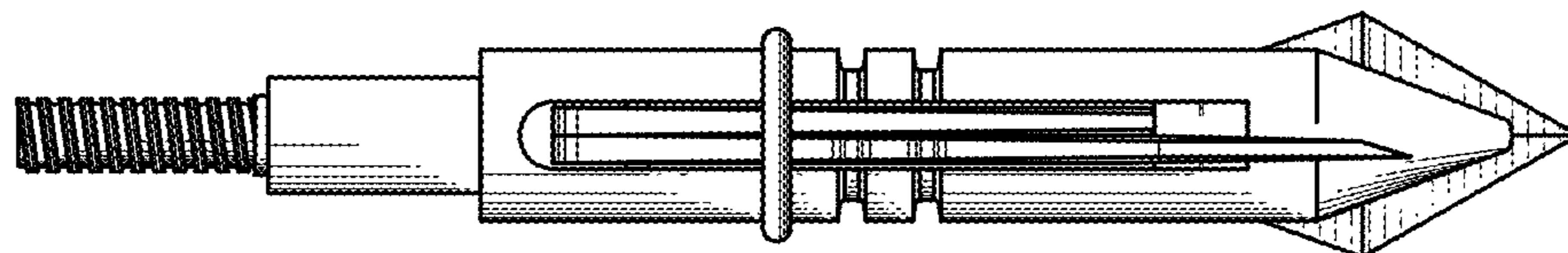


FIG. 4
(Left)

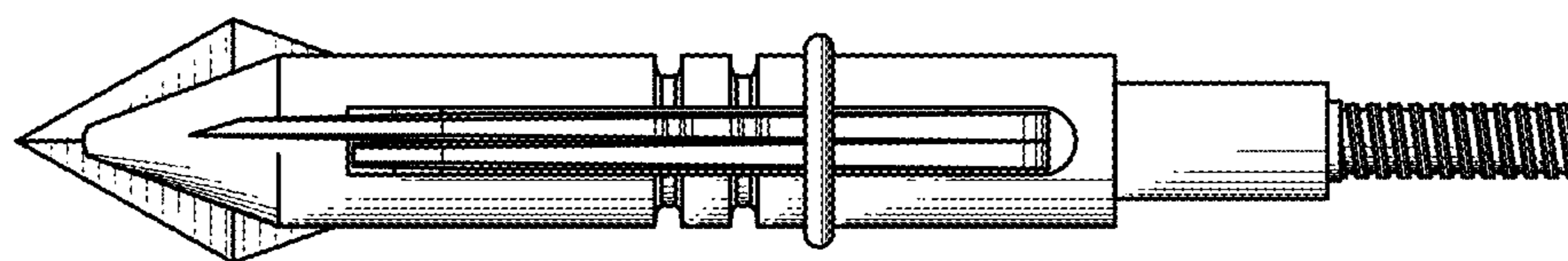


FIG. 5
(Right)

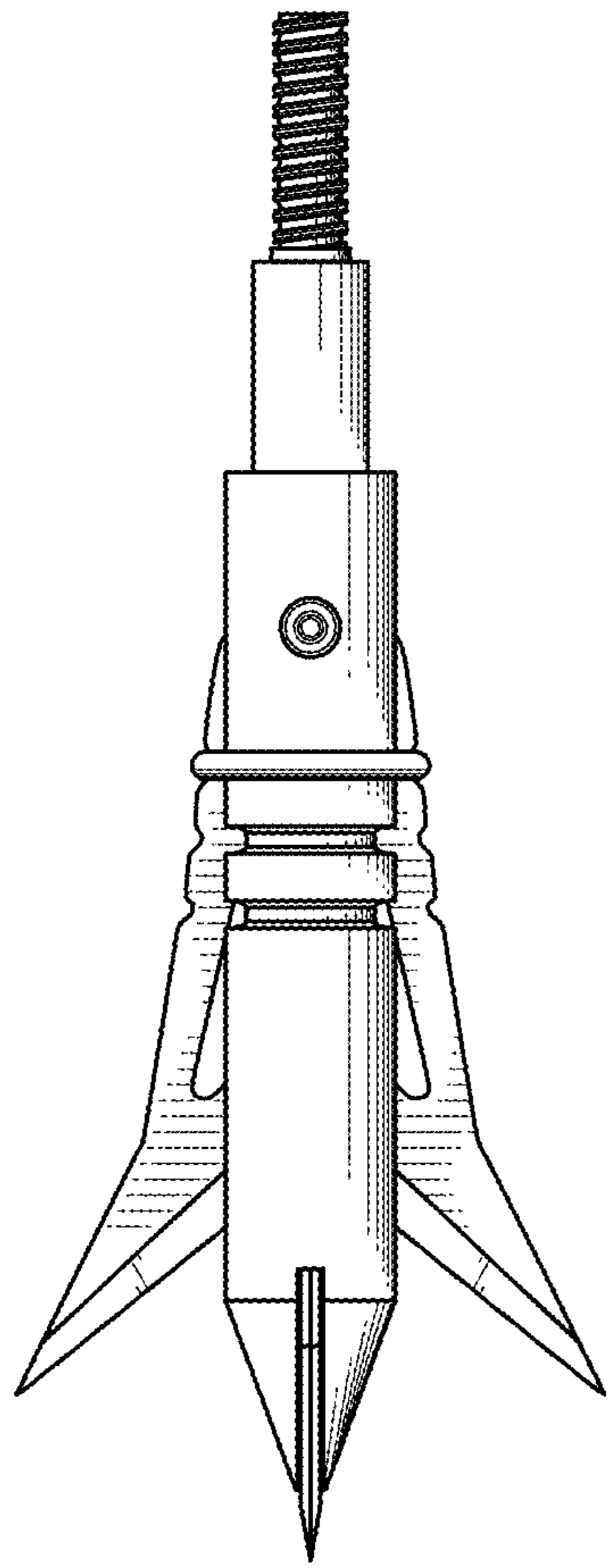


FIG. 6
(Top)

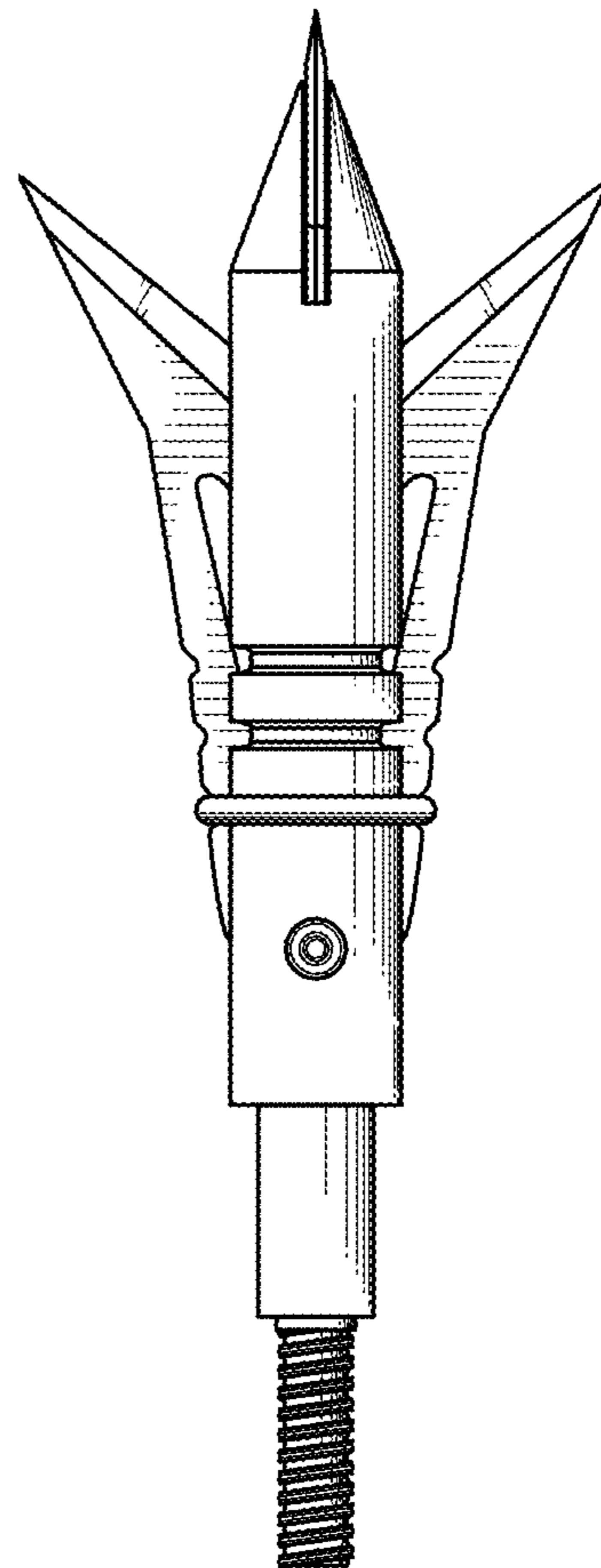


FIG. 7
(Bottom)

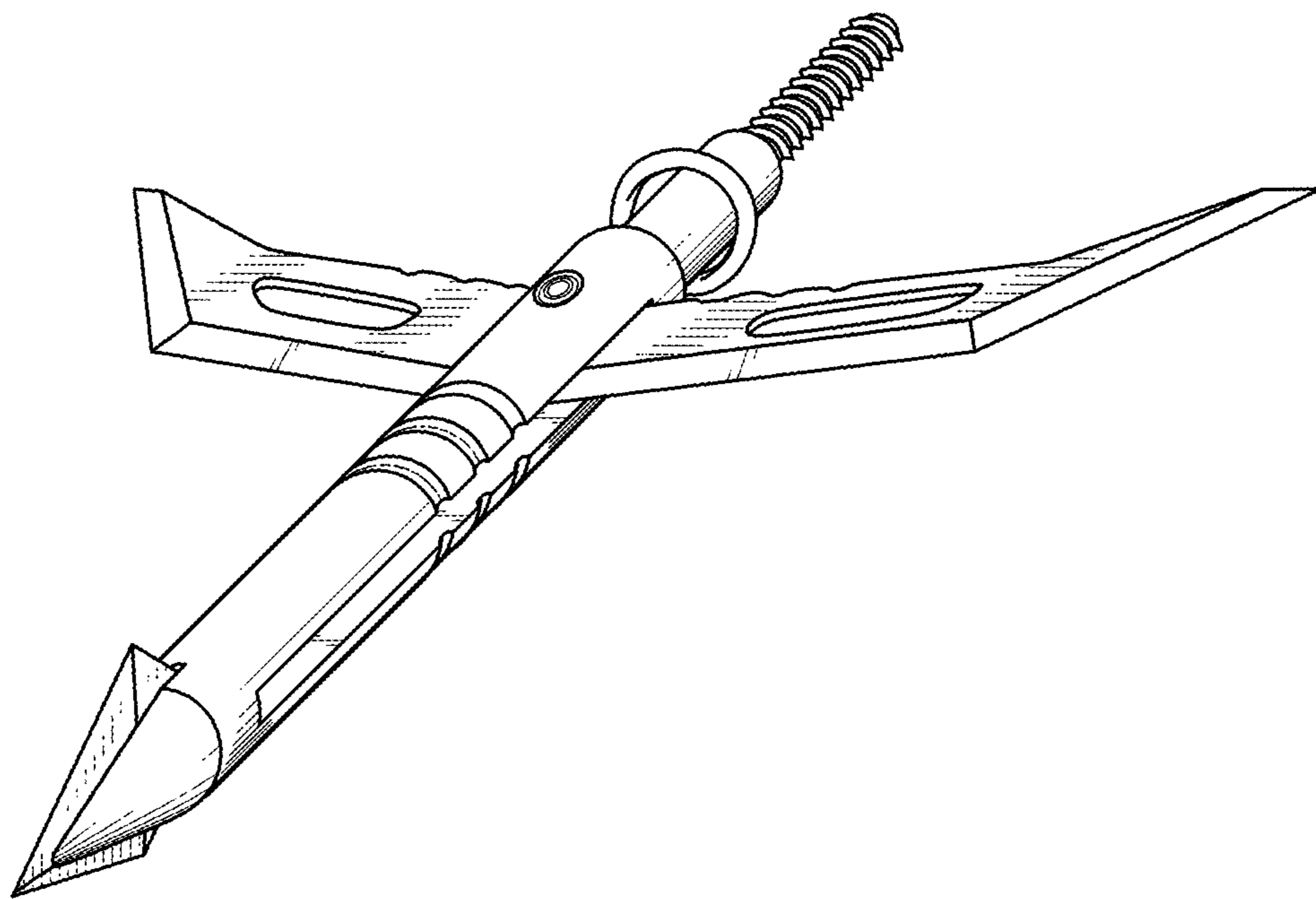


FIG. 8
(Perspective)