



US00D765206S

(12) **United States Design Patent** (10) **Patent No.:** **US D765,206 S**
Li (45) **Date of Patent:** **** Aug. 30, 2016**

(54) **TENT**

(71) Applicant: **NINGBO LIXIN TOUR PRODUCTS CO., LTD.**, Ningbo, Zhejiang Province (CN)

(72) Inventor: **Cheng Li**, Vancouver (CA)

(73) Assignee: **NINGBO LIXIN TOUR PRODUCTS CO., LTD.**, Ningbo, Zhejiang Province (CN)

(**) Term: **15 Years**

(21) Appl. No.: **29/529,079**

(22) Filed: **Jun. 3, 2015**

(30) **Foreign Application Priority Data**

Dec. 30, 2014 (CN) 2014 3 0559800

(51) **LOC (10) Cl.** **21-04**

(52) **U.S. Cl.**
USPC **D21/834**; D21/835

(58) **Field of Classification Search**
USPC D21/834, 838, 839; D6/389, 382, 602, D6/606, 610, 616; 135/90, 96, 124-126, 135/137; 5/414, 424
CPC E04H 15/06; E04H 15/20; E04H 15/32; E04H 15/324; E04H 15/40; A47C 21/00; A47C 21/08; A47C 29/00

See application file for complete search history.

(56) **References Cited**

U.S. PATENT DOCUMENTS

4,197,681	A *	4/1980	Holcombe	E04H 15/20 135/119
D263,985	S *	4/1982	Moss	D21/838
4,590,956	A *	5/1986	Griesenbeck	E04H 15/40 135/116
D331,441	S *	12/1992	Choi	D21/838
D396,086	S *	7/1998	Cantwell	D21/838
D397,399	S *	8/1998	Bury	D21/834
D397,400	S *	8/1998	Bury	D21/834
7,174,584	B2 *	2/2007	Danaher	E04H 15/40 135/126
2008/0210282	A1 *	9/2008	Turcot	E04H 15/06 135/88.14

* cited by examiner

Primary Examiner — Cynthia M Chin

(74) *Attorney, Agent, or Firm* — Muncy, Geissler, Olds & Lowe, P.C.

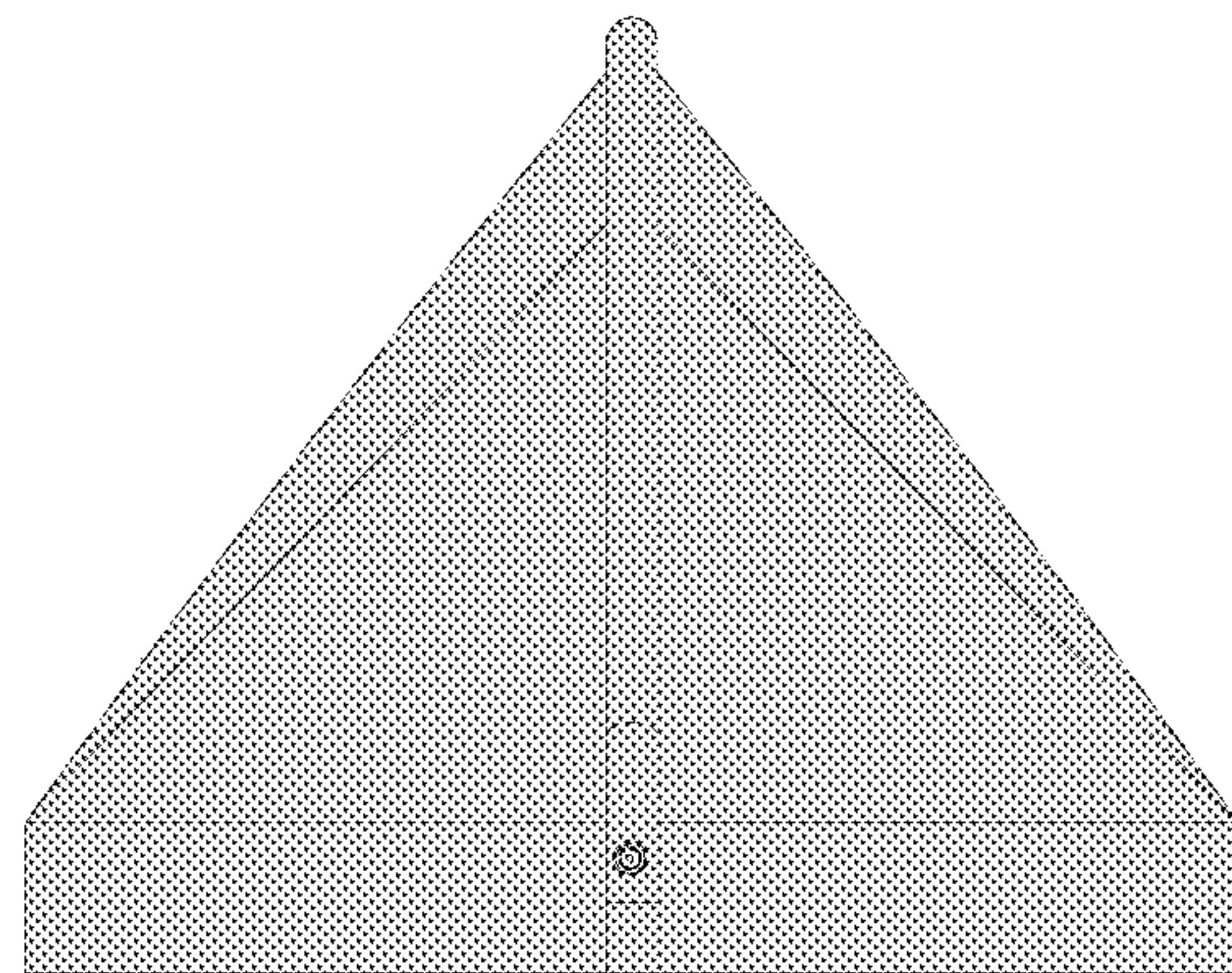
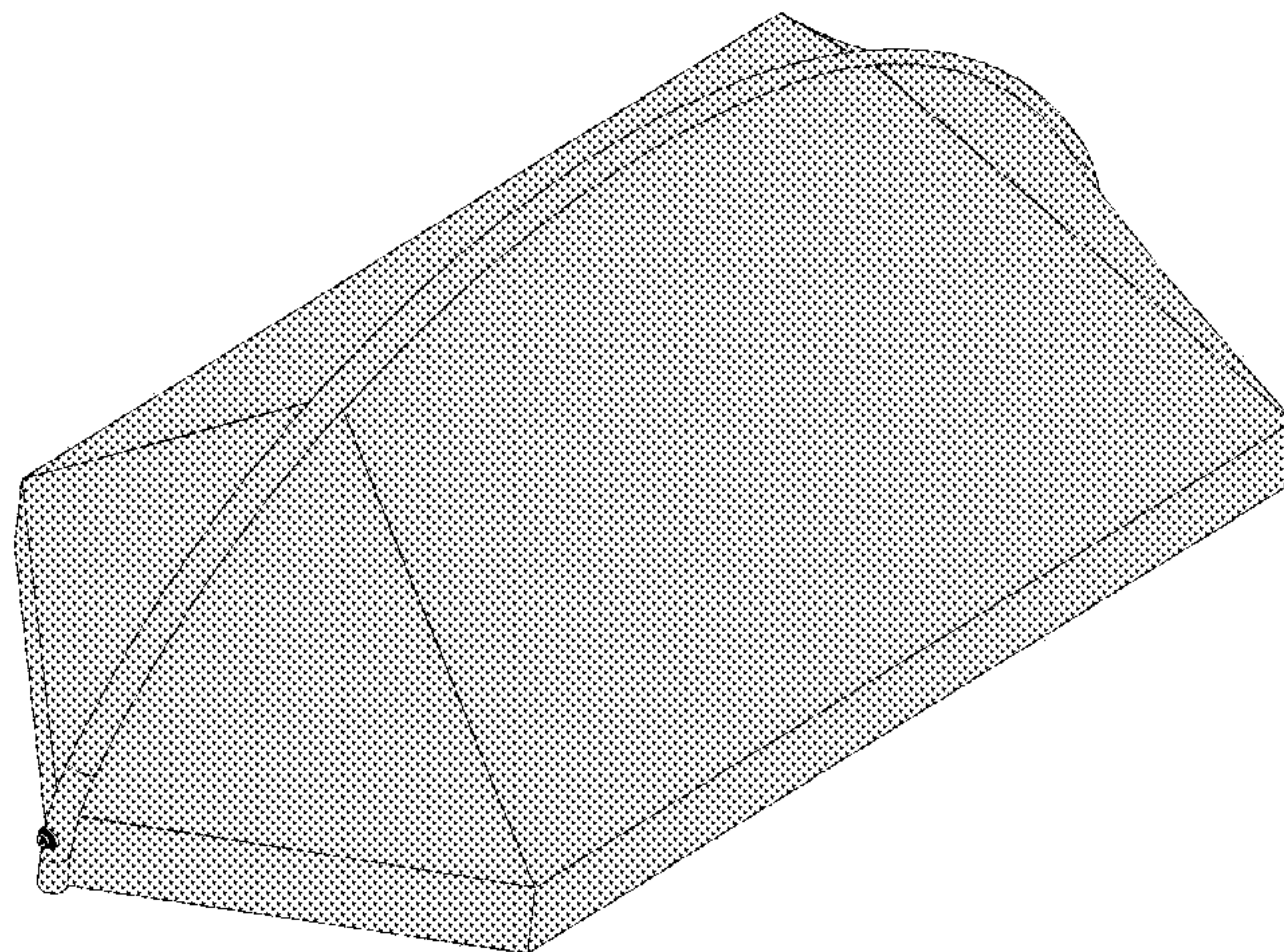
(57) **CLAIM**

The ornamental design for a tent, as shown and described.

DESCRIPTION

FIG. 1 is a perspective view of a tent showing my new design;
FIG. 2 is a front elevational view thereof;
FIG. 3 is a rear elevational view thereof;
FIG. 4 is a left side view thereof;
FIG. 5 is a right side view thereof;
FIG. 6 is a top plan view thereof; and,
FIG. 7 is a bottom plan view thereof.

1 Claim, 7 Drawing Sheets



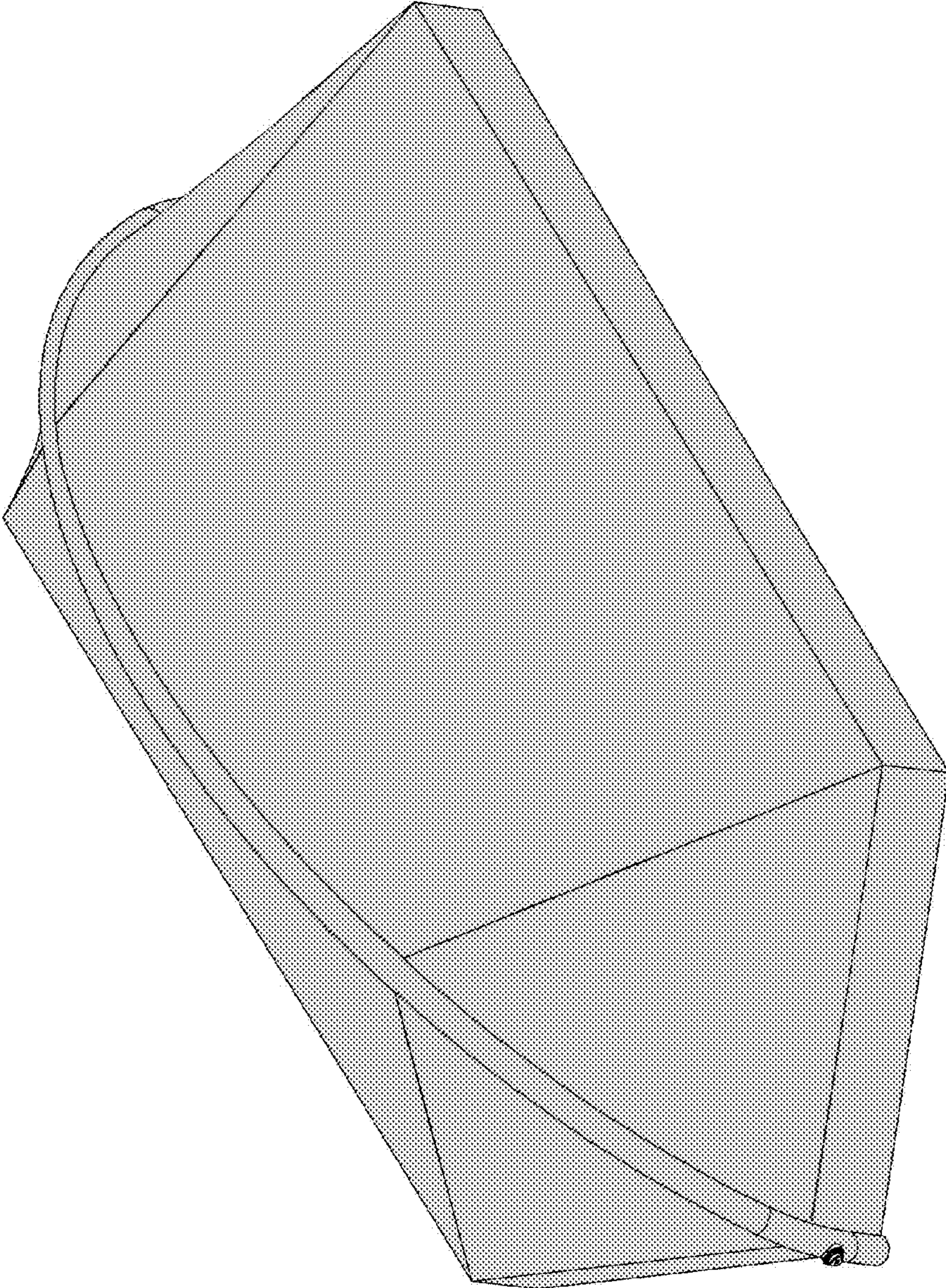


FIG. 1

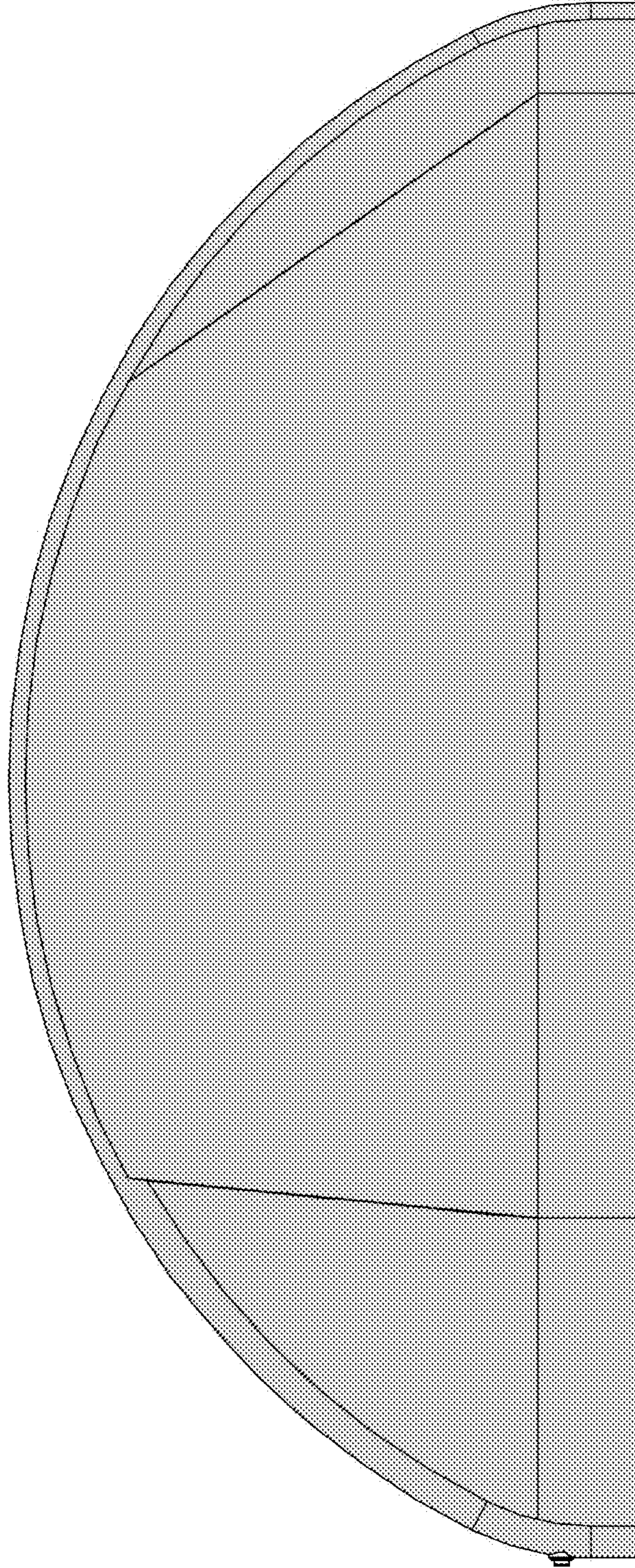


FIG. 2

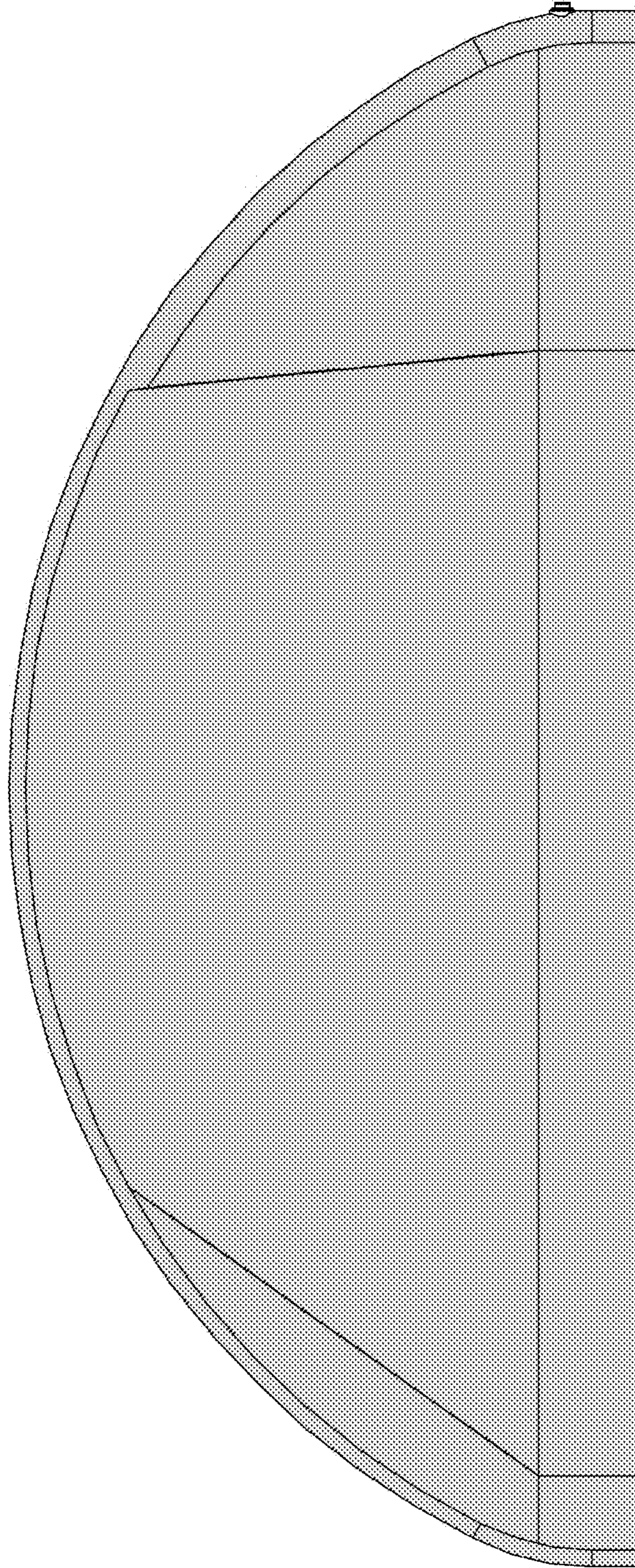


FIG. 3

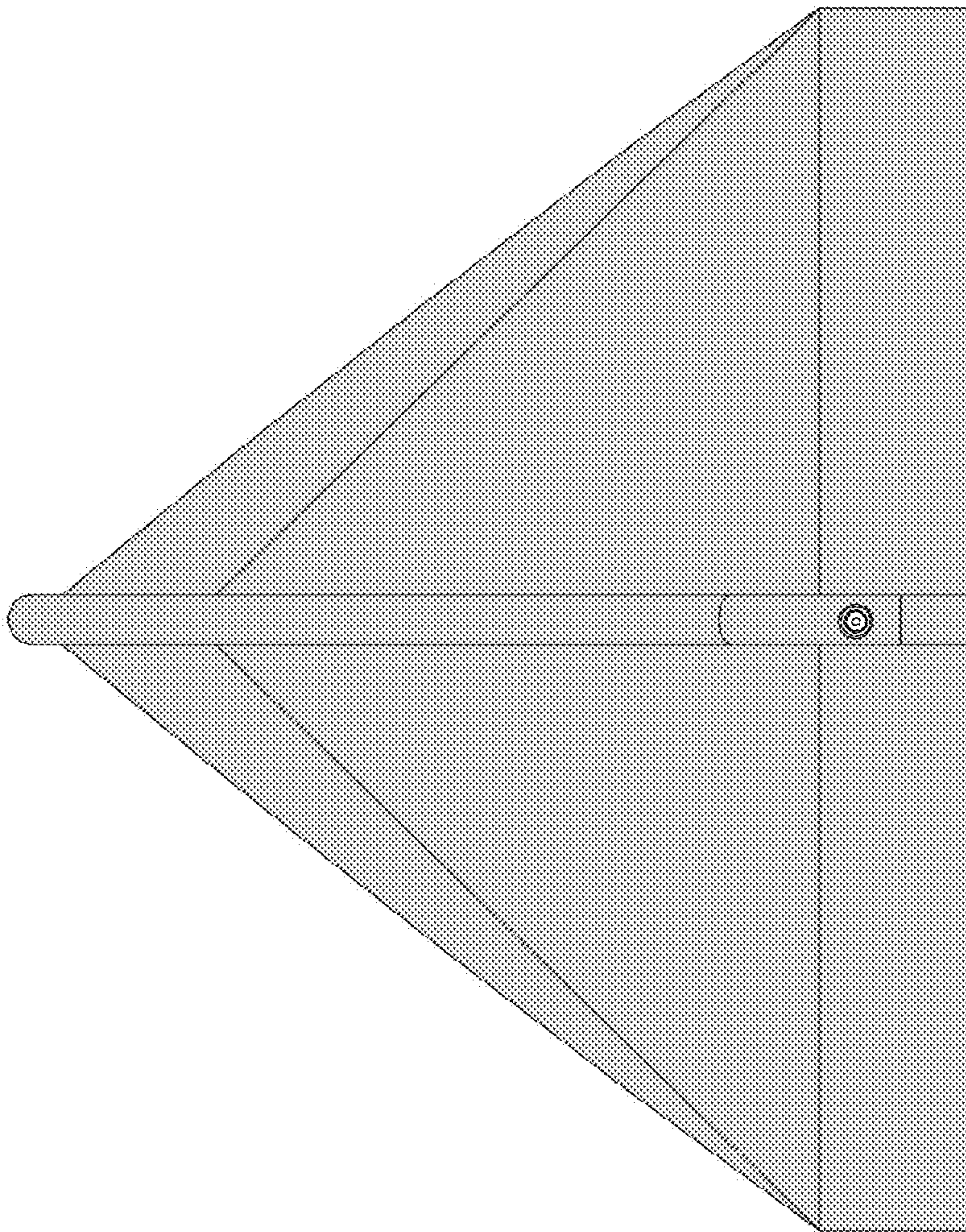


FIG. 4

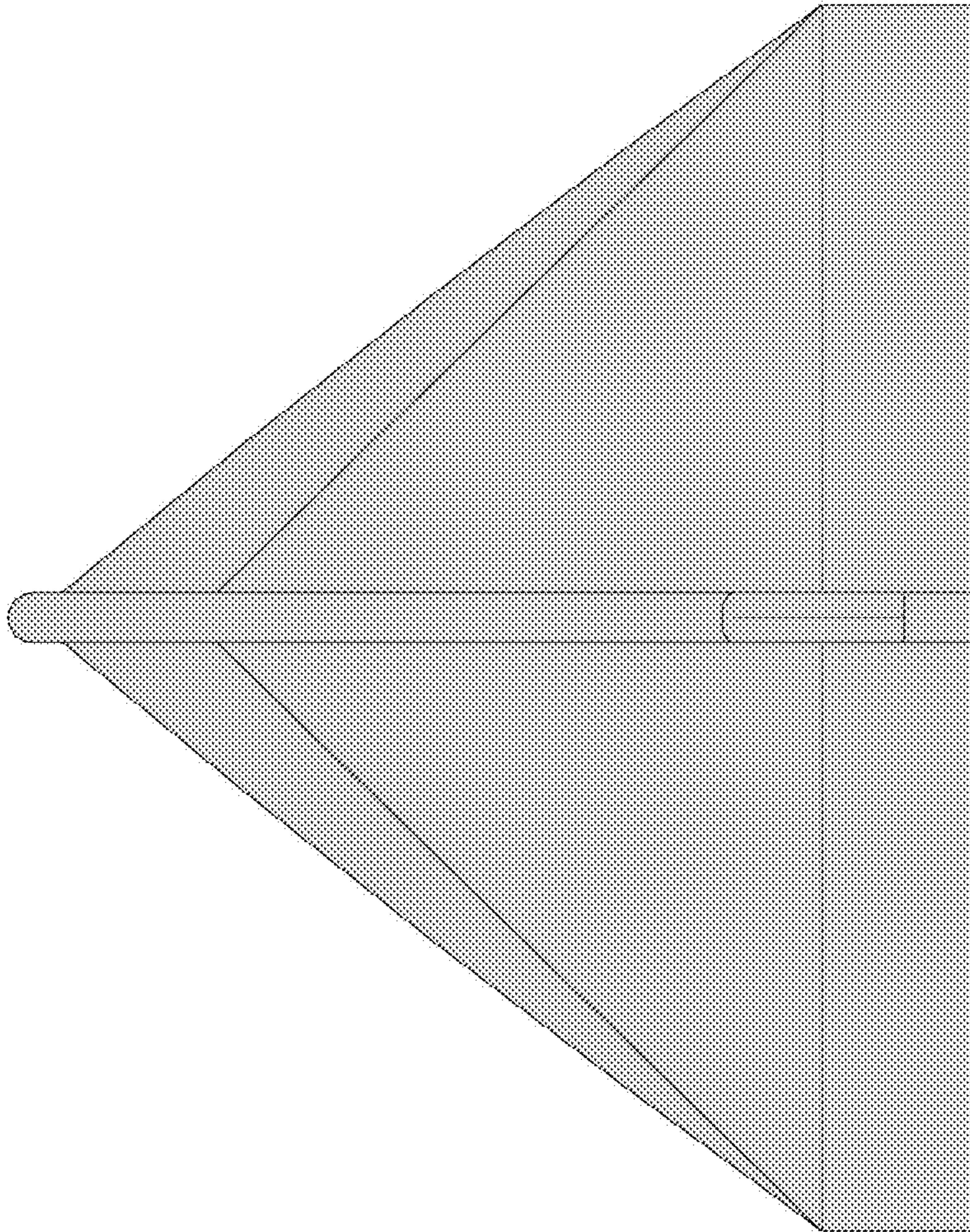


FIG. 5

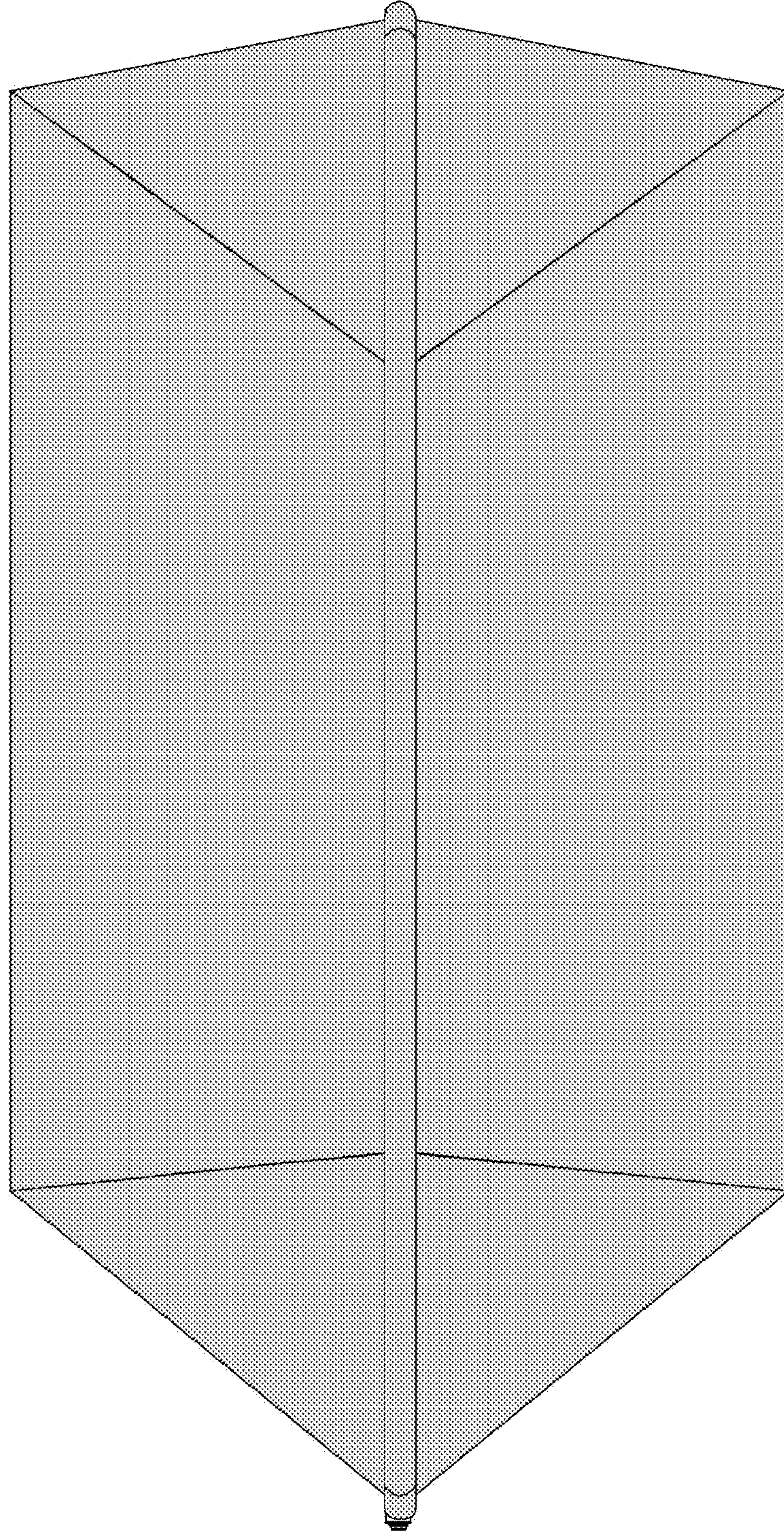


FIG. 6

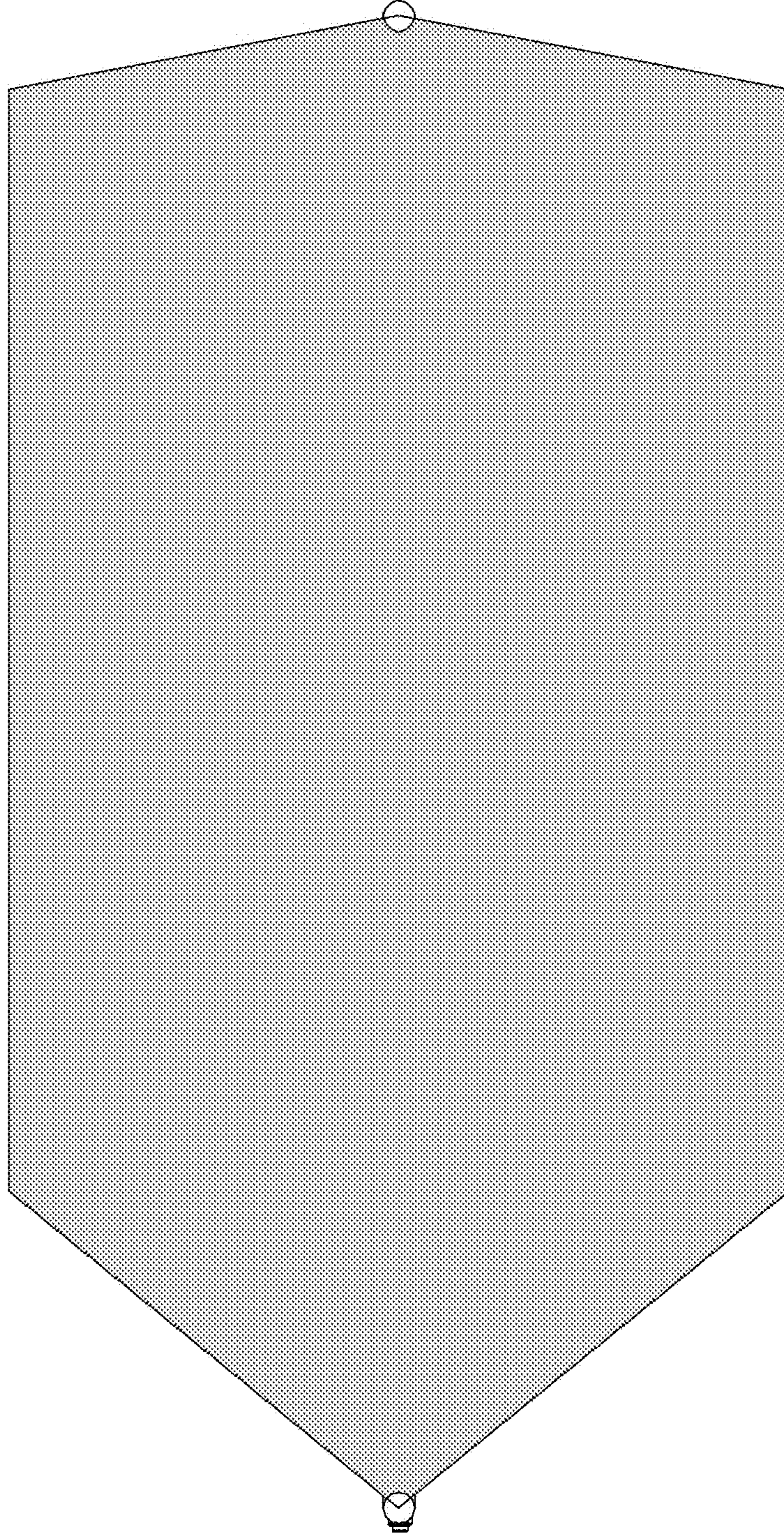


FIG. 7