



US00D765198S

(12) **United States Design Patent** (10) **Patent No.:** **US D765,198 S**
Cardani (45) **Date of Patent:** **** Aug. 30, 2016**

(54) **GOLF CLUB HEAD FOR A PUTTER**

(71) Applicant: **NIKE, Inc.**, Beaverton, OR (US)

(72) Inventor: **Jason Cardani**, Portland, OR (US)

(73) Assignee: **NIKE, Inc.**, Beaverton, OR (US)

(**) Term: **14 Years**

(21) Appl. No.: **29/525,349**

(22) Filed: **Apr. 29, 2015**

(51) **LOC (10) Cl.** **21-02**

(52) **U.S. Cl.**
USPC **D21/759**

(58) **Field of Classification Search**
USPC D21/736-746, 759, 752
CPC A63B 53/00; A63B 53/04; A63B 53/007;
A63B 53/065; A63B 53/0487
See application file for complete search history.

(56) **References Cited**

U.S. PATENT DOCUMENTS

D428,457 S	7/2000	Rollinson et al.	
D449,085 S	10/2001	Breier et al.	
D472,949 S	4/2003	Serrano	
D486,872 S	2/2004	Schweigert et al.	
D510,395 S *	10/2005	Miraflor	D21/759
D515,647 S	2/2006	Morgulis	
D526,035 S	8/2006	Hueber	
D529,564 S *	10/2006	Grace	D21/759
D547,403 S	7/2007	Serrano et al.	
D564,609 S	3/2008	Oldknow et al.	
7,390,267 B2	6/2008	Grace	
D574,456 S *	8/2008	Chen	D21/759
D583,886 S	12/2008	Cameron	
D585,511 S *	1/2009	Cameron	D21/743
D588,657 S	3/2009	Hettinger et al.	
D591,806 S	5/2009	Cameron	
D634,381 S	3/2011	Cardani	
D634,801 S	3/2011	Rollinson	
D635,625 S	4/2011	Rollinson	

D641,057 S	7/2011	Rollinson	
D641,442 S	7/2011	Rollinson	
D642,643 S *	8/2011	Nicolette	D21/759
D648,407 S *	11/2011	Teramoto	D21/743
D648,408 S	11/2011	Teramoto	
D650,457 S	12/2011	Rollinson	
D650,458 S	12/2011	Rollinson	
D652,092 S	1/2012	Rollinson	
D661,754 S *	6/2012	Cameron	D21/759
D673,630 S *	1/2013	Schweigert	D21/752
D673,632 S *	1/2013	Schweigert	D21/759
D680,179 S *	4/2013	Solheim	D21/752

(Continued)

OTHER PUBLICATIONS

Edwin Watts Golf Catalog, Spring 2010; pp. 7, published Spring 2010.

(Continued)

Primary Examiner — Mitchell Siegel

(74) *Attorney, Agent, or Firm* — Banner & Witcoff, Ltd.

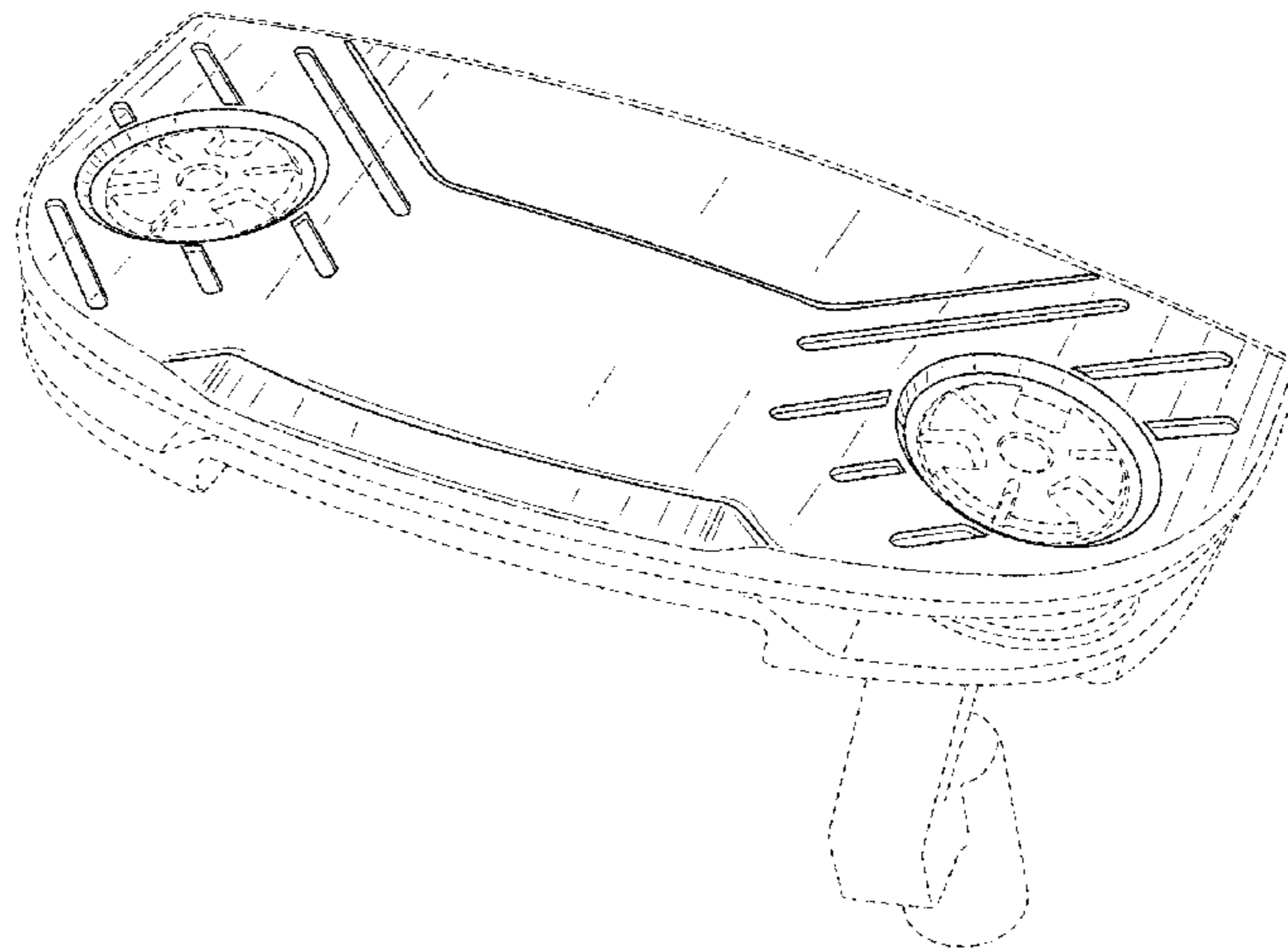
(57) **CLAIM**

The ornamental design for a golf club head for a putter, as shown and described.

DESCRIPTION

FIG. 1 is a bottom perspective view of a golf club head for a putter showing my new design; FIG. 2 is a bottom view thereof; FIG. 3 is a rear view thereof; FIG. 4 is a toe end view thereof; and, FIG. 5 is a heel end view thereof. The broken lines immediately adjacent to the shaded area represent unclaimed boundaries of the design. The unshaded regions within or adjacent to the shaded area form no part of the claimed design. The broken lines showing the remainder of the golf club are for environmental purposes only and form no part of the claimed design.

1 Claim, 3 Drawing Sheets



(56)

References Cited

U.S. PATENT DOCUMENTS

D688,762 S 8/2013 Hilton et al.
D690,378 S 9/2013 Rollinson
D696,739 S * 12/2013 Stokke D21/759
8,608,587 B2 * 12/2013 Henrikson A63B 53/0466
473/324
D699,308 S 2/2014 Rollinson
D707,771 S * 6/2014 Cameron D21/759
D714,894 S * 10/2014 Tang D21/759
D720,023 S 12/2014 Rollinson
D720,024 S 12/2014 Rollinson

D720,418 S * 12/2014 Chen D21/759
D730,464 S * 5/2015 Cameron D21/743
D730,465 S * 5/2015 Cameron D21/759
2015/0080147 A1 3/2015 Cameron
2015/0080148 A1 3/2015 Cameron

OTHER PUBLICATIONS

Golfsmith Catalog, Spring 2010; pp. 25, published Spring 2010.
Golfsmith Catalog, Spring 2010; pp. 29, published Spring 2010.
Golfsmith Catalog, Spring 2010; pp. 34, published Spring 2010.

* cited by examiner

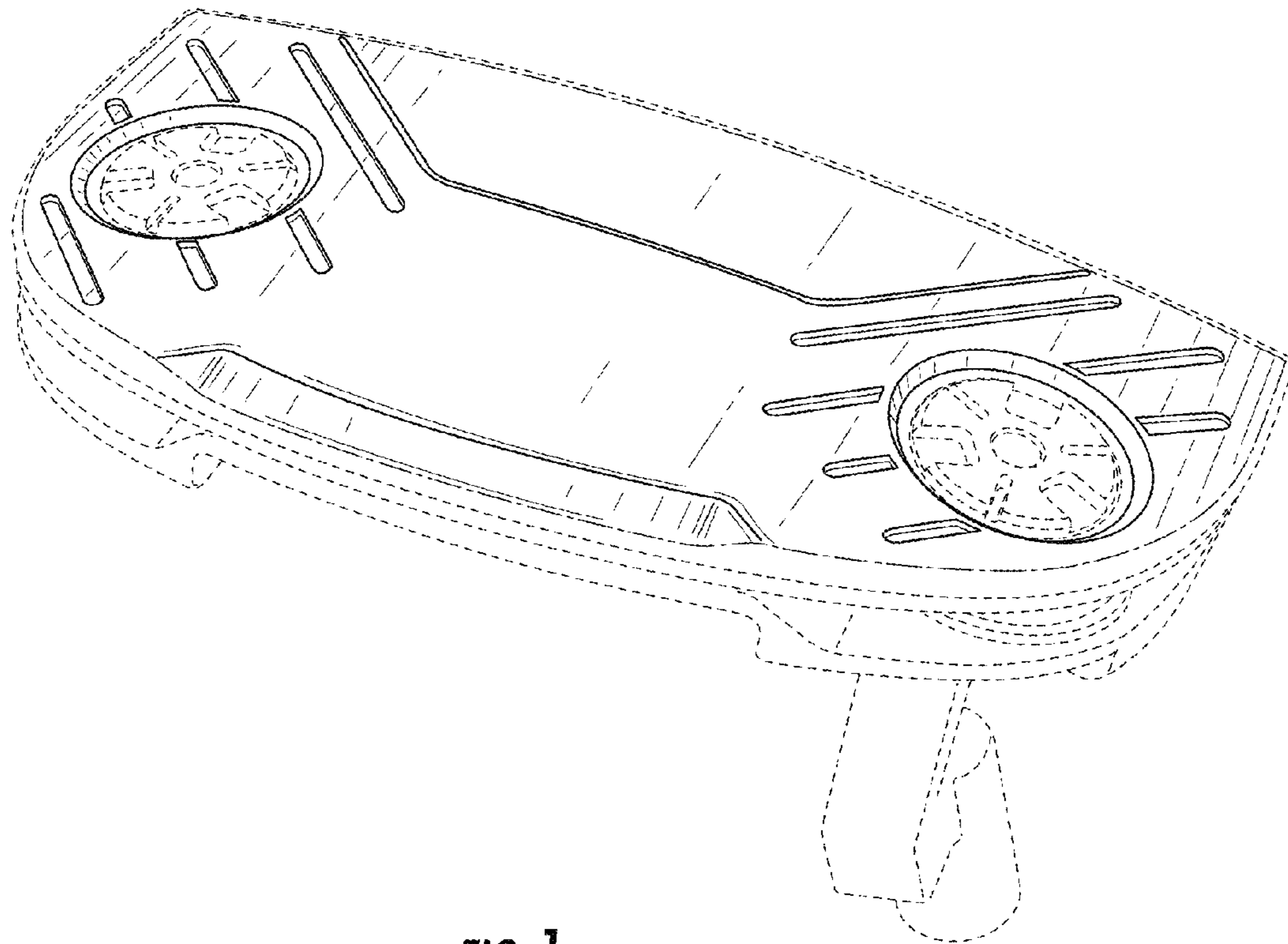


FIG. 1

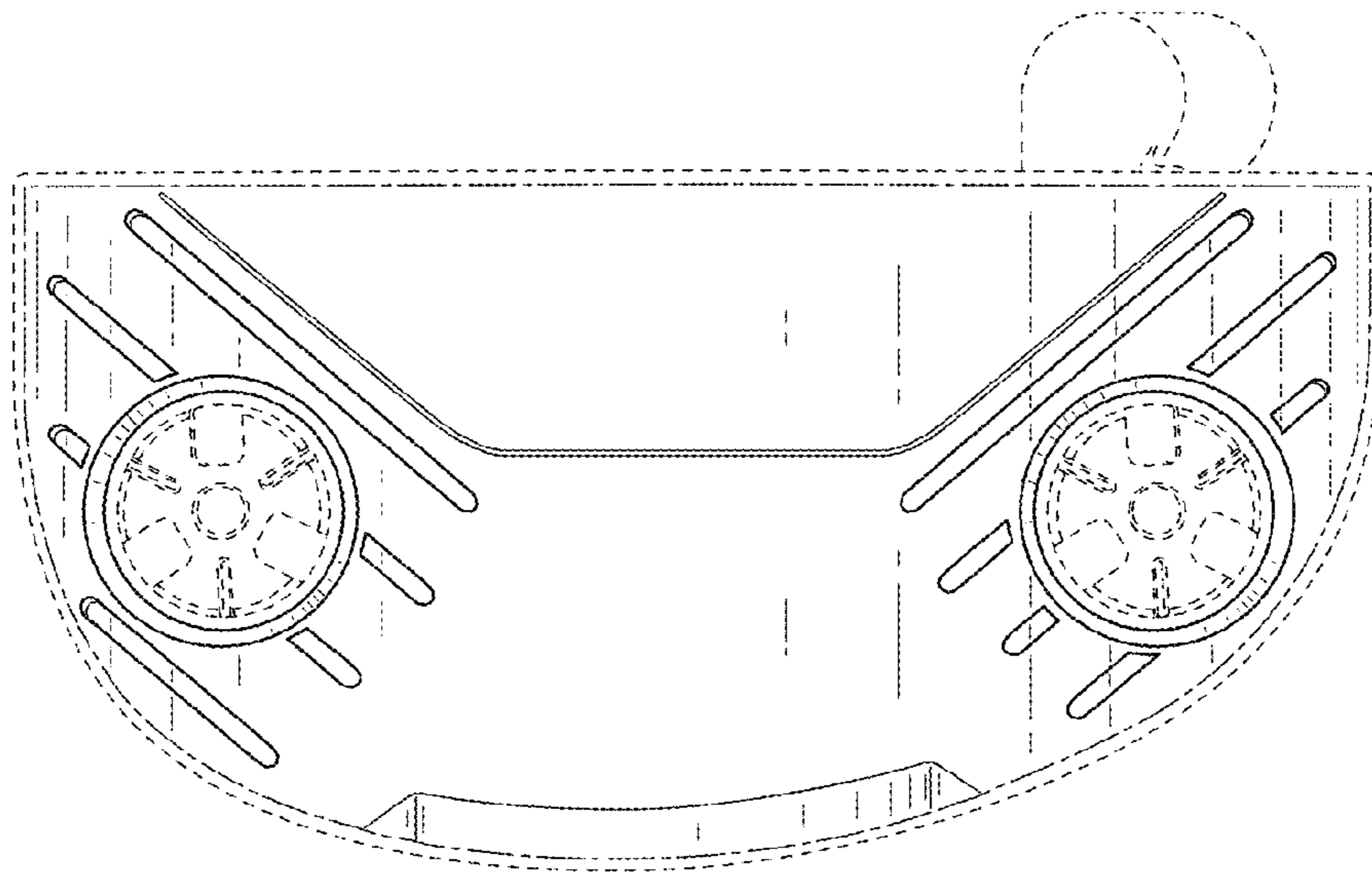


FIG. 2

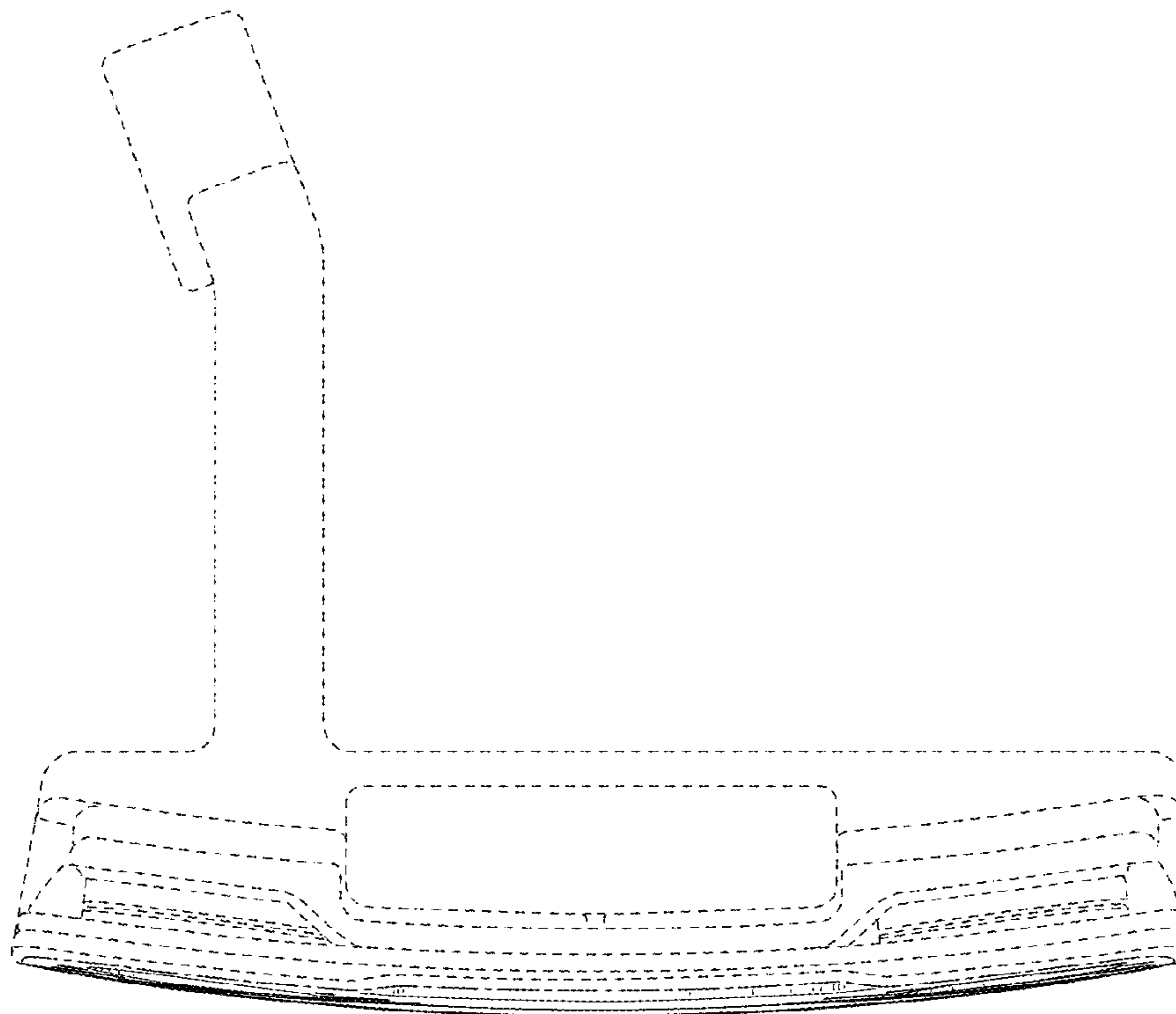


FIG. 3

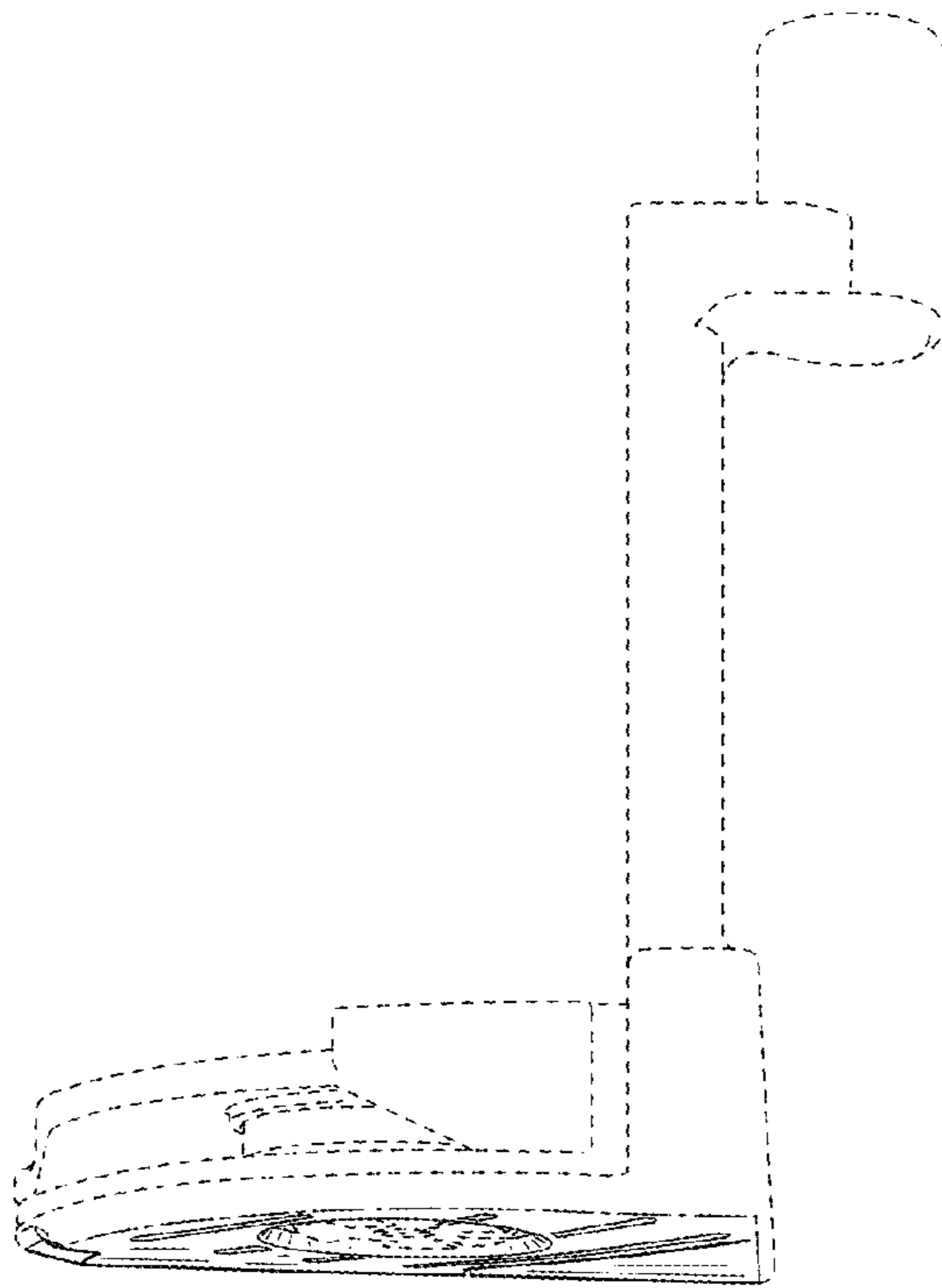


FIG. 4

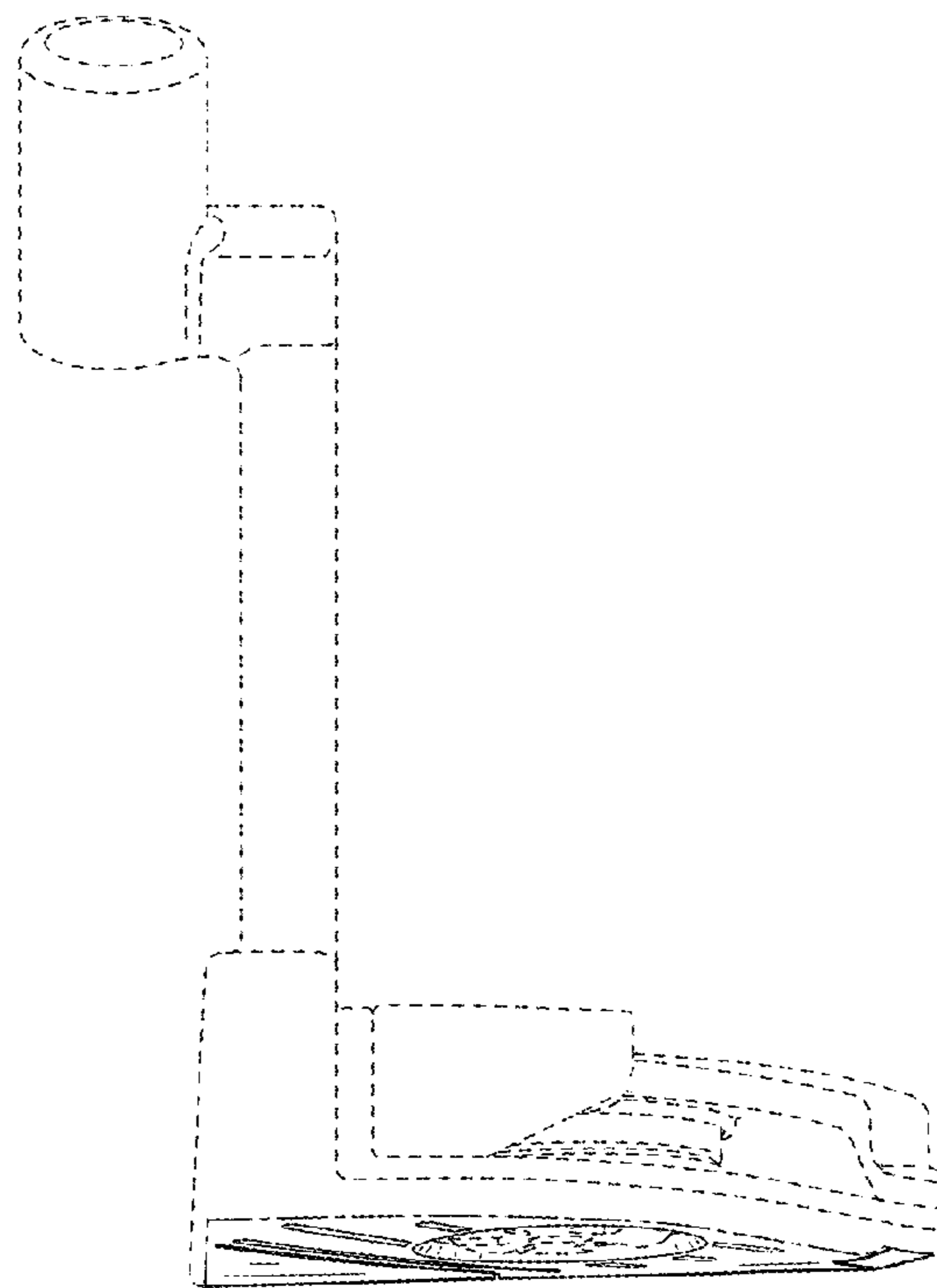


FIG. 5