



US00D765194S

(12) **United States Design Patent**
Tarnstrom et al.

(10) **Patent No.:** **US D765,194 S**
(45) **Date of Patent:** **** Aug. 30, 2016**

- (54) **HOCKEY TRAINING DEVICE**
- (71) Applicant: **Tarna AB**, Gustavsberg (SE)
- (72) Inventors: **Dick Tarnstrom**, Gustavsberg (SE);
Pelle Reinius, Gustavsberg (SE)
- (73) Assignee: **Tarna AB**, Gustavsberg (SE)
- (**) Term: **14 Years**
- (21) Appl. No.: **29/508,421**
- (22) Filed: **Nov. 6, 2014**

| | | | | | |
|--------------|------|---------|-----------|-------|-------------------------|
| 6,846,252 | B2 * | 1/2005 | Nudo | | A63B 47/002 473/278 |
| 6,939,273 | B2 * | 9/2005 | Zajac | | A63B 21/06 473/437 |
| 7,104,901 | B1 * | 9/2006 | Mason | | A63B 5/16 473/446 |
| 7,534,176 | B1 * | 5/2009 | McNary | | A63B 69/0026 273/400 |
| 7,621,829 | B2 * | 11/2009 | Barkume | | A63B 69/0026 473/446 |
| 8,469,841 | B1 * | 6/2013 | Giauque | | A63B 69/0026 473/164 |
| 8,769,742 | B2 * | 7/2014 | Thornton | | F03G 1/06 5/417 |
| 2002/0119845 | A1 * | 8/2002 | O'Farrell | | A63B 67/14 473/588 |
| 2014/0256476 | A1 * | 9/2014 | Sallinen | | A63B 69/0026 473/446 |

(30) **Foreign Application Priority Data**

May 7, 2014 (WO) WIPO37107

(51) **LOC (10) Cl.** **21-02**

(52) **U.S. Cl.**
USPC **D21/698**

(58) **Field of Classification Search**
USPC D21/698, 780, 781, 788, 791, 662, 671,
D21/686-689, 694, 789, 792, 797, 798,
D21/799.1, 800

CPC A63B 69/00; A63B 69/0024; A63B
69/0026; A63B 69/0059; A63B 69/3608;
A63B 2102/24; A63B 2243/0045; A63B
2210/50; A63B 2024/004; A63B 63/004

See application file for complete search history.

(56) **References Cited**

U.S. PATENT DOCUMENTS

| | | | | | |
|-----------|------|---------|------------|-------|-------------------------|
| 3,074,723 | A * | 1/1963 | Esty | | A63B 69/0059 128/881 |
| 3,955,815 | A * | 5/1976 | Deschesnes | | A63B 69/0091 473/144 |
| 5,076,571 | A * | 12/1991 | Croce, Jr. | | A63B 69/0022 472/90 |
| 5,800,312 | A * | 9/1998 | Ormondroyd | | A63B 22/20 482/51 |
| 6,364,790 | B1 * | 4/2002 | Carrie | | A63B 69/00 473/278 |
| D495,016 | S * | 8/2004 | Nudo | | D21/318 |

* cited by examiner

Primary Examiner — Catherine Tuttle

(74) *Attorney, Agent, or Firm* — Renner, Otto, Boisselle & Sklar, LLP

(57) **CLAIM**

The ornamental design for a hockey training device, as shown and described.

DESCRIPTION

FIG. 1 is a top perspective view of a hockey training device in a deployed configuration showing our new design.

FIG. 2 is a bottom perspective view thereof.

FIG. 3 is a front view thereof.

FIG. 4 is a rear view thereof.

FIG. 5 is a right side view thereof, a left side view being a mirror image of the right side view.

FIG. 6 is a top view thereof.

FIG. 7 is a bottom view thereof.

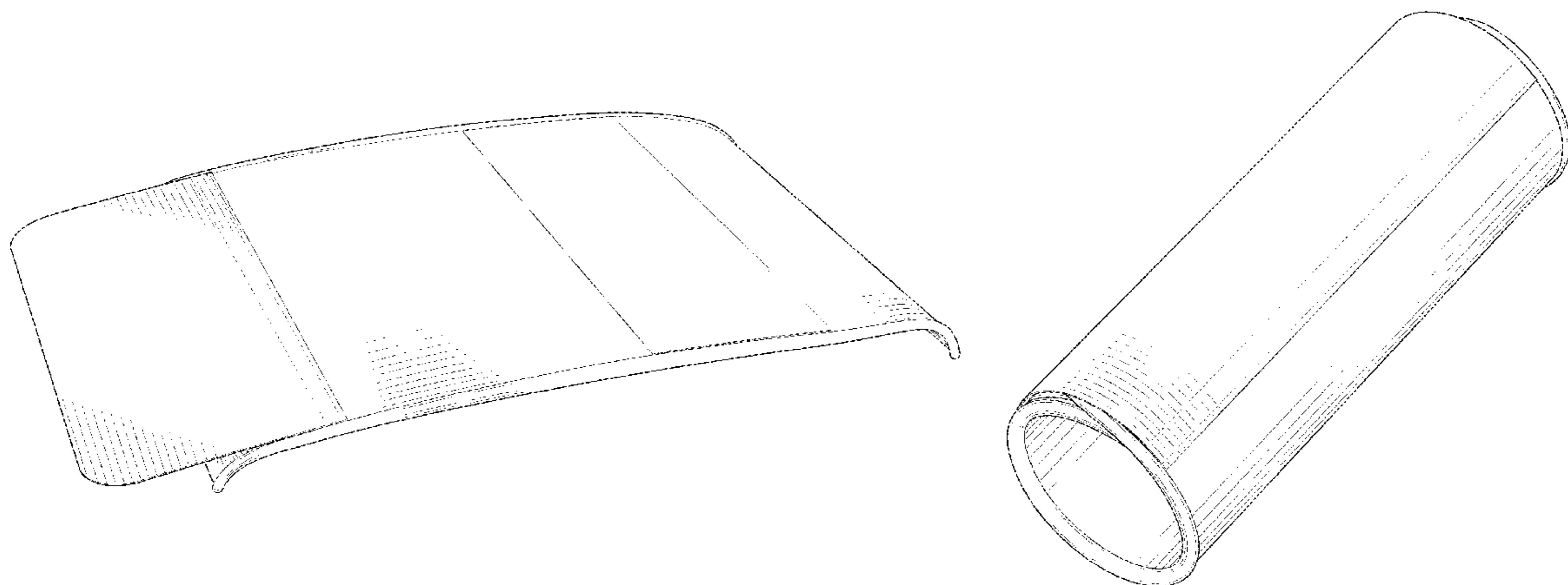
FIG. 8 is a perspective view of the hockey training device in a rolled configuration.

FIG. 9 is a top view thereof; and,

FIG. 10 is a right side view thereof, a left side view being a mirror image of the right side view.

The pair of parallel broken lines shown in FIGS. 1, 4, 6, 8 & 9 are a feature of the claimed design.

1 Claim, 10 Drawing Sheets



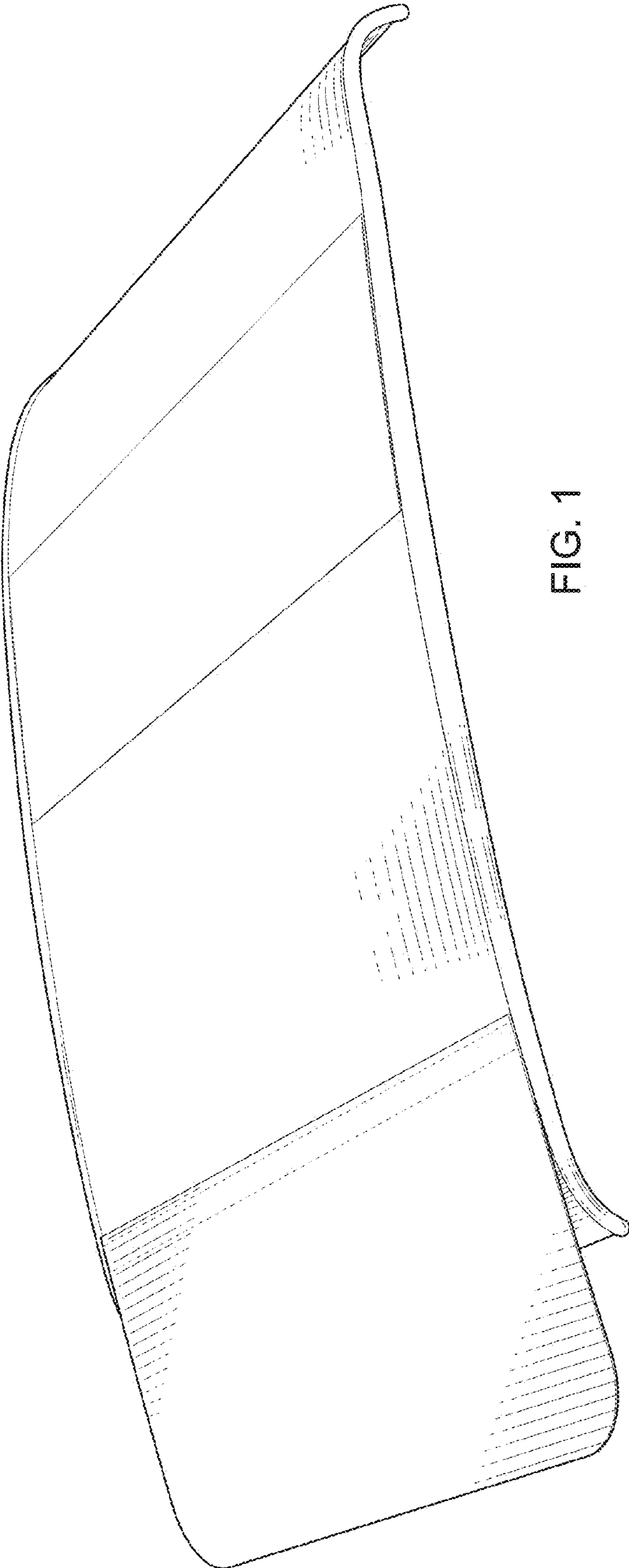


FIG. 1

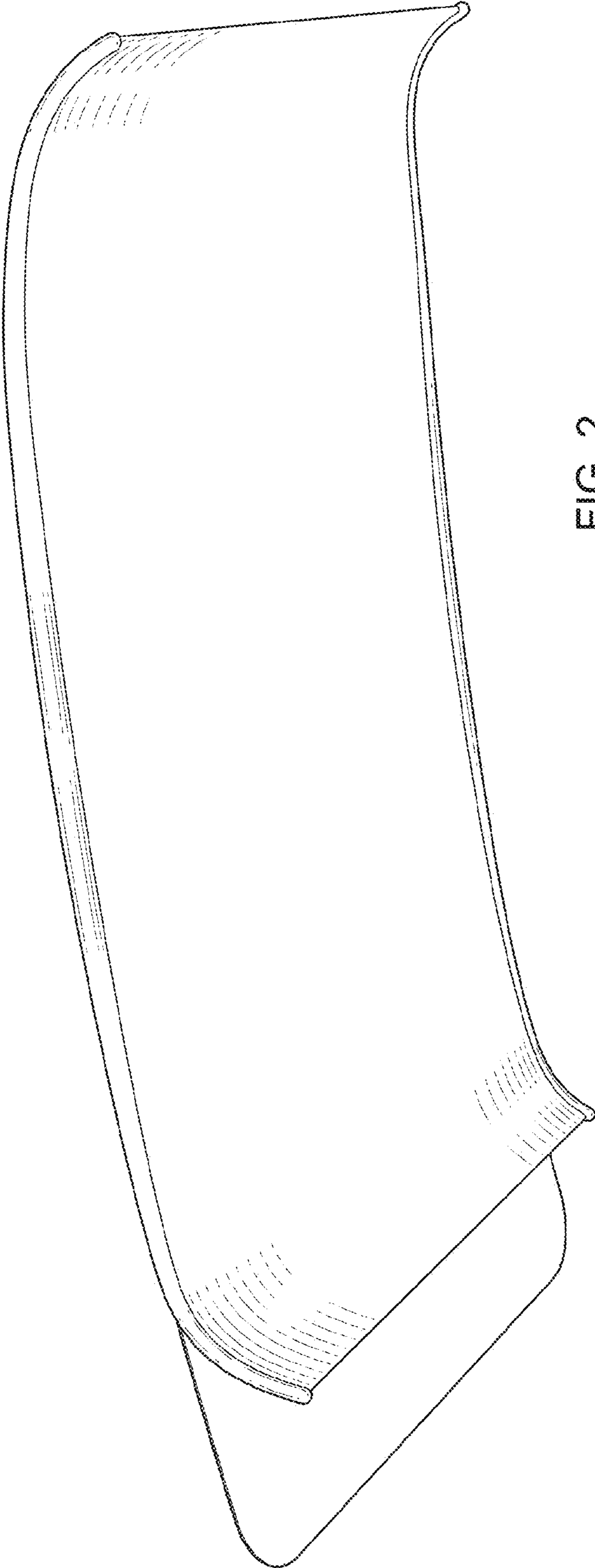


FIG. 2

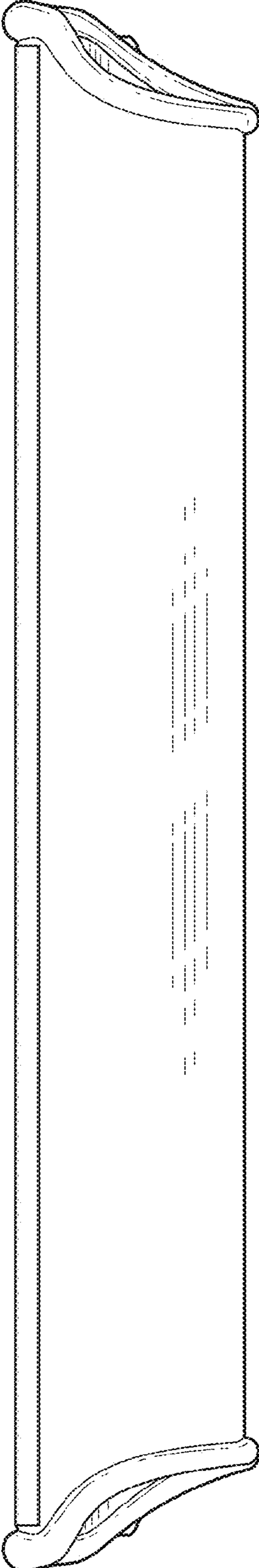


FIG. 3

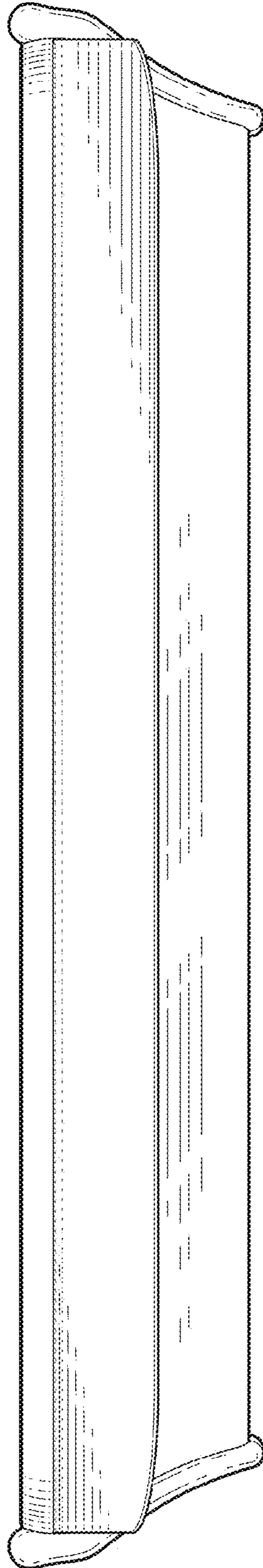


FIG. 4

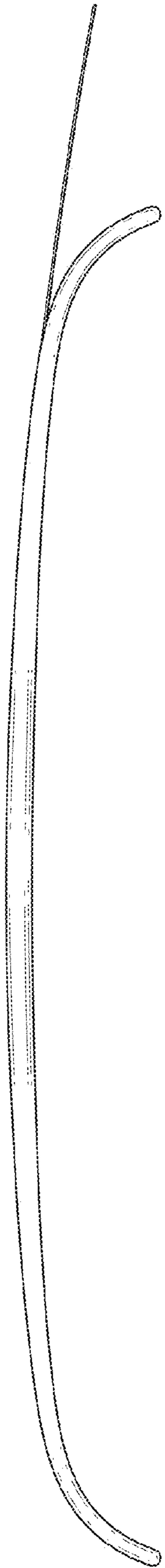


FIG. 5

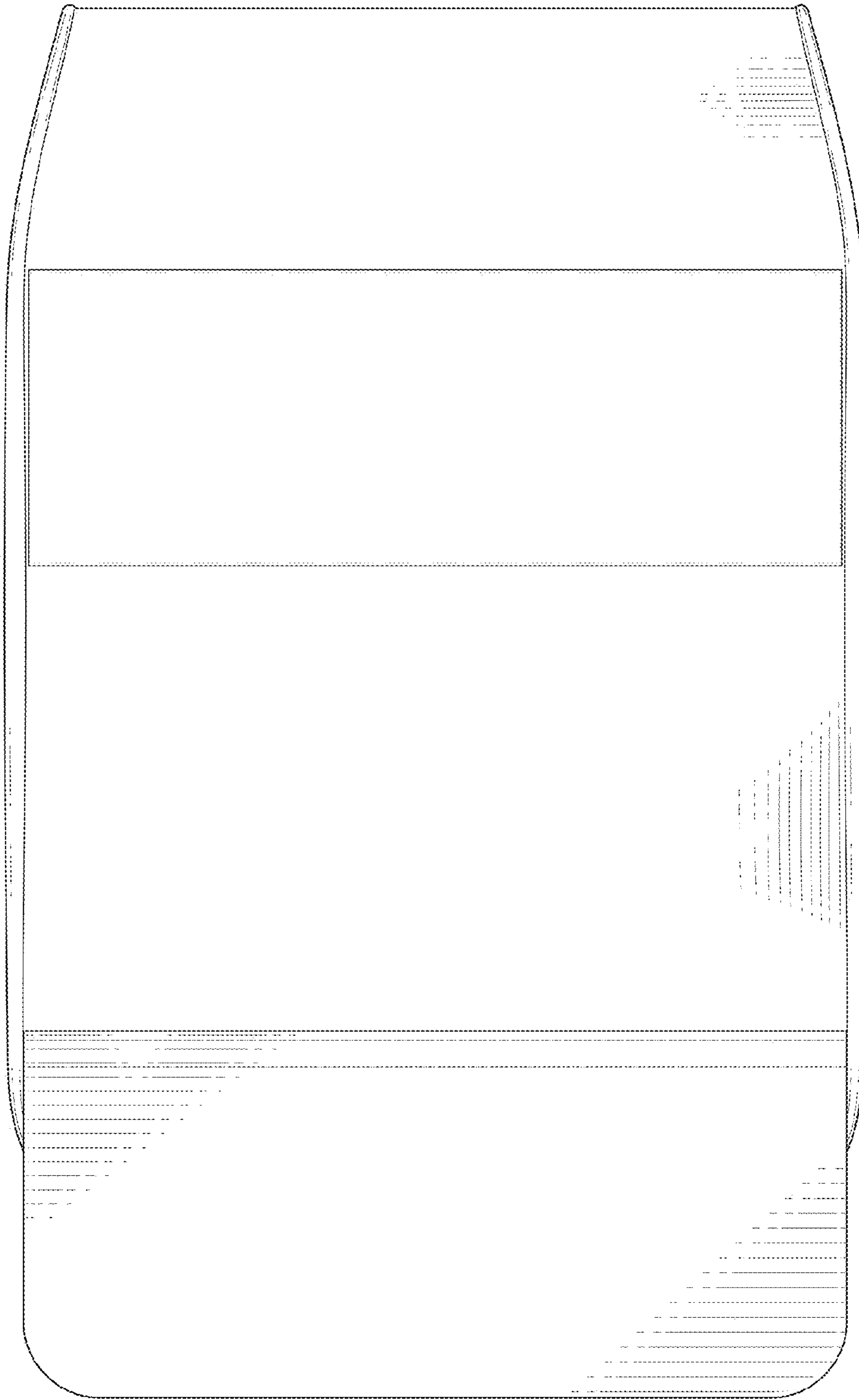


FIG. 6

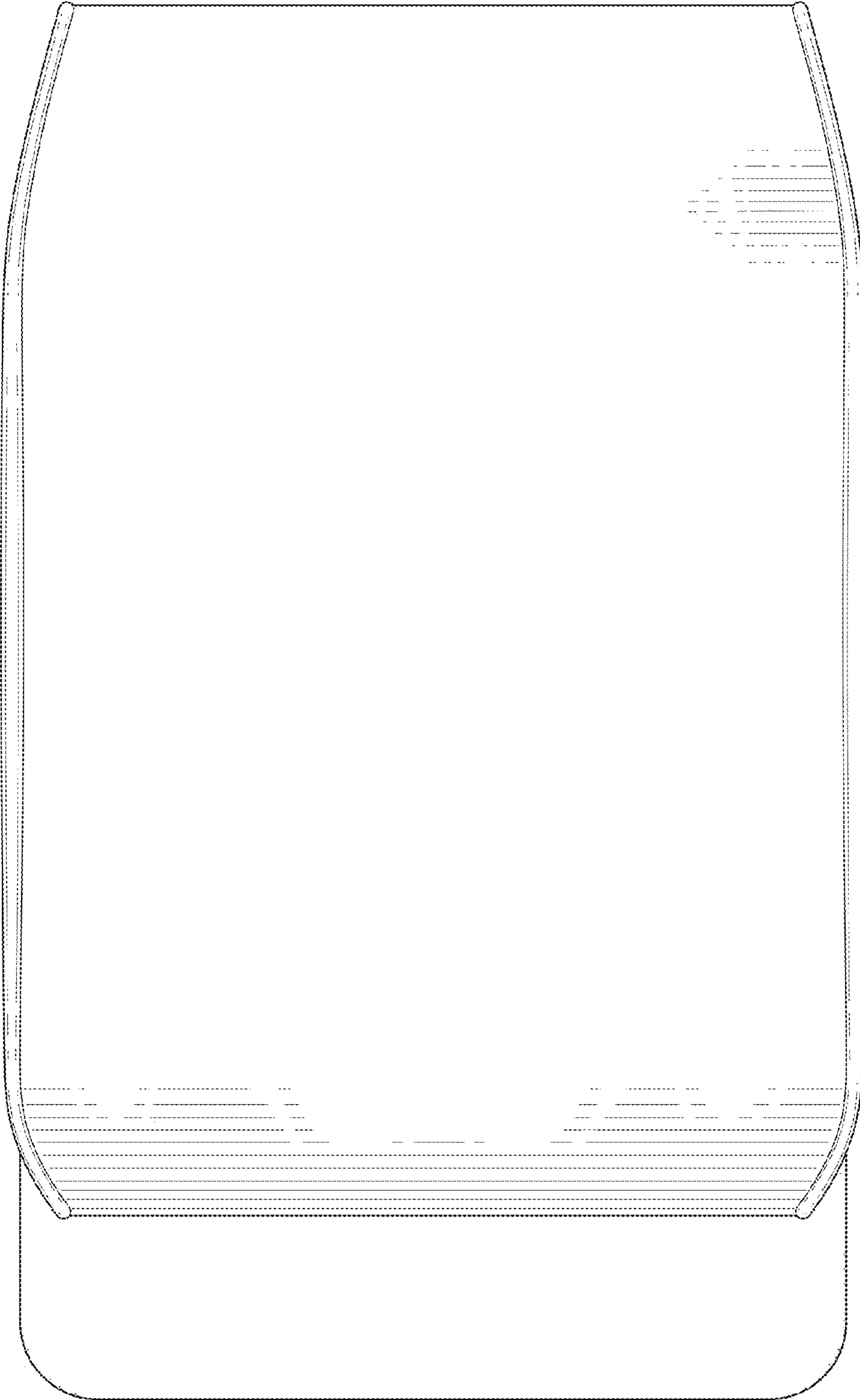


FIG. 7

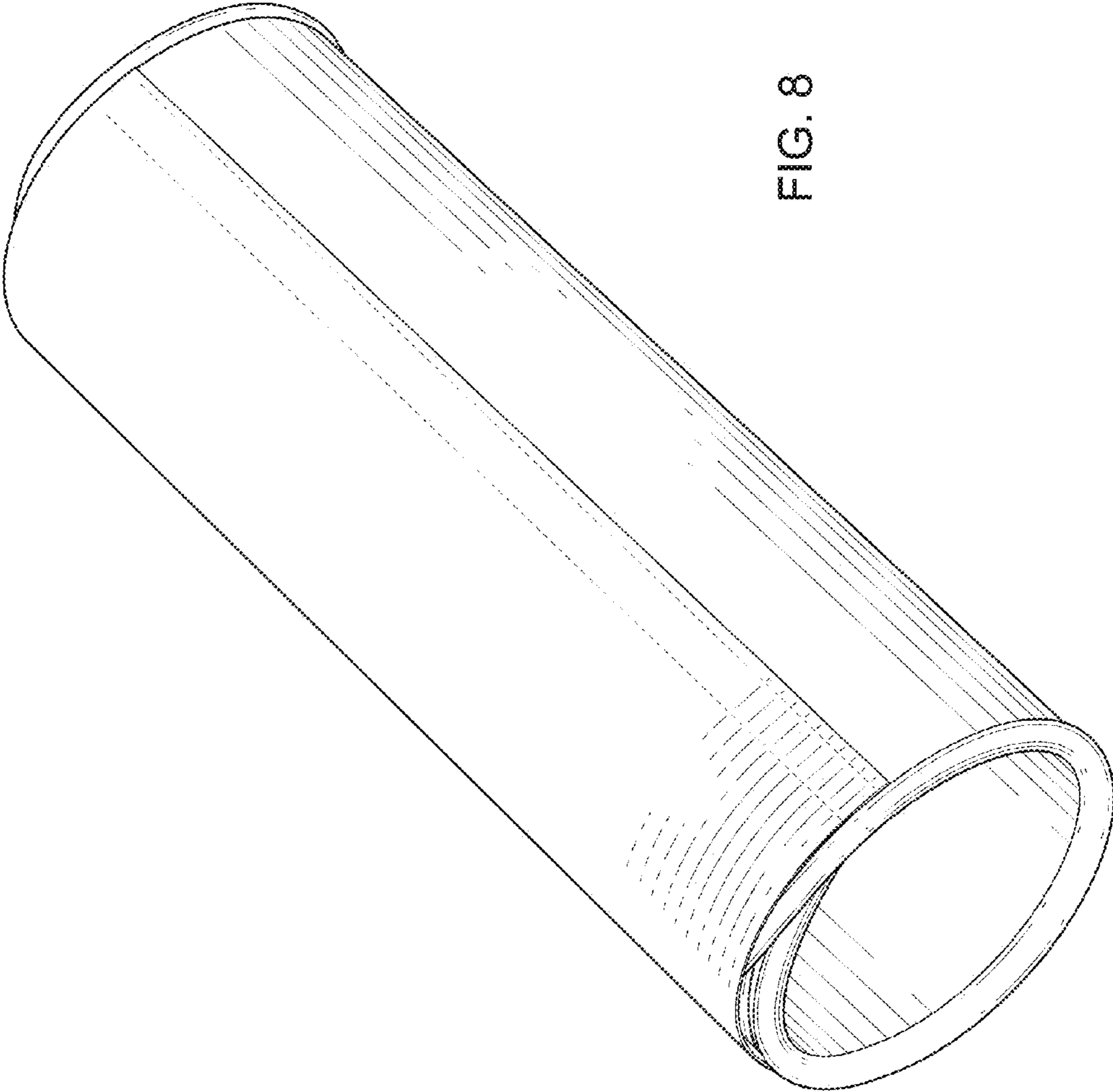


FIG. 8

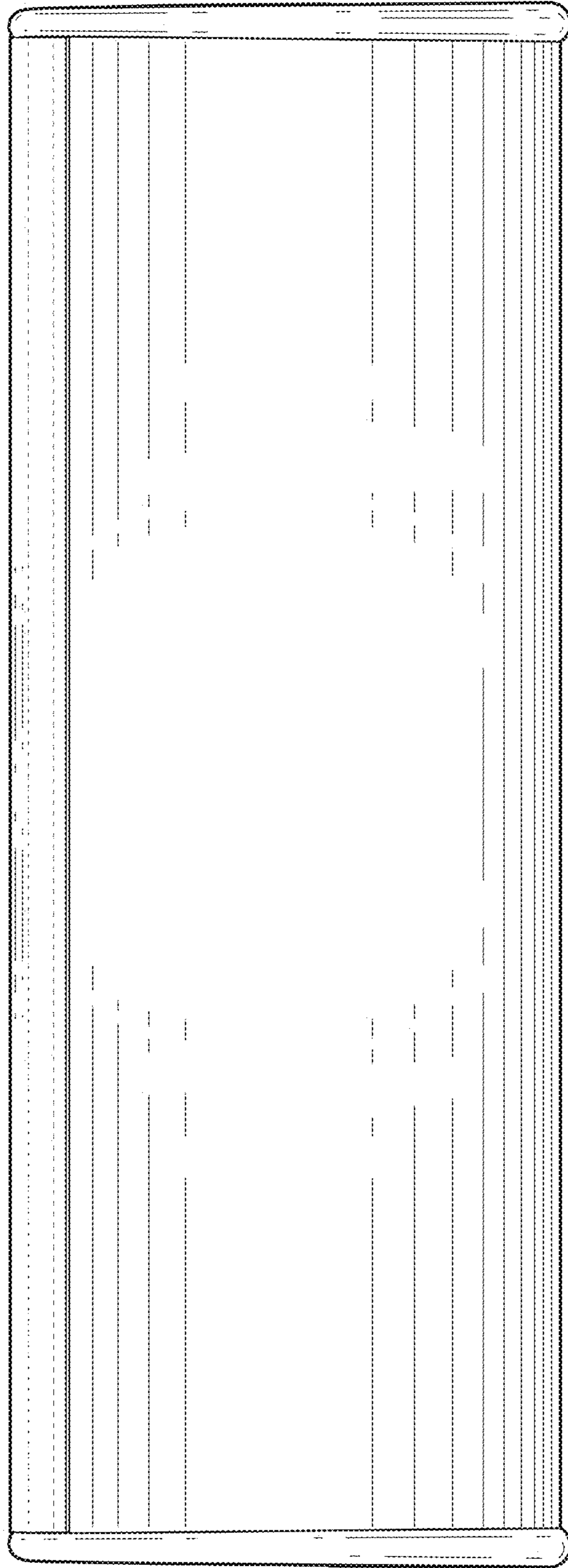


FIG. 9

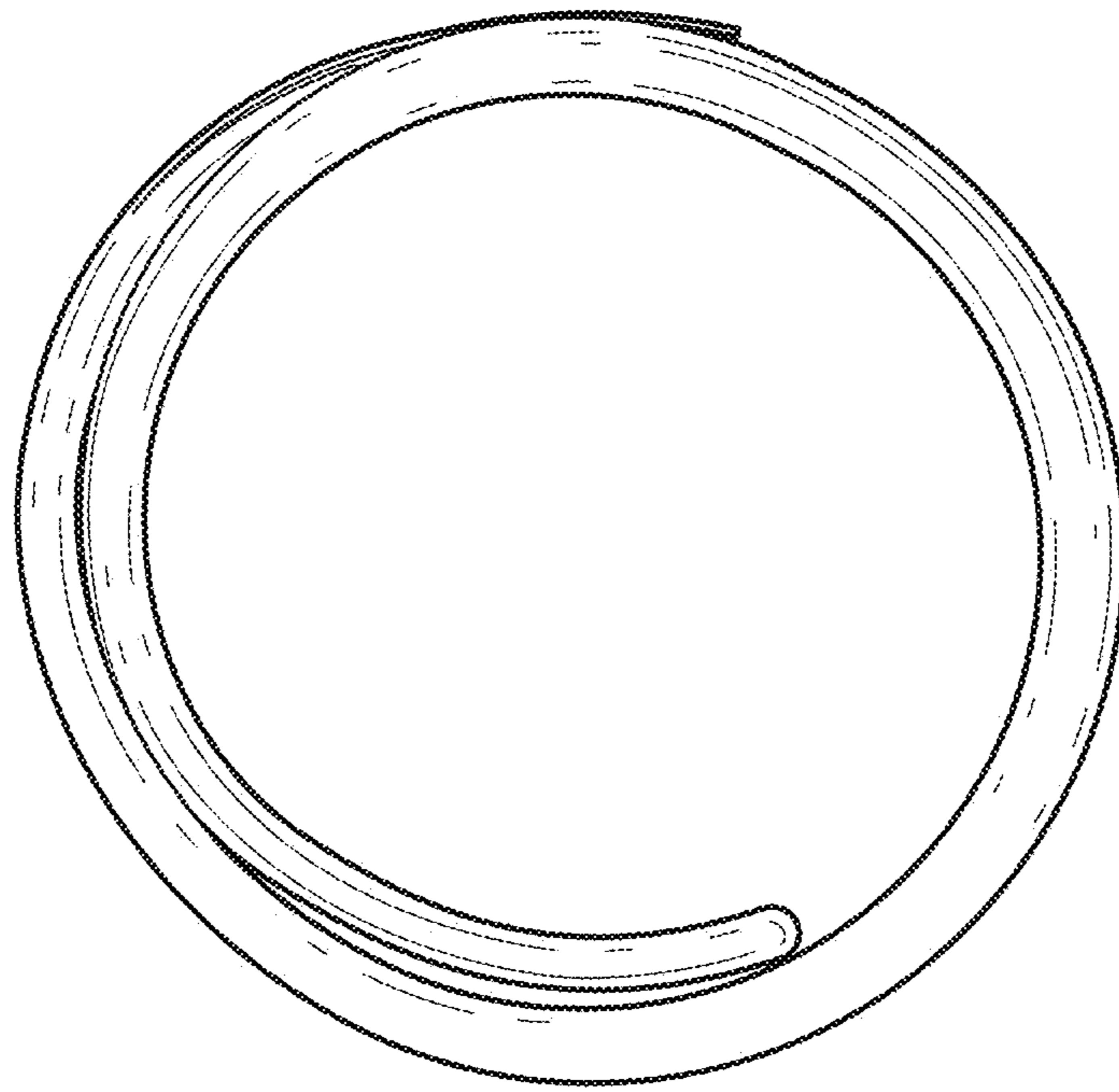


FIG. 10