



US00D765192S

(12) **United States Design Patent** (10) **Patent No.:** **US D765,192 S**  
**Scott** (45) **Date of Patent:** **\*\* Aug. 30, 2016**

(54) **TOY BASKETBALL FACE**

(71) Applicant: **Brad Scott**, London (CA)

(72) Inventor: **Brad Scott**, London (CA)

(\*\*) Term: **14 Years**

(21) Appl. No.: **29/522,438**

(22) Filed: **Mar. 31, 2015**

(51) **LOC (10) Cl.** ..... **21-01**

(52) **U.S. Cl.**  
USPC ..... **D21/659**

(58) **Field of Classification Search**  
USPC ..... D6/598; D11/158; D21/398, 576-588,  
D21/596, 658-661, 713-714; 446/368-369,  
446/376, 428, 487  
CPC ..... A63H 3/00; A63H 3/02; A63H 3/06;  
A63H 3/14; A63H 3/28; A63H 3/36; A63H  
33/00; A63H 33/003; A63H 33/004  
See application file for complete search history.

(56) **References Cited**

U.S. PATENT DOCUMENTS

D135,069 S \* 2/1943 Sommersett ..... D21/588  
D306,823 S \* 3/1990 Ferrero ..... D21/596  
5,350,333 A \* 9/1994 Croyle ..... A63H 3/04  
446/370

D424,256 S \* 5/2000 Lindgren ..... D21/714  
D452,286 S \* 12/2001 Amason ..... D21/714  
D544,654 S \* 6/2007 Hass ..... D21/596  
D632,999 S \* 2/2011 Yeh ..... D11/158  
D656,205 S \* 3/2012 Scott ..... D21/658  
D695,854 S \* 12/2013 Scott ..... D21/596

\* cited by examiner

*Primary Examiner* — Sandra Morris

(74) *Attorney, Agent, or Firm* — Dunlap Bennett & Ludwig  
PLLC

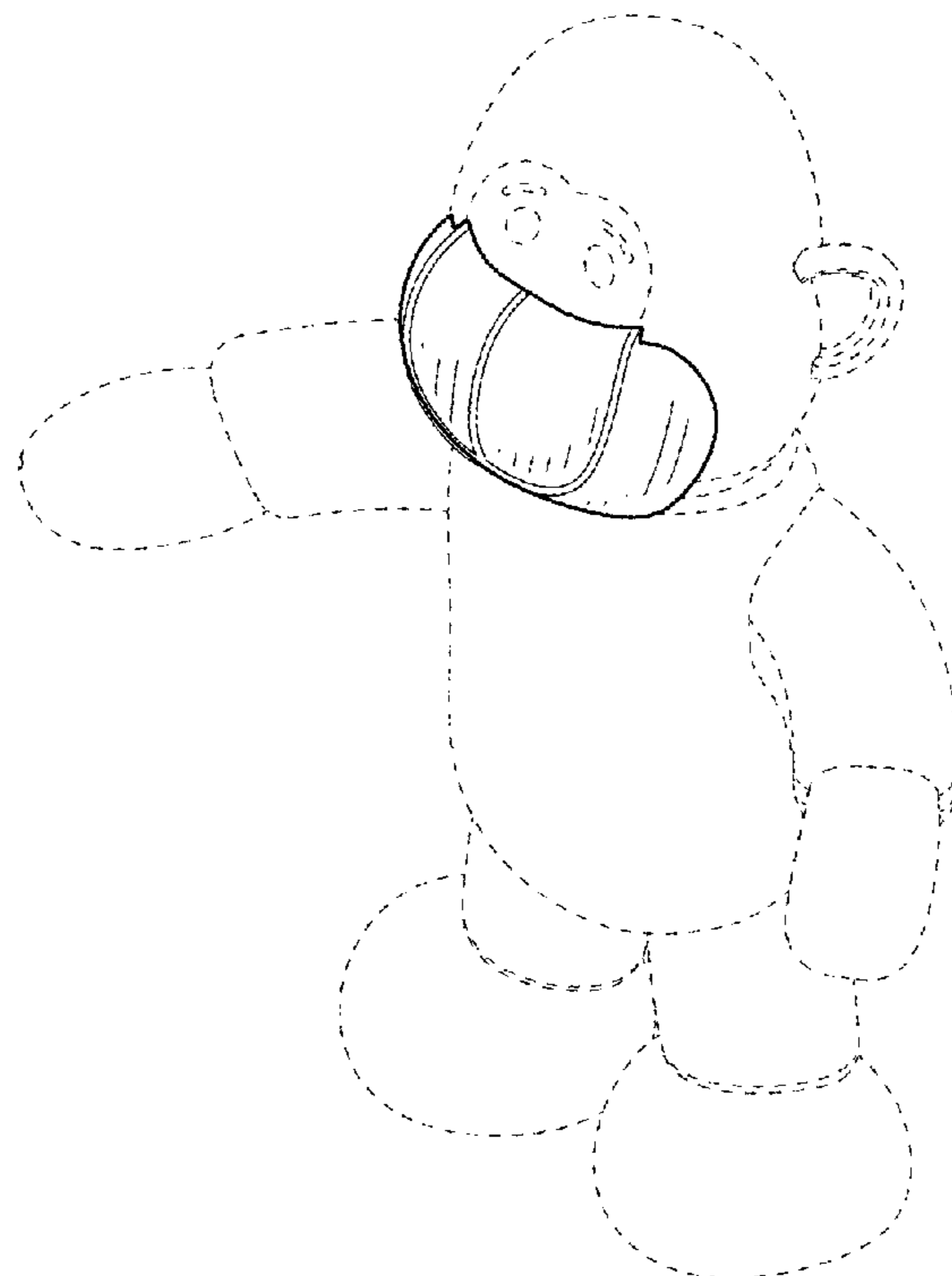
(57) **CLAIM**

The ornamental design for a toy basketball face, as shown  
and described.

**DESCRIPTION**

FIG. 1 is a front perspective view of a toy basketball face;  
FIG. 2 is a front elevation view thereof;  
FIG. 3 is a left side elevation view thereof; the right side  
elevation view being a mirror image thereof;  
FIG. 4 is a top elevation view thereof; and,  
FIG. 5 is a bottom elevation view thereof.  
The broken lines shown in the drawings illustrate portions of  
the toy basketball face that form no part of the claimed  
design.

**1 Claim, 3 Drawing Sheets**



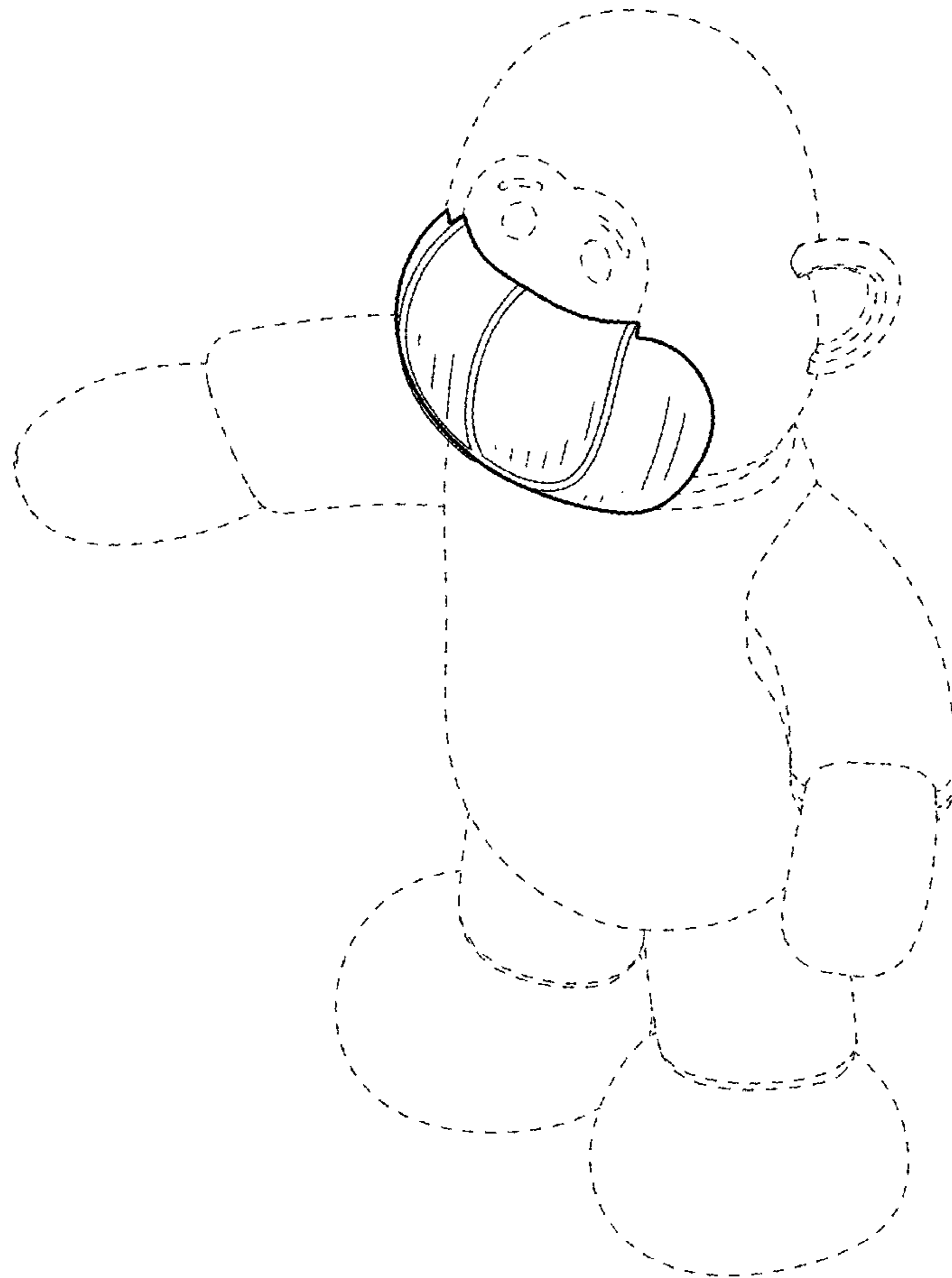


FIG. 1

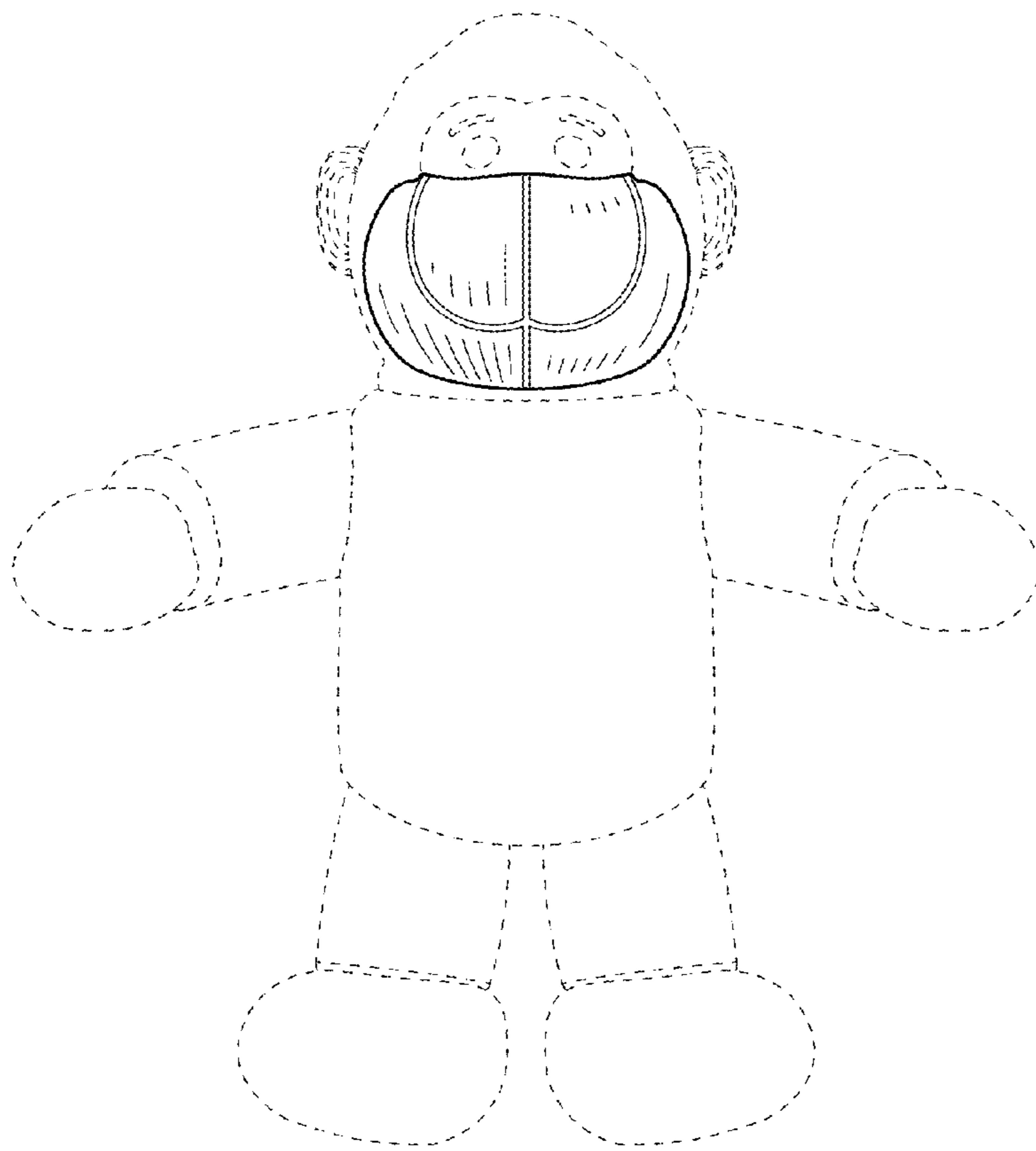


FIG. 2

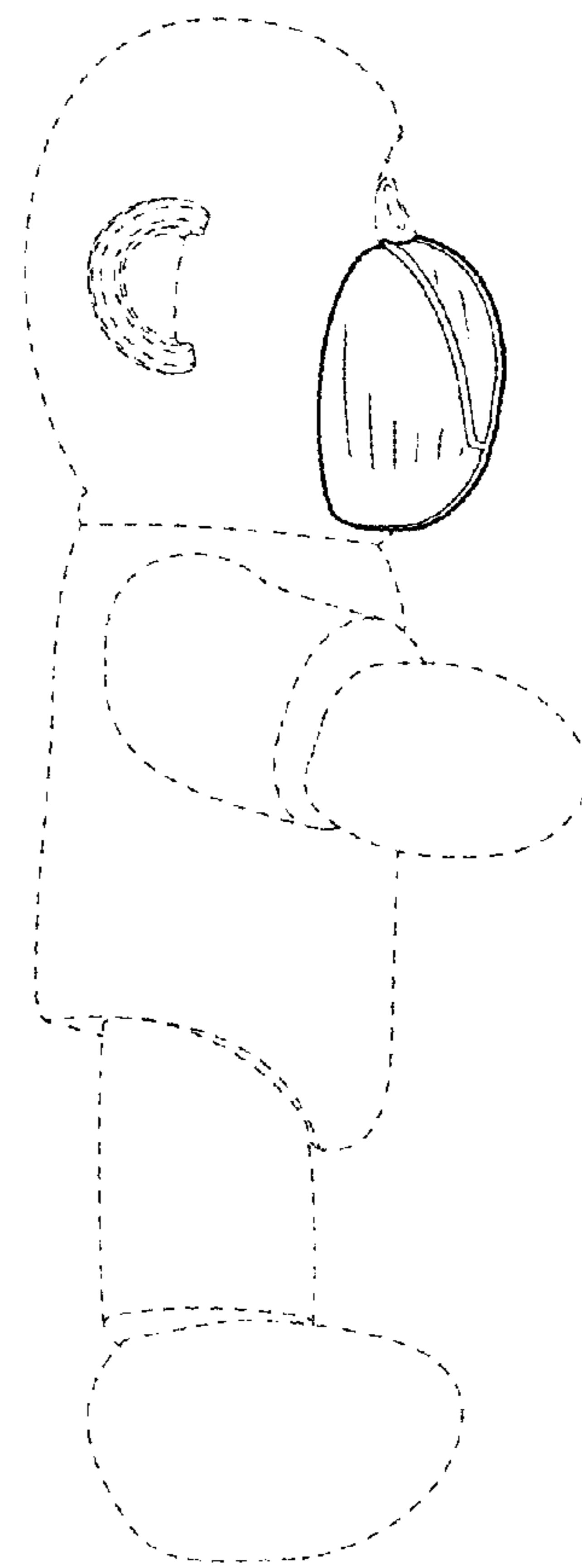


FIG. 3

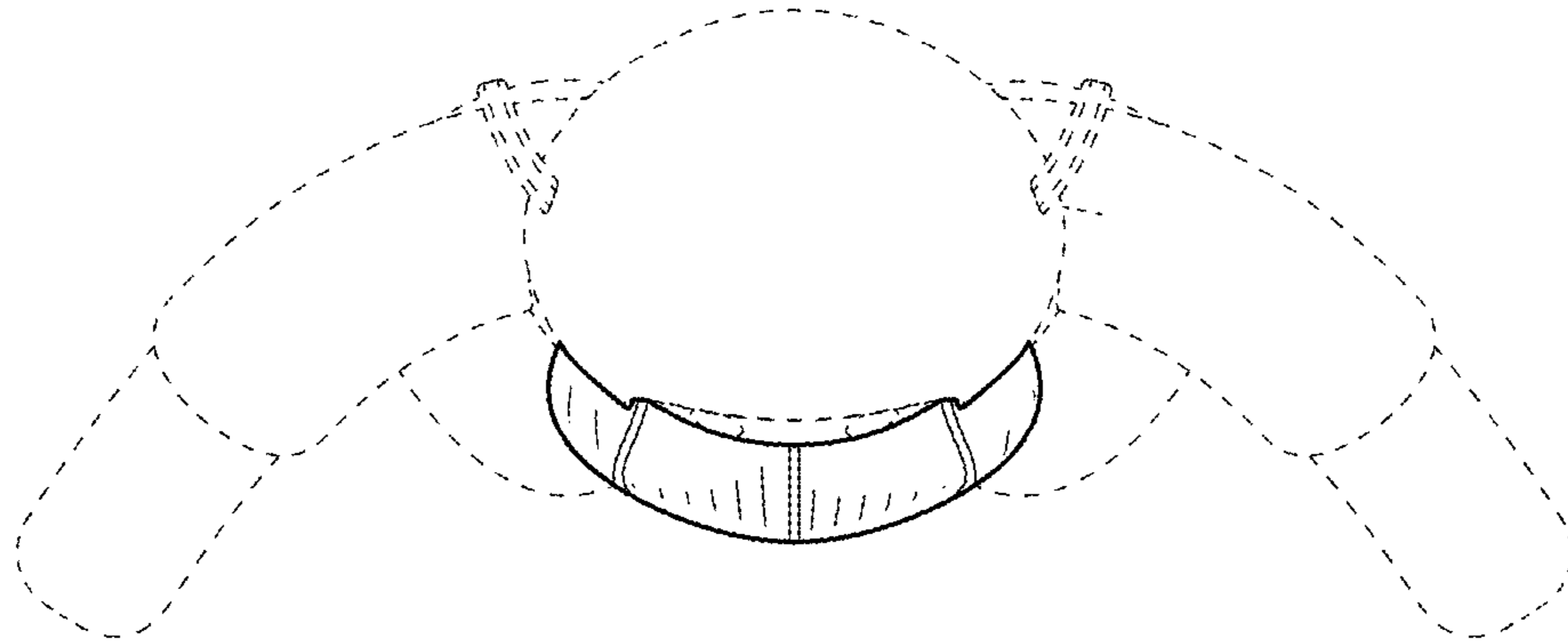


FIG. 4

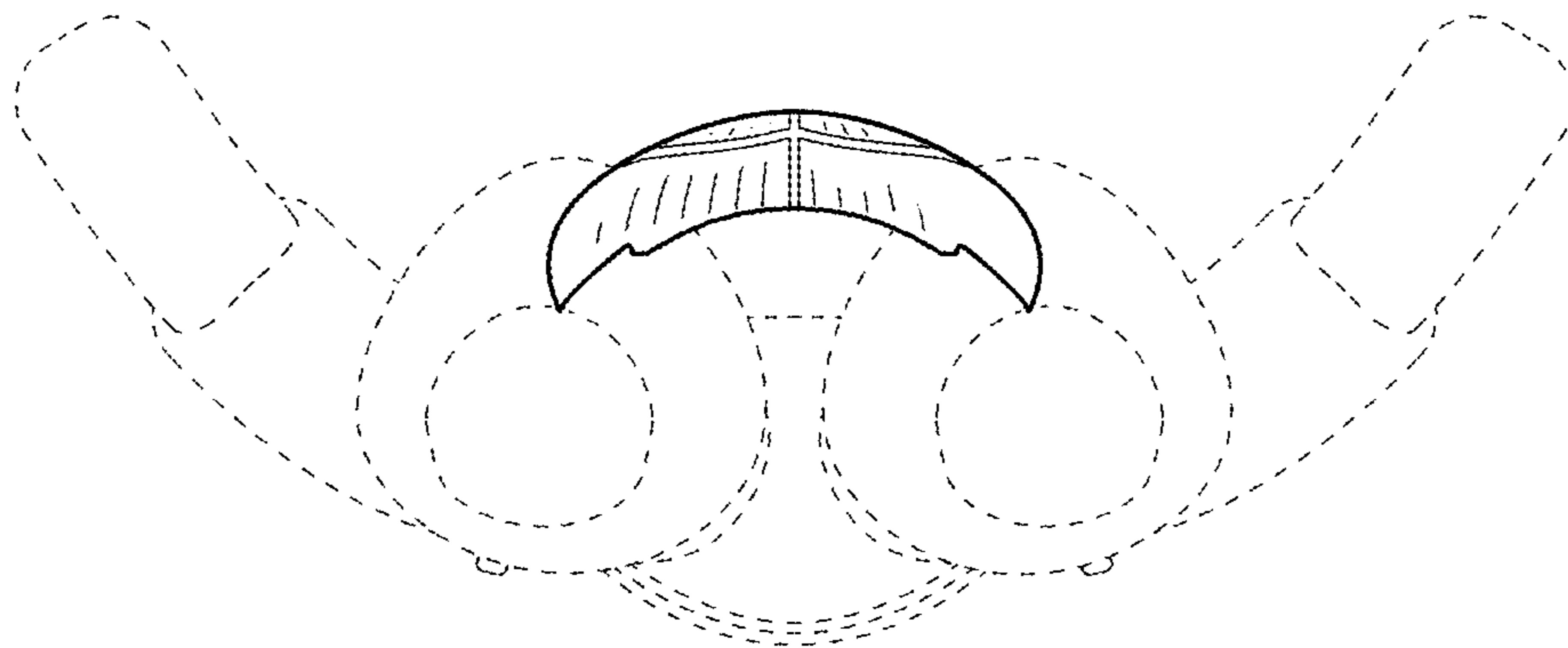


FIG. 5