



US00D765191S

(12) **United States Design Patent**  
**March et al.**

(10) **Patent No.:** **US D765,191 S**

(45) **Date of Patent:** **\*\* Aug. 30, 2016**

(54) **TOY DOLL**

D596,244 S \* 7/2009 Levy ..... D21/622  
D621,888 S \* 8/2010 Rappaport-Rowan ..... D21/650  
D698,396 S \* 1/2014 Friedland ..... D21/650

(71) Applicant: **LITTLE KIDS, INC.**, Seekonk, MA  
(US)

**OTHER PUBLICATIONS**

(72) Inventors: **Andrew March**, Providence, RI (US);  
**John Davies**, Blackstone, MA (US);  
**Yann Poisson**, Providence, RI (US);  
**Andrea Kang**, Providence, RI (US)

Amazon.com advertisement of Kebitosan toy product marketed by Takara-Tomy (Tokyo, JP), available at least as early as Feb. 25, 2010. Found at: [http://www.amazon.co.jp/タカラトミ-ア361268-けびとさん-01-あかけびと/dp/B002SW3A2I/ref=pd\\_sim\\_sbs\\_t\\_2?ie=UTF8&refRID=054YR1DZ53FMKHRF71DR](http://www.amazon.co.jp/タカラトミ-ア361268-けびとさん-01-あかけびと/dp/B002SW3A2I/ref=pd_sim_sbs_t_2?ie=UTF8&refRID=054YR1DZ53FMKHRF71DR).

(73) Assignee: **Little Kids, Inc.**, Seekonk, MA (US)

\* cited by examiner

(\*\*) Term: **14 Years**

*Primary Examiner* — Sandra Morris

(21) Appl. No.: **29/517,068**

(74) *Attorney, Agent, or Firm* — Chace Ruttenberg & Freedman

(22) Filed: **Feb. 10, 2015**

(51) **LOC (10) Cl.** ..... **21-01**

(57) **CLAIM**

(52) **U.S. Cl.**

The ornamental design for a toy doll, as shown and described.

USPC ..... **D21/576**; D21/650; D21/622; D21/630

**DESCRIPTION**

(58) **Field of Classification Search**

USPC ..... D6/598; D11/158; D21/576–588,  
D21/622–623, 630, 650; 446/368–369, 376,  
446/428, 487

CPC ..... A63H 3/00; A63H 3/02; A63H 3/06;  
A63H 3/14; A63H 3/28; A63H 3/36; A63H  
33/00; A63H 33/003; A63H 33/004

See application file for complete search history.

FIG. 1 is an upper right front perspective view of a toy doll, dashed elements being unclaimed;

FIG. 2 is a front elevational view of the toy doll of FIG. 1, dashed elements being unclaimed;

FIG. 3 is a right side elevational view of the toy doll, the left side is a mirror image thereof, dashed elements being unclaimed;

FIG. 4 is a rear elevational view of the toy doll of FIG. 1, dashed elements being unclaimed;

FIG. 5 is a top plan view of the toy doll of FIG. 1, dashed elements being unclaimed; and,

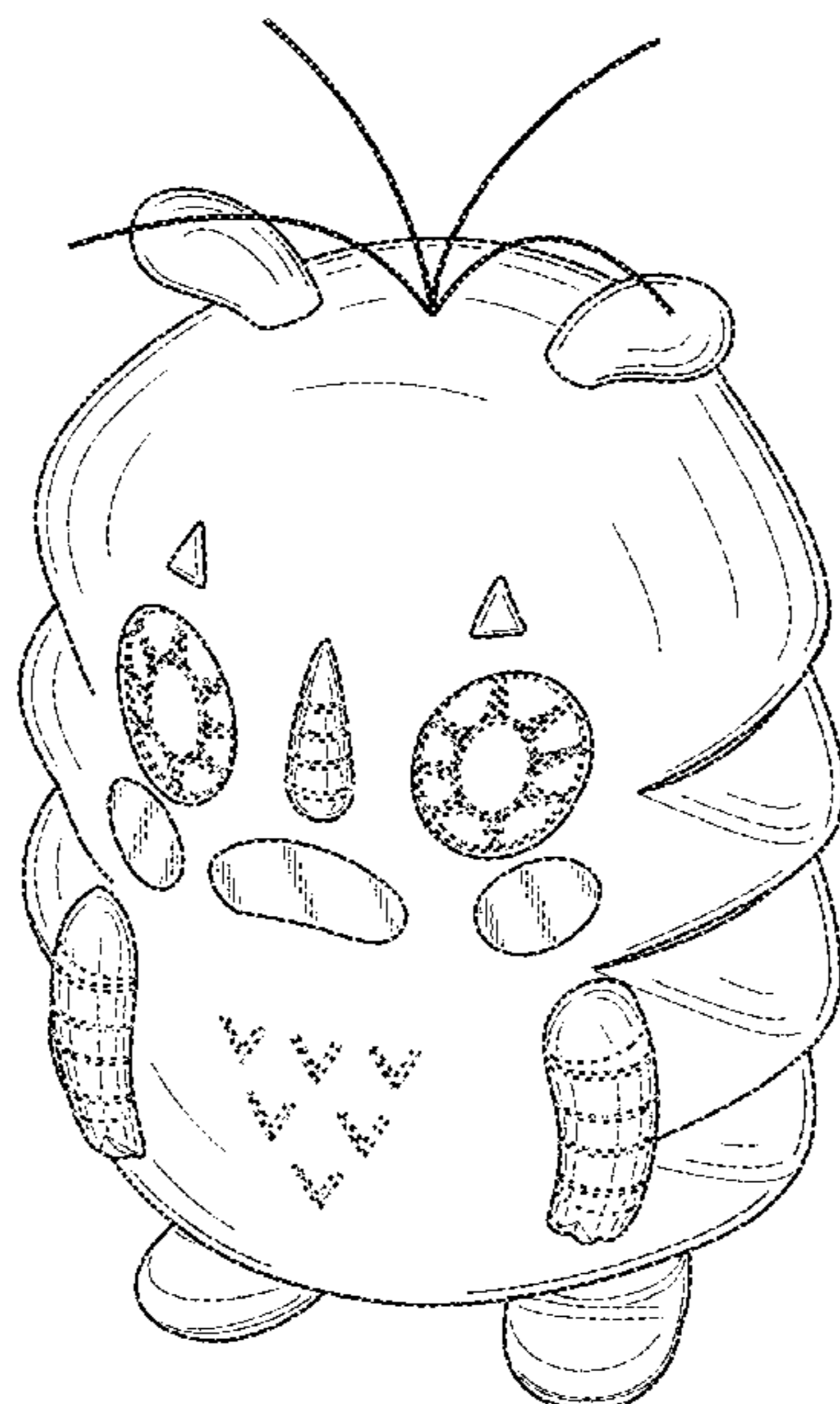
FIG. 6 is a bottom plan view of the toy doll of FIG. 1, dashed elements being unclaimed.

(56) **References Cited**

**U.S. PATENT DOCUMENTS**

D313,851 S \* 1/1991 Palese ..... D21/650  
D315,246 S \* 3/1991 Drake ..... D21/623  
D409,037 S \* 5/1999 Bear ..... D21/650  
D431,613 S \* 10/2000 Cutillo ..... D21/622  
D442,650 S \* 5/2001 Allen ..... D21/630

**1 Claim, 4 Drawing Sheets**





**FIG. 1**

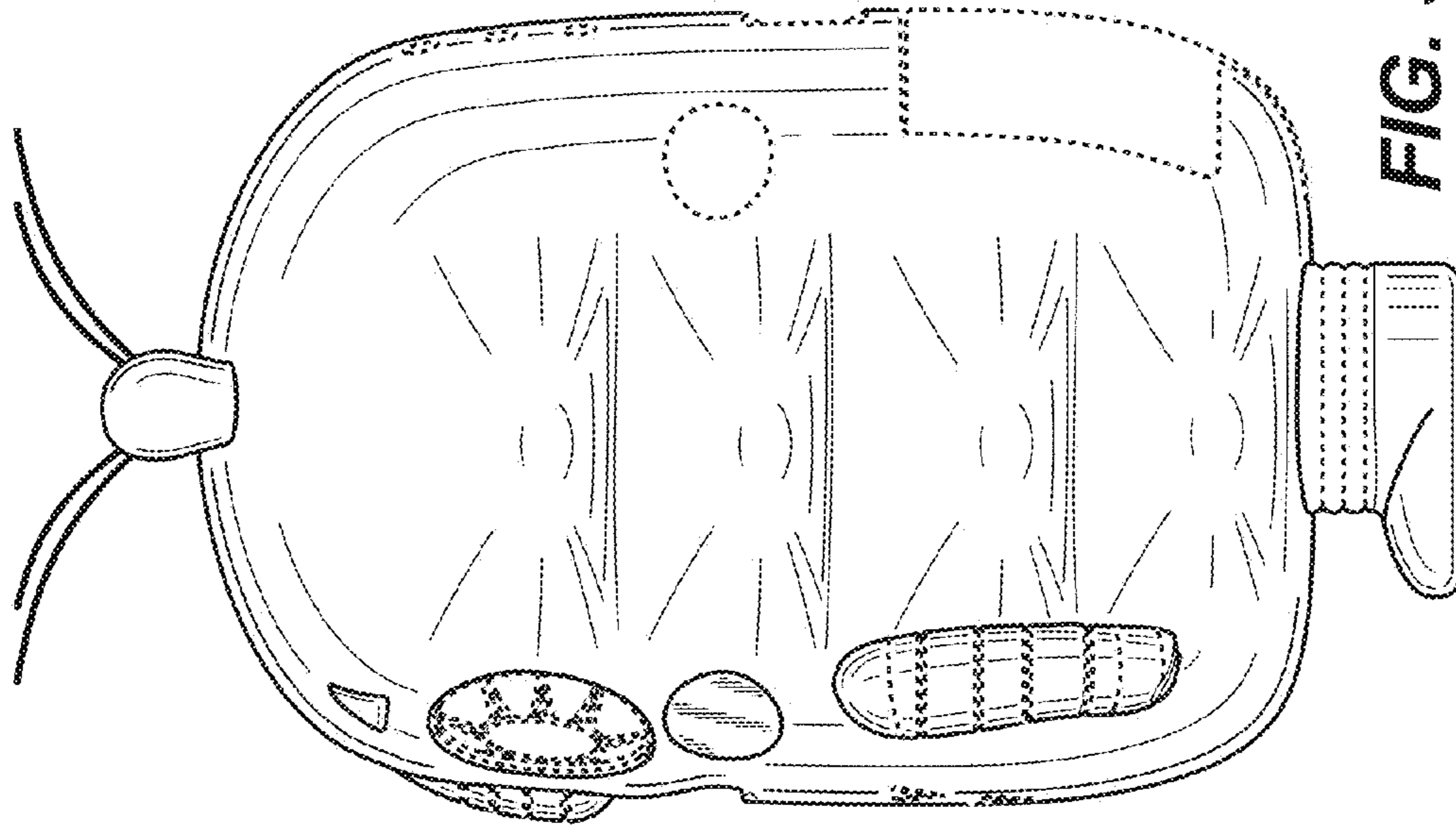


FIG. 3

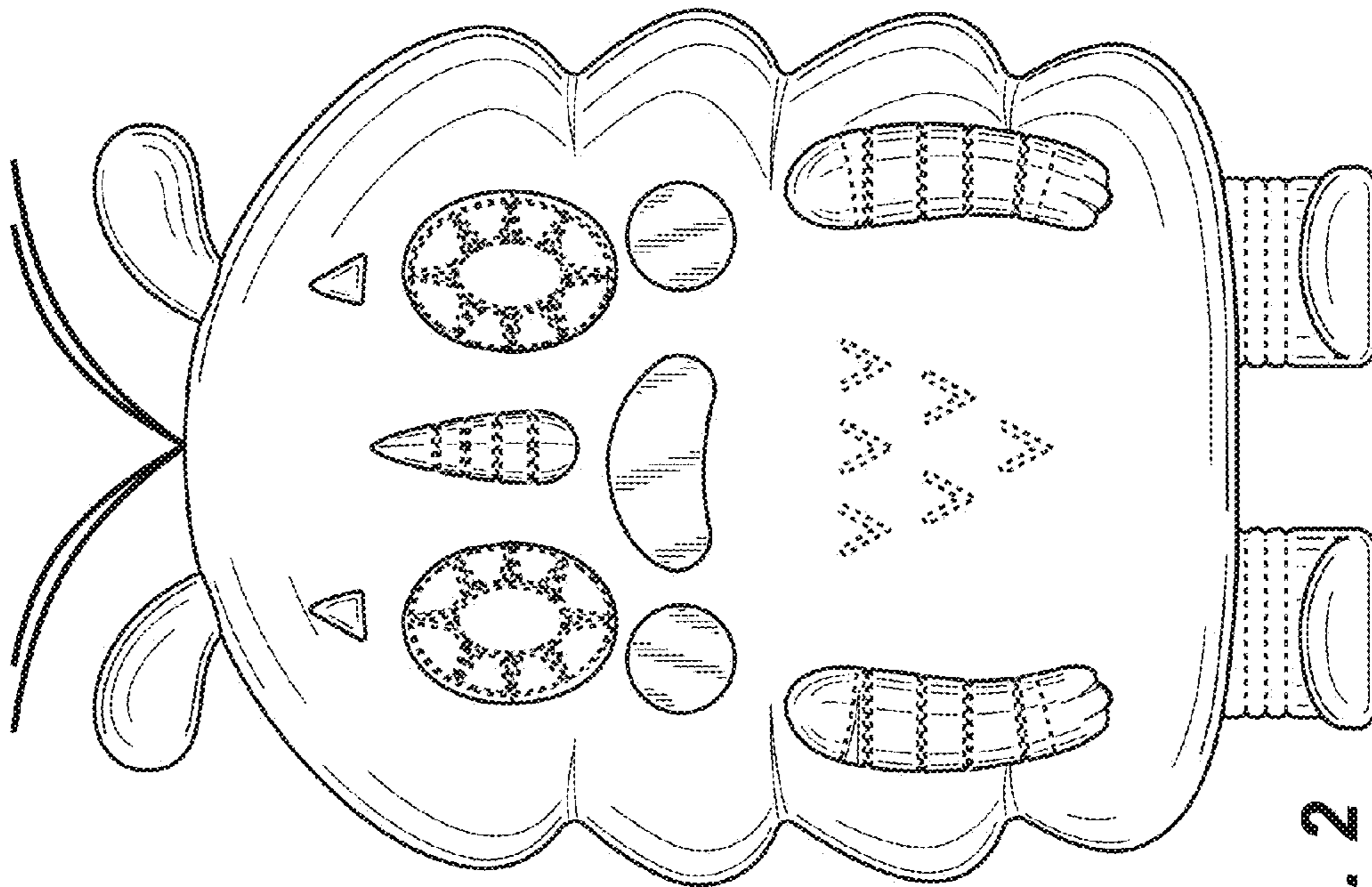


FIG. 2



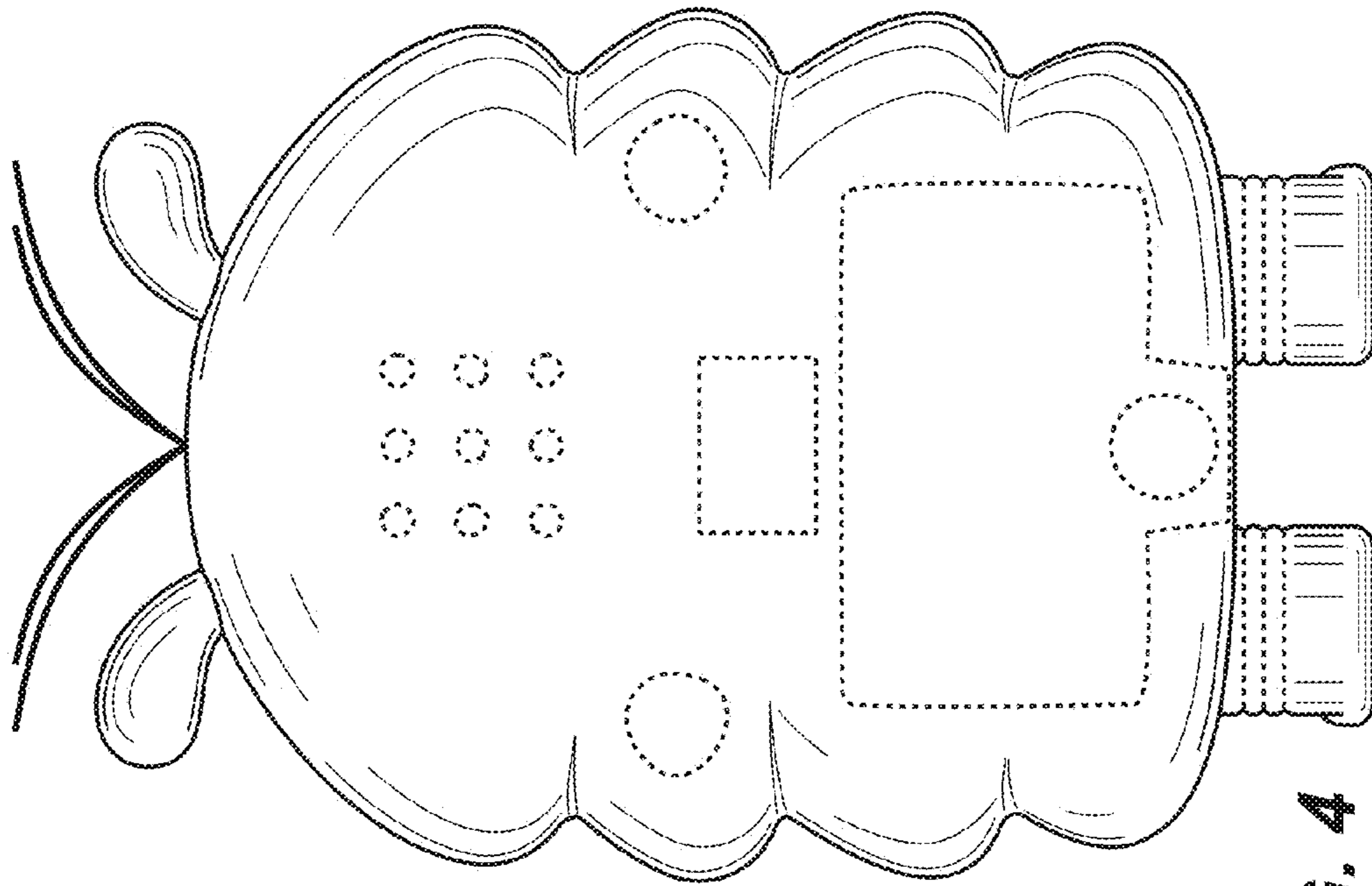
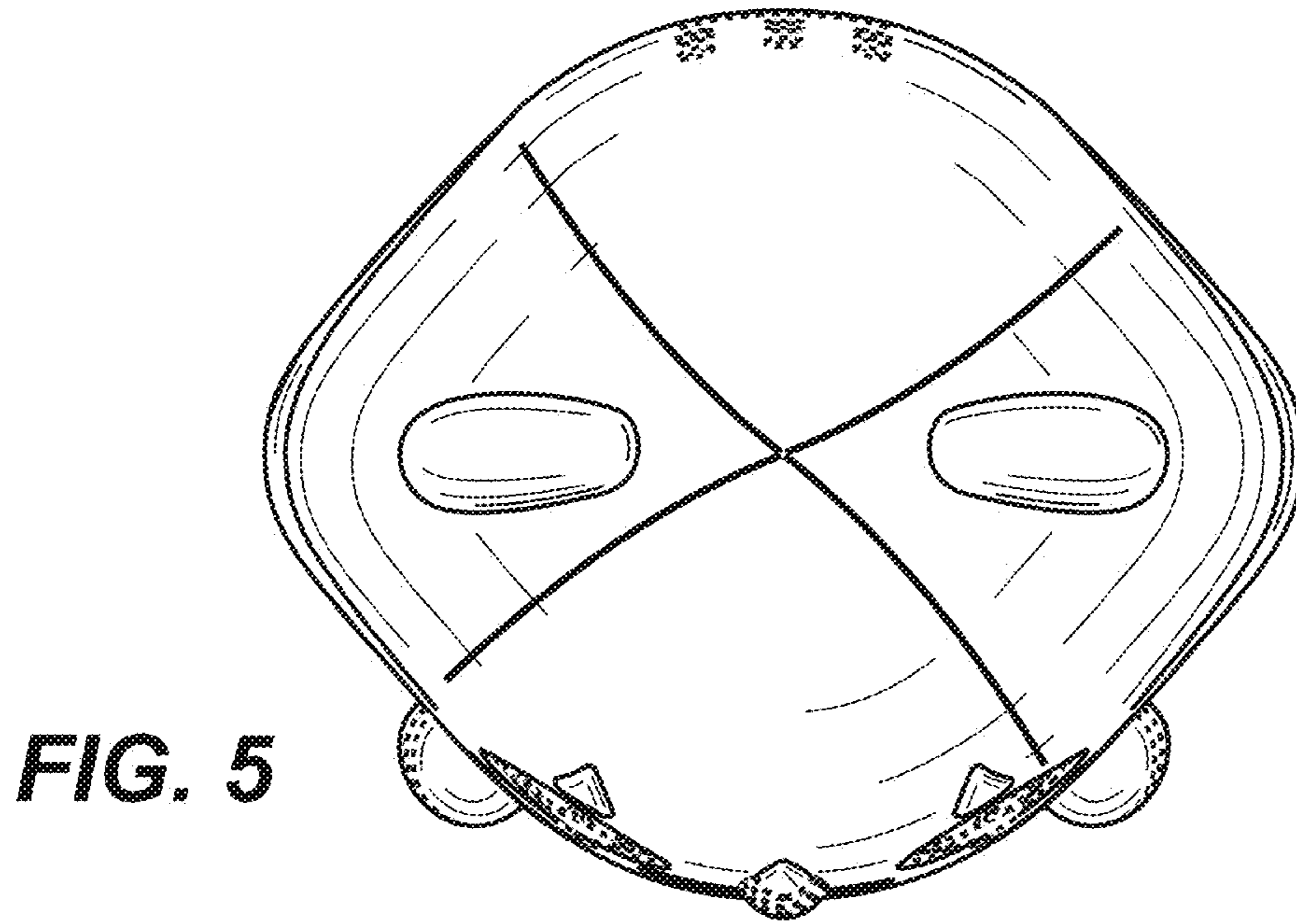
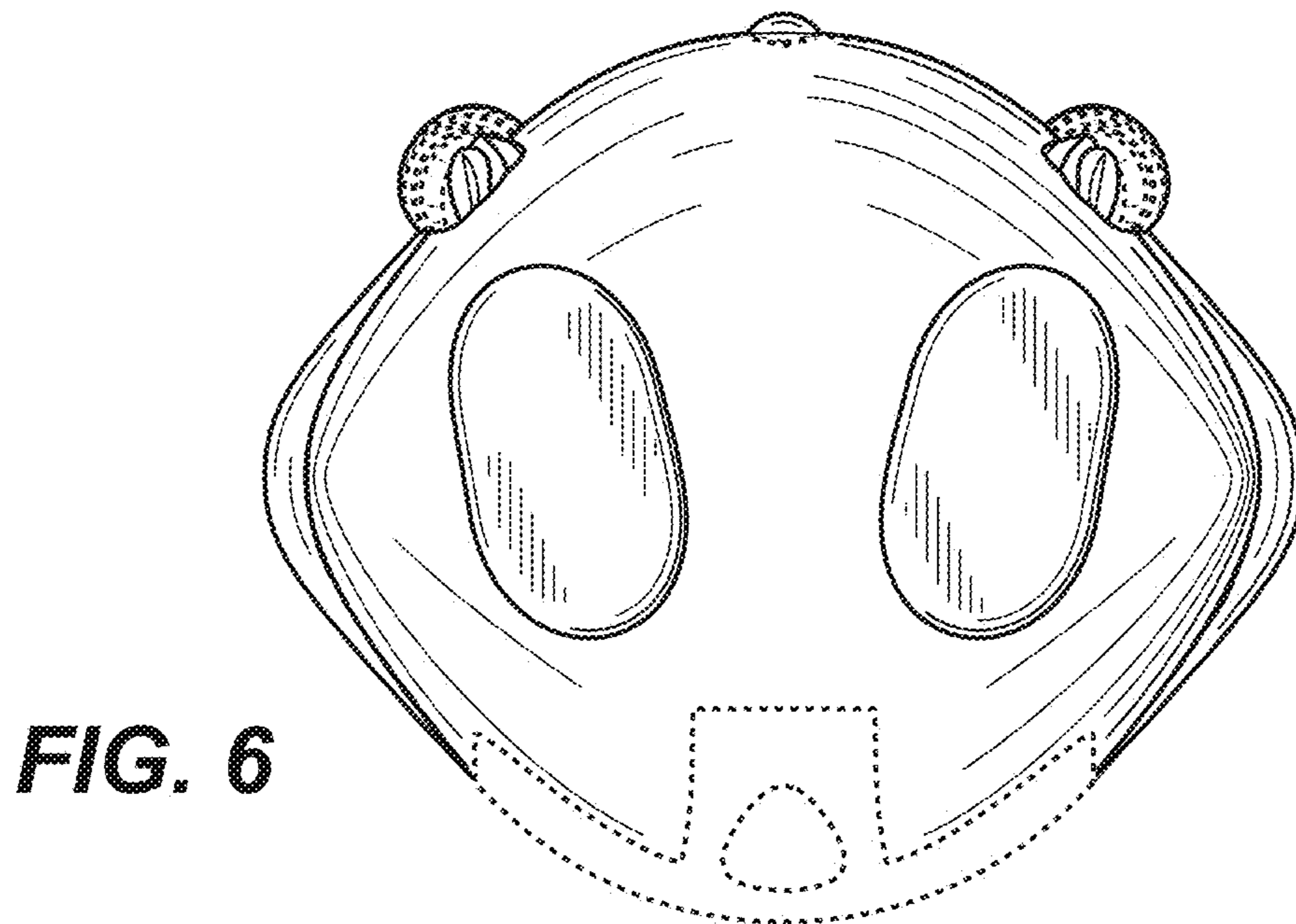


FIG. 4



**FIG. 5**



**FIG. 6**