



US00D765188S

(12) **United States Design Patent** (10) **Patent No.:** **US D765,188 S**  
**LaRussa** (45) **Date of Patent:** **\*\* Aug. 30, 2016**

(54) **FLYING PROPELLER**  
(71) Applicant: **Calogero A. LaRussa**, Sanborn, NY (US)  
(72) Inventor: **Calogero A. LaRussa**, Sanborn, NY (US)  
(\*\*) Term: **14 Years**  
(21) Appl. No.: **29/524,400**  
(22) Filed: **Apr. 20, 2015**  
(51) **LOC (10) Cl.** ..... **21-02**  
(52) **U.S. Cl.**  
USPC ..... **D21/444**  
(58) **Field of Classification Search**  
USPC ..... D12/321, 323, 325; D21/436, 439, 440, D21/443, 453, 455, 458, 601, 597, 496, 498, D21/628, 444; D23/414, 370, 411  
CPC ..... A63H 27/10; A63H 33/18; A63H 7/04; F21V 3/023; B64B 1/40; B64B 1/48; G09F 21/00  
See application file for complete search history.

(56) **References Cited**  
U.S. PATENT DOCUMENTS  
D212,701 S \* 11/1968 Cafalda ..... D2/866  
D221,453 S \* 8/1971 Swanberg ..... 416/179  
D257,364 S \* 10/1980 Molenaar ..... D21/458  
D281,616 S \* 12/1985 McGuire ..... D21/457  
D401,288 S \* 11/1998 Dunipace ..... D21/443  
D480,766 S \* 10/2003 Moon ..... D21/398  
6,921,313 B2 \* 7/2005 Yu ..... A63H 33/22  
446/39  
D511,824 S \* 11/2005 Chen ..... D23/370  
D542,359 S \* 5/2007 Vodhanel, Jr. .... D21/443  
D723,152 S \* 2/2015 Xu ..... D23/370  
D726,300 S \* 4/2015 DeFilippis ..... D23/414  
9,005,055 B2 \* 4/2015 Gonzalez ..... A63B 67/06  
446/46  
D734,845 S \* 7/2015 Xu ..... D23/370  
D736,368 S \* 8/2015 Xu ..... D23/370  
2002/0098768 A1 \* 7/2002 Kuo ..... A63H 27/12  
446/39

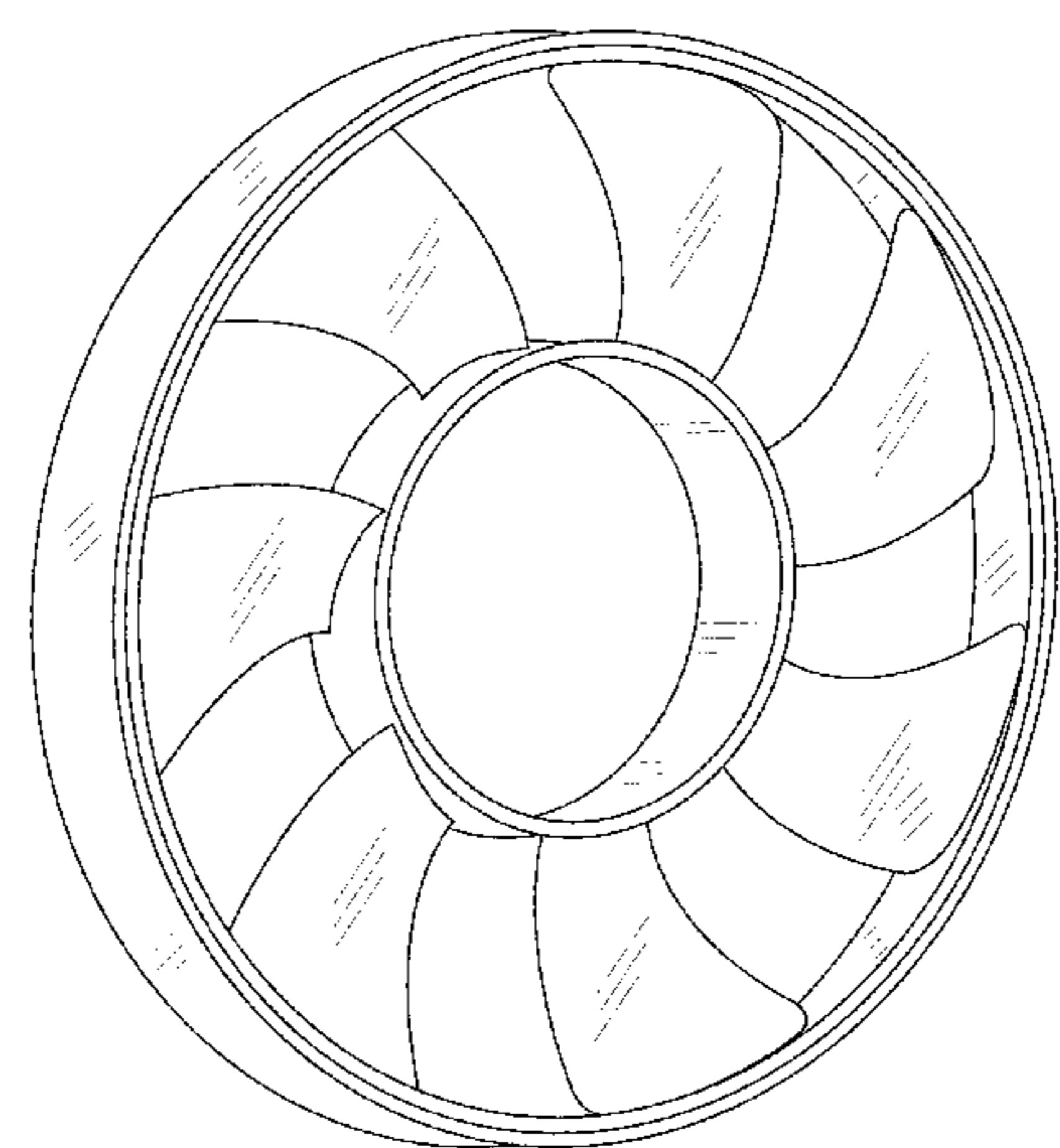
2005/0180849 A1 \* 8/2005 Chen ..... F04D 29/325  
415/220  
2007/0166165 A1 \* 7/2007 Lee ..... F04D 29/329  
416/189  
2008/0044292 A1 \* 2/2008 Spaggiari ..... F04D 29/386  
416/243  
2008/0156282 A1 \* 7/2008 Aschermann ..... F04D 29/386  
123/41.49  
2009/0155076 A1 \* 6/2009 Jarrah ..... F04D 29/384  
416/182  
2012/0244000 A1 \* 9/2012 Turcas ..... B29C 45/0025  
416/189  
2013/0028747 A1 \* 1/2013 Henner ..... F04D 29/386  
416/242  
2013/0259667 A1 \* 10/2013 Huang ..... F04D 19/002  
415/185  
2014/0056710 A1 \* 2/2014 Henner ..... F04D 29/384  
416/189  
2015/0064011 A1 \* 3/2015 Xu ..... F04D 19/002  
416/189

\* cited by examiner  
*Primary Examiner* — Robert M Spear  
*Assistant Examiner* — Marissa J Cash  
(74) *Attorney, Agent, or Firm* — Vincent G. LoTempio; Kloss, Stenger & LoTempio; David T. Stephenson

(57) **CLAIM**  
The ornamental design for a flying propeller, as shown and described.

**DESCRIPTION**  
FIG. 1 is a perspective view of the flying propeller showing my new design;  
FIG. 2 is a perspective view of my design shown in an environment of use;  
FIG. 3 is a front elevation view thereof;  
FIG. 4 is a rear elevation view thereof;  
FIG. 5 is a right side view of my design;  
FIG. 6 is a left side view of my design;  
FIG. 7 is a top plan view of my design; and,  
FIG. 8 is a bottom plan view of my design.  
In the drawings, the broken lines depict environmental subject matter only and form no part of the claimed design.

**1 Claim, 5 Drawing Sheets**



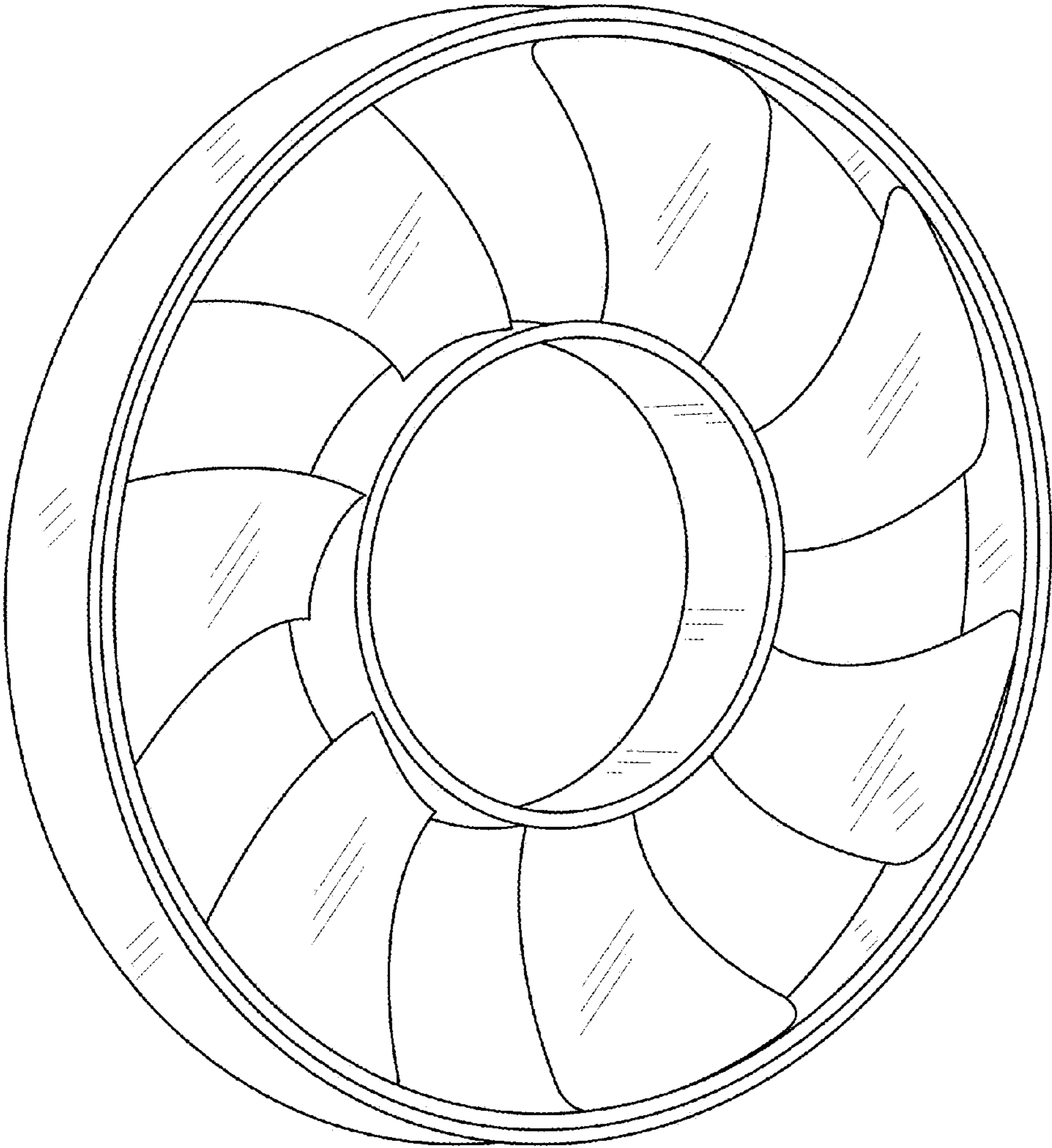


FIG. 1

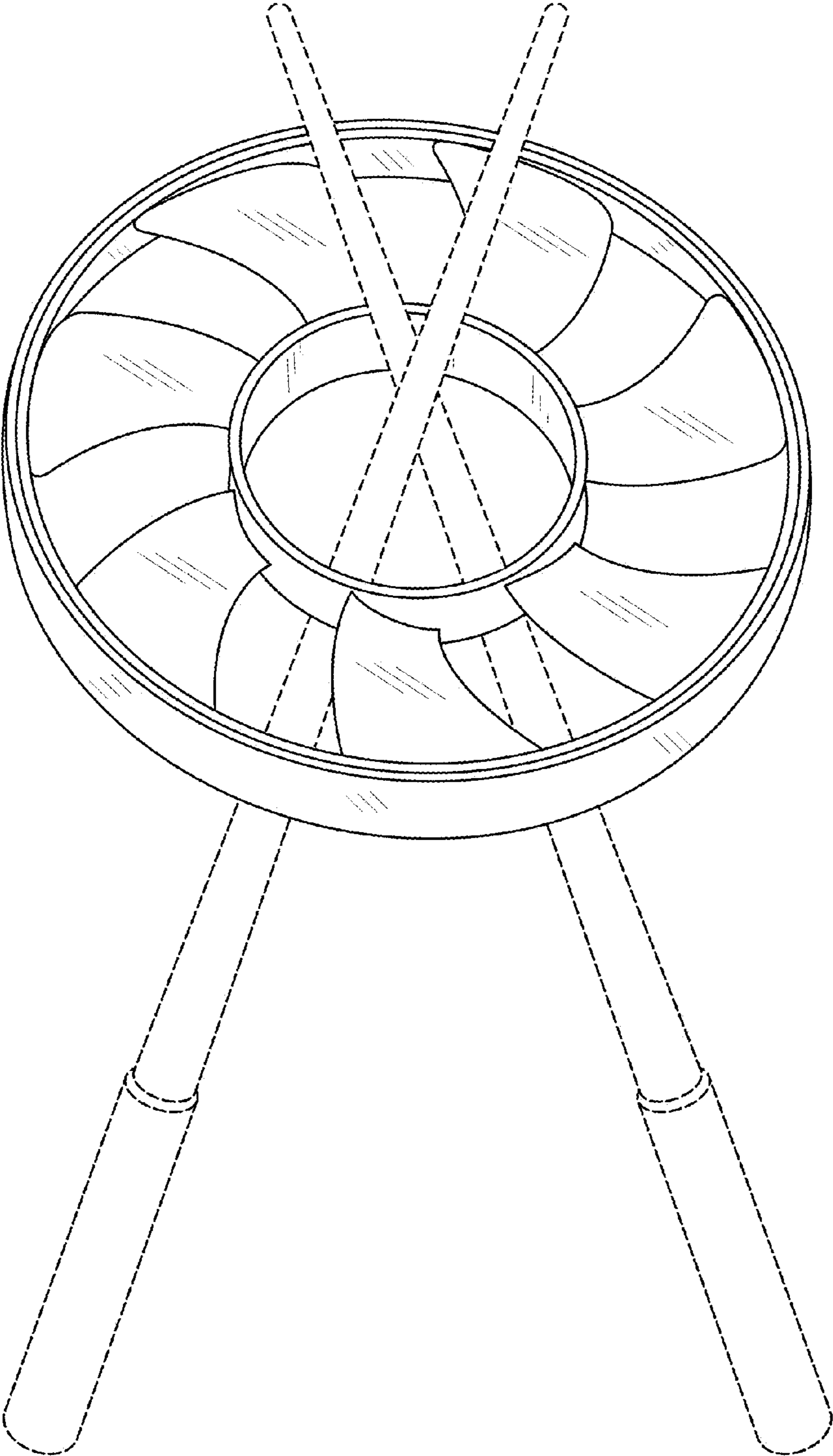


FIG. 2

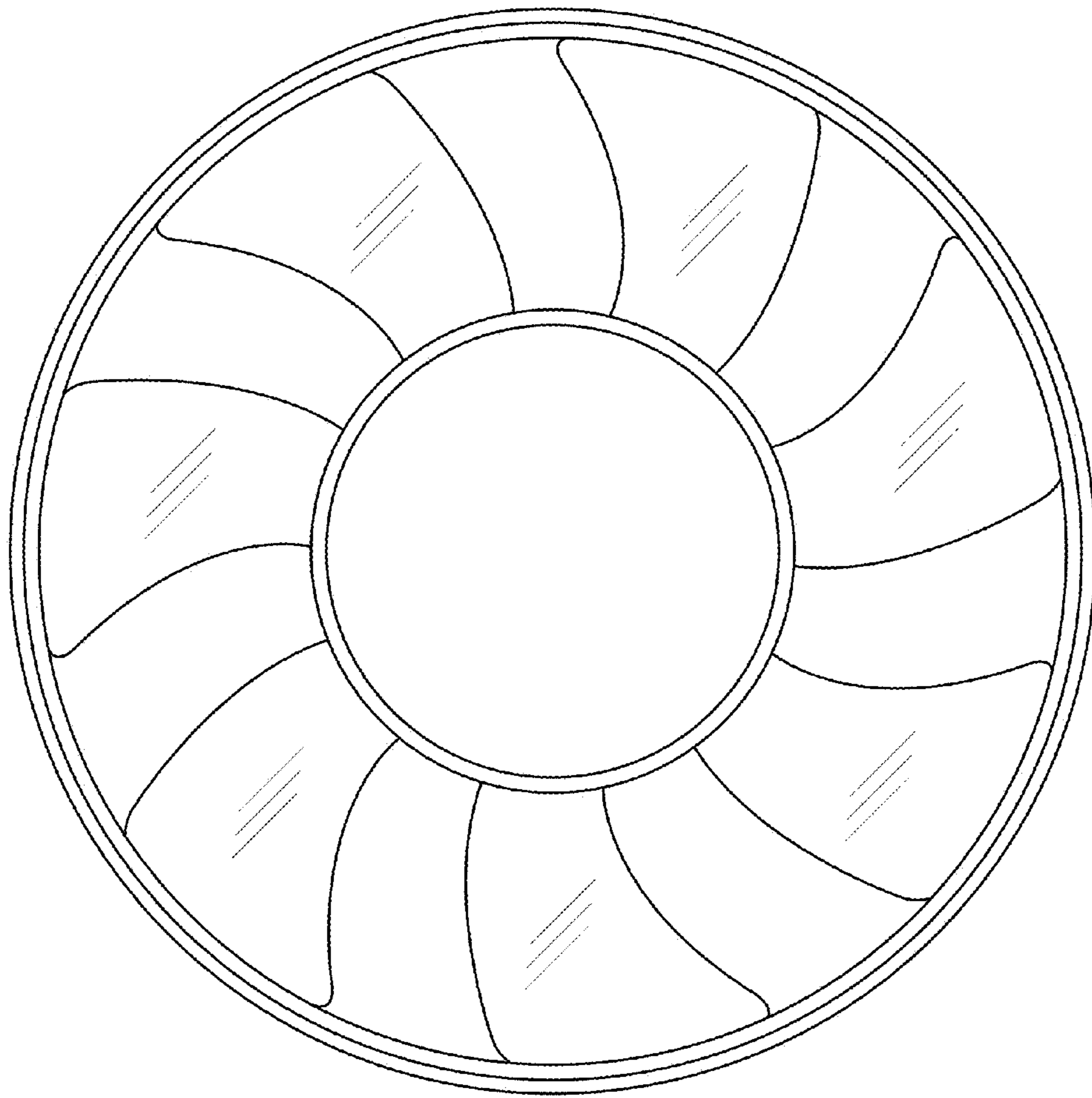


FIG. 3

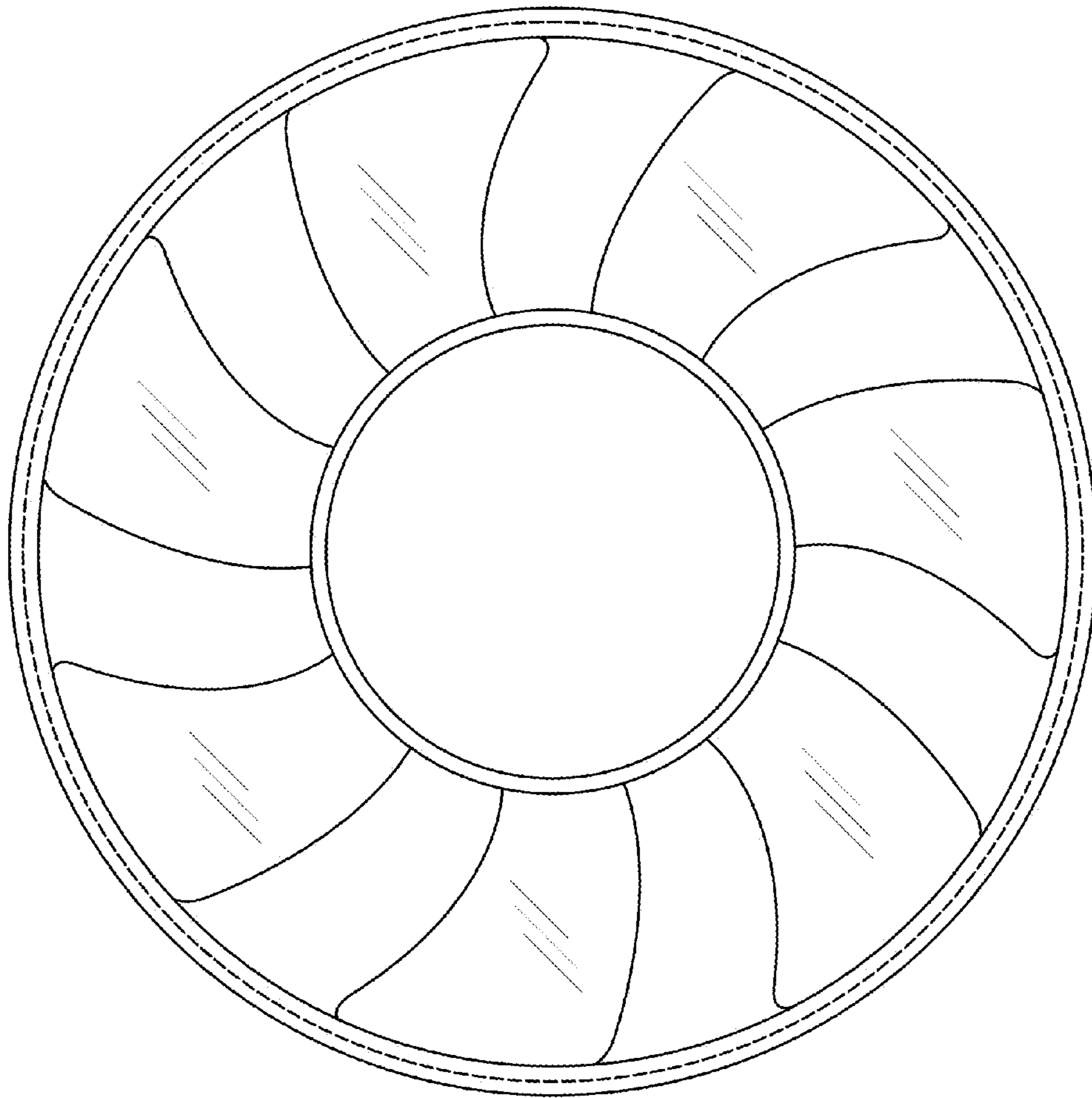


FIG. 4

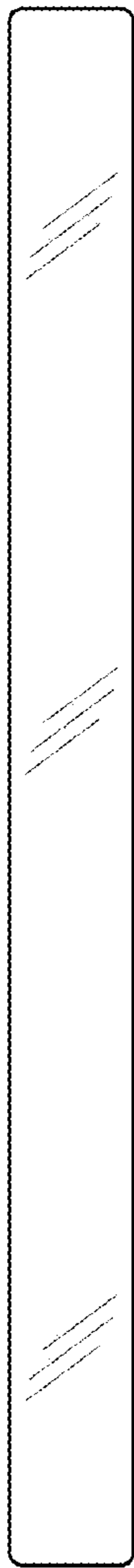


FIG. 5



FIG. 6



FIG. 7

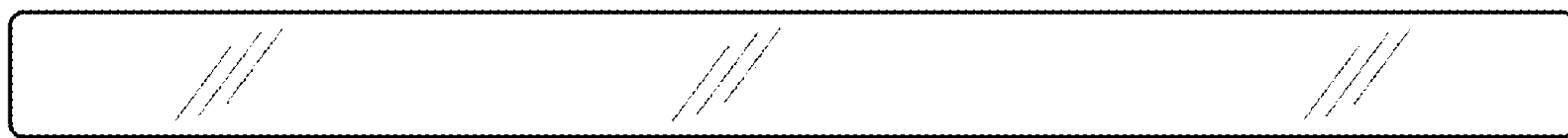


FIG. 8