



US00D765187S

(12) **United States Design Patent**
Desberg

(10) **Patent No.:** **US D765,187 S**

(45) **Date of Patent:** **** Aug. 30, 2016**

(54) **KART WITH MOVABLE VISUAL EFFECT**

(71) Applicant: **RAZOR USA LLC**, Cerritos, CA (US)

(72) Inventor: **Ian Desberg**, Cerritos, CA (US)

(73) Assignee: **Razor USA LLC**, Cerritos, CA (US)

(**) Term: **14 Years**

(21) Appl. No.: **29/515,720**

(22) Filed: **Jan. 26, 2015**

(51) **LOC (10) Cl.** **21-01**

(52) **U.S. Cl.**

USPC **D21/428**

(58) **Field of Classification Search**

USPC D21/419, 423, 424, 425, 426, 427, 428;
280/87.01, 87.021, 218, 224, 225, 232,
280/233, 242.1

CPC A63G 13/00; A63G 13/06; A63G 13/10;
A63G 15/00; A63G 15/02; A63G 15/04;
B62B 7/00; B62B 7/002; B62B 7/004;
B62B 7/006; B62B 7/008; B62B 7/02;
B62B 7/04; B62B 7/042; B62B 7/044;
B62B 7/06; B62B 7/12; B62B 7/126; B62B
7/14; B62B 7/142; B62B 7/145; B62B
7/147; B62B 9/00; B62B 9/28

See application file for complete search history.

(56) **References Cited**

U.S. PATENT DOCUMENTS

2,770,074 A * 11/1956 Jones A63H 17/40
180/6.66
D208,483 S * 9/1967 Walket 280/87.021

(Continued)

Primary Examiner — Cynthia M Chin

(74) *Attorney, Agent, or Firm* — Knobbe, Martens, Olson & Bear LLP

(57) **CLAIM**

The ornamental design for a kart with movable visual effect, as shown and described.

DESCRIPTION

FIG. 1 is a front perspective view of a kart with movable visual effect.

FIG. 2 is a rear perspective view of the kart of FIG. 1.

FIG. 3 is a front view of the kart of FIG. 1.

FIG. 4 is a rear view of the kart of FIG. 1.

FIG. 5 is a left side view of the kart of FIG. 1.

FIG. 6 is a right side view of the kart of FIG. 1.

FIG. 7 is a top view of the kart of FIG. 1.

FIG. 8 is a bottom view of the kart of FIG. 1.

FIG. 9 illustrates a head portion of the kart of FIG. 1 in a first state with the eyes in a first position relative to the openings in the head corresponding to a first position of the steering arm relative to the body. The eyes of the inner member include an outer portion or sclera, a ring portion or iris and an inner portion or pupil.

FIG. 10 illustrates the head portion of the kart of FIG. 9 in a second state with the eyes in a second position relative to the openings in the head corresponding to a second position of the steering arm relative to the body turned toward the right side relative to the position of FIG. 9.

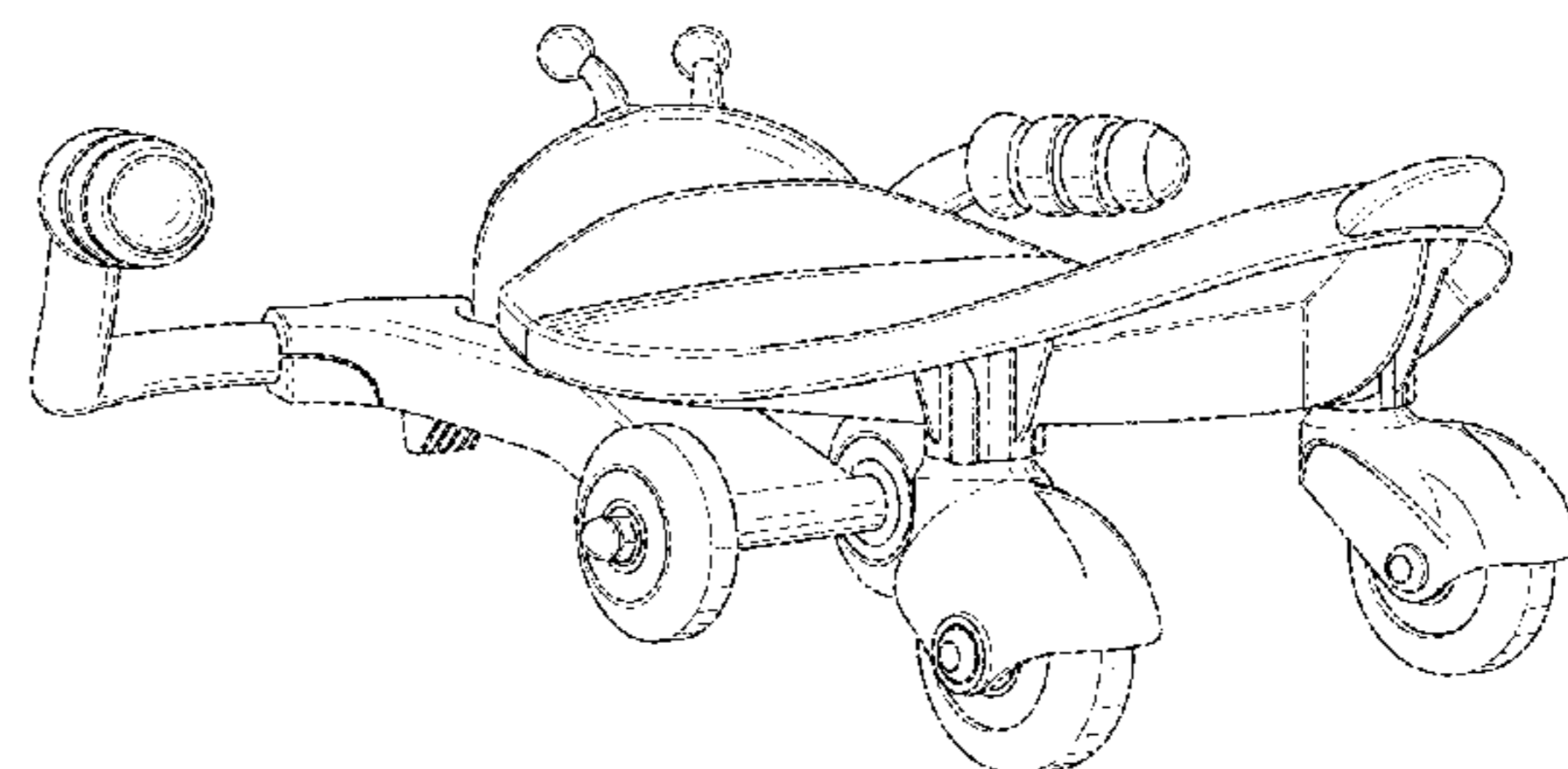
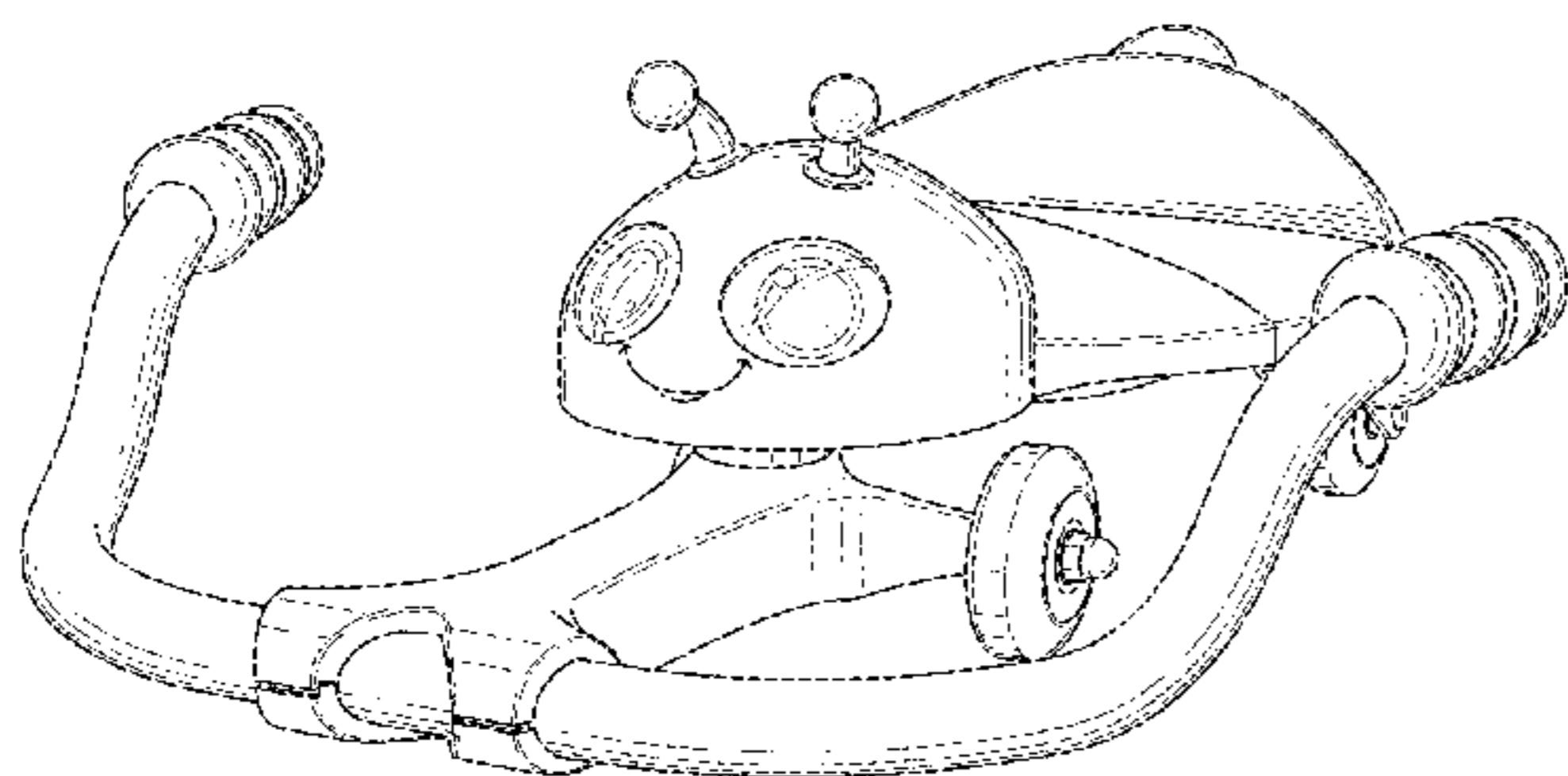
FIG. 11 illustrates the head portion of the kart of FIG. 9 in a third state with the eyes in a third position relative to the openings in the head corresponding to a third position of the steering arm relative to the body turned back toward the center relative to the position of FIG. 10. The third position of FIG. 11 can be the same as the first position of FIG. 9; and,

FIG. 12 illustrates the head portion of the kart of FIG. 9 in a fourth state with the eyes in a fourth position relative to the openings in the head corresponding to a fourth position of the steering arm relative to the body turned toward the left side relative to the position of FIG. 11. The four discrete positions illustrated represent movement of the inner member and eyes relative to the outer member or head along with steering movement of the steering arm.

FIGS. 9-12 are shown separately for ease and clarity of illustration.

Portions of the kart shown in broken lines form no part of the claimed design.

1 Claim, 6 Drawing Sheets



(56)

References Cited

U.S. PATENT DOCUMENTS

3,663,038 A * 5/1972 Hendricks B62K 9/02
188/5
D228,400 S * 9/1973 Novak, Jr. D21/428
D230,755 S * 3/1974 Brightbill 280/247
4,200,304 A * 4/1980 Hwang B62M 29/00
280/218
D257,375 S * 10/1980 Nottingham D21/428
D270,848 S * 10/1983 Echterling D21/428

D278,736 S * 5/1985 Klawitter D21/592
D283,905 S * 5/1986 Kane D21/428
D363,938 S * 11/1995 Kahng D15/14
D444,825 S * 7/2001 Child D21/428
6,561,534 B2 * 5/2003 Gu B62K 9/00
280/242.1
D606,596 S * 12/2009 Kruger D21/425
D695,360 S * 12/2013 Li D21/426
9,139,248 B2 * 9/2015 Xiao B62K 19/02
2005/0236800 A1 * 10/2005 Lai B62K 9/02
280/218

* cited by examiner

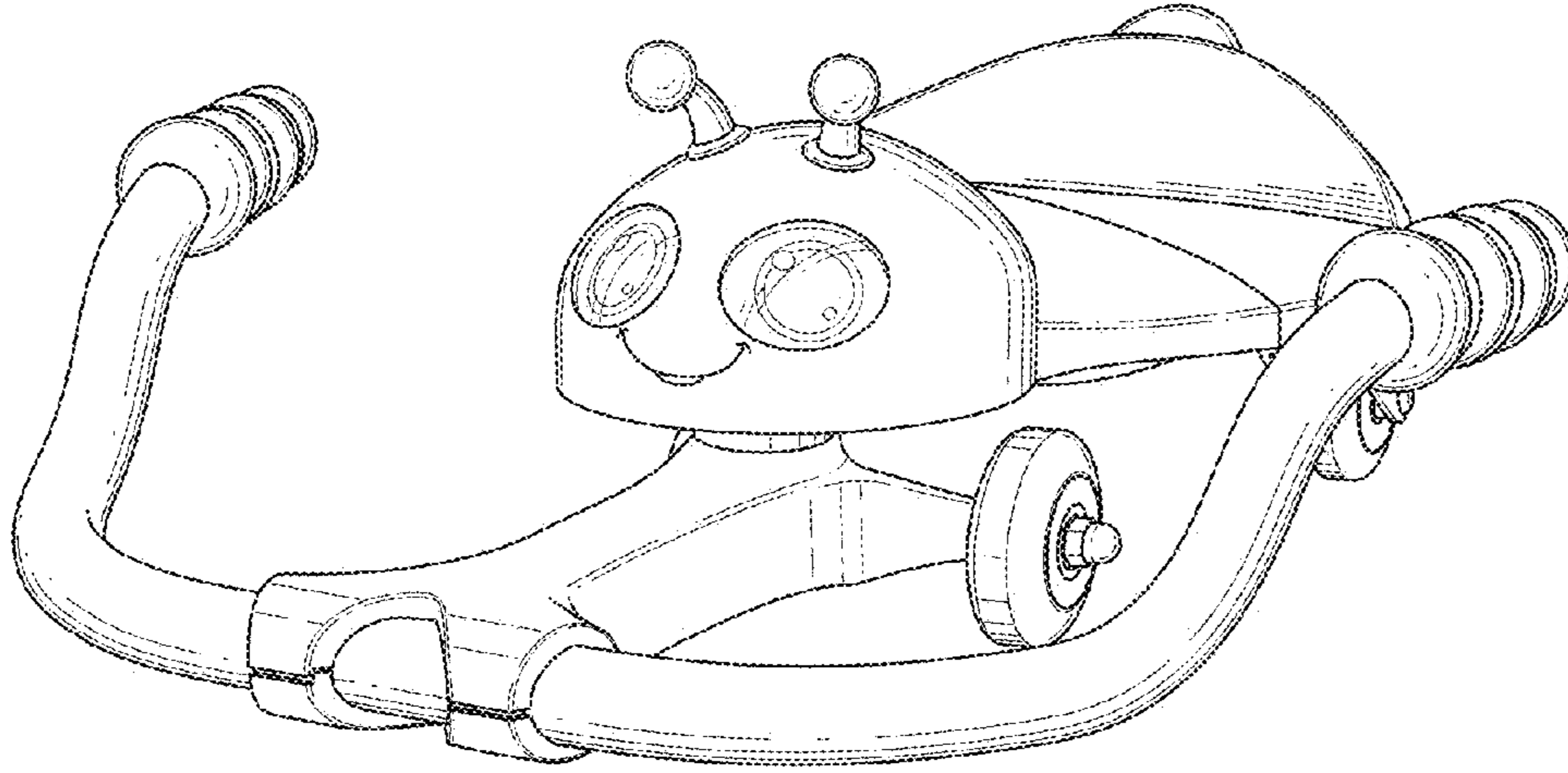


FIG. 1

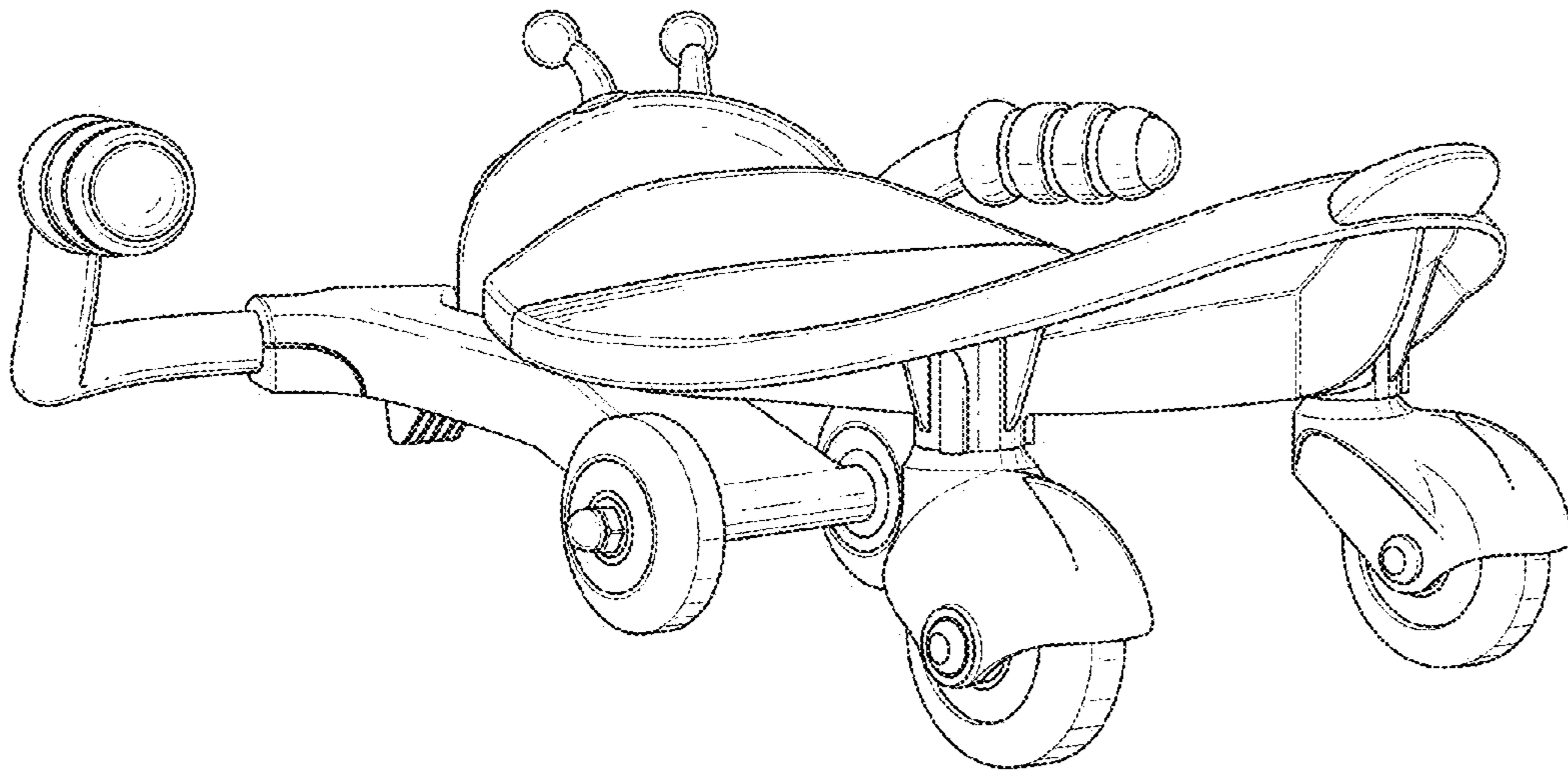


FIG. 2

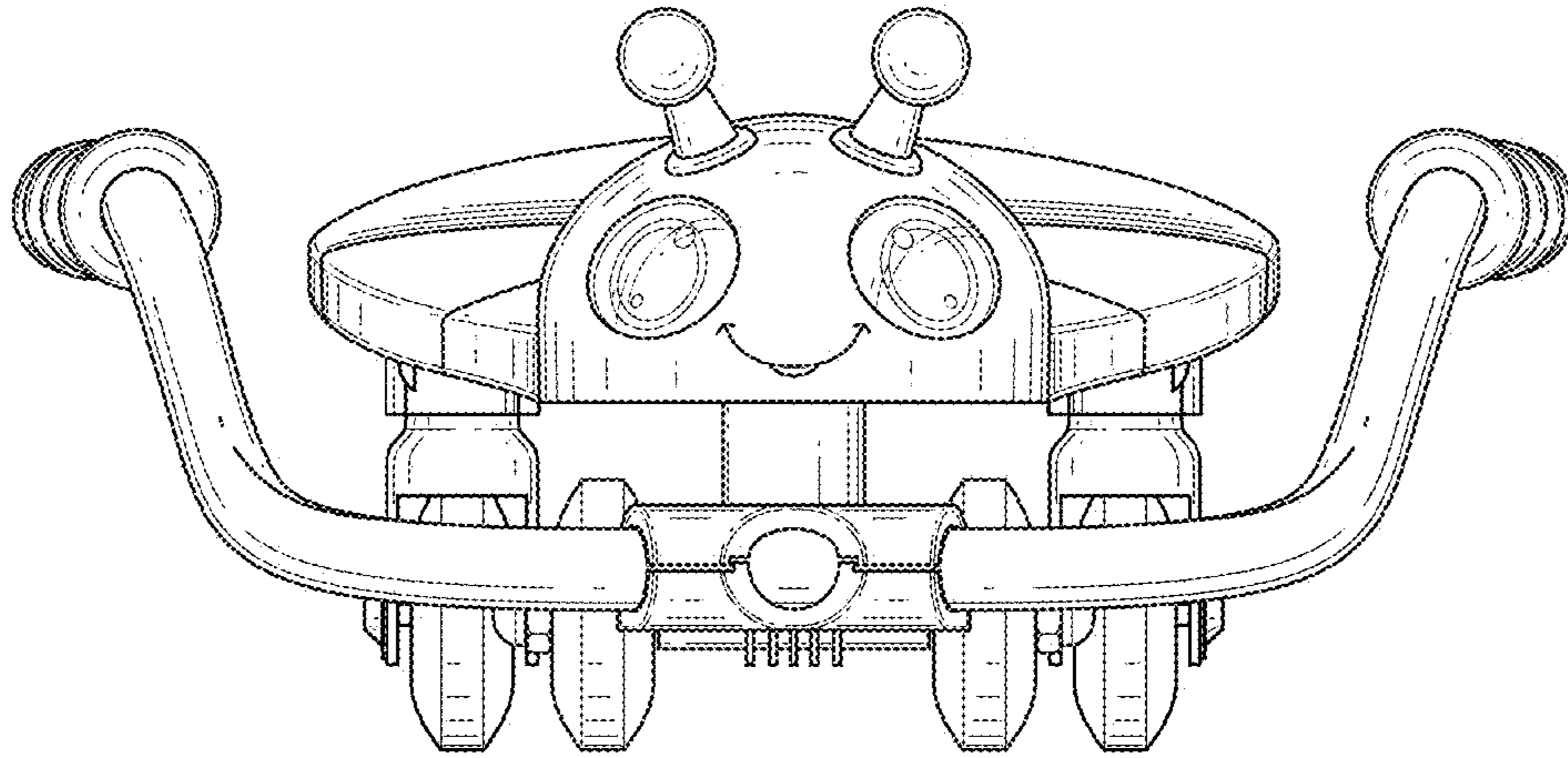


FIG. 3

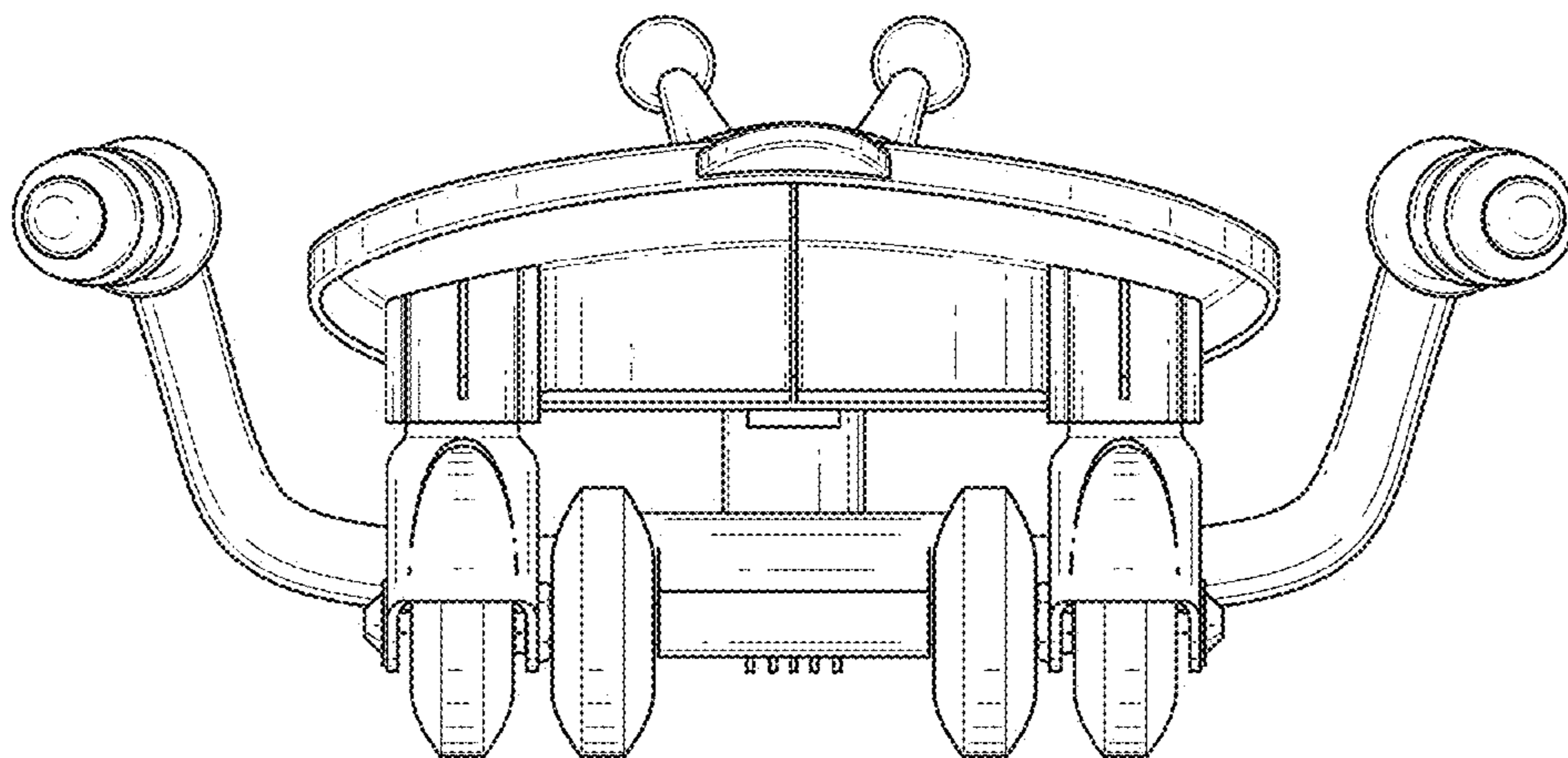


FIG. 4

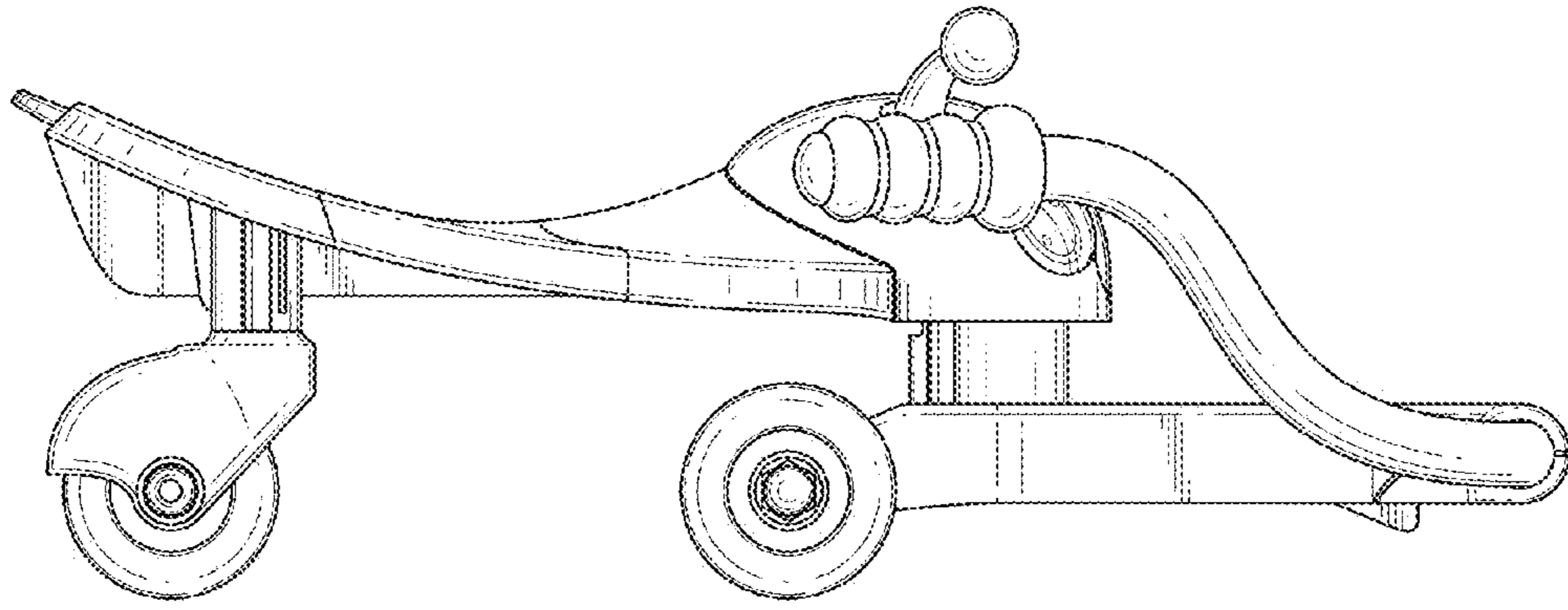


FIG. 5

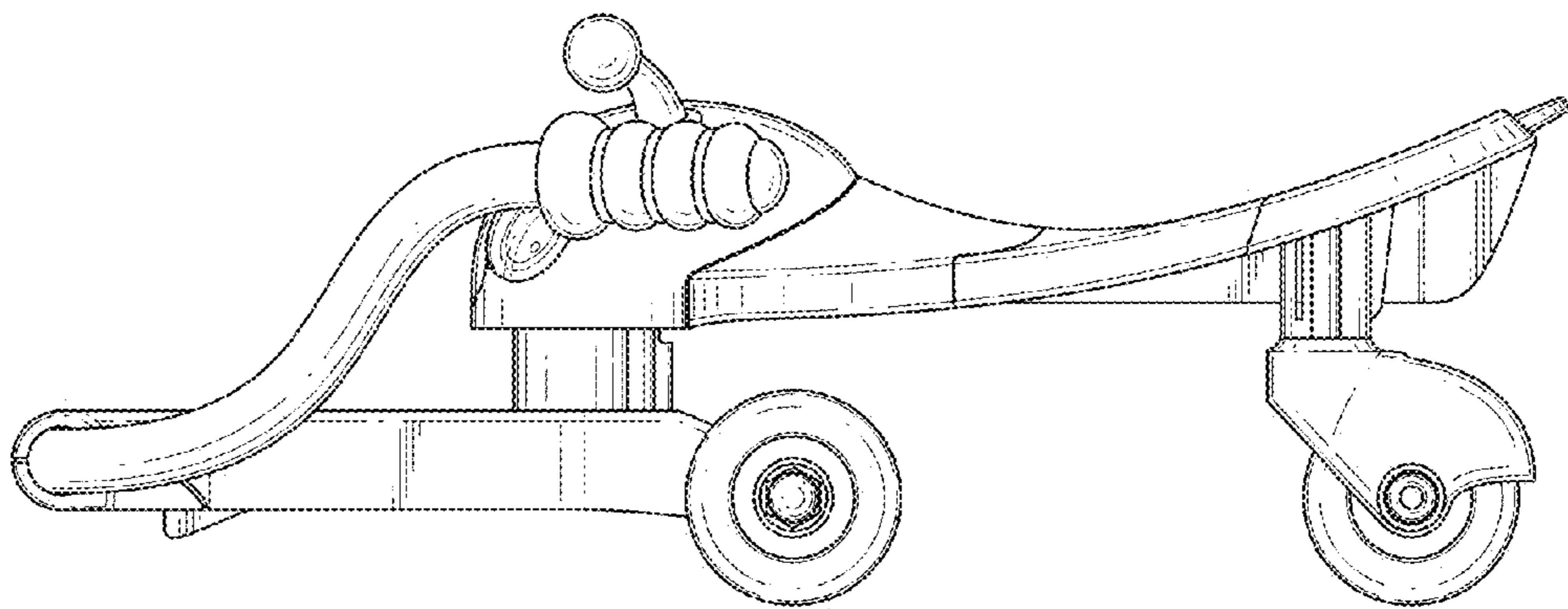


FIG. 6

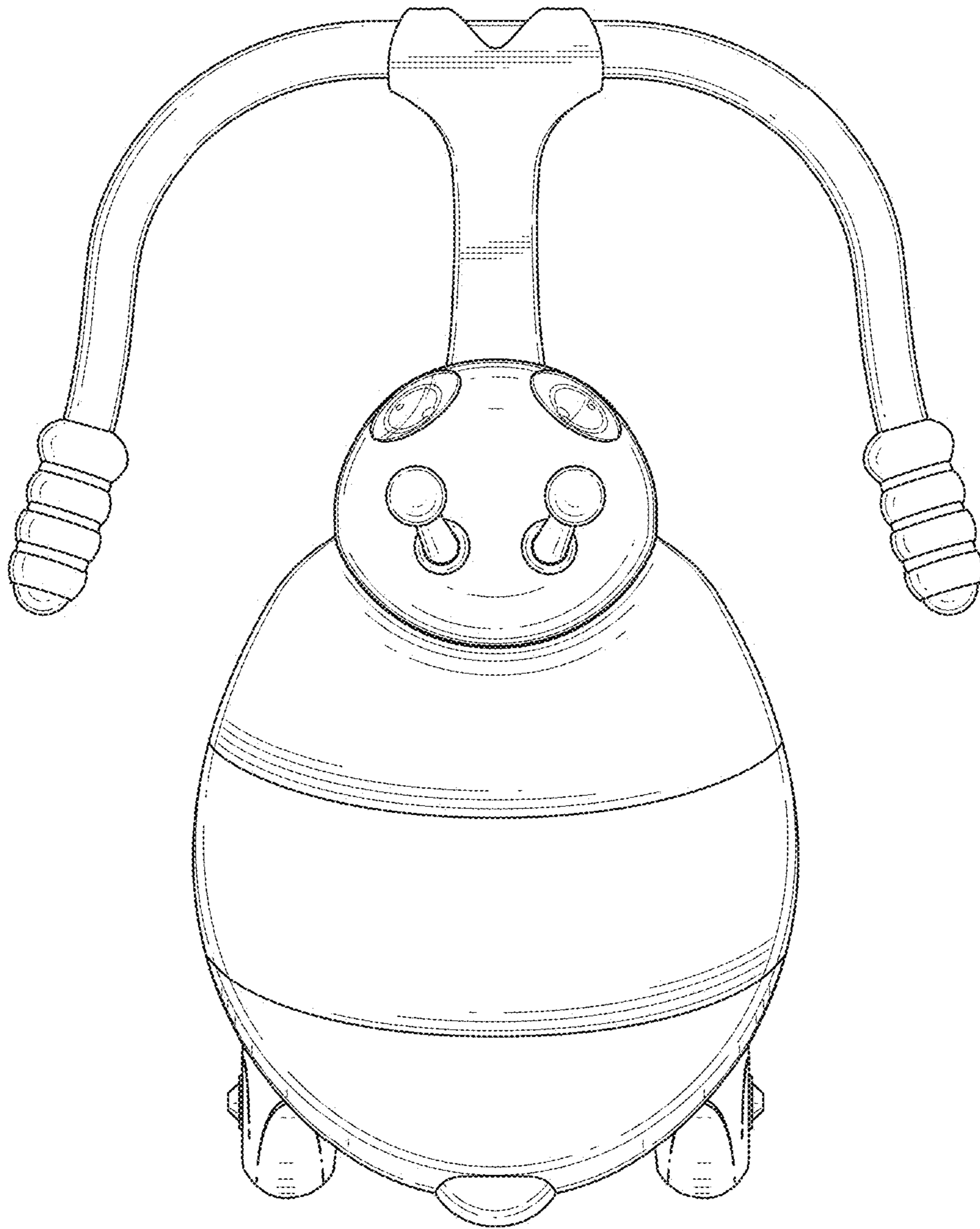


FIG. 7

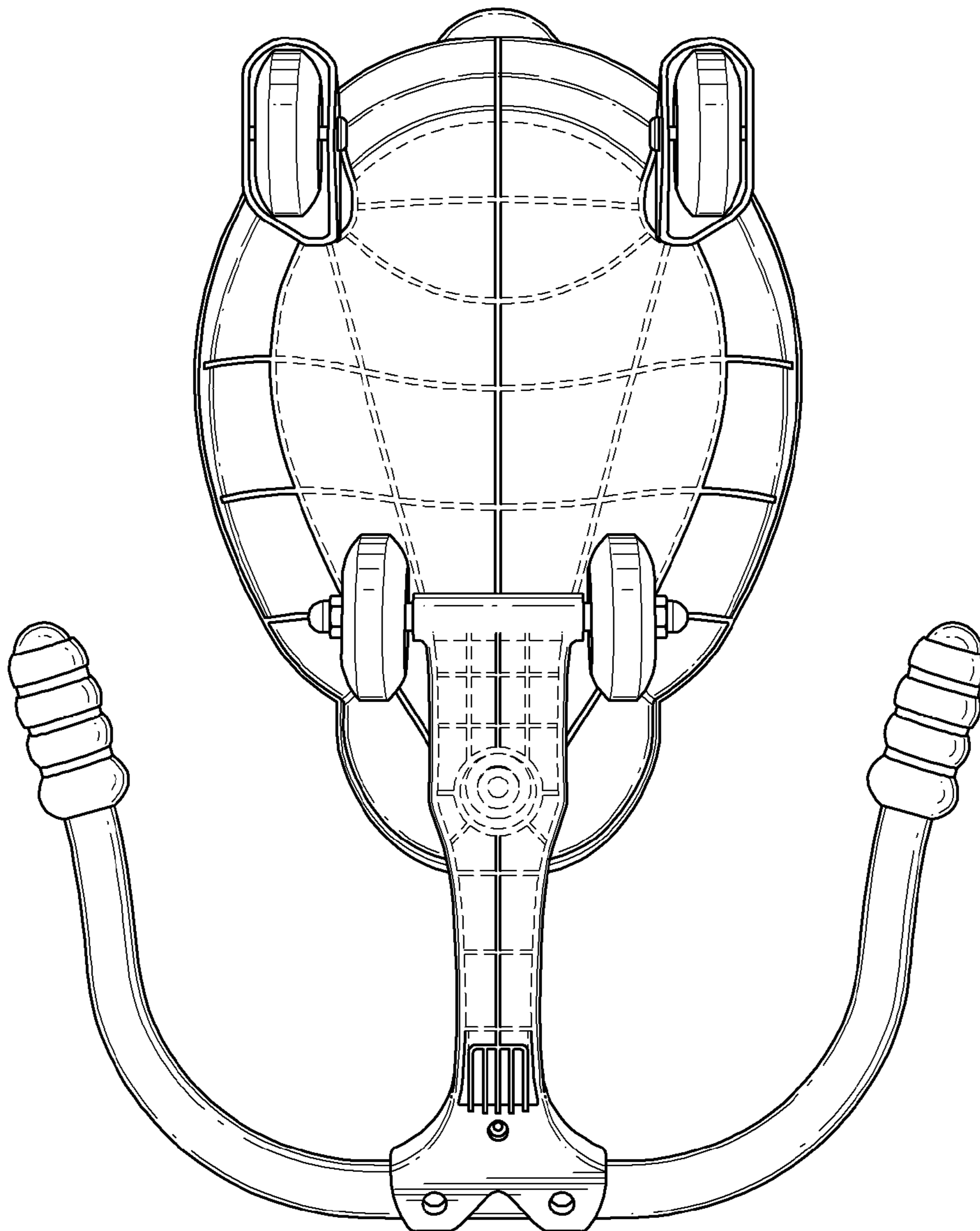


FIG. 8

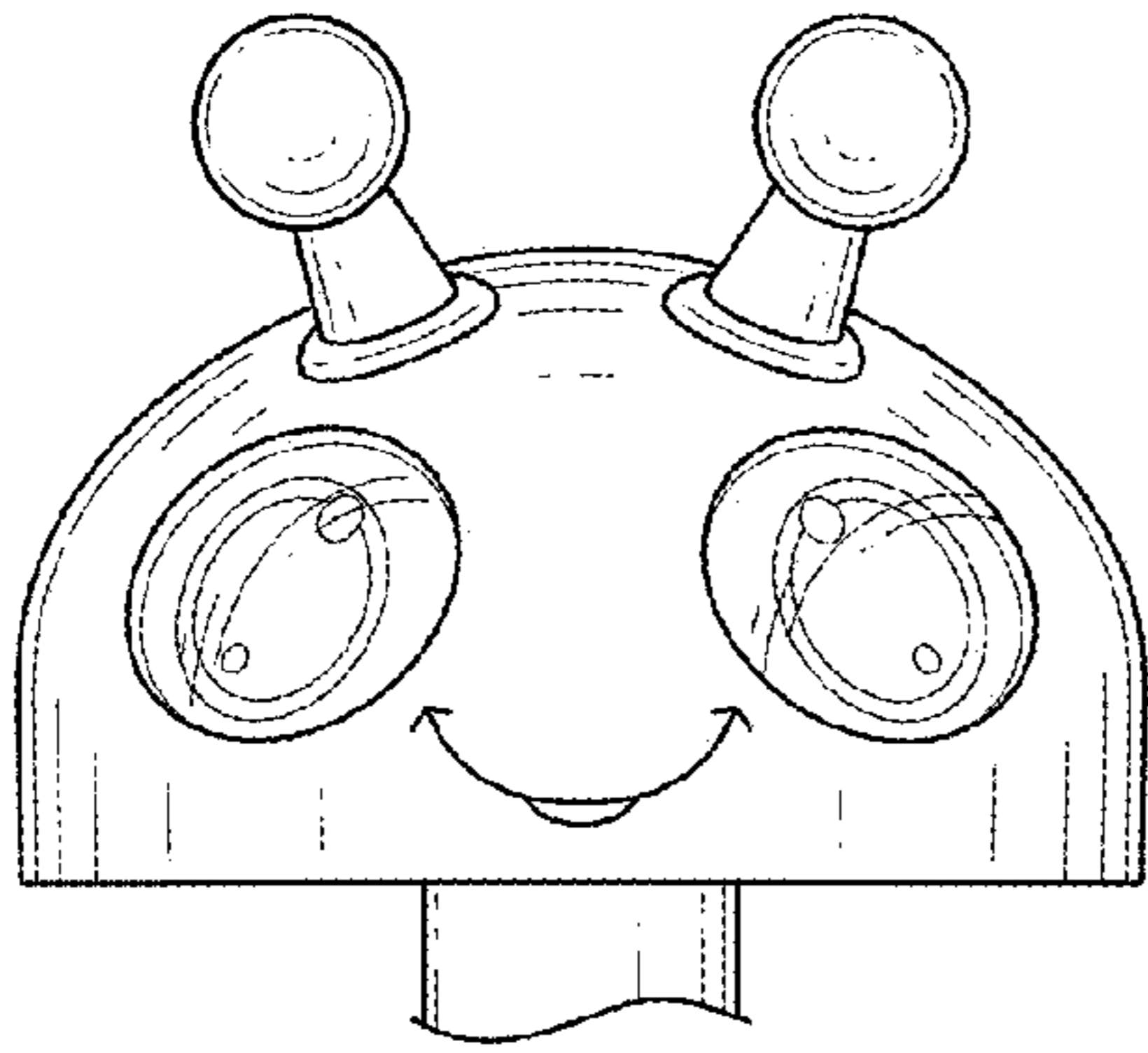


FIG. 9

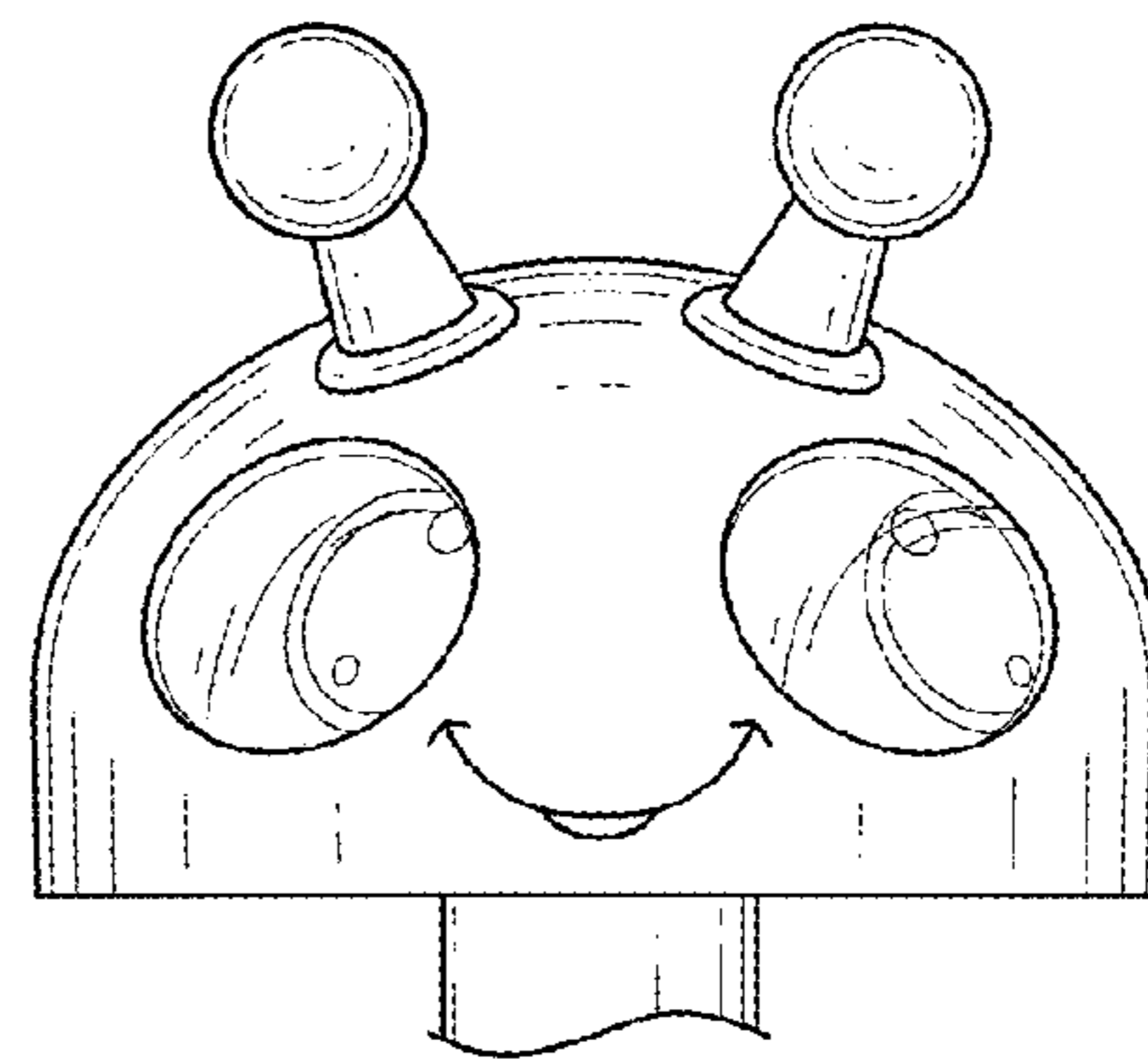


FIG. 10

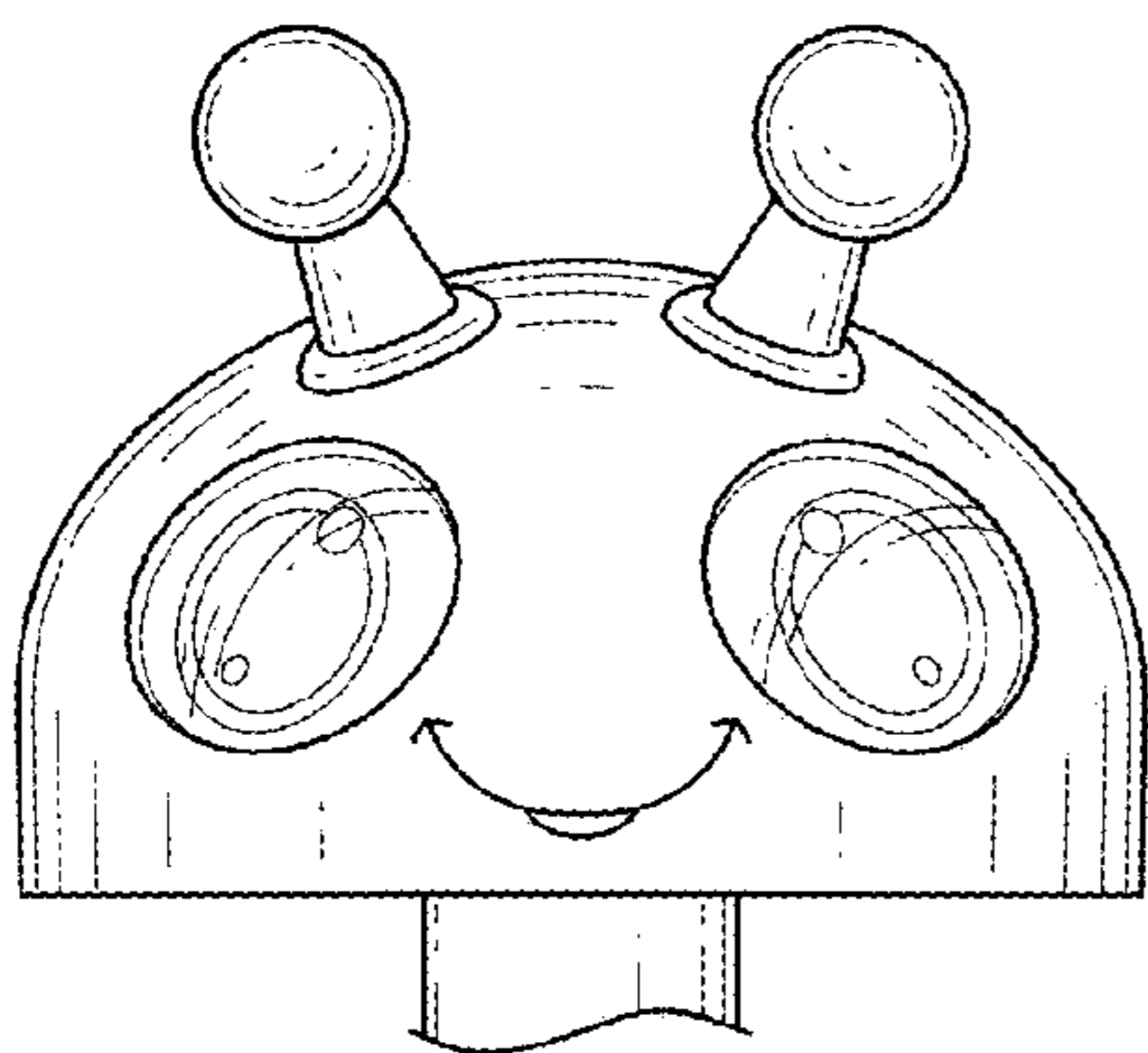


FIG. 11

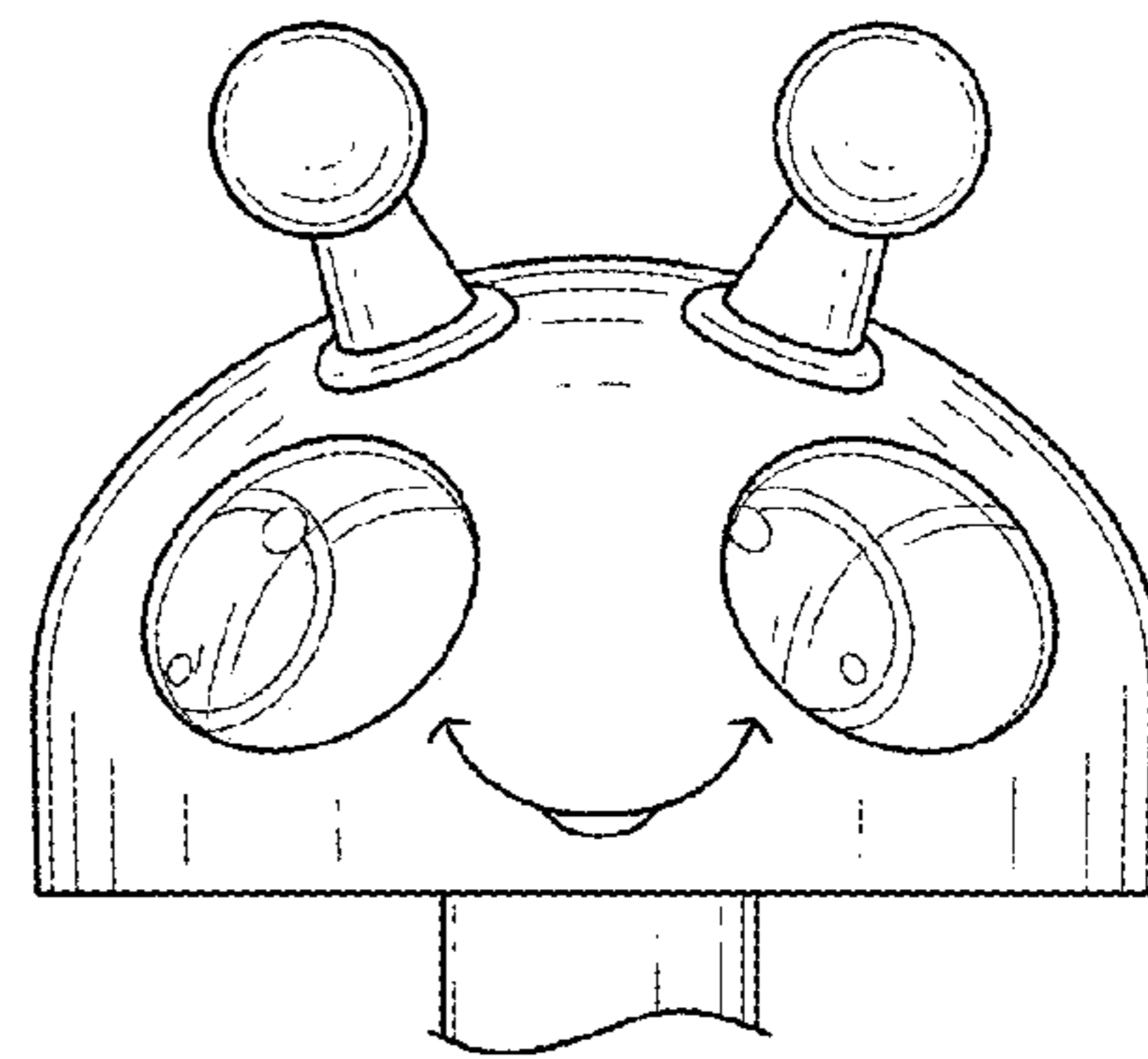


FIG. 12