

US00D765178S

(12) **United States Design Patent** (10) **Patent No.:** **US D765,178 S**  
**Sproul** (45) **Date of Patent:** **\*\* Aug. 30, 2016**

(54) **STICKER PLATFORM**

(71) Applicant: **Gigi Sproul**, Petaluma, CA (US)

(72) Inventor: **Gigi Sproul**, Petaluma, CA (US)

(73) Assignee: **MRS. GROSSMAN'S PAPER COMPANY, INC.**, Petaluma, CA (US)

(\*\*) Term: **14 Years**

(21) Appl. No.: **29/491,509**

(22) Filed: **May 21, 2014**

(51) **LOC (10) Cl.** ..... **19-08**

(52) **U.S. Cl.**  
USPC ..... **D19/10**

(58) **Field of Classification Search**

USPC ..... D19/1-12, 20-34, 100;  
40/124.01-124.15, 672, 661, 726, 776,  
40/617; 283/72, 74-75, 103, 105-117, 82,  
283/70, 94, 81, 904; 206/449, 815;  
D21/385; D20/10, 22, 27, 40, 42, 11;  
D14/435-437; 235/380-382, 487, 493,  
235/488; D6/613, 583  
CPC ..... B42D 25/00; B42D 25/20; B42D 25/23;  
B42D 25/26; B42D 25/29; B42D 25/285;  
B42D 15/022; B42D 15/027; B42D 15/045;  
B42D 15/042; B42D 2033/00; B42D  
2033/02; B42D 2033/04; B42D 2033/10;  
B42D 2033/16; B42D 2033/18; B42D  
2033/20; B42D 2033/28; B42D 2033/30;  
G09F 1/00; G09F 1/04; G09F 7/00; G09F  
7/06; G09F 7/08; G09F 7/12; G09F 7/16;  
B65D 73/0077; B65D 73/0021; B65D  
73/0078; A63H 33/38

See application file for complete search history.

(56) **References Cited**

U.S. PATENT DOCUMENTS

4,714,275 A \* 12/1987 Engel ..... A63H 33/38  
281/15.1  
5,458,231 A \* 10/1995 Belokin ..... B65D 73/0078  
206/460  
D379,642 S \* 6/1997 Pearson ..... D20/11  
D580,973 S \* 11/2008 Turner ..... D19/1  
D582,475 S \* 12/2008 Guest ..... D19/10  
D591,794 S \* 5/2009 Laass ..... D19/59  
D726,816 S \* 4/2015 Ehrlich ..... D19/9

\* cited by examiner

*Primary Examiner* — Abraham Bahta

(74) *Attorney, Agent, or Firm* — Francis Law Group

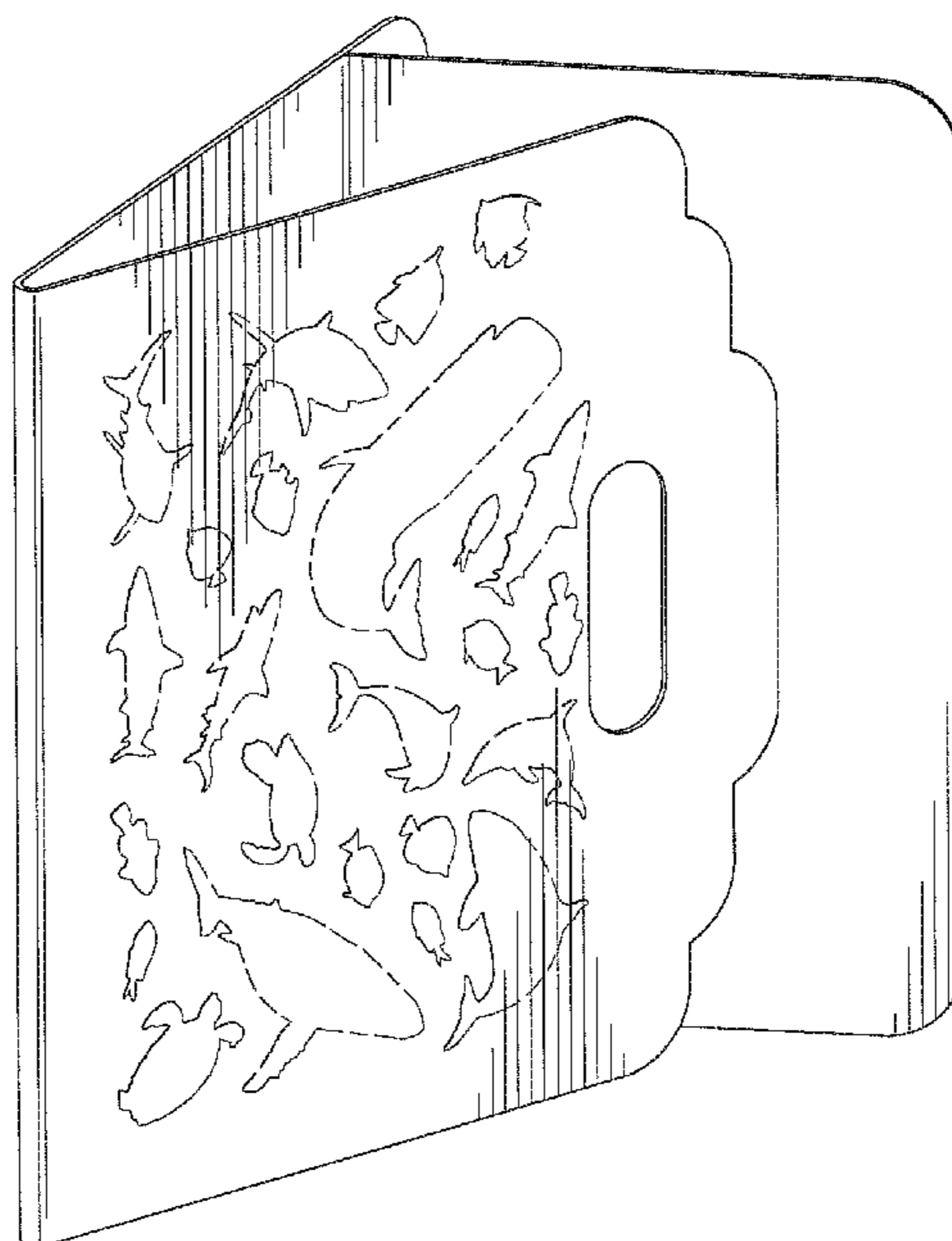
(57) **CLAIM**

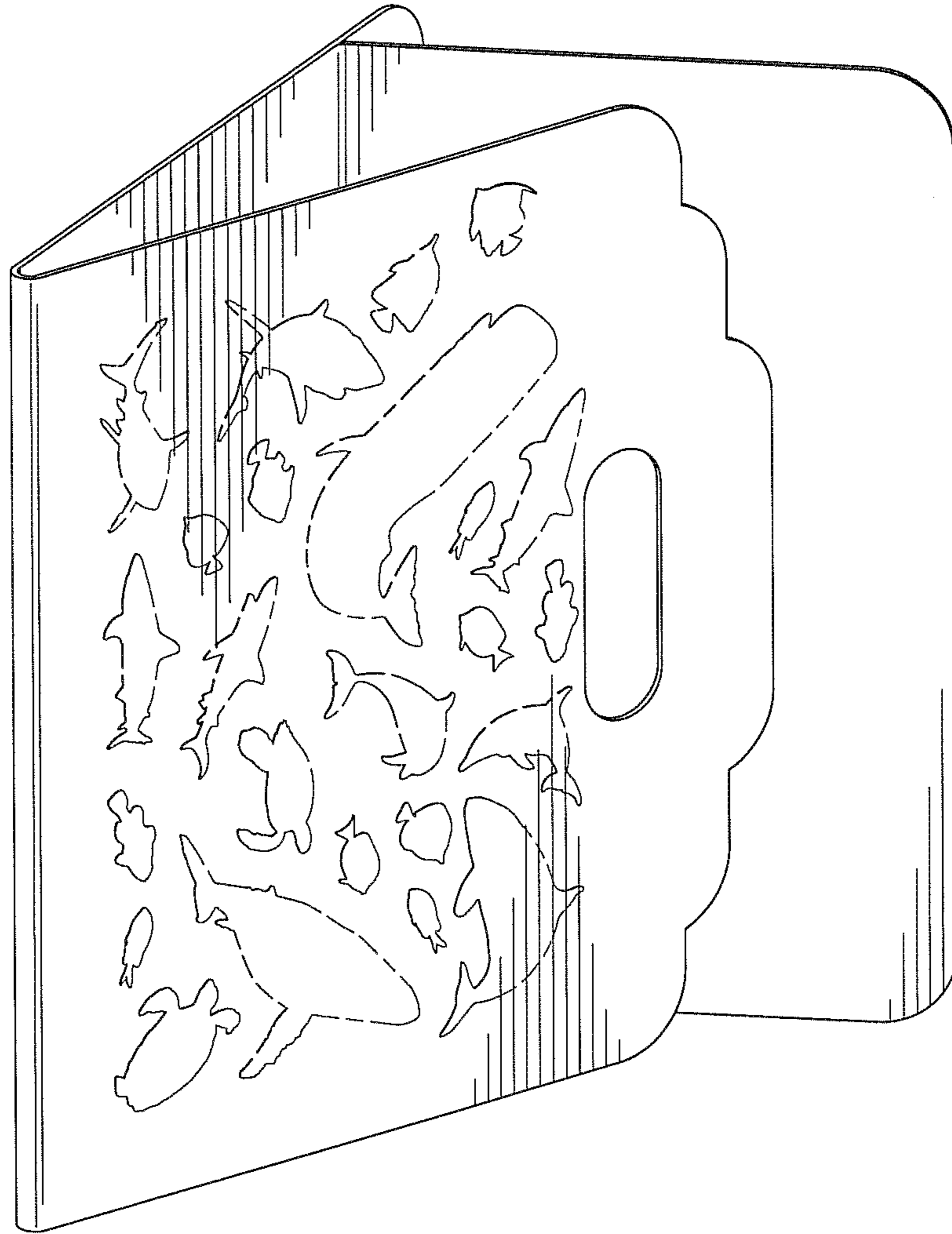
I claim the ornamental design for a sticker platform, as shown and described.

**DESCRIPTION**

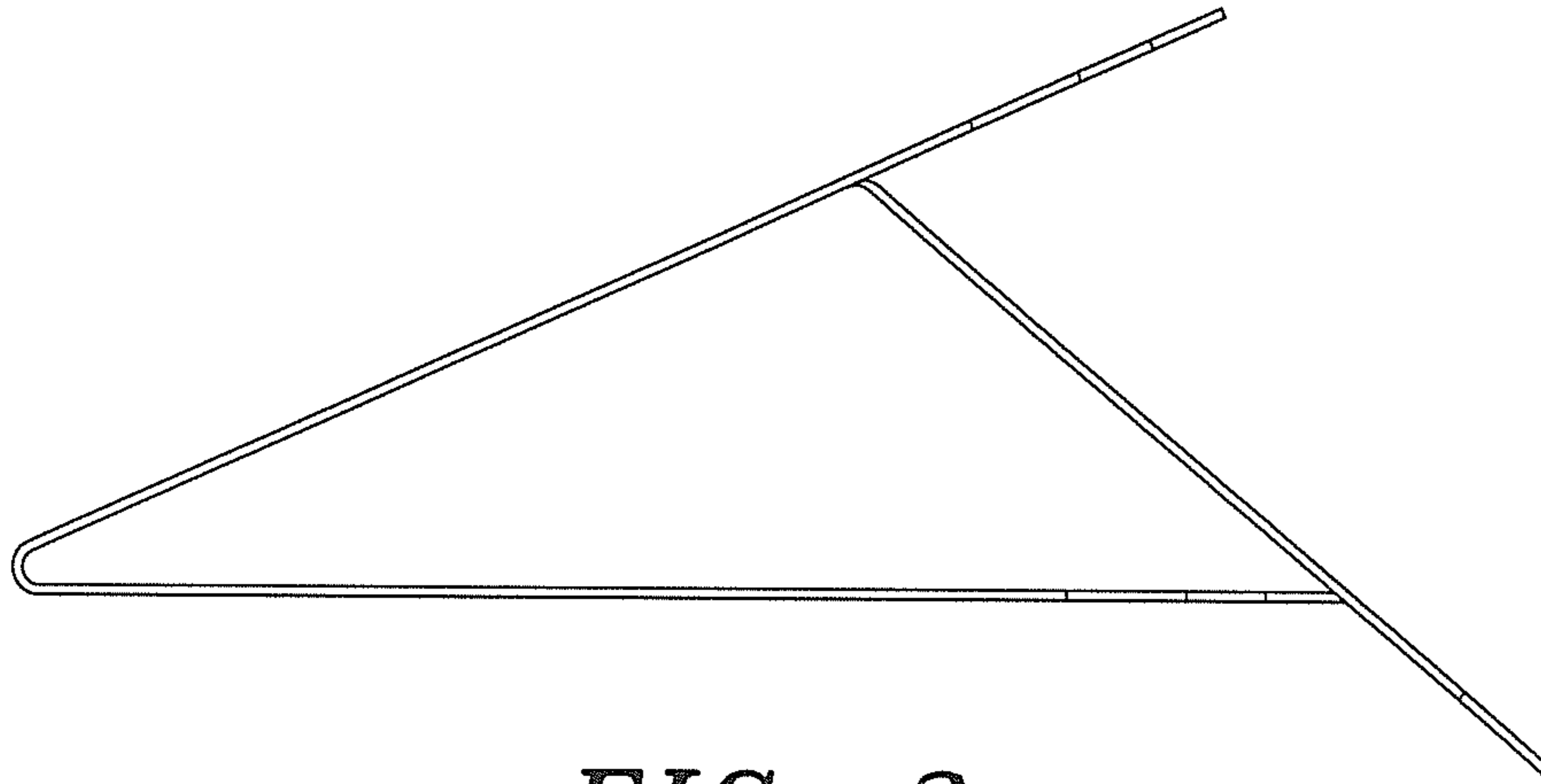
FIG. 1 is a front perspective view of my new design for a sticker platform;  
FIG. 2 is a top elevational view thereof;  
FIG. 3 is a bottom elevational view thereof;  
FIG. 4 is a front elevational view thereof;  
FIG. 5 is a rear elevational view thereof;  
FIG. 6 is a right side elevational view thereof; and,  
FIG. 7 is a left side elevational view thereof.  
The broken line showing of stickers in FIG. 1 is included for the purpose of illustrating environmental structure and forms no part of the claimed design.

**1 Claim, 4 Drawing Sheets**

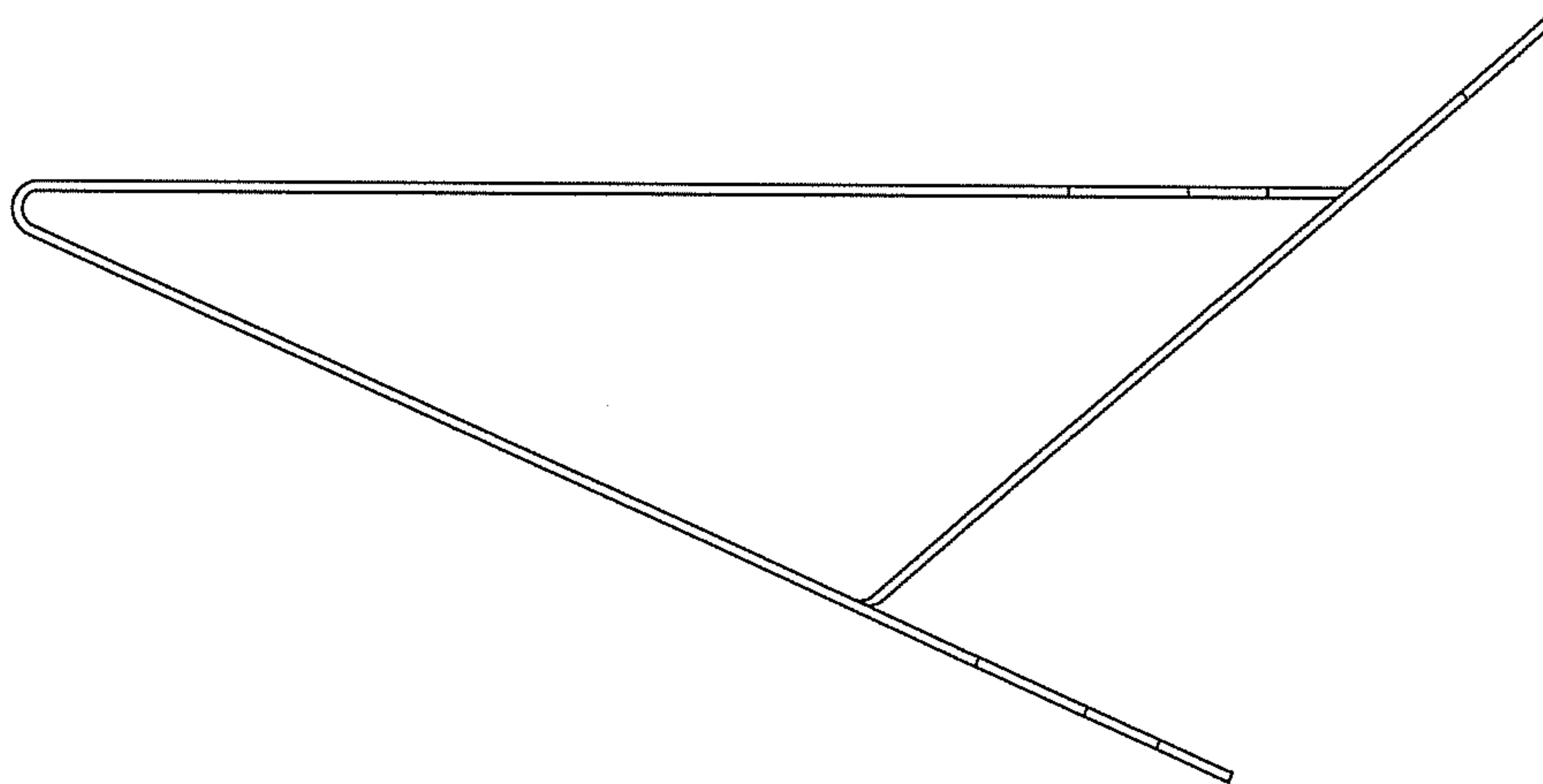




*FIG. 1*

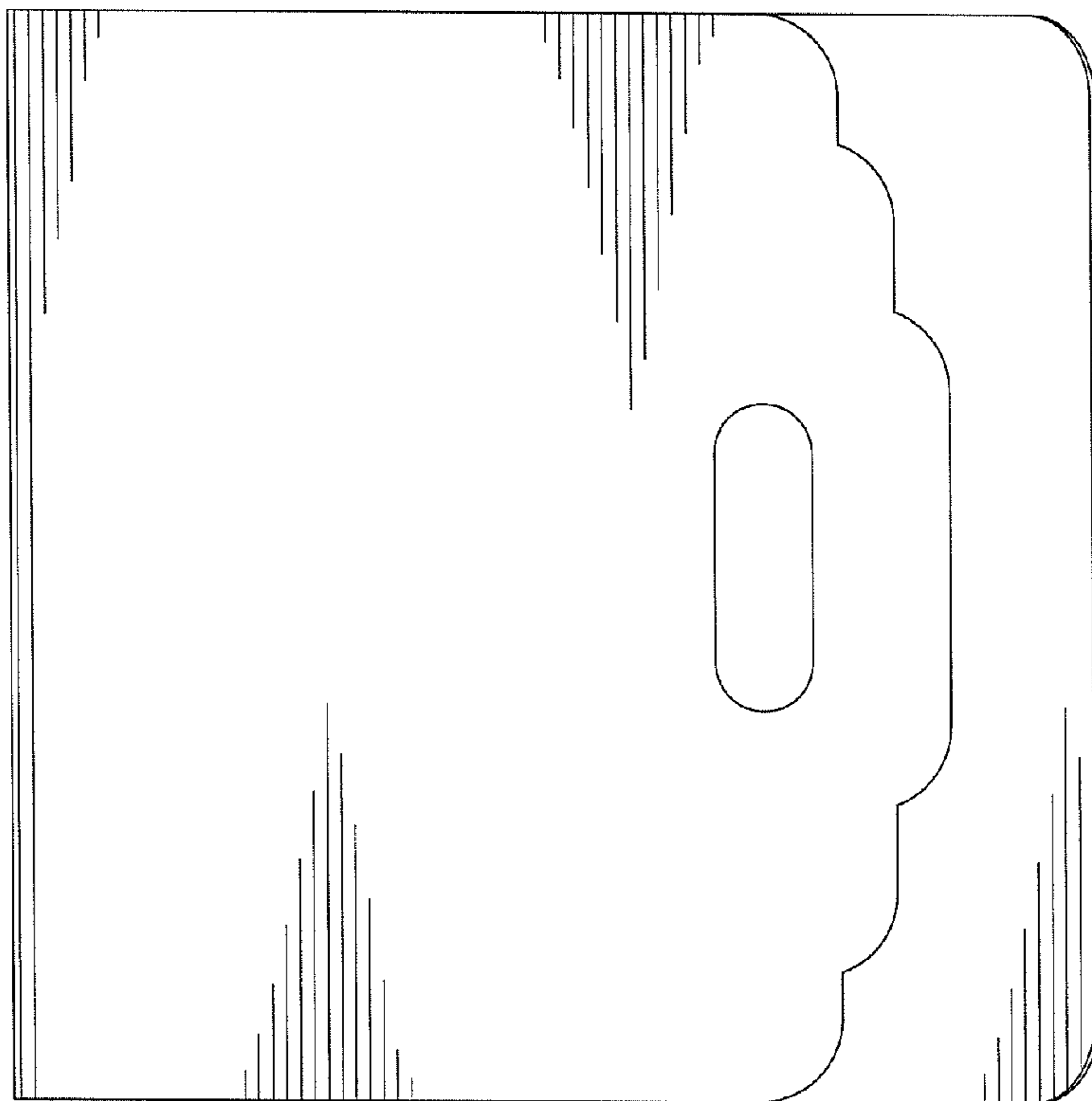


*FIG. 2*

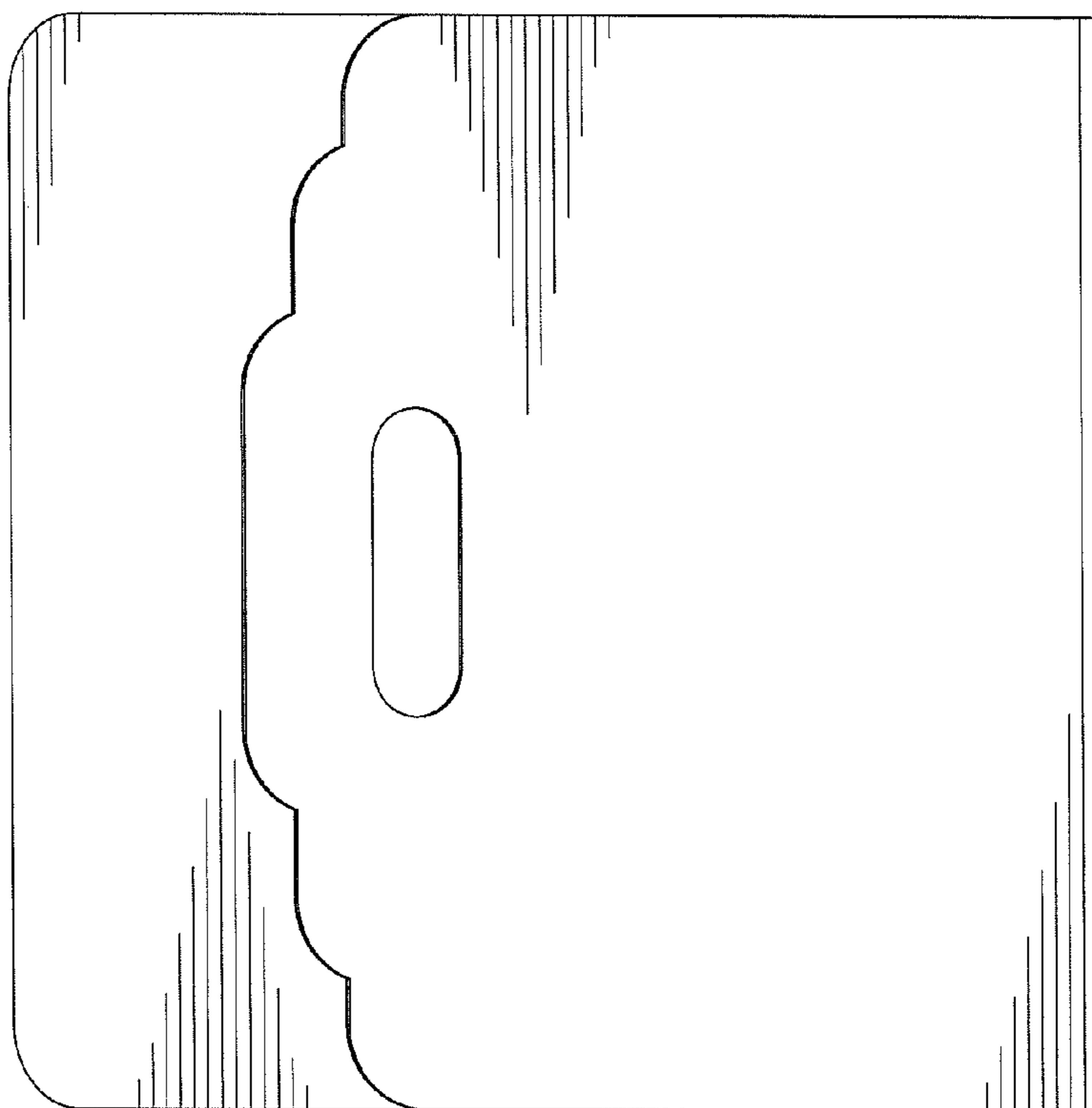


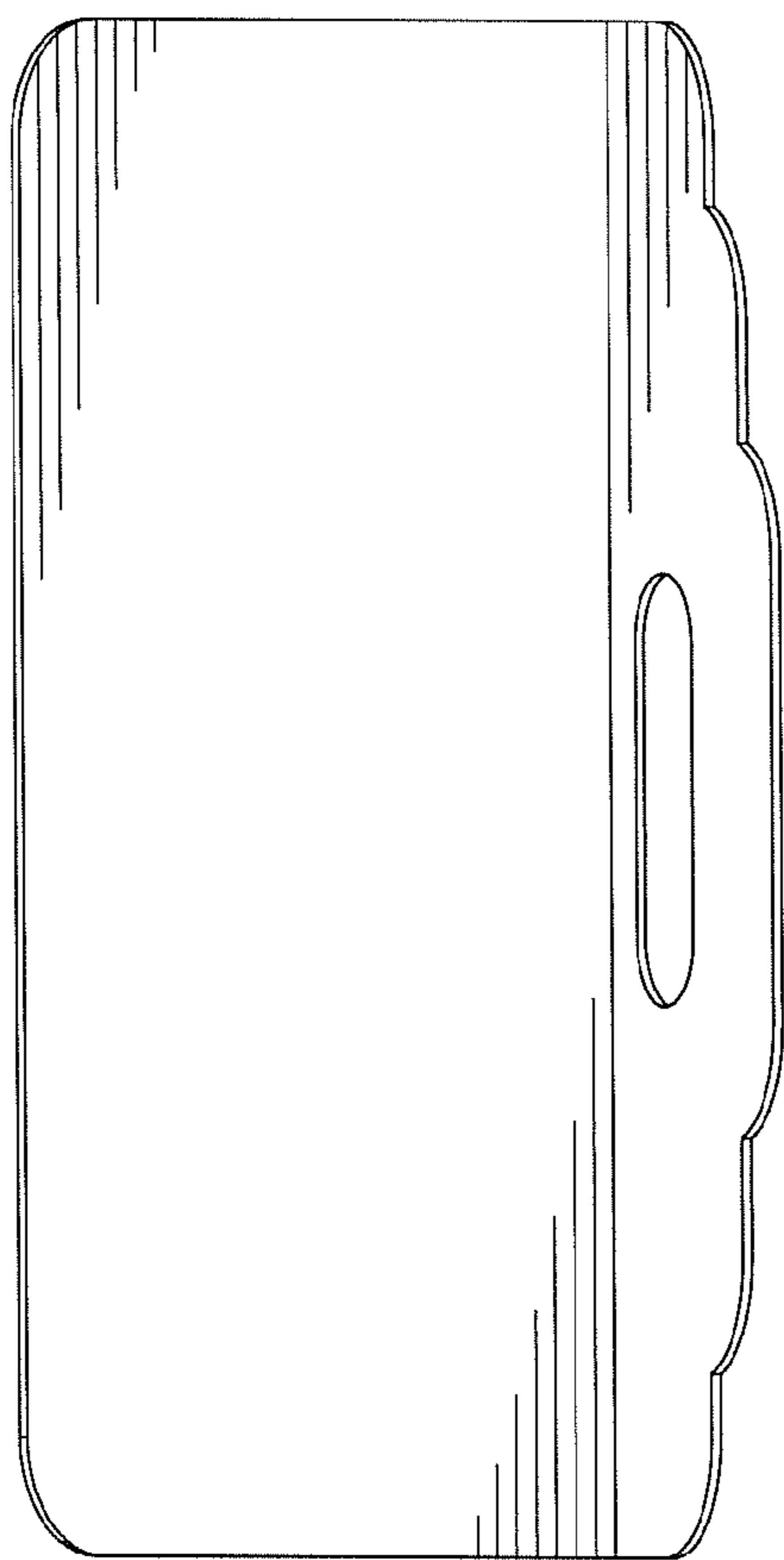
*FIG. 3*

*FIG. 4*

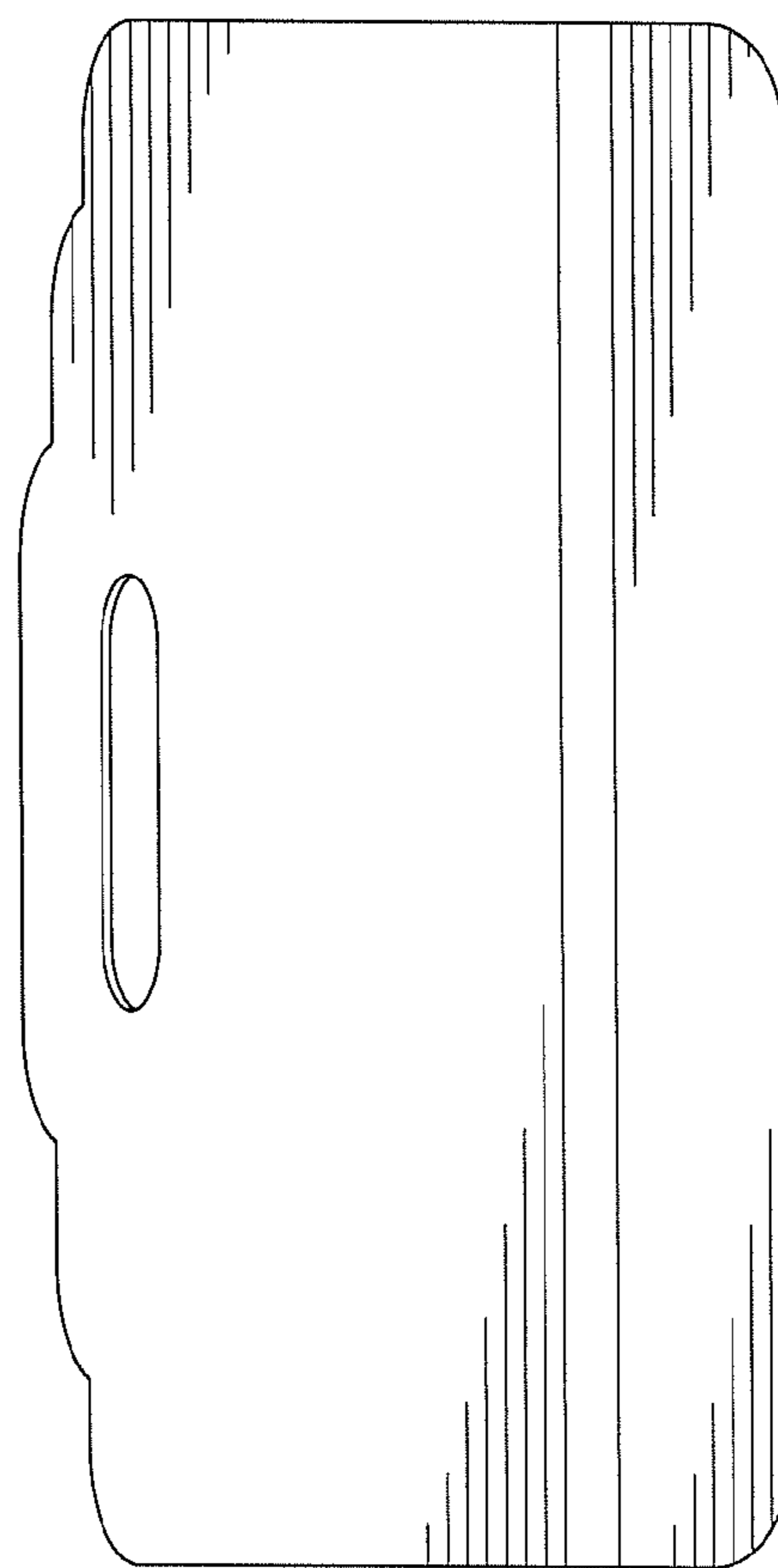


*FIG. 5*





*FIG. 6*



*FIG. 7*