



US00D765167S

(12) **United States Design Patent**
Kim et al.

(10) **Patent No.:** **US D765,167 S**

(45) **Date of Patent:** **** Aug. 30, 2016**

(54) **PRINTER**

(71) Applicant: **Samsung Electronics Co., Ltd.**,
Suwon-si (KR)

(72) Inventors: **Kyong Hwan Kim**, Seoul (KR); **Seung Wook Jeong**, Seoul (KR)

(73) Assignee: **Samsung Electronics Co., Ltd.**,
Suwon-si (KR)

(**) Term: **14 Years**

(21) Appl. No.: **29/492,405**

(22) Filed: **May 30, 2014**

(30) **Foreign Application Priority Data**

Dec. 18, 2013 (KR) 30-2013-0064087

(51) **LOC (10) Cl.** **14-02**

(52) **U.S. Cl.**
USPC **D18/50**

(58) **Field of Classification Search**
USPC D18/14, 19, 50, 53, 54, 54.1, 55;
D14/420-425, 462-470; 400/613,
400/613.1-613.4, 690.1-690.4, 691-694
CPC B41J 1/46; B41J 3/36; B41J 9/26;
B41J 15/00; B41J 29/02; B41J 29/13; B41J
35/36; B41J 11/00; B41J 11/20; B41J 29/00;
B65H 35/06; G03G 15/00; G03G 21/00;
G03G 21/16; G06F 3/12; G06K 15/14
See application file for complete search history.

(56) **References Cited**

U.S. PATENT DOCUMENTS

D287,497 S * 12/1986 Goodner et al. D18/55
D292,294 S * 10/1987 Nishibori et al. D18/36
D313,617 S * 1/1991 Kosako et al. D18/37
D317,937 S * 7/1991 Uchihori et al. D18/54
D339,373 S * 9/1993 Gassett et al. D18/50

D340,721 S * 10/1993 Hirose et al. D14/464
D345,758 S * 4/1994 Fukuda D18/49
D357,907 S * 5/1995 Kosako et al. D14/425
D362,674 S * 9/1995 Ishibashi et al. D18/39
D382,295 S * 8/1997 Bixler et al. D18/55
D421,425 S * 3/2000 Yamano et al. D14/425
D434,434 S * 11/2000 Short et al. D18/55
D448,403 S * 9/2001 Omuro et al. D14/425
D466,917 S * 12/2002 Liu D18/36
D522,047 S * 5/2006 Ko et al. D18/55
D535,324 S * 1/2007 Park et al. D18/50
D537,869 S * 3/2007 Gant et al. D18/54
D548,278 S * 8/2007 Wood et al. D18/50
D573,178 S * 7/2008 Lee et al. D18/50
D675,674 S * 2/2013 Sato D18/50

(Continued)

Primary Examiner — Cathy Anne MacCormac

(74) *Attorney, Agent, or Firm* — NSIP Law

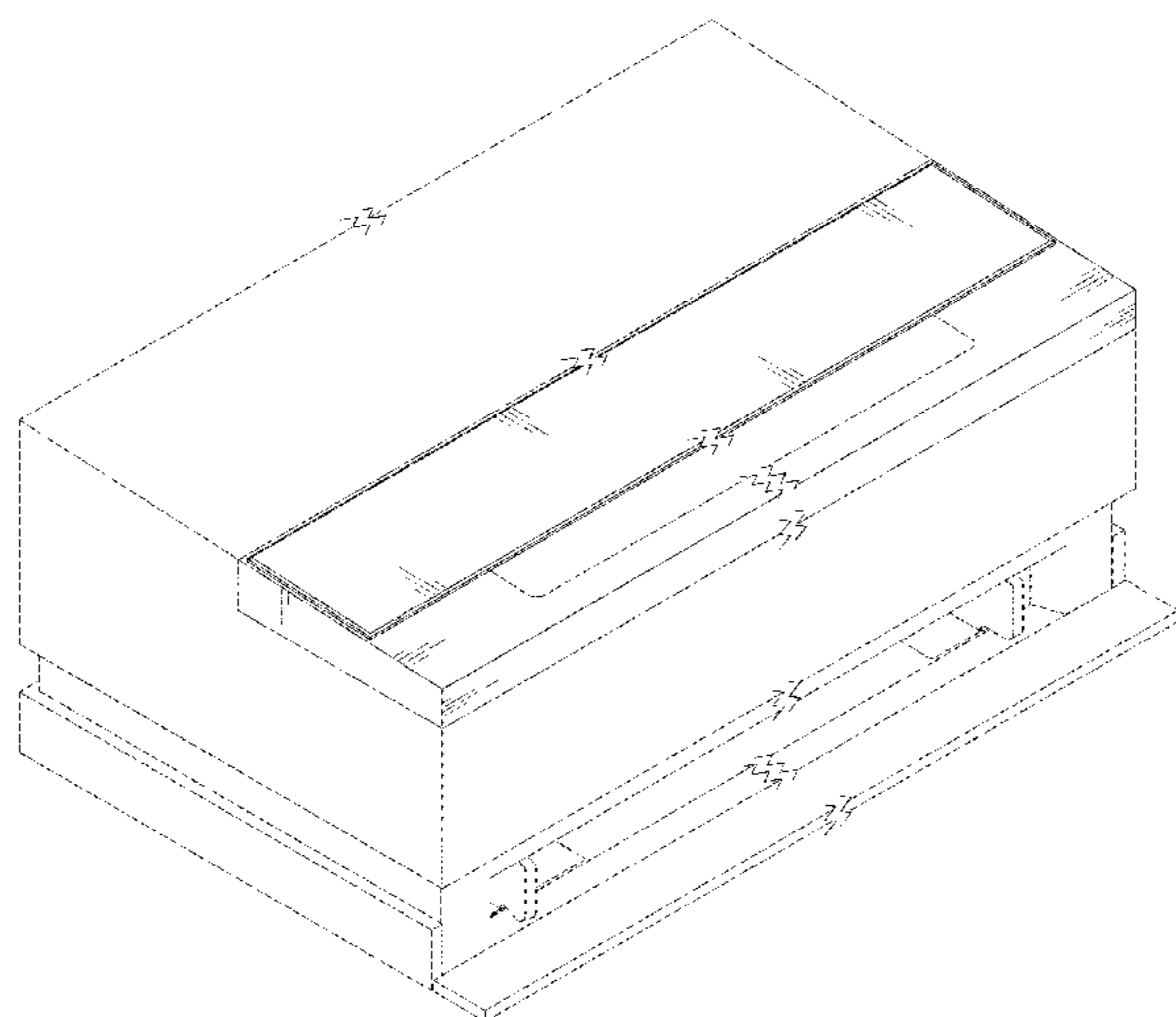
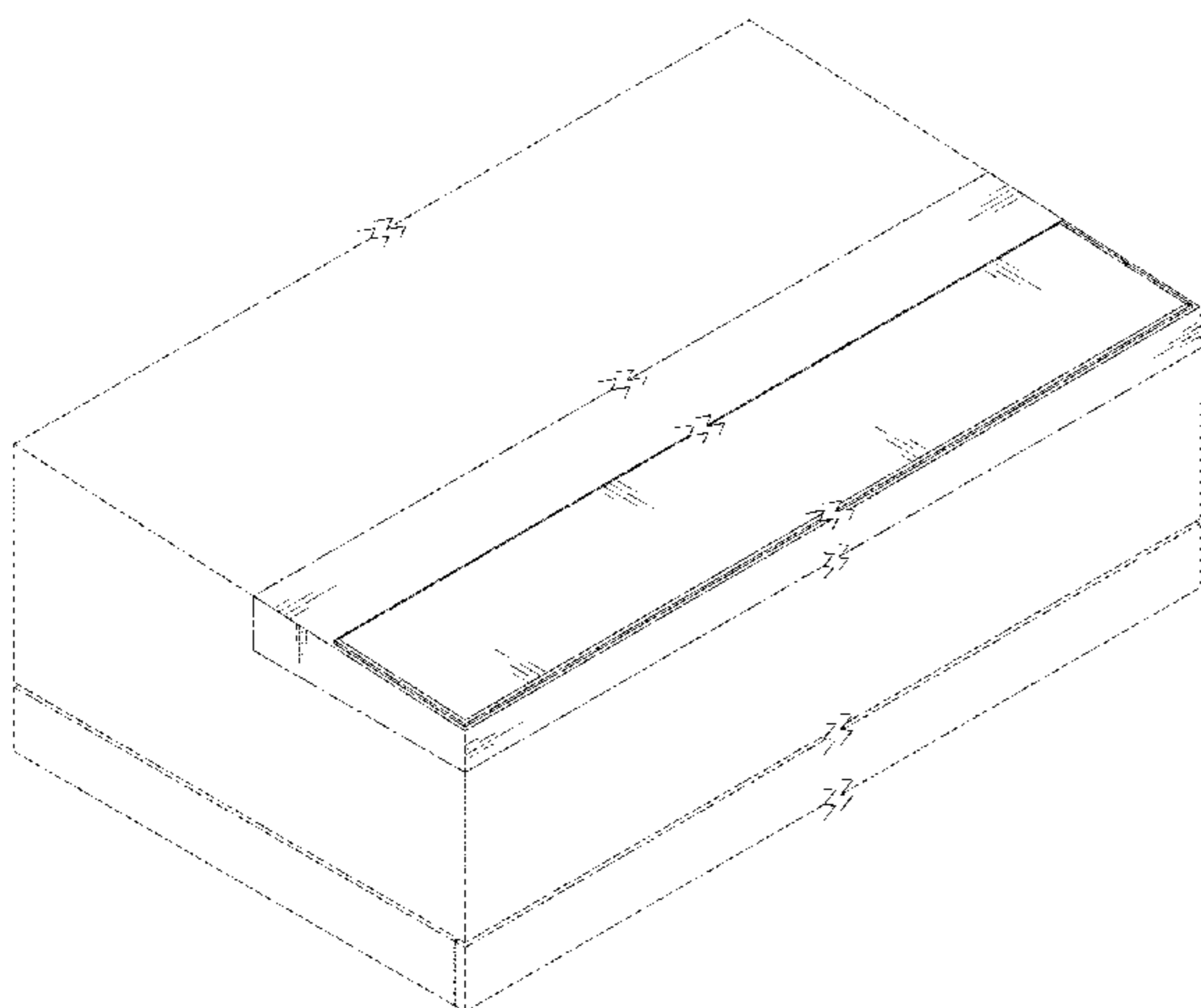
(57) **CLAIM**

We claim the ornamental design for a printer, as shown and described.

DESCRIPTION

FIG. 1 is a front perspective view of a printer showing our new design;
FIG. 2 is a front view thereof;
FIG. 3 is a rear view thereof;
FIG. 4 is a left-side view thereof;
FIG. 5 is a right-side view thereof;
FIG. 6 is a top view thereof;
FIG. 7 is a bottom view thereof; and,
FIG. 8 is another front perspective view of FIG. 1, showing the printer in an alternate position.
The dot-dash lines in the figures represent an unclaimed boundary line and form no part of the claimed design.
The broken lines depict environmental subject matter only and form no part of the claimed design.
The printer is shown with symbolic breaks in its width. The appearance of any portion of the article between the break lines forms no part of the claimed design.

1 Claim, 8 Drawing Sheets



US D765,167 S

Page 2

(56)

References Cited

U.S. PATENT DOCUMENTS

D683,394 S *	5/2013	Suzuki et al.	D18/50
D705,861 S *	5/2014	Tjin et al.	D18/50
D730,437 S *	5/2015	Seki et al.	D18/50
D681,720 S *	5/2013	Inada	D18/50

* cited by examiner

FIG. 1

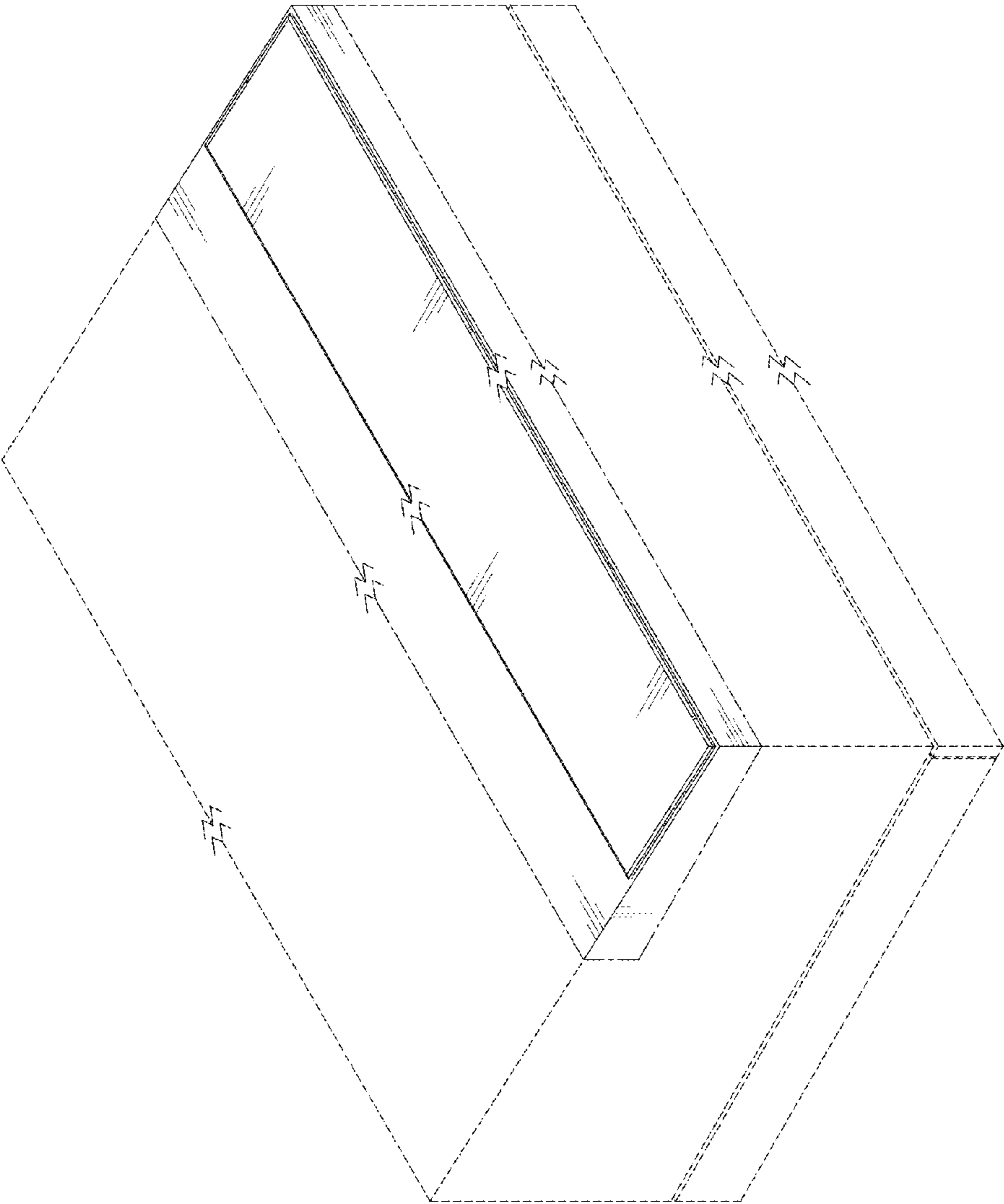


FIG. 2

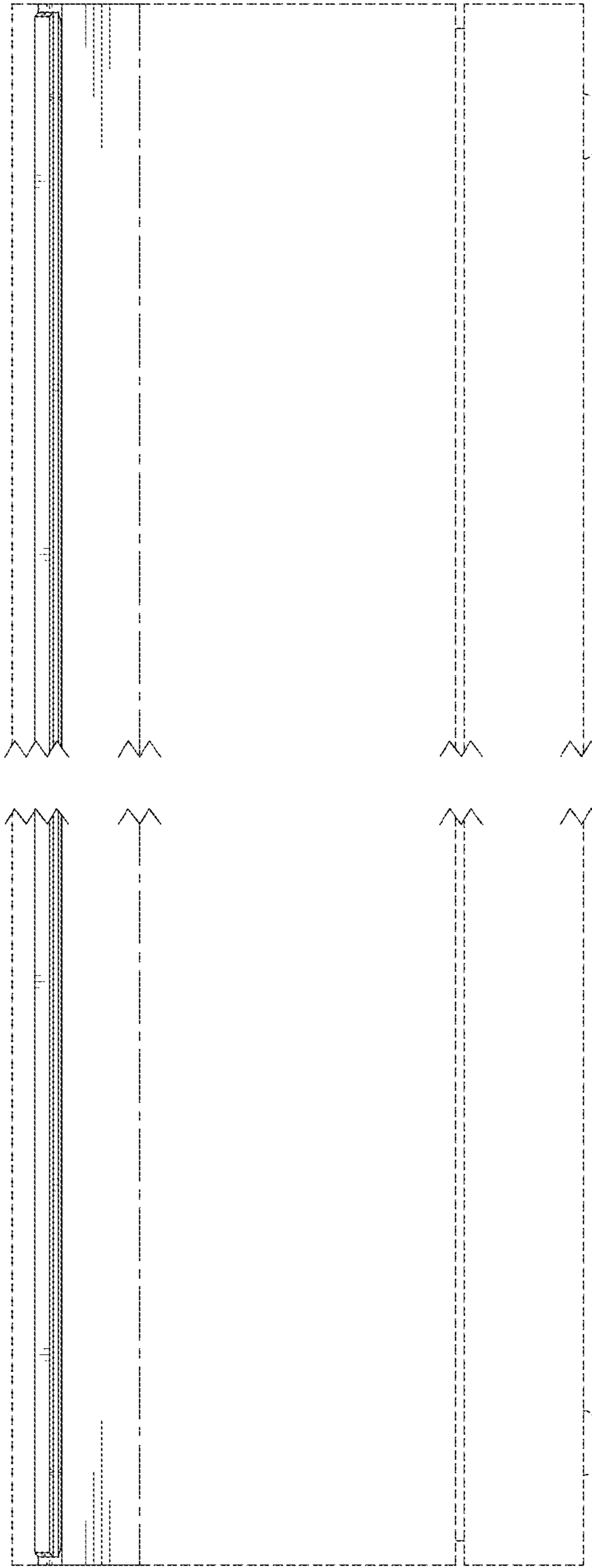


FIG. 3

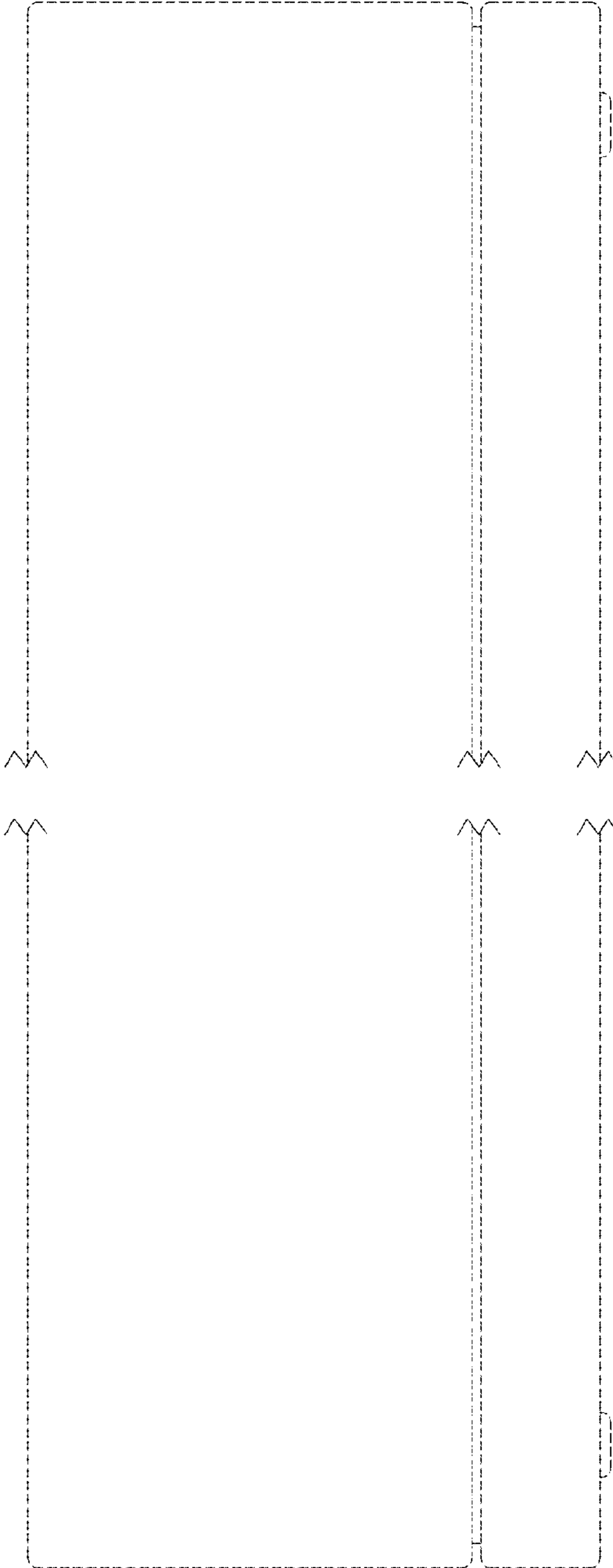


FIG. 4

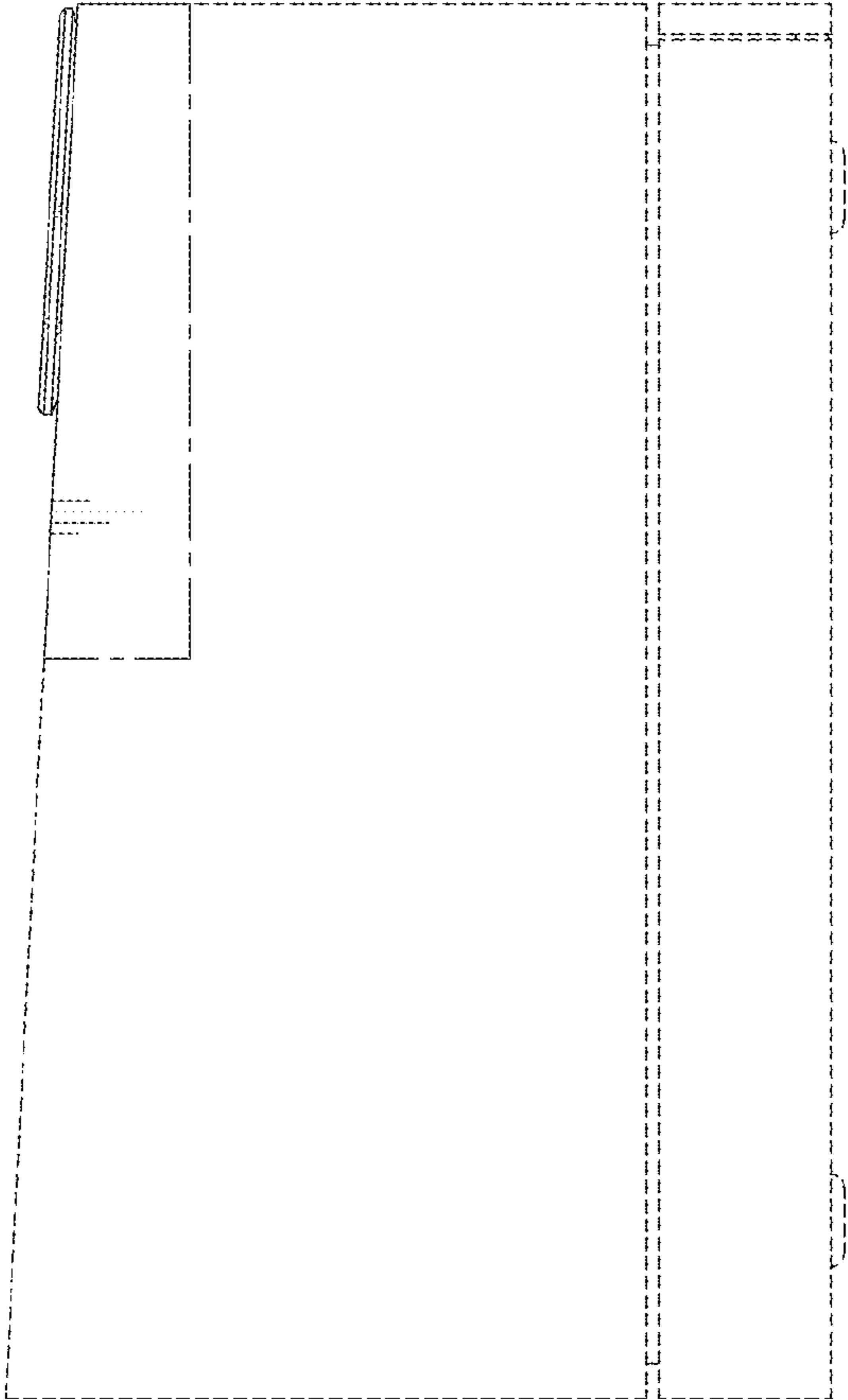


FIG. 5

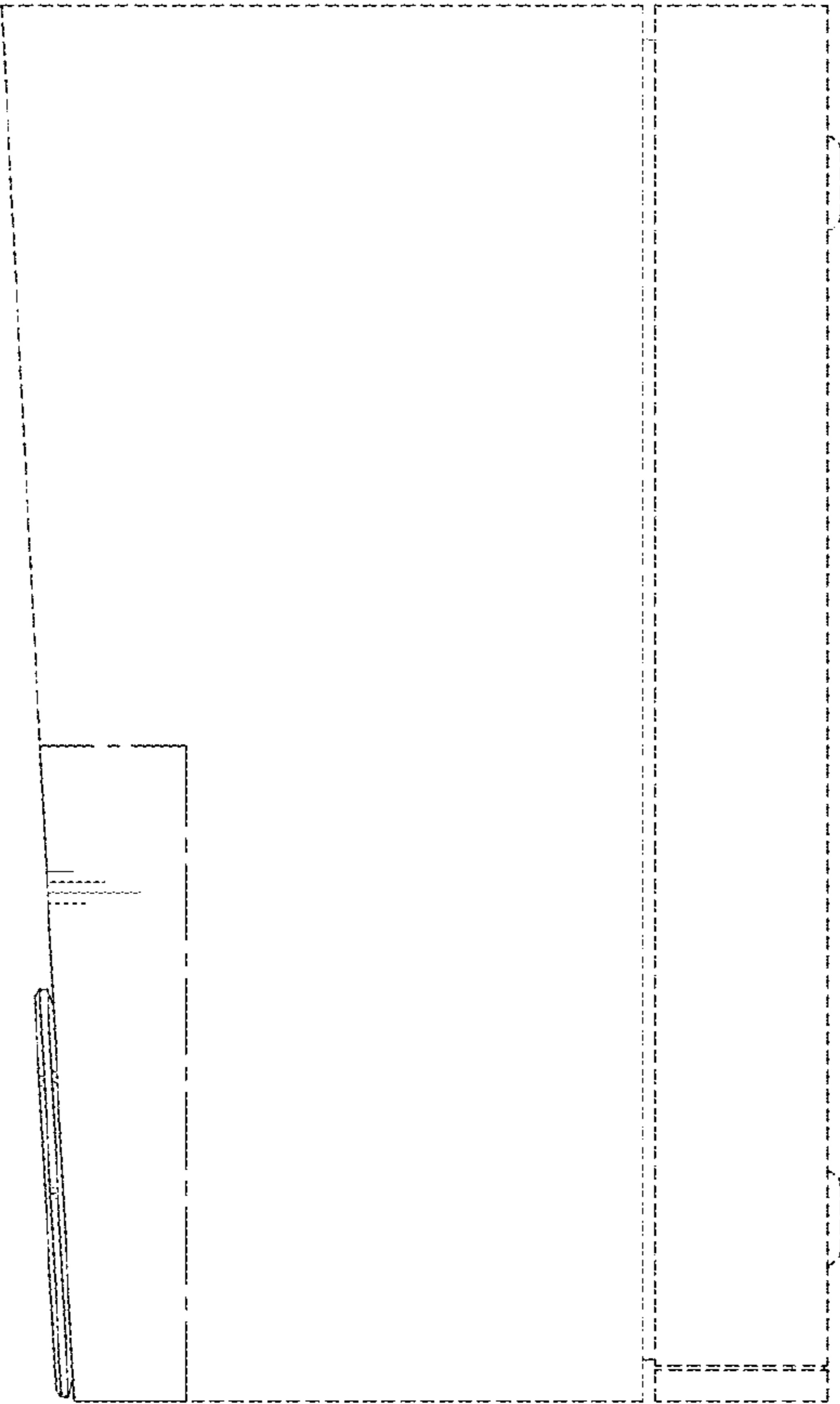


FIG. 6

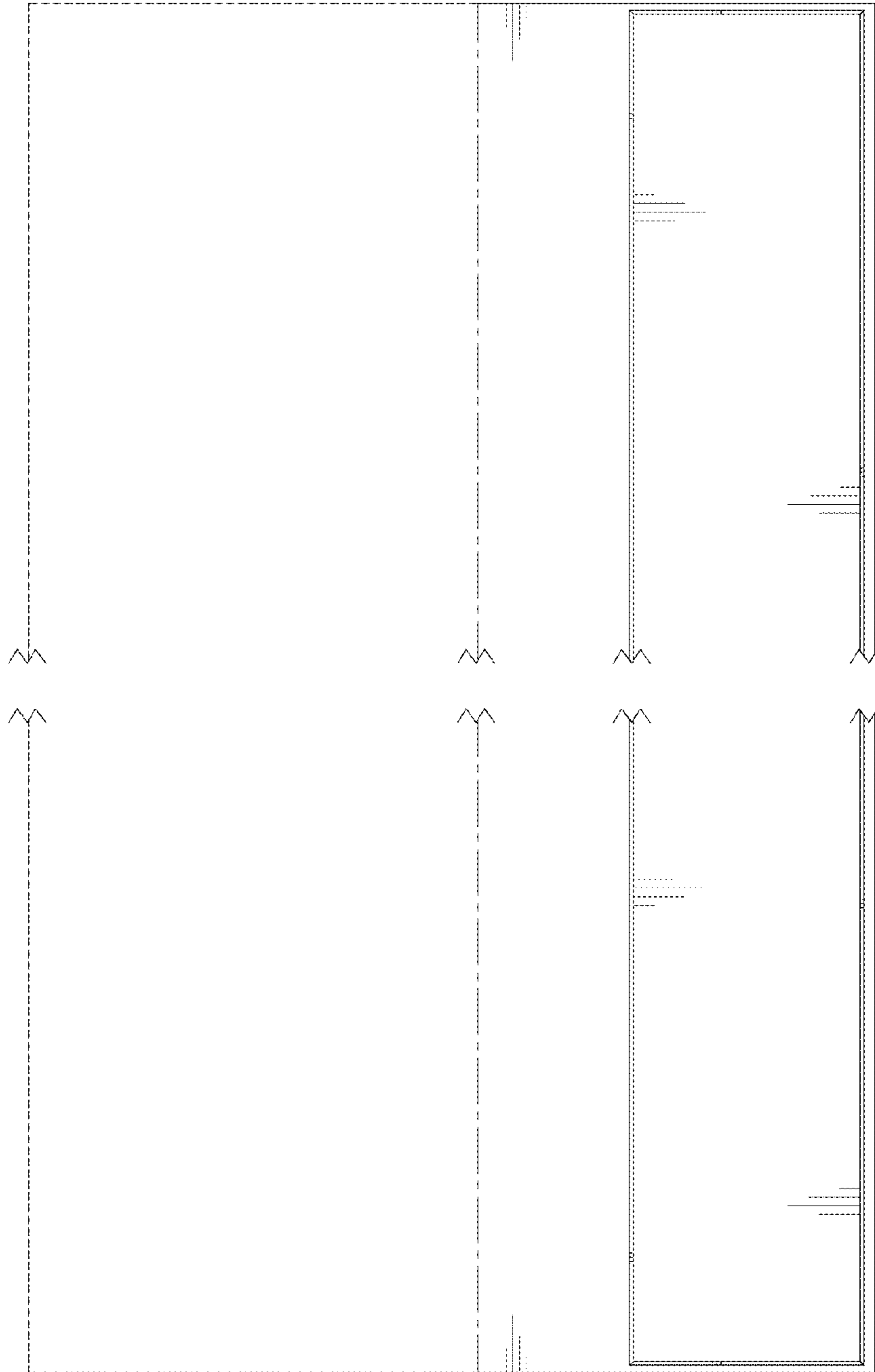


FIG. 7

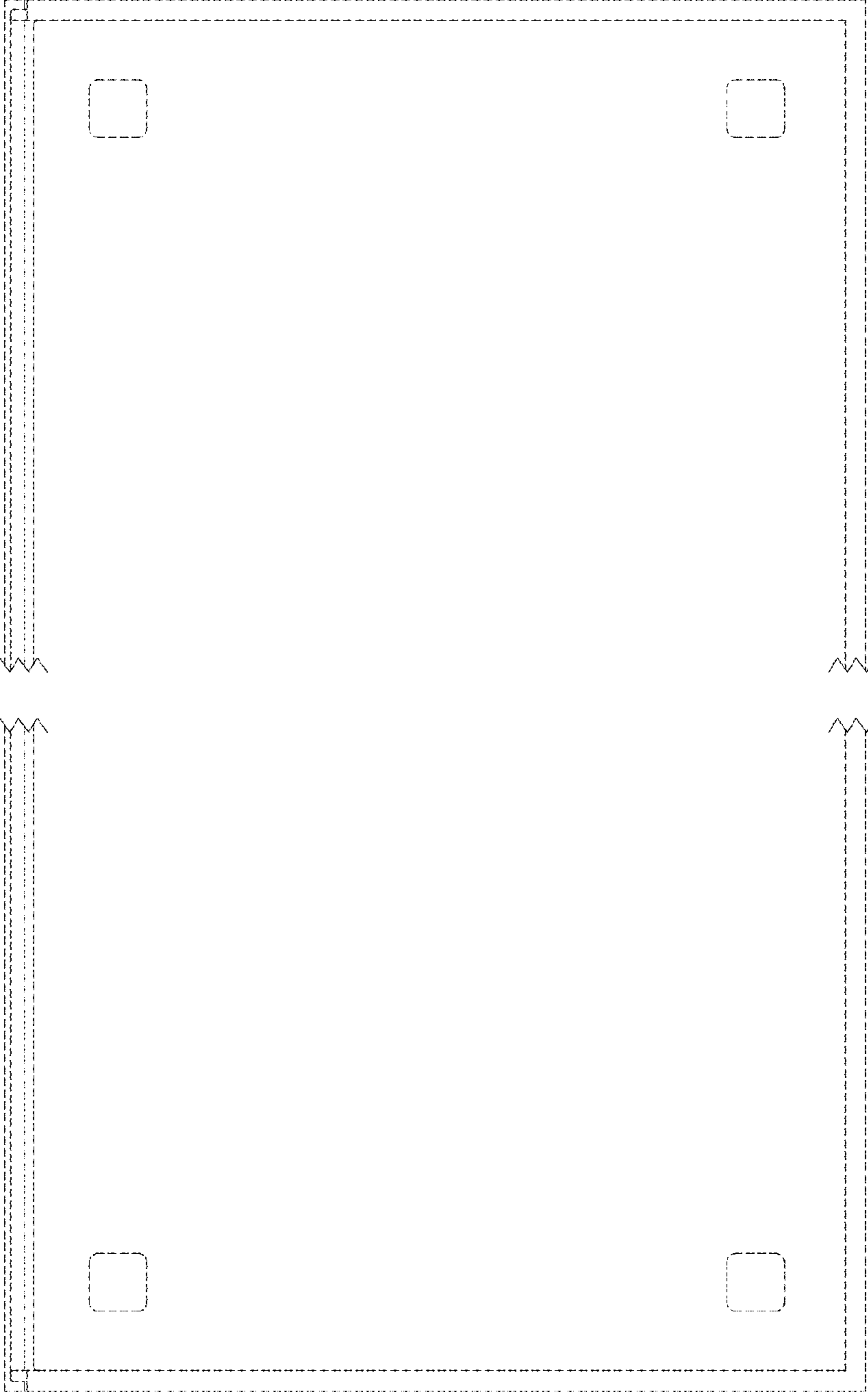


FIG. 8

