



US00D765165S

(12) **United States Design Patent**  
**Kim et al.**

(10) **Patent No.:** **US D765,165 S**

(45) **Date of Patent:** **\*\* Aug. 30, 2016**

(54) **FINISHER FOR MULTI-FUNCTION  
PRINTER**

(71) Applicant: **Samsung Electronics Co., Ltd.**,  
Suwon-si (KR)

(72) Inventors: **Kyong-Hwan Kim**, Seoul (KR); **Isogai  
Yoshitaka**, Seongnam-si (KR);  
**Tae-Kung Park**, Goyang-si (KR)

(73) Assignee: **Samsung Electronics Co., Ltd.**,  
Suwon-si (KR)

(\*\*) Term: **14 Years**

(21) Appl. No.: **29/518,795**

(22) Filed: **Feb. 27, 2015**

(30) **Foreign Application Priority Data**

Sep. 3, 2014 (KR) ..... 30-2014-0043183

(51) **LOC (10) Cl.** ..... **18-99**

(52) **U.S. Cl.**  
USPC ..... **D18/47**

(58) **Field of Classification Search**  
USPC ..... D18/36-41, 44-56; D14/462-471;  
271/3.14, 8.1, 226, 278; 355/72, 97,  
355/99; 399/1-7, 16, 75, 81, 107, 130, 151,  
399/361, 365, 367, 381-383, 388  
CPC ..... B65H 11/00; B65H 11/002; B65H  
2301/331; B65H 29/46; G03B 27/04; G03B  
27/08; G03B 27/14; G03B 27/16; G03G  
15/04; G03G 15/23; G03G 15/28; G03G  
15/50; G03G 15/60; G03G 15/65; G03G  
15/221; G03G 15/5075; G03G 15/6558;  
H04N 1/00602; H04N 1/00631  
See application file for complete search history.

(56) **References Cited**

U.S. PATENT DOCUMENTS

D373,786 S \* 9/1996 Kondo ..... D18/36  
D373,789 S \* 9/1996 Narushima ..... D18/48

D403,349 S \* 12/1998 Hirose ..... D18/46  
D421,044 S \* 2/2000 Komatsu ..... D18/47  
D438,239 S \* 2/2001 Agata ..... D18/47  
6,226,471 B1 \* 5/2001 Tsuzuki ..... G03G 15/50  
399/43  
D451,128 S \* 11/2001 Ortiz ..... D18/47  
D462,380 S \* 9/2002 Ortiz ..... D18/47  
D555,719 S \* 11/2007 Ishio ..... D18/47  
D558,259 S \* 12/2007 Kohno ..... D18/47  
D577,763 S \* 9/2008 Hidaka et al.  
D578,154 S \* 10/2008 Isogai ..... D18/40  
D579,485 S \* 10/2008 Ishio ..... D18/47  
D665,012 S \* 8/2012 Saito et al.  
D752,681 S \* 3/2016 Chung ..... D18/53

**OTHER PUBLICATIONS**

specout. "Ricoh Aficio MP C300". [2015] <www.specout.com>  
<http://printers.specout.com/1/274/Ricoh-Aficio-MP-C300>.

\* cited by examiner

*Primary Examiner* — Philip S Hyder

*Assistant Examiner* — Ramzi Almatrahi

(74) *Attorney, Agent, or Firm* — NSIP Law

(57) **CLAIM**

We claim the ornamental design for a finisher for multi-  
function printer, as shown and described.

**DESCRIPTION**

FIG. 1 is a top, front and right side perspective view of a  
finisher for multi-function printer showing our new design;  
FIG. 2 is a front view thereof;  
FIG. 3 is a rear view thereof;  
FIG. 4 is a left-side view thereof;  
FIG. 5 is a right-side view thereof;  
FIG. 6 is a top view thereof;  
FIG. 7 is a bottom view thereof; and,  
FIG. 8 is a top, front and left side perspective view thereof.  
The broken lines in the figures show portions of the finisher  
for multi-function printer which form no part of the claimed  
design.

**1 Claim, 8 Drawing Sheets**

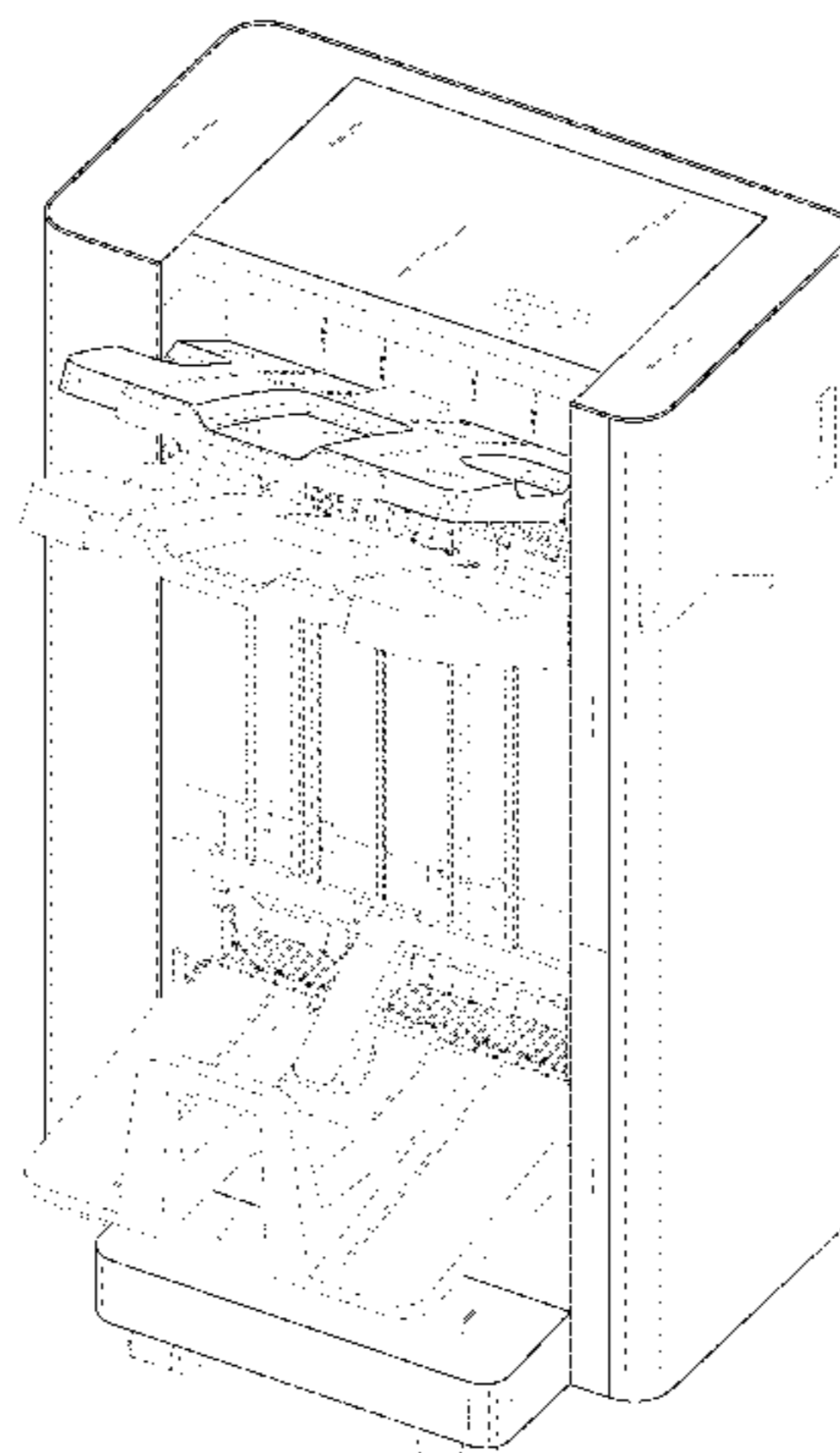
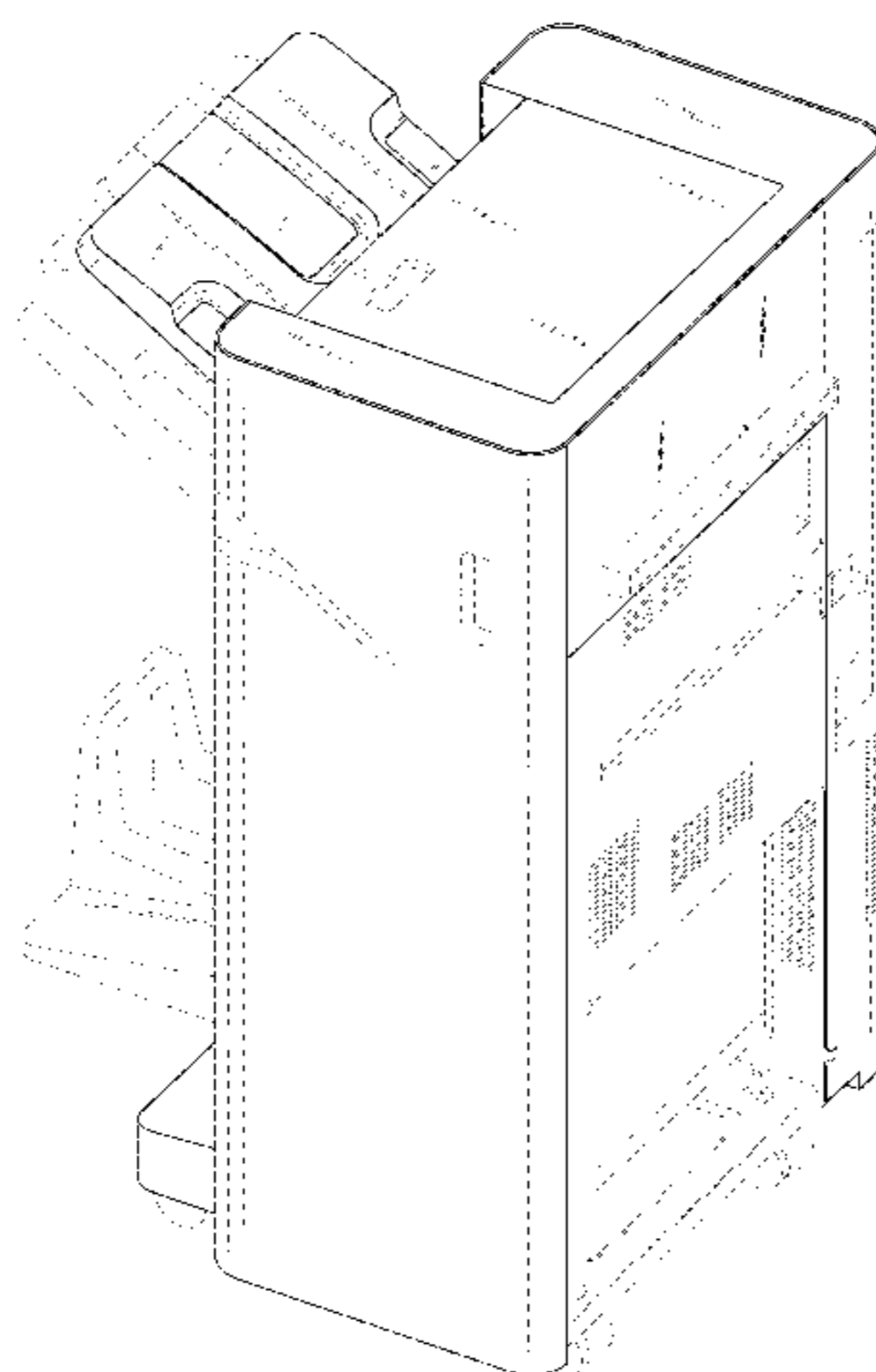


FIG.1

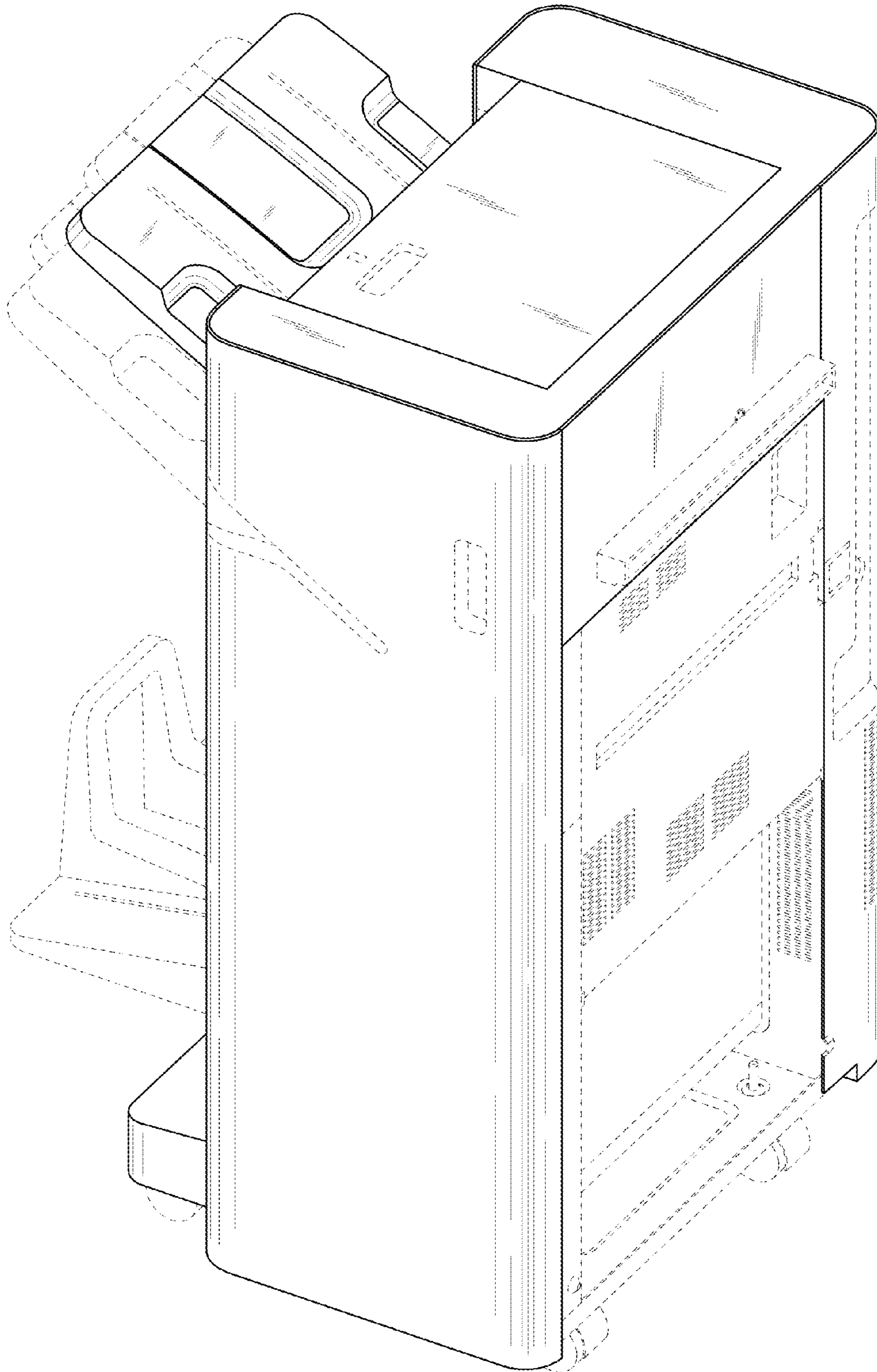


FIG.2

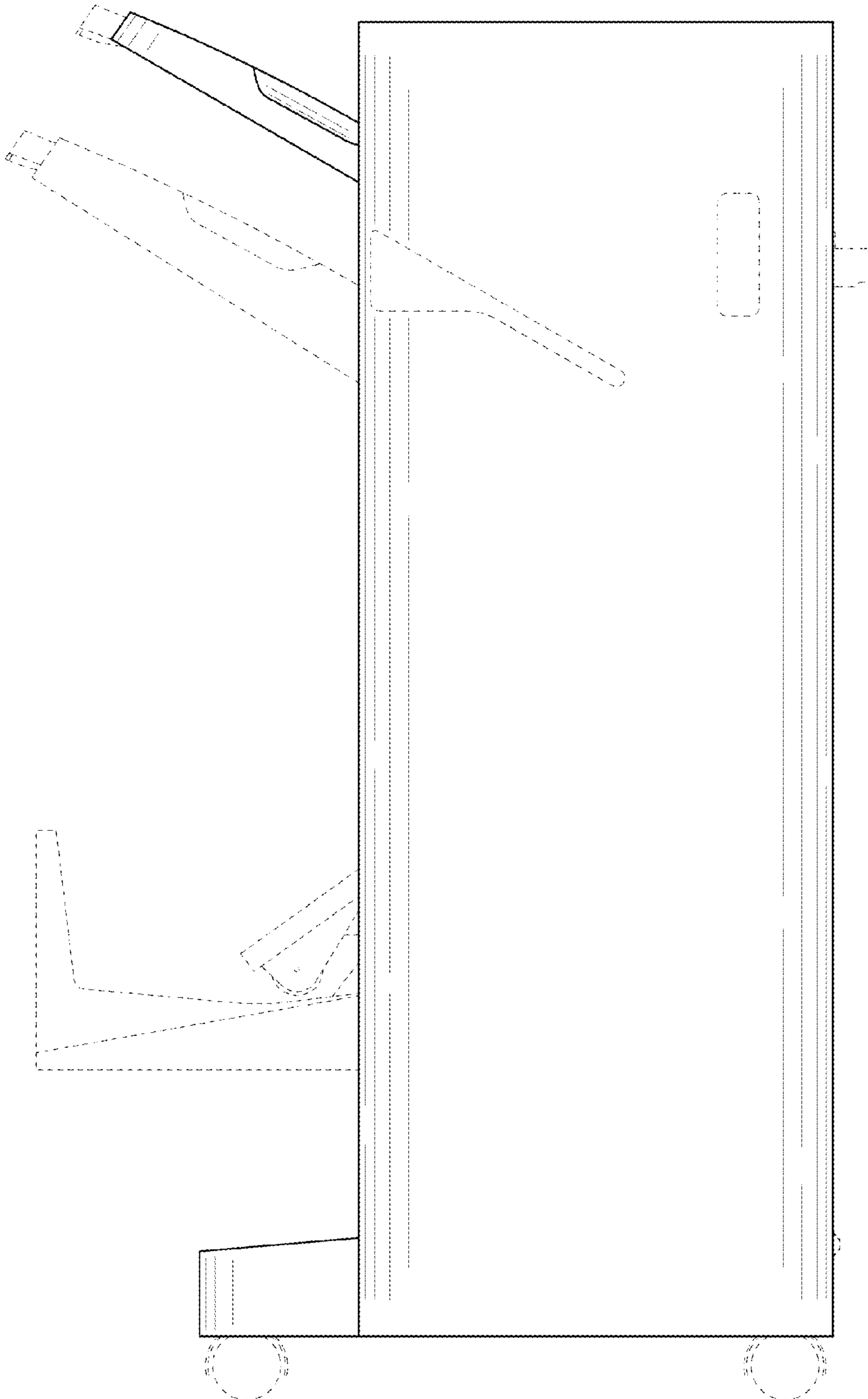


FIG.3

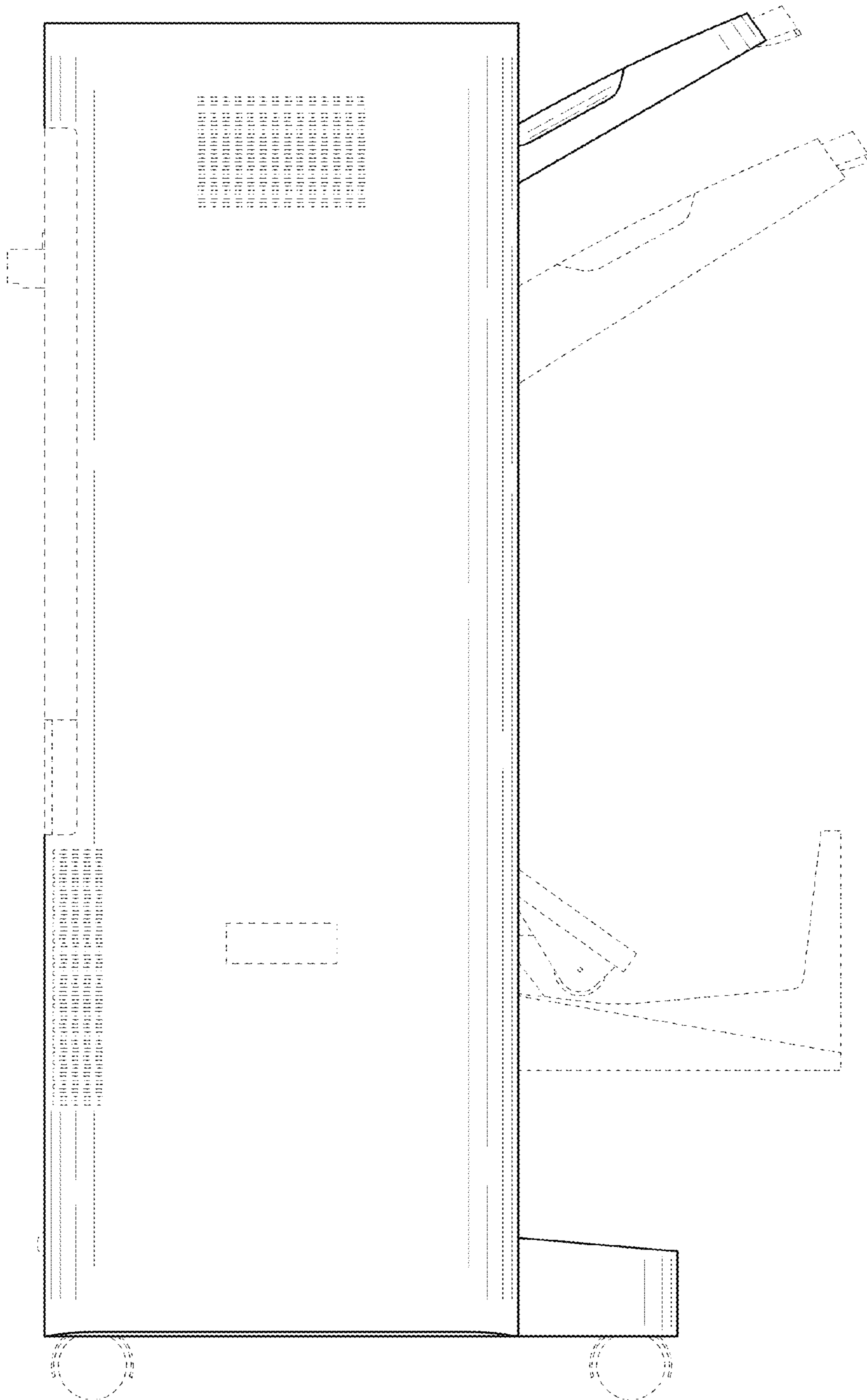




FIG.4

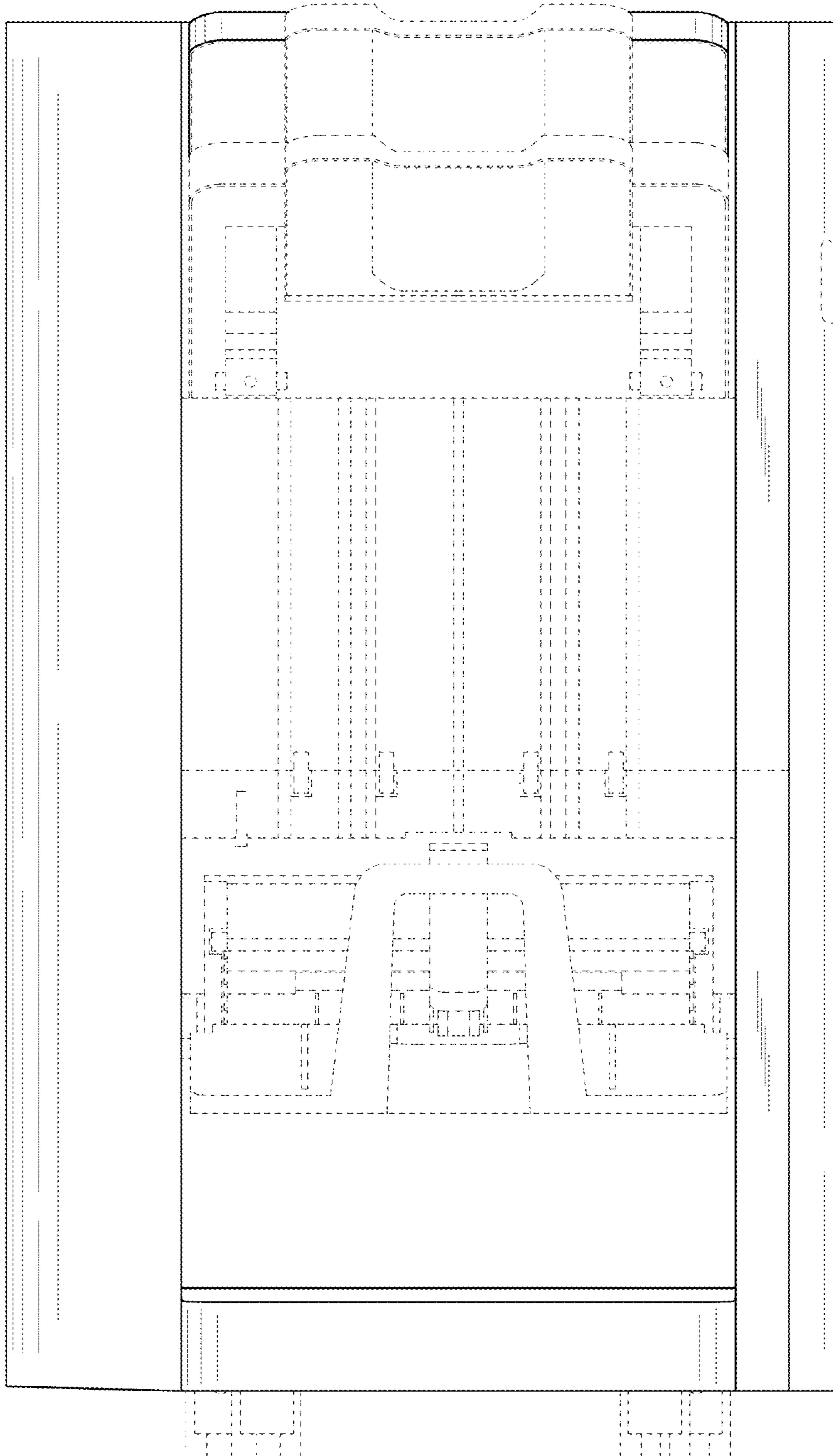


FIG.5

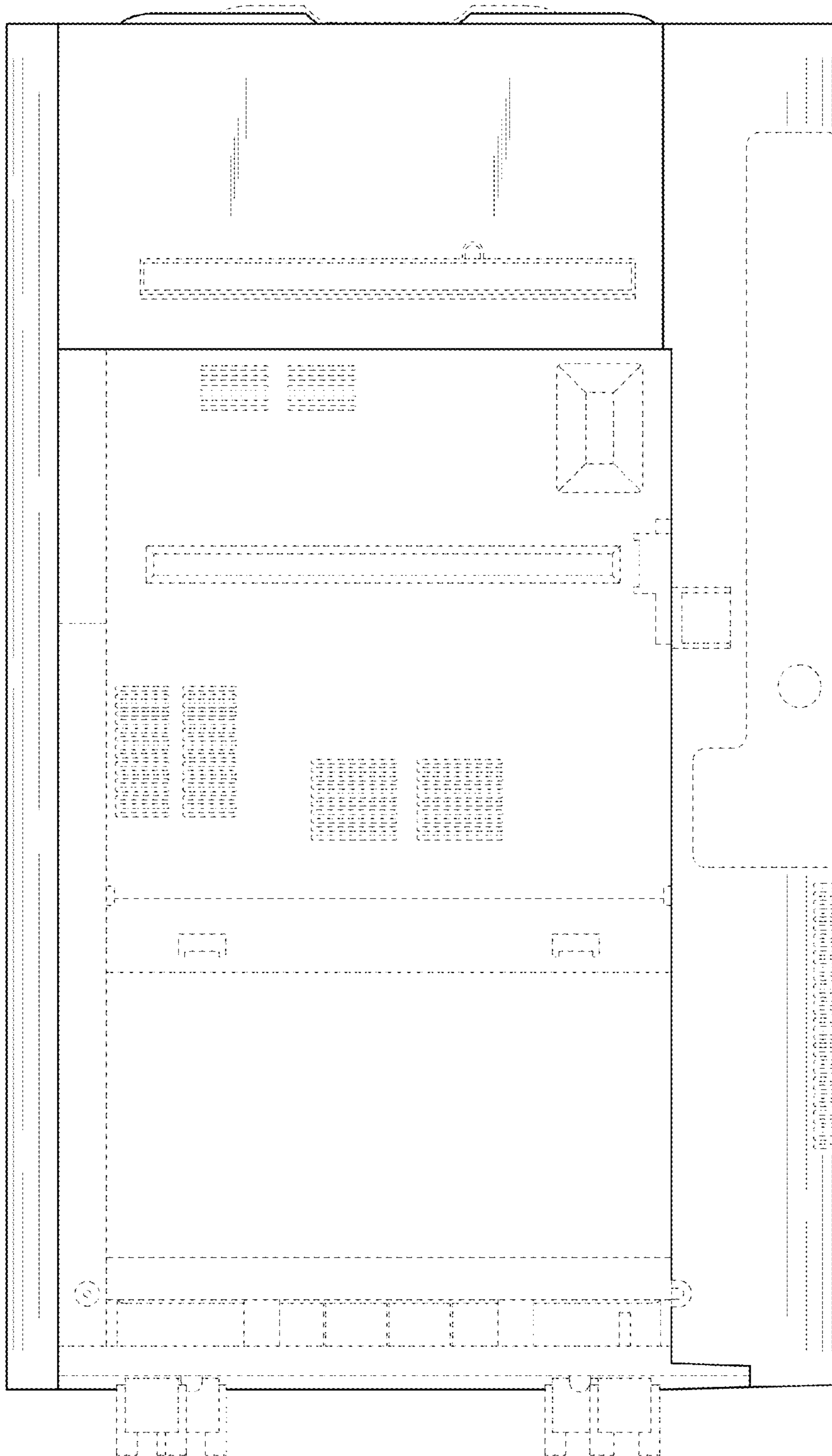


FIG.6

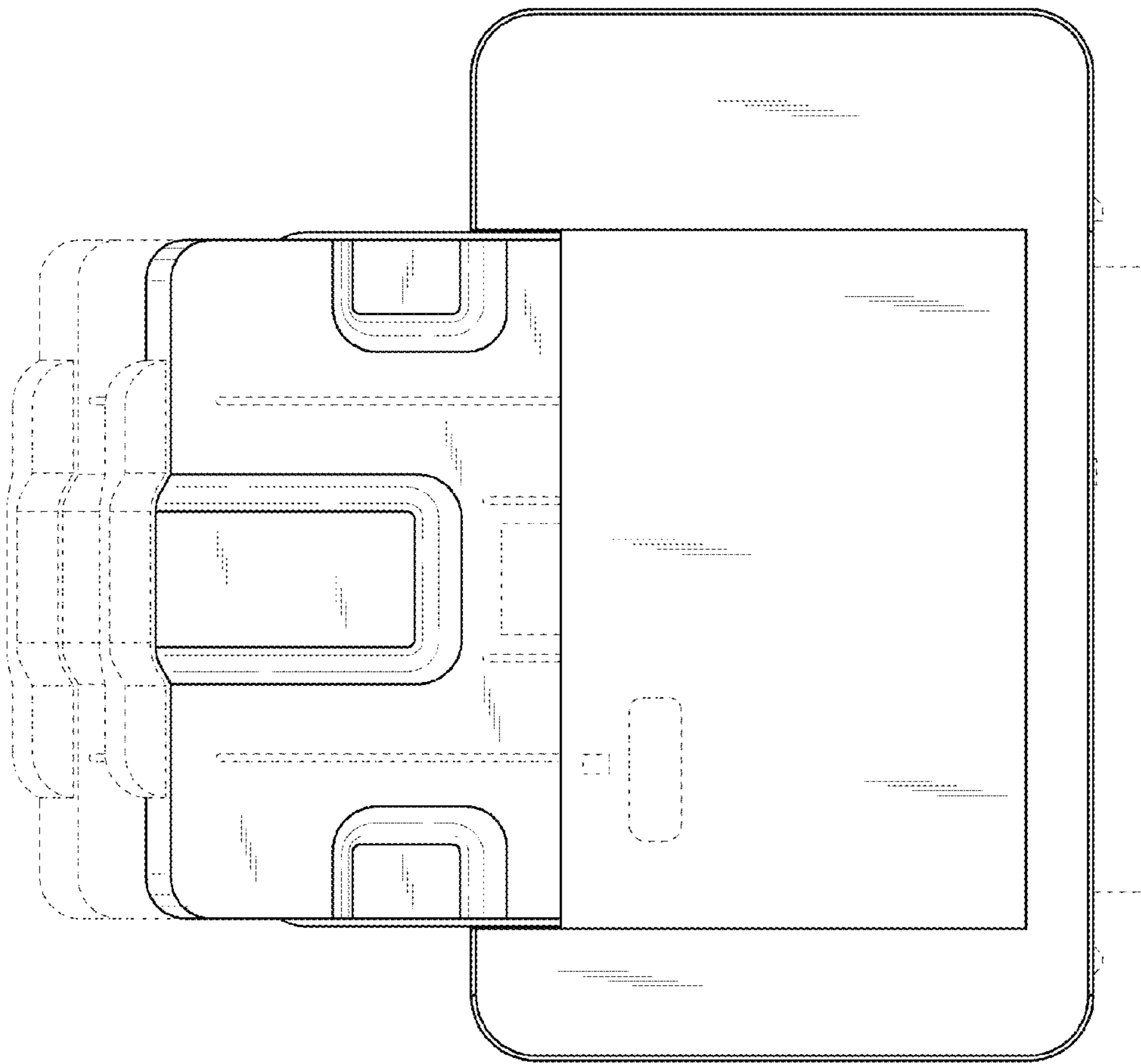


FIG.7

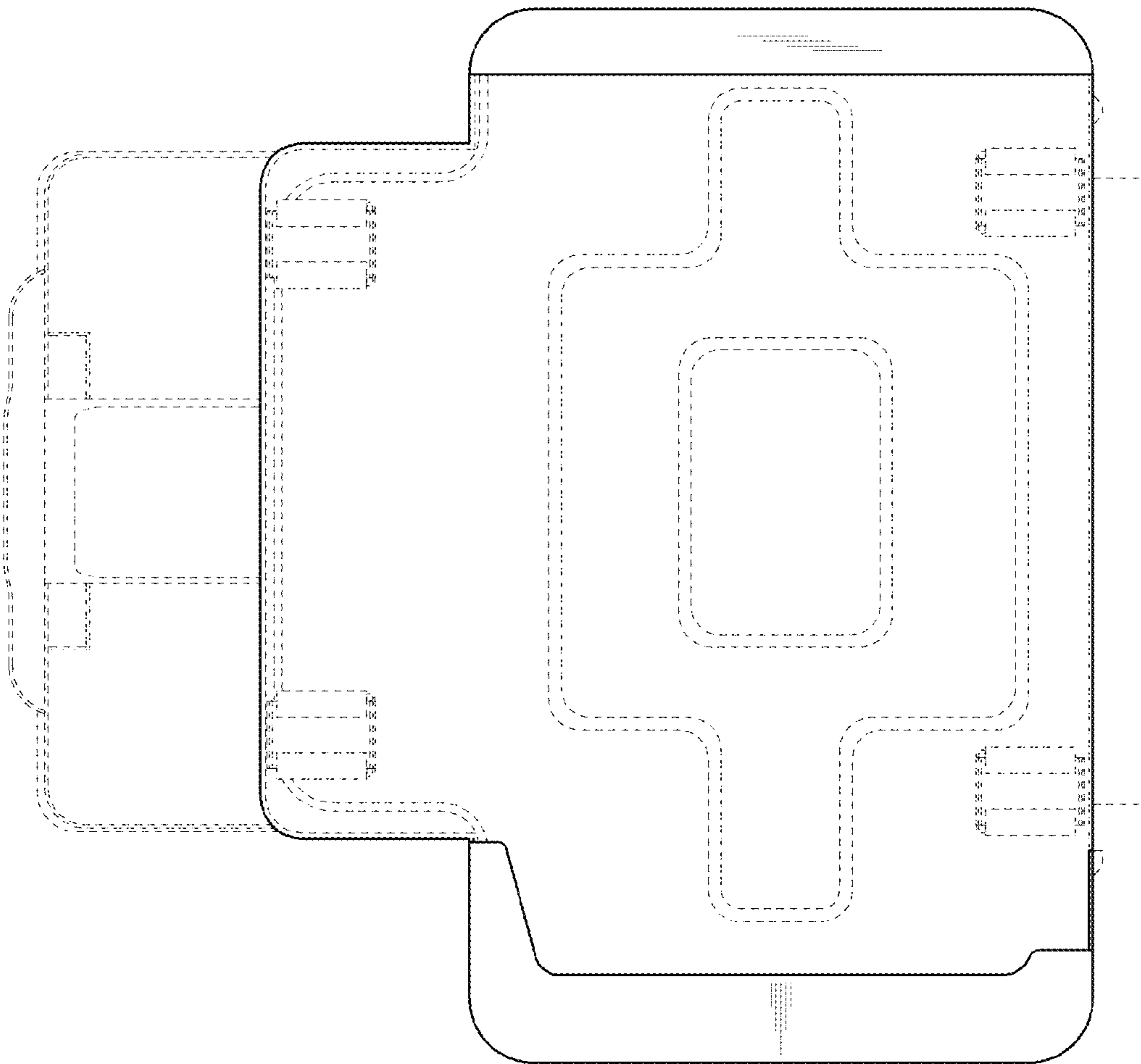




FIG.8

